

REVISIONS			
DATE	DESCRIPTION	DATE	DESCRIPTION

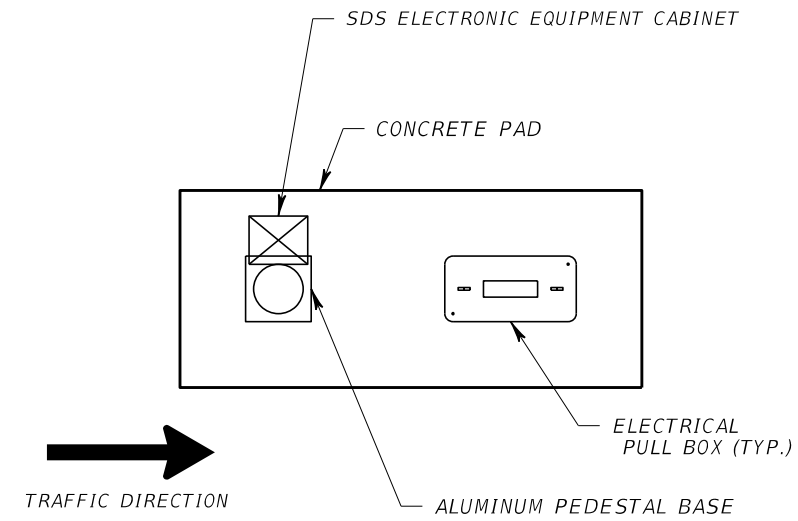
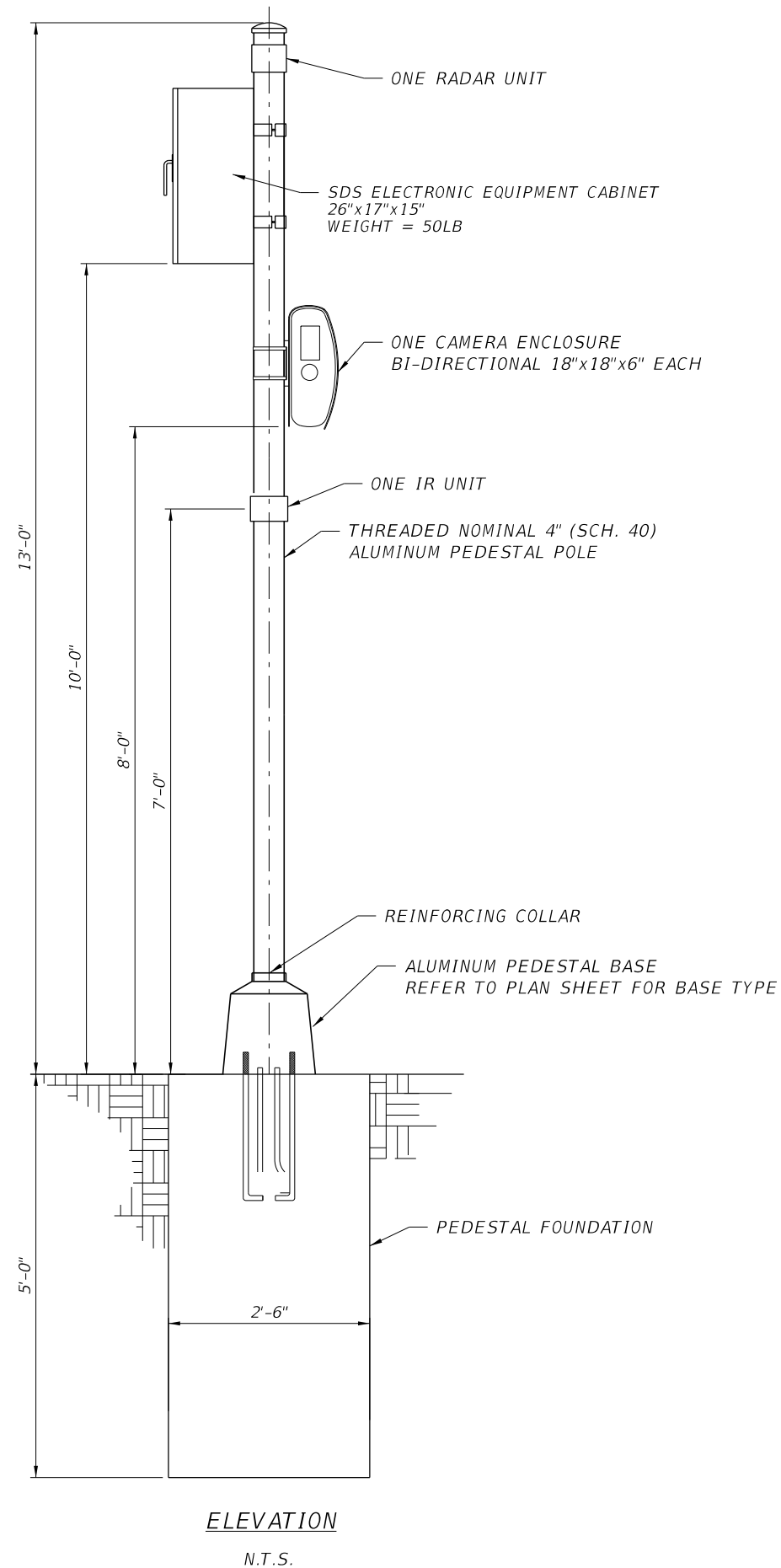
CALTRAN ENGINEERING GROUP, INC.
790 NW 107 AVENUE, SUITE 200
MIAMI, FLORIDA 33172
PHONE: (786) 456-7700 FAX: (786) 513-0711
CERTIFICATE OF AUTHORIZATION NO.: 29379
ENGINEER OF RECORD: JUAN S. CALDERON, P.E., PTOE
P.E. LICENSE NO.: 58569

HILLSBOROUGH COUNTY DOROTHY THOMAS EXCEPTIONAL CENTER		
ROAD NO.	COUNTY	FINANCIAL PROJECT ID

POLE ELECTRICAL DETAIL

SHEET NO.

T-10



CONCRETE SLAB DETAIL
ON GRASS
N.T.S.

MASH TESTING CAMERA
ASSEMBLY DETAILS

REVISIONS

No.	DESCRIPTION	DATE	BY

APPROVALS

E.O.R.: A.E.	DRAWN: N.T.
DSG.: A.E.	
SR. PROG. MGR.: --	
ENG. HEAD: --	
CONST. HEAD: --	

FILE NAME: SRPT1105.DWG

DATE: 3/19/2026 SCALE: AS NOTED

SHEET SD-01

DWG. No.

NTS

Attention is directed to the fact that these plans may have been reduced in size by reproduction. This must be considered when obtaining scaled data.