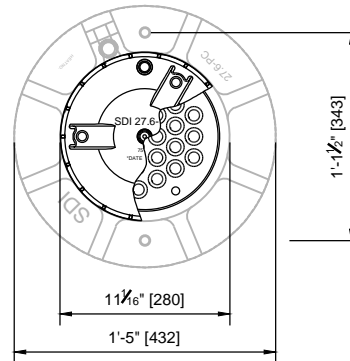


ITEM	PART NUMBER	DRAWING	DESCRIPTION	MATERIAL
1	71012	SDI-HD-061	SDI 27.6 ANCHOR HEAD	ASTM A 536 GR. 80-55-06
2	72009	SDI-HD-062	SDI 27.6-PC BEARING PLATE	ASTM A 536 GR. 80-55-06 (GALVANIZED)
3	76011	SDI-HD-236	O-RING SEAL	BUNA-N PER ASTM D2240, & D412
4	73006	SDI-HD-063	SDI 27.6 TRUMPET	HIGH DENSITY POLYETHYLENE PER ASTM D3350
5	74016	SDI-HD-164	STANDARD 27.6-PC6 SPIRAL	GRADE 60 STEEL PER ASTM A815
6	75005	SDI-HD-064	SDI 27.6-PC PERMANENT GROUT CAP	NYLON PER ASTM D5989
7	76005	SDI-HD-236	O-RING SEAL	BUNA-N, PER ASTM D2240, & D412
8	77007	SDI-HD-151	(3) 1/2" x 3" BOLTS & WASHERS	STAINLESS STEEL, TYPE 316
9	76023	SDI-HD-236	O-RING SEAL	BUNA-N, PER ASTM D2240, & D412
10	21001	SDI-HD-148	0.6" STRAND	270KSI STEEL PER ASTM A416, LOW RELAXATION
11	81001	SDI-HD-021	SDI 0.6" STANDARD 2-PART WEDGE	AISI 11L17 OR 12L14
12	32006	SDI-HD-037	4.5" ID (114mm) CORRUGATED DUCT	POLYPROPYLENE PER ASTM D4101
13	33206	SDI-HD-170	4.5" (114mm) SNAP-ON DUCT COUPLER	POLYPROPYLENE PER ASTM D4101
14	33306	SDI-HD-171	4.5" (114mm) SNAP RING	POLYPROPYLENE PER ASTM D4101
15	76017	SDI-HD-236	O-RING SEAL	BUNA-N PER ASTM D2240, & D412
16	33006	SDI-HD-043	4.5" (114mm) SLIP-ON DUCT COUPLER	POLYPROPYLENE PER ASTM D4101
17	37006	SDI-HD-187	HEAT SHRINK TUBING (PLA-125-YE)	ADHESIVE LINED POLYOLEFIN
18	33116	SDI-HD-137	SDI 4.5" COUPLER SLIDE HOUSING	POLYPROPYLENE PER ASTM D4101
19	33118	SDI-HD-140	SDI 4.5" COUPLER SEAL	BUNA-N, PER ASTM D2240, & D412
20	33115	SDI-HD-136	SDI 4.5" COUPLER WELDED HOUSING	POLYPROPYLENE PER ASTM D4101
21	52008	SDI-HD-153	1/2" BALL VALVE (TEMPORARY)	POLYVINYL CHLORIDE
22	53011	SDI-HD-222	1/2" (13mm) NPT COUPLER (TEMPORARY)	POLYPROPYLENE PER ASTM D4101
23	51002	SDI-HD-188	1/2" (13mm) GROUT HOSE	HIGH DENSITY POLYETHYLENE PER ASTM D3350
24	55001	SDI-HD-156	3/4" (23mm) PLUG	POLYPROPYLENE PER ASTM D4101
25	55003	SDI-HD-155	1/2" (13mm) PLUG	POLYPROPYLENE PER ASTM D4101
26	52006	SDI-HD-152	1" BALL VALVE (TEMPORARY)	POLYVINYL CHLORIDE
27	53005	SDI-HD-223	3/4" (23mm) NPT COUPLER (TEMPORARY)	POLYPROPYLENE PER ASTM D4101
28	51001	SDI-HD-189	3/4" (23mm) GROUT HOSE	HIGH DENSITY POLYETHYLENE PER ASTM D3350
29	55004	SDI-HD-257	SDI GROUT PORT PLUG	POLYPROPYLENE PER ASTM D4101
30	57003	SDI-HD-147	3/4" (23mm) WELDABLE GROUT PORT	POLYPROPYLENE PER ASTM D4101
31	0000G	N/A	COMMERCIALLY AVAILABLE/COMPATIBLE LITHIUM GREASE	TEFLON
32	0000T	N/A	TEFLON TAPE (TEMPORARY)	EPOXY
33	0000E	N/A	COMMERCIALLY AVAILABLE/COMPATIBLE EPOXY	LITHIUM

\* ALL NON-FERROUS COMPONENTS CONTAIN VIRGIN MATERIAL.



**STEP-BY-STEP SYSTEM INSTALLATION PROCEDURE**

- STEP 1: HANG BEARING PLATE WITH 2 EACH 1/2" ALL THREAD. PLACE SO GROUT PORT IS IN 11 O'CLOCK OR 12 O'CLOCK POSITION.  
 STEP 2: PLACE O-RING IN LARGE CORRUGATION OF TRUMPET. (SEE NOTE: a)  
 STEP 3: TURN TRUMPET INTO BEARING PLATE AND ENSURE GROUT PORT HOLES LINE UP. USE STRAP WRENCH IF NECESSARY.  
 STEP 4: HANG SPIRAL 1" BEHIND BEARING PLATE. ENSURE SPIRAL IS CONCENTRIC AND PARALLEL TO PATH OF TENDON.  
 STEP 5: CONNECT PIPE TO TRUMPET.  
 IF USING SLIP COUPLER FOR CONNECTION:  
 1. SLIDE SLIP COUPLER OVER TRUMPET AND DUCT.  
 2. INSTALL CORRECT SIZE AND LENGTH OF HEAT SHRINK PER MANUFACTURER'S RECOMMENDATIONS.  
 IF USING SNAP COUPLER FOR CONNECTION:  
 1. PLACE O-RING IN LAST CORRUGATION OF TRUMPET. (SEE NOTE a)  
 2. SLIDE SNAP COUPLER OVER TRUMPET AND DUCT.  
 3. PLACE SNAP RING THROUGH SNAP COUPLER AND INTO SECOND CORRUGATION OF TRUMPET.  
 STEP 7: PERFORM VACUUM TEST PER FDOT 462-8.2.1.2  
 STEP 8: INSTALL STRAND. LEAVE SUFFICIENT STRAND FOR STRESSING EQUIPMENT.  
 STEP 9: PLACE ANCHOR HEAD ENSURE ANCHOR HEAD WEDGE CAVITIES ARE RUST FREE AND CLEAN PRIOR TO WEDGE INSTALLATION.  
 STEP 10: ALIGN ANCHOR HEAD SO THAT TAPPED HOLE IS IN 1 O'CLOCK POSITION. AVOID CROSSING STRANDS.  
 STEP 11: PUSH WEDGES OVER STRAND AND AGAINST INTO THE ANCHOR HEAD WEDGE CAVITIES USING A 3/4" PIPE.  
 STEP 12: STRESS TENDONS AFTER CONCRETE HAS REACHED REQUIRED STRENGTH PER DRAWINGS AND/OR SPECIFICATION.  
 STEP 13: AFTER STRESSING AND APPROVAL FROM OWNERS REPRESENTATIVE, CUT STRAND TAILS 1" FROM FACE OF ANCHOR HEAD.  
 STEP 14: INSTALL VENTS. (SEE NOTE b)  
 STEP 15: INSTALL PERMANENT CAP BY TORQUEING BOLTS IN A STAR PATTERN TO 20 FT-LB. (SEE NOTE c)  
 STEP 16: PERFORM PRESSURE TEST PER FDOT 462-8.2.1.2  
 STEP 17: INSTALL TEMPORARY GROUT INJECTION HARDWARE.  
 STEP 18: INJECT GROUT PER GROUT INJECTION PROCEDURE.  
 STEP 19: REMOVE ALL TEMPORARY HARDWARE ONCE GROUTING PROCEDURE IS COMPLETE AND CAP OR PLUG PORTS PER DRAWINGS.

**NOTES:**

- a. LUBRICATE ALL O-RINGS FOR EASE OF INSTALLATION.
- b. EPOXY IS TO BE USED ON EVERY PERMANENT GROUT HOSE/COUPLER/PLUG THREADS. TEFLON TAPE IS TO BE USED ON EVERY TEMPORARY GROUT HOSE/COUPLER/PLUG THREADS. THREAD INTO ALL CONNECTIONS. DO NOT INJECT THROUGH VENTS.
- c. MAKE SURE O-RING AND WASHER IS INSTALLED WITH GROUT CAP BOLT.
- d. VENTS SHOWN FOR REFERENCE ONLY. FOR ACTUAL LOCATION, SEE PLACING DRAWINGS. VENT CAN BE ORIENTED TO ACT AS DRAIN.
- e. SEE SEGMENT COUPLER INSTALLATION PLAN FOR PARTS AND ASSEMBLY INFORMATION.
- f. FOLLOW BUTT FUSION PROCEDURE FOR ALL BUTT JOINTS PER MANUFACTURER'S INSTALLATION PROCEDURE.
- g. STEP-BY-STEP INSTALLATION PROCEDURE ARE GENERIC, FOLLOW FDOT AND PROJECT SPECIFICATION REQUIREMENTS. REFERENCE FDOT STANDARD PLANS 462-003 FOR POST-TENSIONING ANCHORAGE AND TENDON FILLING DETAIL.
- h. TENDON FILLER MATERIAL IS GROUT.
- i. FOR TENDONS WITHOUT PRECAST SEGMENT JOINTS, SEGMENT COUPLERS SHALL BE OMITTED

THESE DRAWINGS CONTAIN PROPRIETARY INFORMATION RESTRICTED SOLELY FOR USE ON THIS PROJECT. THESE DRAWINGS MAY NOT BE REPRODUCED IN WHOLE OR IN PART, FOR ANY OTHER USE WITHOUT THE EXPRESSED WRITTEN PERMISSION OF SCHWAGER DAVIS INC. (SDI). SDI DOES NOT MAKE ANY JUDGMENT NOR WARRANTY, EXPRESSED OR IMPLIED, AS TO THE ADEQUACY OF THE STRUCTURAL DESIGN BY OTHERS AND HEREBY DISCLAIMS ANY LIABILITY FOR DESIGNS OF OTHERS.

**SCHWAGER DAVIS, INC.**

DESIGN-BUILD CONTRACTOR  
 198 HILLSDALE AVENUE  
 SAN JOSE, CA 95136  
 PHONE: 408.281.9300  
 FAX: 408.281.9301  
 www.schwagerdavis.com



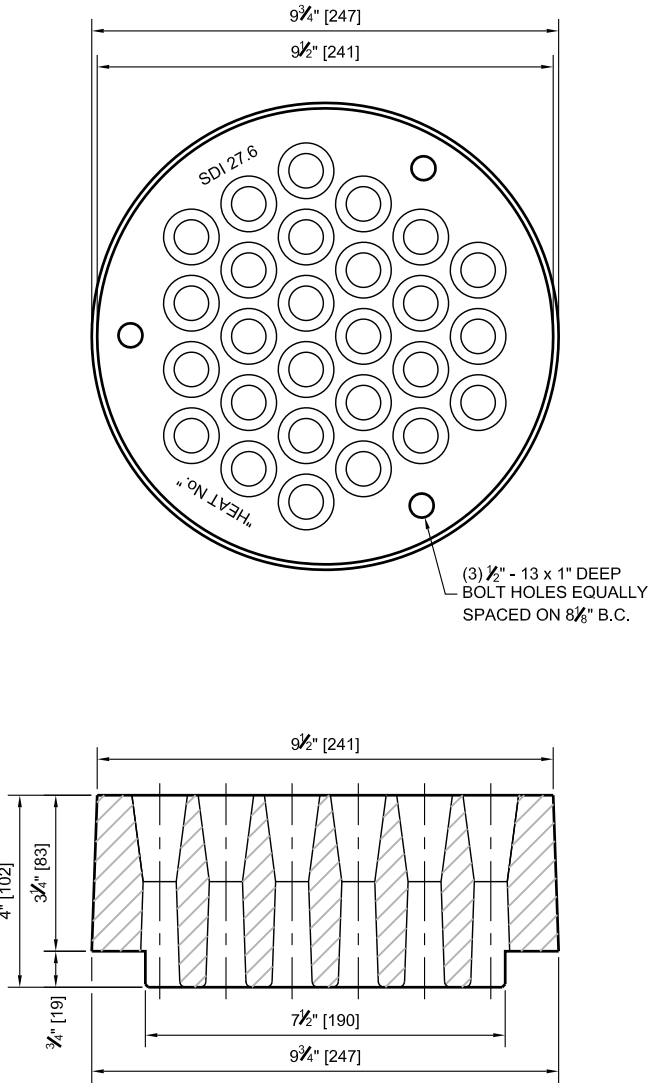
**SCHWAGER DAVIS INC.**

**SDI 27.6-PC INTERNAL BONDED GROUT SYSTEM**

SCHWAGER DAVIS, INC.  
 POST-TENSION SYSTEM LIBRARY

DRAWING No: SDI-HD-350

#	REVISIONS	DRAWN	CHECKED	APPROVED	DATE
0	RELEASE	JSA	MSC	MSC	8/21/18



**SDI 27.6 ANCHOR HEAD**

PART NO.: 71012  
 MATERIAL: ASTM A 536 GR. 80-55-06  
 MATERIAL MEETS ALL SPECIFICATIONS.  
 SCALE: 3" = 1'-0"

THESE DRAWINGS CONTAIN PROPRIETARY INFORMATION RESTRICTED SOLELY FOR USE ON THIS PROJECT. THESE DRAWINGS MAY NOT BE REPRODUCED IN WHOLE OR IN PART, FOR ANY OTHER USE WITHOUT THE EXPRESSED WRITTEN PERMISSION OF SCHWAGER DAVIS INC. (SDI). SDI DOES NOT MAKE ANY JUDGMENT NOR WARRANTY, EXPRESSED OR IMPLIED, AS TO THE ADEQUACY OF THE STRUCTURAL DESIGN BY OTHERS AND HEREBY DISCLAIMS ANY LIABILITY FOR DESIGNS OF OTHERS.

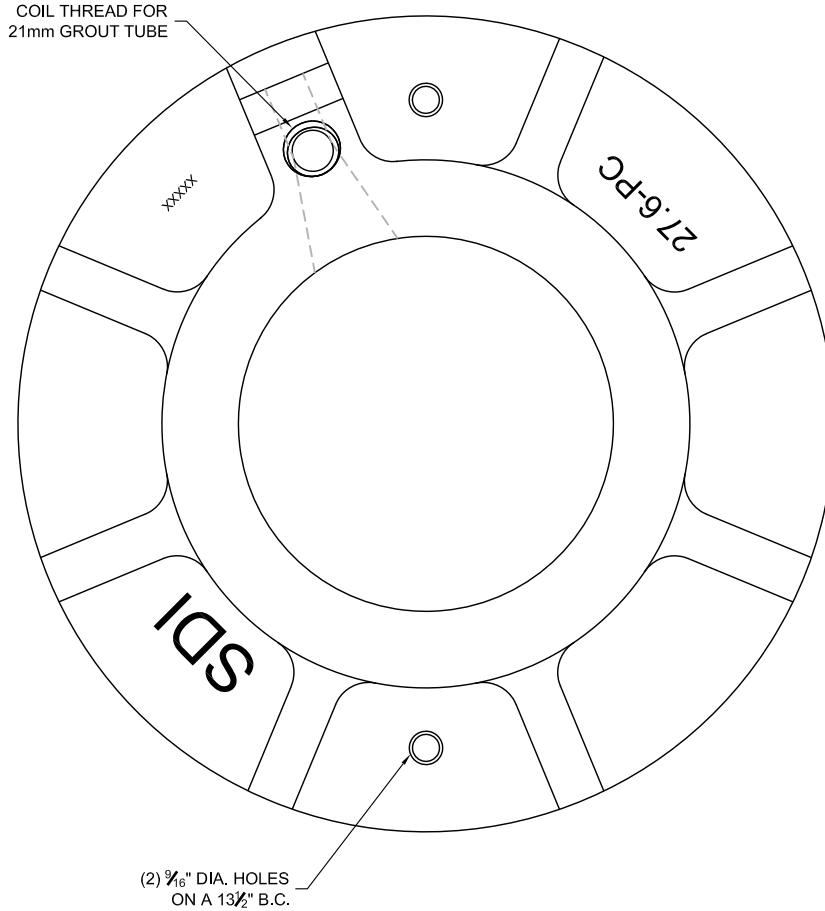
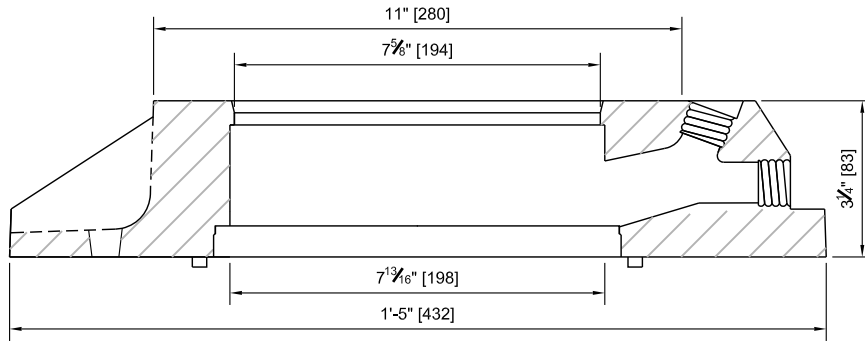
SDI 27.6 ANCHOR HEAD



SCHWAGER DAVIS, INC.  
 DESIGN-BUILD CONTRACTOR  
 198 HILLSDALE AVENUE  
 SAN JOSE, CA 95136  
 PHONE: 408.281.9300  
 FAX: 408.281.9301  
 www.schwagerdavis.com

DRAWING No: SDI-HD-061					
#	REVISIONS	DRAWN	CHECKED	APPROVED	DATE
0	RELEASE	THT	MCS	MCS	12/29/11
1	UPDATE	CSM	MSC	MSC	05/26/15

SCHWAGER DAVIS, INC.  
 POST-TENSION  
 SYSTEM LIBRARY



### SDI 27.6-PC BEARING PLATE

PART NO.: 72009  
 MATERIAL: ASTM A 536 GR. 80-55-06 (GALVANIZED)  
 MATERIAL MEETS ALL SPECIFICATIONS.  
 SCALE: 3" = 1'-0"

THESE DRAWINGS CONTAIN PROPRIETARY INFORMATION RESTRICTED SOLELY FOR USE ON THIS PROJECT. THESE DRAWINGS MAY NOT BE REPRODUCED IN WHOLE OR IN PART. FOR ANY OTHER USE WITHOUT THE EXPRESSED WRITTEN PERMISSION OF SCHWAGER DAVIS INC. (SDI). SDI DOES NOT MAKE ANY JUDGMENT NOR WARRANTY, EXPRESSED OR IMPLIED, AS TO THE ADEQUACY OF THE STRUCTURAL DESIGN BY OTHERS AND HEREBY DISCLAIMS ANY LIABILITY FOR DESIGNS OF OTHERS.

SDI 27.6-PC  
 BEARING PLATE

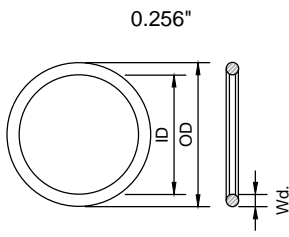
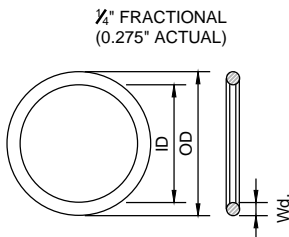
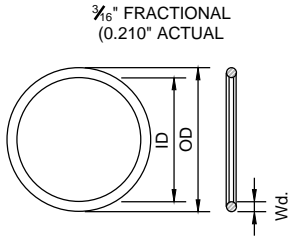
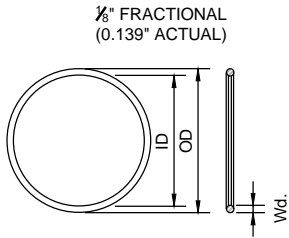
---

SCHWAGER DAVIS, INC.  
 POST-TENSION  
 SYSTEM LIBRARY



SCHWAGER DAVIS, INC.  
 DESIGN-BUILD CONTRACTOR  
 198 HILLSDALE AVENUE  
 SAN JOSE, CA 95136  
 PHONE: 408.281.9300  
 FAX: 408.281.9301  
 www.schwagerdavis.com

DRAWING No: SDI-HD-062					
#	REVISIONS	DRAWN	CHECKED	APPROVED	DATE
0	RELEASE	THT	MCS	MCS	12/29/11
1	UPDATE	CSM	MSC	MSC	05/26/15



PART NO.	DASH NO.	FRACTIONAL SIZE, ID x OD	ACTUAL SIZE ID x OD	WIDTH	DUROMETER
76022	2-204	3/8" x 5/8"	0.359" x 0.637"	1/8" FRACTIONAL (0.139" ACTUAL)	70
76023	2-206	1/2" x 3/4"	0.484" x 0.762"	1/8" FRACTIONAL (0.139" ACTUAL)	70
76019	2-339	3/4" x 5/8"	3.225" x 3.645"	3/16" FRACTIONAL (0.210" ACTUAL)	70
76014	2-407	2 1/4" x 2 3/4"	2.225" x 2.775"	1/4" FRACTIONAL (0.275" ACTUAL)	70
76016	2-415	3 1/4" x 3 3/4"	3.225" x 3.775"	1/4" FRACTIONAL (0.275" ACTUAL)	70
76017	2-422	4 1/8" x 4 3/8"	4.100" x 4.650"	1/4" FRACTIONAL (0.275" ACTUAL)	70
76018	2-427	4 3/4" x 5 1/4"	4.725" x 5.275"	1/4" FRACTIONAL (0.275" ACTUAL)	70
76025	2-432	5 3/8" x 5 7/8"	5.350" x 5.900"	1/4" FRACTIONAL (0.275" ACTUAL)	70
76008	2-435	5 3/4" x 6 1/4"	5.725" x 6.275"	1/4" FRACTIONAL (0.275" ACTUAL)	40
76009	2-440	6 3/4" x 7 1/4"	6.725" x 7.275"	1/4" FRACTIONAL (0.275" ACTUAL)	40
76010	2-442	7 1/4" x 7 3/4"	7.225" x 7.775"	1/4" FRACTIONAL (0.275" ACTUAL)	40
76002	2-444	7 3/4" x 8 1/4"	7.725" x 8.275"	1/4" FRACTIONAL (0.275" ACTUAL)	70
76011	2-445	8" x 8 1/2"	7.975" x 8.525"	1/4" FRACTIONAL (0.275" ACTUAL)	40
76026	2-446	8 1/2" x 9"	8.475" x 9.025"	1/4" FRACTIONAL (0.275" ACTUAL)	40
76004	2-448	9 1/2" x 10"	9.475" x 10.025"	1/4" FRACTIONAL (0.275" ACTUAL)	70
76024	2-452	11 1/2" x 12"	11.475" x 12.025"	1/4" FRACTIONAL (0.275" ACTUAL)	70
76003	CUSTOM	-	8.747" x 9.259"	0.256"	70
76005	CUSTOM	-	10.226" x 10.738"	0.256"	70
76029	2-228	2 1/4" x 2 1/2"	2.250" x 2.500"	9/64" FRACTIONAL (0.139" ACTUAL)	70
76030	2-425	4 1/2" x 5"	4.475" x 5"	1/4" FRACTIONAL (0.275" ACTUAL)	70

### STANDARD O-RINGS

MATERIAL: BUNA-N  
MATERIAL MEETS ALL SPECIFICATIONS.

THESE DRAWINGS CONTAIN PROPRIETARY INFORMATION RESTRICTED SOLELY FOR USE ON THIS PROJECT. THESE DRAWINGS MAY NOT BE REPRODUCED IN WHOLE OR IN PART, FOR ANY OTHER USE WITHOUT THE EXPRESSED WRITTEN PERMISSION OF SCHWAGER DAVIS INC. (SDI). SDI DOES NOT MAKE ANY JUDGMENT NOR WARRANTY, EXPRESSED OR IMPLIED, AS TO THE ADEQUACY OF THE STRUCTURAL DESIGN BY OTHERS AND HEREBY DISCLAIMS ANY LIABILITY FOR DESIGNS OF OTHERS.

STANDARD O-RINGS

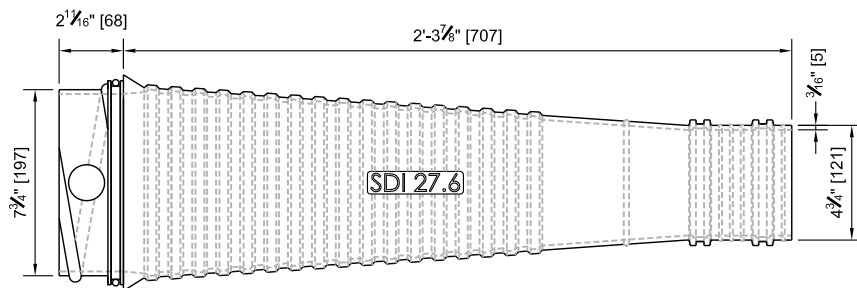
SCHWAGER DAVIS, INC.  
POST-TENSION  
SYSTEM LIBRARY



SCHWAGER DAVIS, INC.  
DESIGN-BUILD CONTRACTOR  
198 HILLSDALE AVENUE  
SAN JOSE, CA 95136  
PHONE: 408.281.9300  
FAX: 408.281.9301  
www.schwagerdavis.com

DRAWING No: SDI-HD-236

#	REVISIONS	DRAWN	CHECKED	APPROVED	DATE
0	RELEASE	MHA	MSC	MSC	01/15/15
1	UPDATE	CSM	MSC	MSC	05/26/15
2	UPDATE	CSM	MSC	MSC	06/07/16
3	UPDATE	JSA	MSC	MSC	06/20/18



### SDI 27.6 TRUMPET

PART NO.: 73006  
 MATERIAL: HDPE  
 MATERIAL MEETS ALL SPECIFICATIONS.  
 SCALE: 1-1/2" = 1'-0"

THESE DRAWINGS CONTAIN PROPRIETARY INFORMATION RESTRICTED SOLELY FOR USE ON THIS PROJECT. THESE DRAWINGS MAY NOT BE REPRODUCED IN WHOLE OR IN PART, FOR ANY OTHER USE WITHOUT THE EXPRESSED WRITTEN PERMISSION OF SCHWAGER DAVIS INC. (SDI). SDI DOES NOT MAKE ANY JUDGMENT NOR WARRANTY, EXPRESSED OR IMPLIED, AS TO THE ADEQUACY OF THE STRUCTURAL DESIGN BY OTHERS AND HEREBY DISCLAIMS ANY LIABILITY FOR DESIGNS OF OTHERS.

SDI 27.6 TRUMPET

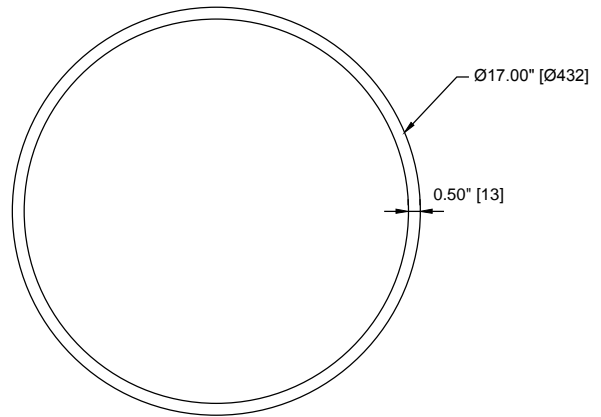
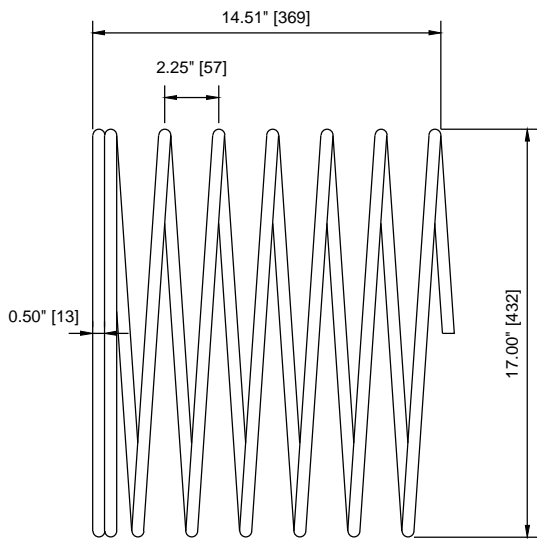
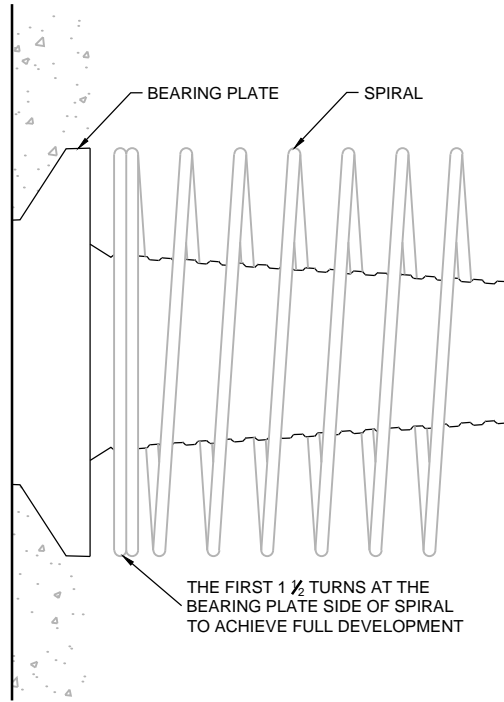
---

SCHWAGER DAVIS, INC.  
 POST-TENSION  
 SYSTEM LIBRARY



SCHWAGER DAVIS, INC.  
 DESIGN-BUILD CONTRACTOR  
 198 HILLSDALE AVENUE  
 SAN JOSE, CA 95136  
 PHONE: 408.281.9300  
 FAX: 408.281.9301  
 www.schwagerdavis.com

DRAWING No: SDI-HD-063					
#	REVISIONS	DRAWN	CHECKED	APPROVED	DATE
0	RELEASE	THT	MCS	MCS	12/29/11
1	UPDATE	CSM	MSC	MSC	05/26/15



### SDI 27.6-PC6 SPIRAL

PART NO.: 74016  
 MATERIAL: GRADE 60 STEEL ACCORDING TO ASTM A615  
 #4 REBAR - 17" O.D.  
 7.7 TURNS AT 2.25" PITCH  
 MATERIAL MEETS ALL SPECIFICATIONS.  
 SCALE: 1-1/2" = 1'-0"

NOTE: PROJECT SPECIFIC REQUIREMENTS WILL SUPERSEDED  
 BURSTING STEEL REQUIREMENTS OF THIS SHEET

\*FOR USE WHEN CONCRETE STRENGTH AT TIME OF  
 STRESSING IS 6,000 PSI OR HIGHER.\*

THESE DRAWINGS CONTAIN PROPRIETARY INFORMATION RESTRICTED SOLELY FOR USE ON THIS PROJECT. THESE DRAWINGS MAY NOT BE REPRODUCED IN WHOLE OR IN PART, FOR ANY OTHER USE WITHOUT THE EXPRESSED WRITTEN PERMISSION OF SCHWAGER DAVIS INC. (SDI). SDI DOES NOT MAKE ANY JUDGMENT NOR WARRANTY, EXPRESSED OR IMPLIED, AS TO THE ADEQUACY OF THE STRUCTURAL DESIGN BY OTHERS AND HEREBY DISCLAIMS ANY LIABILITY FOR DESIGNS OF OTHERS.

SDI 27.6-PC6 SPIRAL

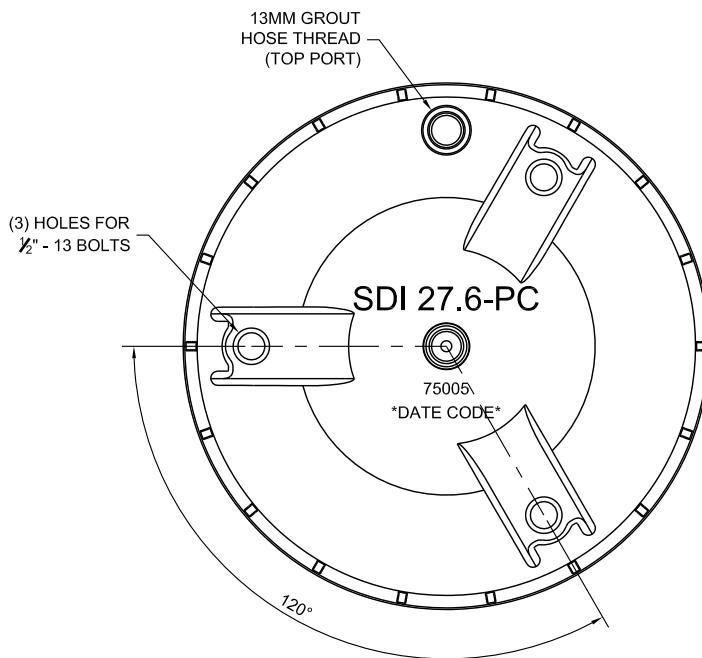
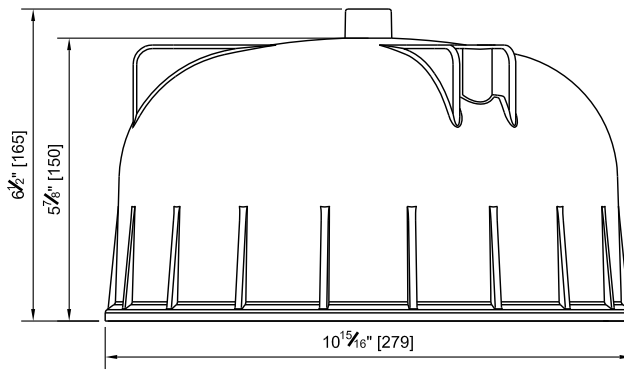
SCHWAGER DAVIS, INC.  
 POST-TENSION  
 SYSTEM LIBRARY



SCHWAGER DAVIS, INC.  
 DESIGN-BUILD CONTRACTOR  
 198 HILLSDALE AVENUE  
 SAN JOSE, CA 95136  
 PHONE: 408.281.9300  
 FAX: 408.281.9301  
 www.schwagerdavis.com

DRAWING No: SDI-HD-164

#	REVISIONS	DRAWN	CHECKED	APPROVED	DATE
0	RELEASE	MHA	MSC	MSC	04/02/14
1	UPDATE	CSM	MSC	MSC	05/26/15
2	UPDATE	JSA	MSC	MSC	08/16/18



### SDI 27.6-PC PERMANENT GROUT CAP

PART NO.: 75005  
 MATERIAL: NYLON 66, 30% GLASS FILLED  
 MATERIAL MEETS ALL SPECIFICATIONS.  
 SCALE: 3" = 1'-0"

THESE DRAWINGS CONTAIN PROPRIETARY INFORMATION RESTRICTED SOLELY FOR USE ON THIS PROJECT. THESE DRAWINGS MAY NOT BE REPRODUCED IN WHOLE OR IN PART, FOR ANY OTHER USE WITHOUT THE EXPRESSED WRITTEN PERMISSION OF SCHWAGER DAVIS INC. (SDI). SDI DOES NOT MAKE ANY JUDGMENT NOR WARRANTY, EXPRESSED OR IMPLIED, AS TO THE ADEQUACY OF THE STRUCTURAL DESIGN BY OTHERS AND HEREBY DISCLAIMS ANY LIABILITY FOR DESIGNS OF OTHERS.

SDI 27.6-PC PERMANENT  
 GROUT CAP

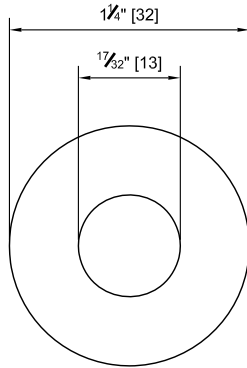
SCHWAGER DAVIS, INC.  
 POST-TENSION  
 SYSTEM LIBRARY



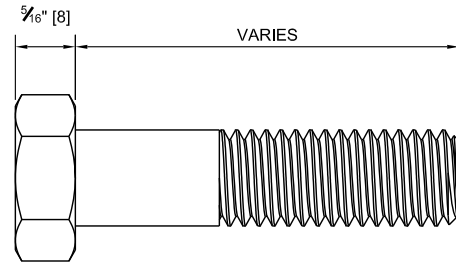
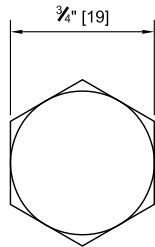
SCHWAGER DAVIS, INC.  
 DESIGN-BUILD CONTRACTOR  
 198 HILLSDALE AVENUE  
 SAN JOSE, CA 95136  
 PHONE: 408.281.9300  
 FAX: 408.281.9301  
 www.schwagerdavis.com

DRAWING No: SDI-HD-064

#	REVISIONS	DRAWN	CHECKED	APPROVED	DATE
1	ORING CALLOUT	THT	MCS	MCS	05/22/12
2	REVISION	THT	MCS	MCS	06/22/12
3	UPDATE	MHA	JMY	JMY	10/13/14
4	UPDATE	CSM	MSC	MSC	05/26/15



WASHER MAY VARY FROM  
0.055" TO 0.069" IN THICKNESS



### 1/2"-13 BOLT & WASHER

PART NO.: 77007 - SDI 27.6-PC PERMANENT CAP BOLTS

77009 - SDI 31.6-PC PERMANENT CAP BOLTS

MATERIAL: STAINLESS STEEL, TYPE 316 ACCORDING TO ASTM F593

MATERIAL MEETS ALL SPECIFICATIONS.

SCALE: 1'-0" = 1'-0"

THESE DRAWINGS CONTAIN PROPRIETARY INFORMATION RESTRICTED SOLELY FOR USE ON THIS PROJECT. THESE DRAWINGS MAY NOT BE REPRODUCED IN WHOLE OR IN PART, FOR ANY OTHER USE WITHOUT THE EXPRESSED WRITTEN PERMISSION OF SCHWAGER DAVIS INC. (SDI). SDI DOES NOT MAKE ANY JUDGMENT NOR WARRANTY, EXPRESSED OR IMPLIED, AS TO THE ADEQUACY OF THE STRUCTURAL DESIGN BY OTHERS AND HEREBY DISCLAIMS ANY LIABILITY FOR DESIGNS OF OTHERS.

1/2"-13 BOLT & WASHER



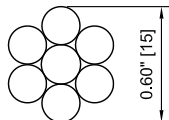
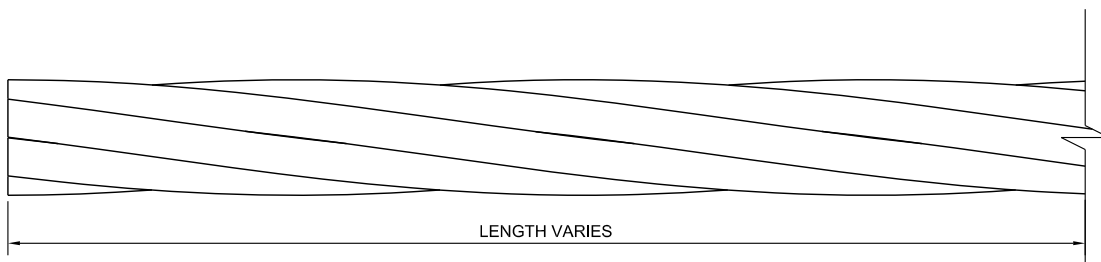
SCHWAGER DAVIS, INC.  
POST-TENSION  
SYSTEM LIBRARY

SCHWAGER DAVIS, INC.  
DESIGN-BUILD CONTRACTOR  
198 HILLSDALE AVENUE  
SAN JOSE, CA 95136  
PHONE: 408.281.9300  
FAX: 408.281.9301  
www.schwagerdavis.com

DRAWING No: SDI-HD-151

#	REVISIONS	DRAWN	CHECKED	APPROVED	DATE
0	RELEASE	MHA	MSC	MSC	04/02/14
1	UPDATE	CSM	MSC	MSC	05/26/15





### 0.6" BARE STRAND

PART NO.: 21001

MATERIAL: 270 KSI LOW RELAXATION STEEL ACCORDING TO ASTM A416

MATERIAL MEETS ALL SPECIFICATIONS.

SCALE: 1'-0" = 1'-0"

THESE DRAWINGS CONTAIN PROPRIETARY INFORMATION RESTRICTED SOLELY FOR USE ON THIS PROJECT. THESE DRAWINGS MAY NOT BE REPRODUCED IN WHOLE OR IN PART, FOR ANY OTHER USE WITHOUT THE EXPRESSED WRITTEN PERMISSION OF SCHWAGER DAVIS INC. (SDI). SDI DOES NOT MAKE ANY JUDGMENT NOR WARRANTY, EXPRESSED OR IMPLIED, AS TO THE ADEQUACY OF THE STRUCTURAL DESIGN BY OTHERS AND HEREBY DISCLAIMS ANY LIABILITY FOR DESIGNS OF OTHERS.

0.6" BARE STRAND

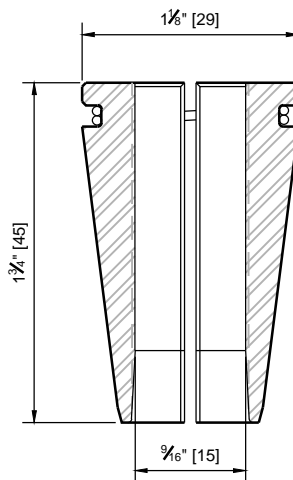
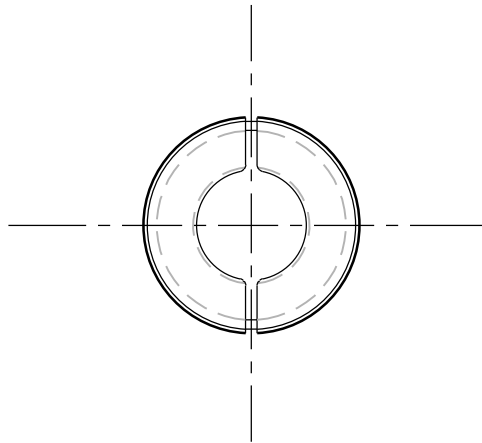
SCHWAGER DAVIS, INC.  
POST-TENSION  
SYSTEM LIBRARY



SCHWAGER DAVIS, INC.  
DESIGN-BUILD CONTRACTOR  
198 HILLSDALE AVENUE  
SAN JOSE, CA 95136  
PHONE: 408.281.9300  
FAX: 408.281.9301  
www.schwagerdavis.com

**DRAWING No: SDI-HD-148**

#	REVISIONS	DRAWN	CHECKED	APPROVED	DATE
0	RELEASE	MHA	MSC	MSC	04/02/14
1	UPDATE	CSM	MSC	MSC	05/26/15

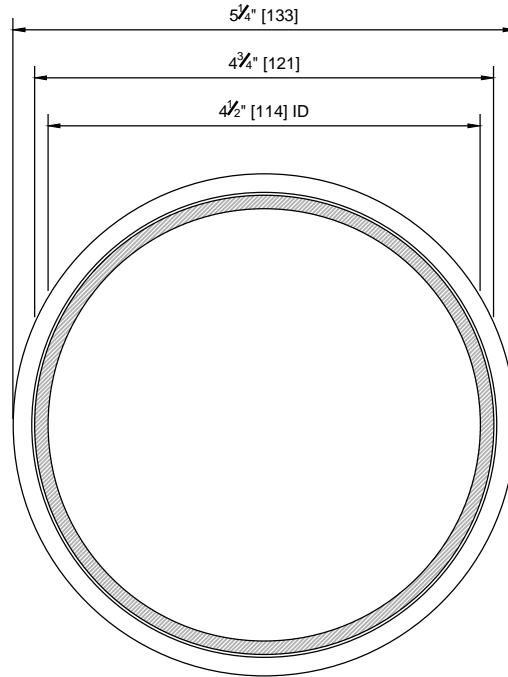
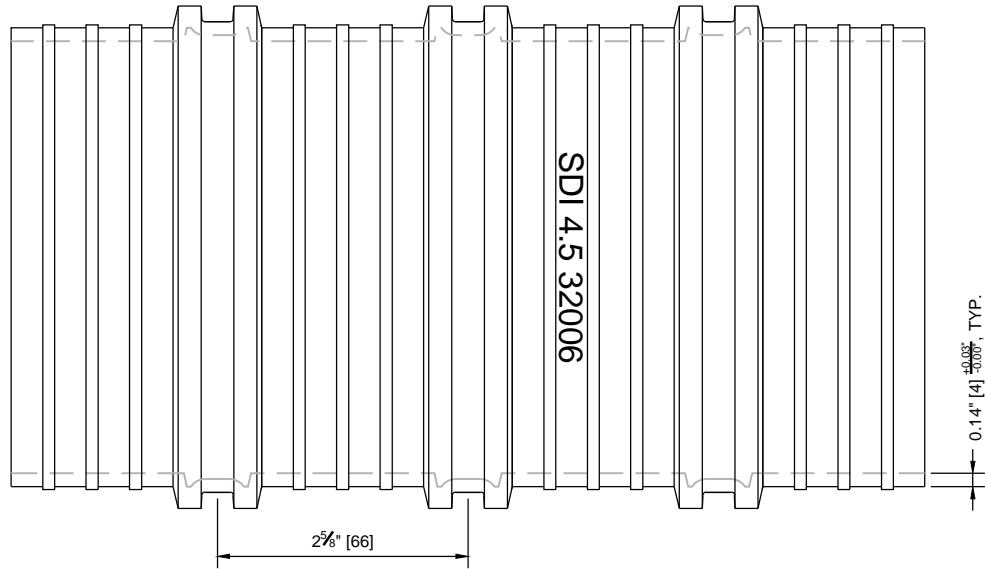


### SDI 0.6" WEDGE (2-PART)

PART NO.: 81001  
 MATERIAL: AISI 11L17 OR 12L14  
 MATERIAL MEETS ALL SPECIFICATIONS.  
 PART IDENTIFICATION MARKED ON CONTAINER  
 SCALE: 1'-0" = 1'-0"

THESE DRAWINGS CONTAIN PROPRIETARY INFORMATION RESTRICTED SOLELY FOR USE ON THIS PROJECT. THESE DRAWINGS MAY NOT BE REPRODUCED IN WHOLE OR IN PART, FOR ANY OTHER USE WITHOUT THE EXPRESSED WRITTEN PERMISSION OF SCHWAGER DAVIS INC. (SDI). SDI DOES NOT MAKE ANY JUDGMENT NOR WARRANTY, EXPRESSED OR IMPLIED, AS TO THE ADEQUACY OF THE STRUCTURAL DESIGN BY OTHERS AND HEREBY DISCLAIMS ANY LIABILITY FOR DESIGNS OF OTHERS.

<p>SDI 0.6" WEDGE (2-PART)</p>	 <p><b>SCHWAGER DAVIS INC.</b></p>	<p><b>SCHWAGER DAVIS, INC.</b>          DESIGN-BUILD CONTRACTOR          198 HILLSDALE AVENUE          SAN JOSE, CA 95136          PHONE: 408.281.9300          FAX: 408.281.9301          www.schwagerdavis.com</p>	<b>DRAWING No: SDI-HD-021</b>																											
			<table border="1"> <thead> <tr> <th>#</th> <th>REVISIONS</th> <th>DRAWN</th> <th>CHECKED</th> <th>APPROVED</th> <th>DATE</th> </tr> </thead> <tbody> <tr> <td>0</td> <td>RELEASE</td> <td>MCS</td> <td>GAS</td> <td>MCS</td> <td>03/14/11</td> </tr> <tr> <td>1</td> <td>COMMENTS</td> <td>CMS</td> <td>MCS</td> <td>MCS</td> <td>07/05/13</td> </tr> <tr> <td>2</td> <td>UPDATE</td> <td>CSM</td> <td>MSC</td> <td>MSC</td> <td>05/26/15</td> </tr> <tr> <td>3</td> <td>UPDATE</td> <td>JSA</td> <td>MSC</td> <td>MSC</td> <td>06/14/18</td> </tr> </tbody> </table>	#	REVISIONS	DRAWN	CHECKED	APPROVED	DATE	0	RELEASE	MCS	GAS	MCS	03/14/11	1	COMMENTS	CMS	MCS	MCS	07/05/13	2	UPDATE	CSM	MSC	MSC	05/26/15	3	UPDATE	JSA
#	REVISIONS	DRAWN	CHECKED	APPROVED	DATE																									
0	RELEASE	MCS	GAS	MCS	03/14/11																									
1	COMMENTS	CMS	MCS	MCS	07/05/13																									
2	UPDATE	CSM	MSC	MSC	05/26/15																									
3	UPDATE	JSA	MSC	MSC	06/14/18																									
<p>SCHWAGER DAVIS, INC.          POST-TENSION          SYSTEM LIBRARY</p>																														



**SDI 4.5" CORRUGATED PLASTIC DUCT**

PART NO.: 32006  
 MATERIAL: POLYPROPYLENE  
 CELL CLASS RANGE: PP0340B44541 TO PP0340B67884  
 BENDING RADIUS: 15'  
 MATERIAL MEETS ALL SPECIFICATIONS.  
 SCALE: 6" = 1'-0"

THESE DRAWINGS CONTAIN PROPRIETARY INFORMATION RESTRICTED SOLELY FOR USE ON THIS PROJECT. THESE DRAWINGS MAY NOT BE REPRODUCED IN WHOLE OR IN PART, FOR ANY OTHER USE WITHOUT THE EXPRESSED WRITTEN PERMISSION OF SCHWAGER DAVIS INC. (SDI). SDI DOES NOT MAKE ANY JUDGMENT NOR WARRANTY, EXPRESSED OR IMPLIED, AS TO THE ADEQUACY OF THE STRUCTURAL DESIGN BY OTHERS AND HEREBY DISCLAIMS ANY LIABILITY FOR DESIGNS OF OTHERS.

SDI 4.5" CORRUGATED PLASTIC DUCT

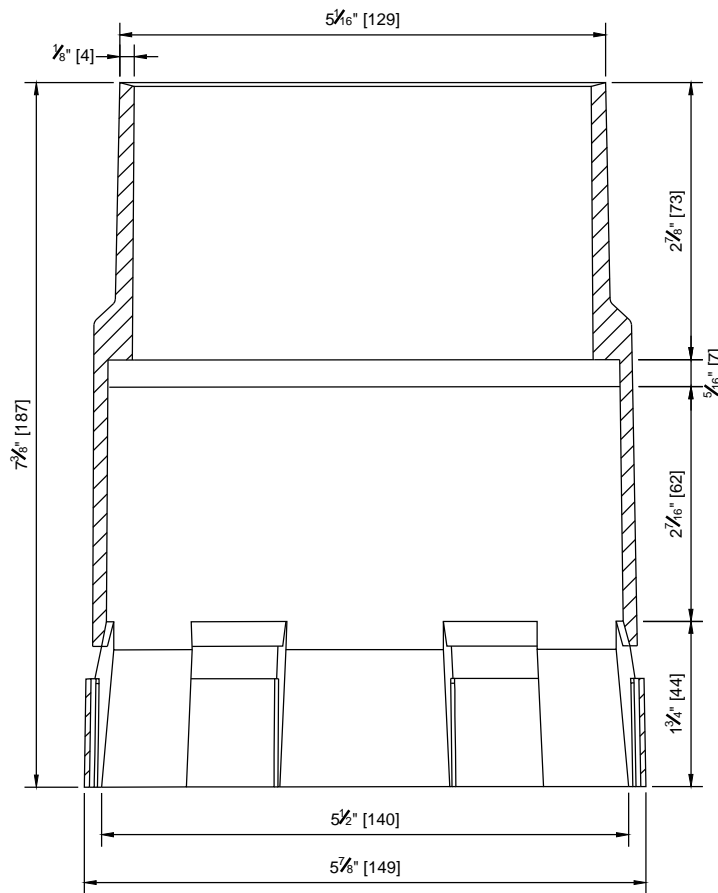
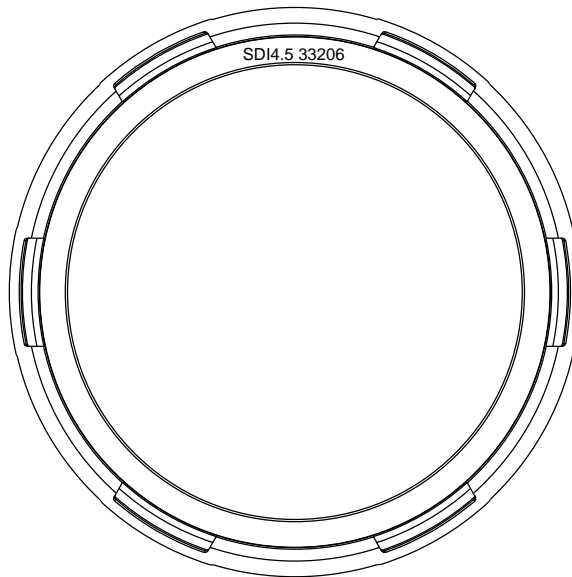
SCHWAGER DAVIS, INC.  
 POST-TENSION SYSTEM LIBRARY



SCHWAGER DAVIS, INC.  
 DESIGN-BUILD CONTRACTOR  
 198 HILLSDALE AVENUE  
 SAN JOSE, CA 95136  
 PHONE: 408.281.9300  
 FAX: 408.281.9301  
 www.schwagerdavis.com

**DRAWING No: SDI-HD-037**

#	REVISIONS	DRAWN	CHECKED	APPROVED	DATE
0	RELEASE	MCS	JWM	MCS	08/08/11
1	REVISED	MCS	JWM	MCS	11/11/11
2	UPDATE	CSM	MSC	MSC	05/26/15
3	UPDATE	JSA	MSC	MSC	05/29/18



### SDI 4.5" SNAP-ON DUCT COUPLER

PART NO.: 33206

MATERIAL: POLYPROPYLENE

CELL CLASS RANGE: PP0340B44541 TO PP0340B67884

MATERIAL MEETS ALL SPECIFICATIONS.

SCALE: 6" = 1'-0"

THESE DRAWINGS CONTAIN PROPRIETARY INFORMATION RESTRICTED SOLELY FOR USE ON THIS PROJECT. THESE DRAWINGS MAY NOT BE REPRODUCED IN WHOLE OR IN PART, FOR ANY OTHER USE WITHOUT THE EXPRESSED WRITTEN PERMISSION OF SCHWAGER DAVIS INC. (SDI). SDI DOES NOT MAKE ANY JUDGMENT NOR WARRANTY, EXPRESSED OR IMPLIED, AS TO THE ADEQUACY OF THE STRUCTURAL DESIGN BY OTHERS AND HEREBY DISCLAIMS ANY LIABILITY FOR DESIGNS OF OTHERS.

SDI 4.5" SNAP-ON DUCT COUPLER

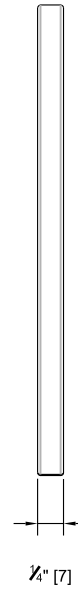
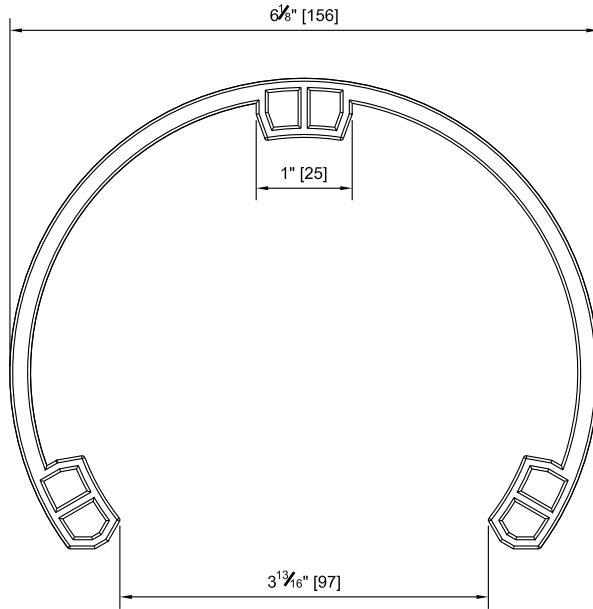
SCHWAGER DAVIS, INC.  
POST-TENSION SYSTEM LIBRARY



SCHWAGER DAVIS, INC.  
DESIGN-BUILD CONTRACTOR  
198 HILLSDALE AVENUE  
SAN JOSE, CA 95136  
PHONE: 408.281.9300  
FAX: 408.281.9301  
www.schwagerdavis.com

DRAWING No: SDI-HD-170

#	REVISIONS	DRAWN	CHECKED	APPROVED	DATE
0	RELEASE	MHA	MSC	MSC	04/03/14
1	UPDATE	CSM	MSC	MSC	05/26/15
2	UPDATE	JSA	MSC	MSC	06/14/18



### SDI 4.5" SNAP RING

PART NO.: 33306  
 MATERIAL: POLYPROPYLENE  
 CELL CLASS RANGE: PP0304B44541 TO PP0340B67884  
 MATERIAL MEETS ALL SPECIFICATIONS.  
 SCALE: 6" = 1'-0"

THESE DRAWINGS CONTAIN PROPRIETARY INFORMATION RESTRICTED SOLELY FOR USE ON THIS PROJECT. THESE DRAWINGS MAY NOT BE REPRODUCED IN WHOLE OR IN PART, FOR ANY OTHER USE WITHOUT THE EXPRESSED WRITTEN PERMISSION OF SCHWAGER DAVIS INC. (SDI). SDI DOES NOT MAKE ANY JUDGMENT NOR WARRANTY, EXPRESSED OR IMPLIED, AS TO THE ADEQUACY OF THE STRUCTURAL DESIGN BY OTHERS AND HEREBY DISCLAIMS ANY LIABILITY FOR DESIGNS OF OTHERS.

SDI 4.5" SNAP RING

SCHWAGER DAVIS, INC.  
 POST-TENSION  
 SYSTEM LIBRARY

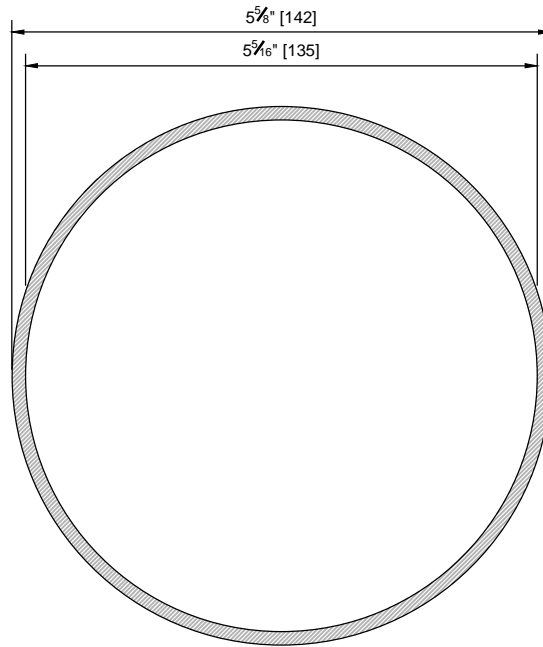
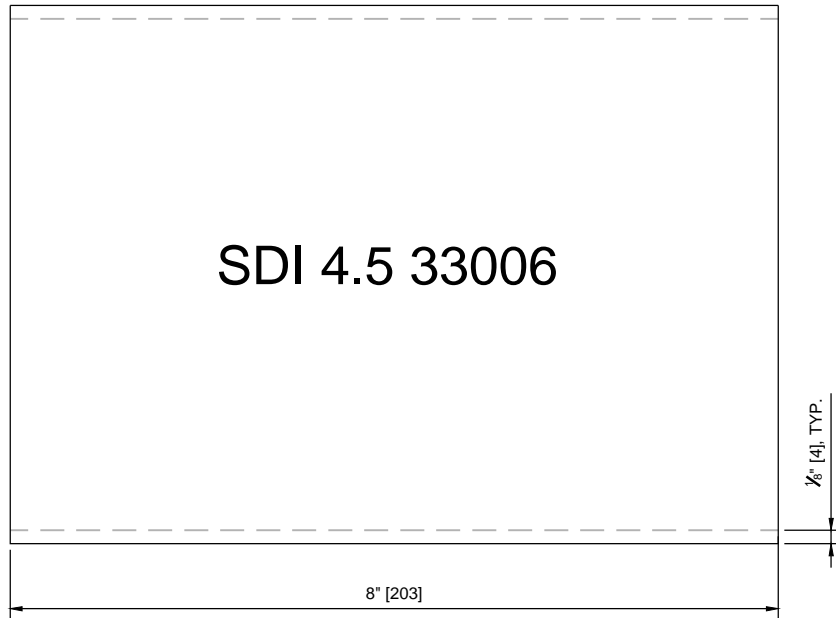


SCHWAGER DAVIS, INC.  
 DESIGN-BUILD CONTRACTOR  
 198 HILLSDALE AVENUE  
 SAN JOSE, CA 95136  
 PHONE: 408.281.9300  
 FAX: 408.281.9301  
 www.schwagerdavis.com

DRAWING No: SDI-HD-171

#	REVISIONS	DRAWN	CHECKED	APPROVED	DATE
0	RELEASE	MHA	MSC	MSC	04/03/14
1	UPDATE	CSM	MSC	MSC	05/26/15

SDI 4.5 33006



**SDI 4.5" SLIP-ON DUCT COUPLER**

PART NO.: 33006  
 MATERIAL: POLYPROPYLENE  
 CELL CLASS RANGE: PP0340B44541 TO PP0340B67884  
 MATERIAL MEETS ALL SPECIFICATIONS.  
 SCALE: 6" = 1'-0"

THESE DRAWINGS CONTAIN PROPRIETARY INFORMATION RESTRICTED SOLELY FOR USE ON THIS PROJECT. THESE DRAWINGS MAY NOT BE REPRODUCED IN WHOLE OR IN PART, FOR ANY OTHER USE WITHOUT THE EXPRESSED WRITTEN PERMISSION OF SCHWAGER DAVIS INC. (SDI). SDI DOES NOT MAKE ANY JUDGMENT NOR WARRANTY, EXPRESSED OR IMPLIED, AS TO THE ADEQUACY OF THE STRUCTURAL DESIGN BY OTHERS AND HEREBY DISCLAIMS ANY LIABILITY FOR DESIGNS OF OTHERS.

SDI 4.5" SLIP-ON  
 DUCT COUPLER

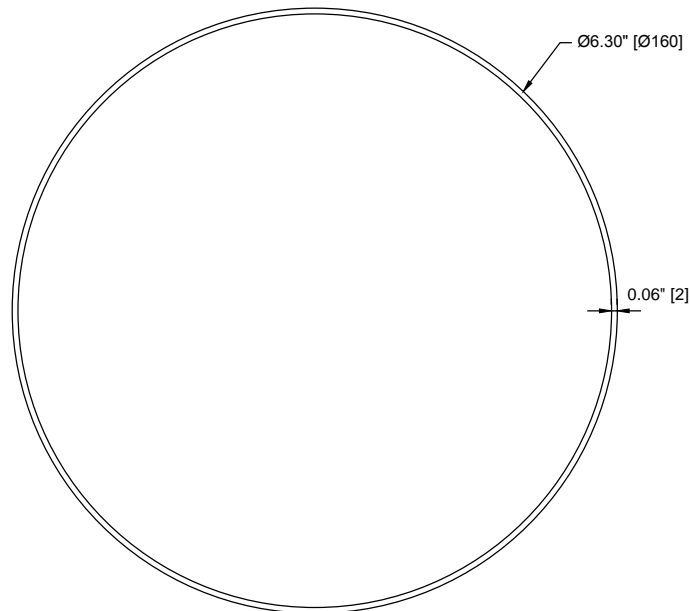
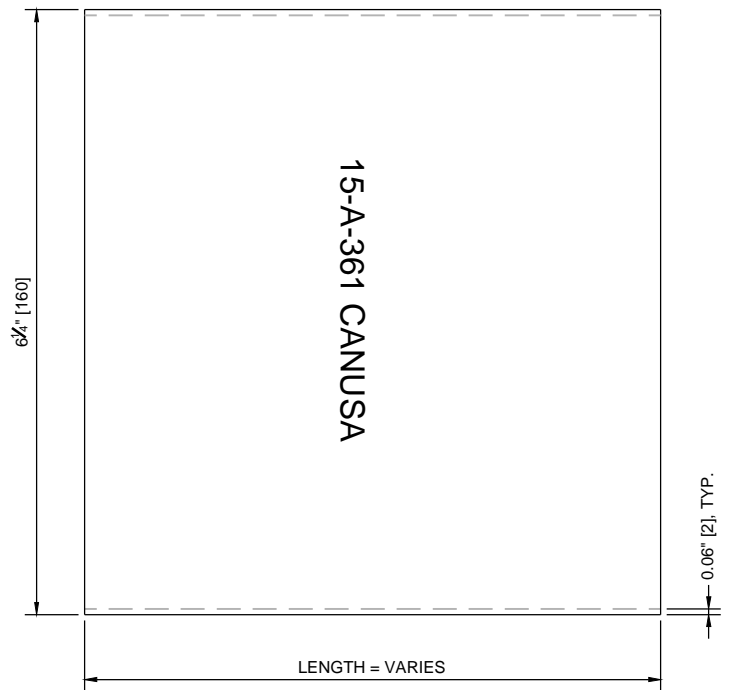
SCHWAGER DAVIS, INC.  
 POST-TENSION  
 SYSTEM LIBRARY



SCHWAGER DAVIS, INC.  
 DESIGN-BUILD CONTRACTOR  
 198 HILLSDALE AVENUE  
 SAN JOSE, CA 95136  
 PHONE: 408.281.9300  
 FAX: 408.281.9301  
 www.schwagerdavis.com

**DRAWING No: SDI-HD-043**

#	REVISIONS	DRAWN	CHECKED	APPROVED	DATE
0	RELEASE	MCS	JWM	MCS	8-19-11
1	UPDATE	CSM	MSC	MSC	5-26-15
2	UPDATE	JSA	MSC	MSC	8-21-18



**HEAT SHRINK TUBING (PLA-125-YE)**

PART NO.: 37006  
 MATERIAL: POLYOLEFIN  
 TUBULAR SLEEVE DIAMETER: 6.30" [160mm] AS SUPPLIED  
 4.30" [109mm] FULLY RECOVERED  
 MATERIAL MEETS ALL SPECIFICATIONS.  
 SCALE: 6" = 1'-0"

NOTE: FOLLOW MANUFACTURE INSTALLATION INSTRUCTIONS

THESE DRAWINGS CONTAIN PROPRIETARY INFORMATION RESTRICTED SOLELY FOR USE ON THIS PROJECT. THESE DRAWINGS MAY NOT BE REPRODUCED IN WHOLE OR IN PART, FOR ANY OTHER USE WITHOUT THE EXPRESSED WRITTEN PERMISSION OF SCHWAGER DAVIS INC. (SDI). SDI DOES NOT MAKE ANY JUDGMENT NOR WARRANTY, EXPRESSED OR IMPLIED, AS TO THE ADEQUACY OF THE STRUCTURAL DESIGN BY OTHERS AND HEREBY DISCLAIMS ANY LIABILITY FOR DESIGNS OF OTHERS.

HEAT SHRINK TUBING  
 (PLA-125-YE)

SCHWAGER DAVIS, INC.  
 POST-TENSION  
 SYSTEM LIBRARY



SCHWAGER DAVIS, INC.  
 DESIGN-BUILD CONTRACTOR  
 198 HILLSDALE AVENUE  
 SAN JOSE, CA 95136  
 PHONE: 408.281.9300  
 FAX: 408.281.9301  
 www.schwagerdavis.com

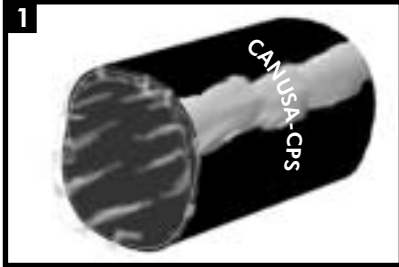
**DRAWING No: SDI-HD-187**

#	REVISIONS	DRAWN	CHECKED	APPROVED	DATE
0	RELEASE	MHA	MSC	MSC	04/04/14
1	UPDATE	CSM	MSC	MSC	05/26/15
2	UPDATE	CSM	MSC	MSC	08/21/18

## CanusaTube™ - PLA

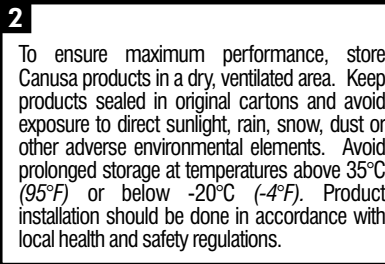
Tubular sleeve for pipeline corrosion protection

### Product Description



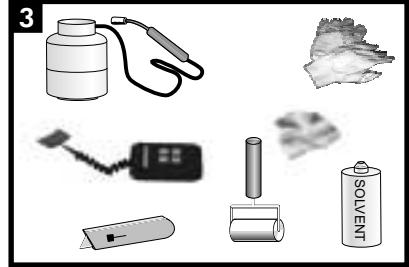
CanusaTubes™ are shipped with an inner release liner for protection from contamination.

### Storage & Safety Guidelines

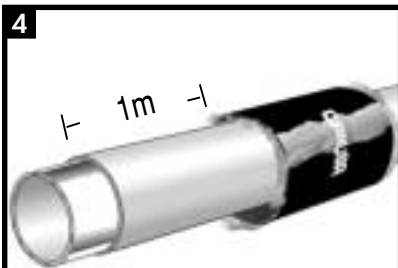


To ensure maximum performance, store Canusa products in a dry, ventilated area. Keep products sealed in original cartons and avoid exposure to direct sunlight, rain, snow, dust or other adverse environmental elements. Avoid prolonged storage at temperatures above 35°C (95°F) or below -20°C (-4°F). Product installation should be done in accordance with local health and safety regulations.

### Equipment List



Propane tank, hose, torch & regulator  
Appropriate tools for surface abrasion  
Knife, roller, rags & approved solvent cleanser  
Digital thermometer with suitable probe  
Standard safety equipment; gloves, goggles, hard hat, etc.

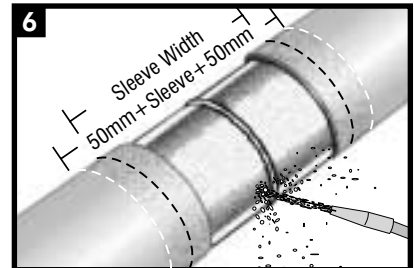


Before welding together the carrier pipe, slide the CanusaTube sleeve at least 1 m away from the cutback area of the joint

### Surface Preparation



Ensure that the PE coating edges are beveled to 30°. Clean exposed steel and adjacent pipe coating with a solvent cleanser to remove the presence of oil, grease, and other contaminants.



Ensure that the pipe dry before cleaning. Prepare the steel joint area to a minimum of St3 /SP3. Lightly abrade the pipe coating adjacent to the weld area to a distance of 50mm (2") beyond each end of the sleeve width.



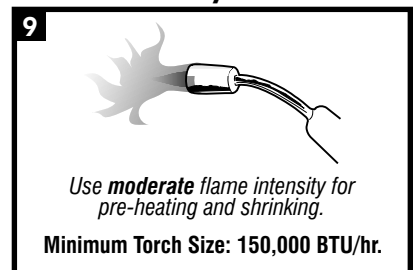
Wipe clean or air blast the steel and pipe coating to remove foreign contaminants.

### Sleeve Installation

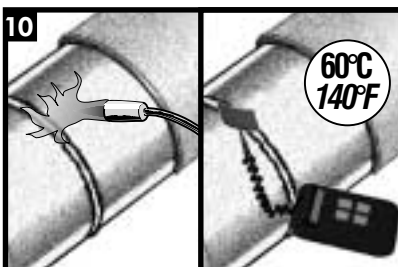


Ensure that there is no dirt or moisture inside the tube and that the tube is not cut. If the sleeve is not useable, a one-piece Wrapid Sleeve or Canusa Wrap sleeve should be used.

### Flame Intensity & Torch Size



### Pre-Heat

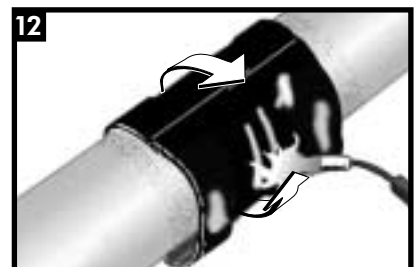


Pre-Heat the joint area to a minimum of 60°C (140°F). Using a temperature measuring device, ensure the correct temperature is reached on the steel and at least 50mm (2") on each side of the sleeve.

### Sleeve Installation



Completely remove the inner release liner from the sleeve and centre the sleeve over the area to be sealed.

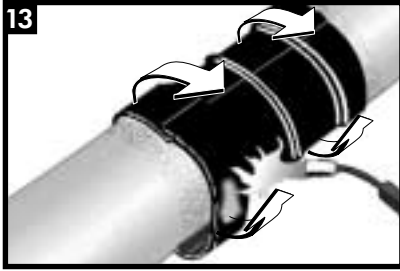


Using the appropriate sized torch, begin at the centre of the sleeve and heat circumferentially around the pipe. Use broad strokes.

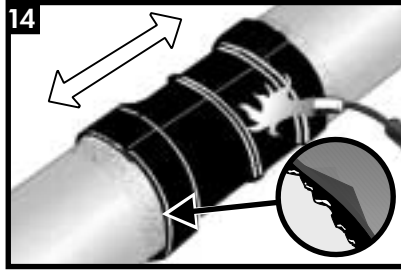


# CanusaTube™ - PLA

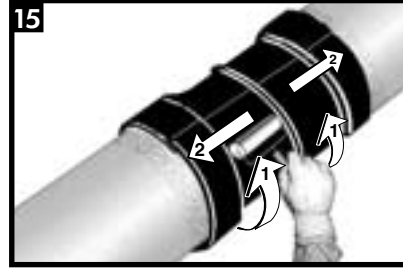
## Sleeve Installation



Continue heating from the centre toward one end of the sleeve until recovery is complete. In a similar manner, heat and shrink the remaining side. With a yellow backing, a pink-orange shade will appear when the proper temperature has been reached.



Shrinking has been completed when the adhesive begins to ooze at the sleeve edges all around the circumference. Finish shrinking the sleeve with long horizontal strokes over the entire surface to ensure a uniform bond.



While the sleeve is still hot and soft, use a hand roller to firmly roll the sleeve surface and push any trapped air up and out of the sleeve, as shown above. If necessary, reheat to roll out air.

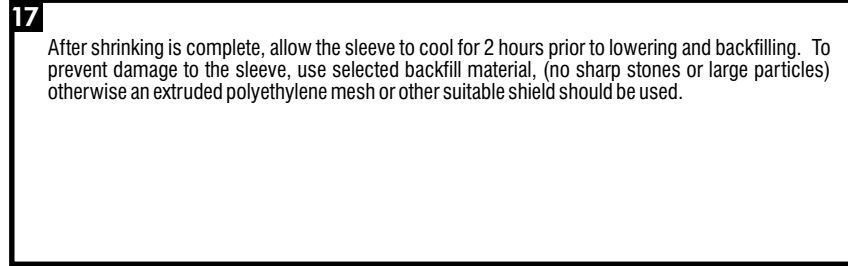
## Inspection



Visually inspect the installed sleeve for the following:

- Sleeve is in full contact with the steel joint.
- Adhesive flows beyond both sleeve edges.
- No cracks or holes in sleeve backing.

## Backfilling Guidelines



After shrinking is complete, allow the sleeve to cool for 2 hours prior to lowering and backfilling. To prevent damage to the sleeve, use selected backfill material, (no sharp stones or large particles) otherwise an extruded polyethylene mesh or other suitable shield should be used.



A SHAWCOR COMPANY

### Canada

CANUSA-CPS  
a division of SHAWCOR LTD.  
25 Bethridge Road  
Rexdale, Ontario  
M9W 1M7,  
Canada  
Tel: +1 (416) 743-7111  
Fax: +1 (416) 743-5927

### U.S.A./Latin America

CANUSA-CPS  
a division of SHAWCOR INC.  
2408 Timberloch Place  
Building C-8  
The Woodlands, Texas  
77380, U.S.A.  
Tel: +1 (281) 367-8866  
Fax: +1 (281) 367-4304

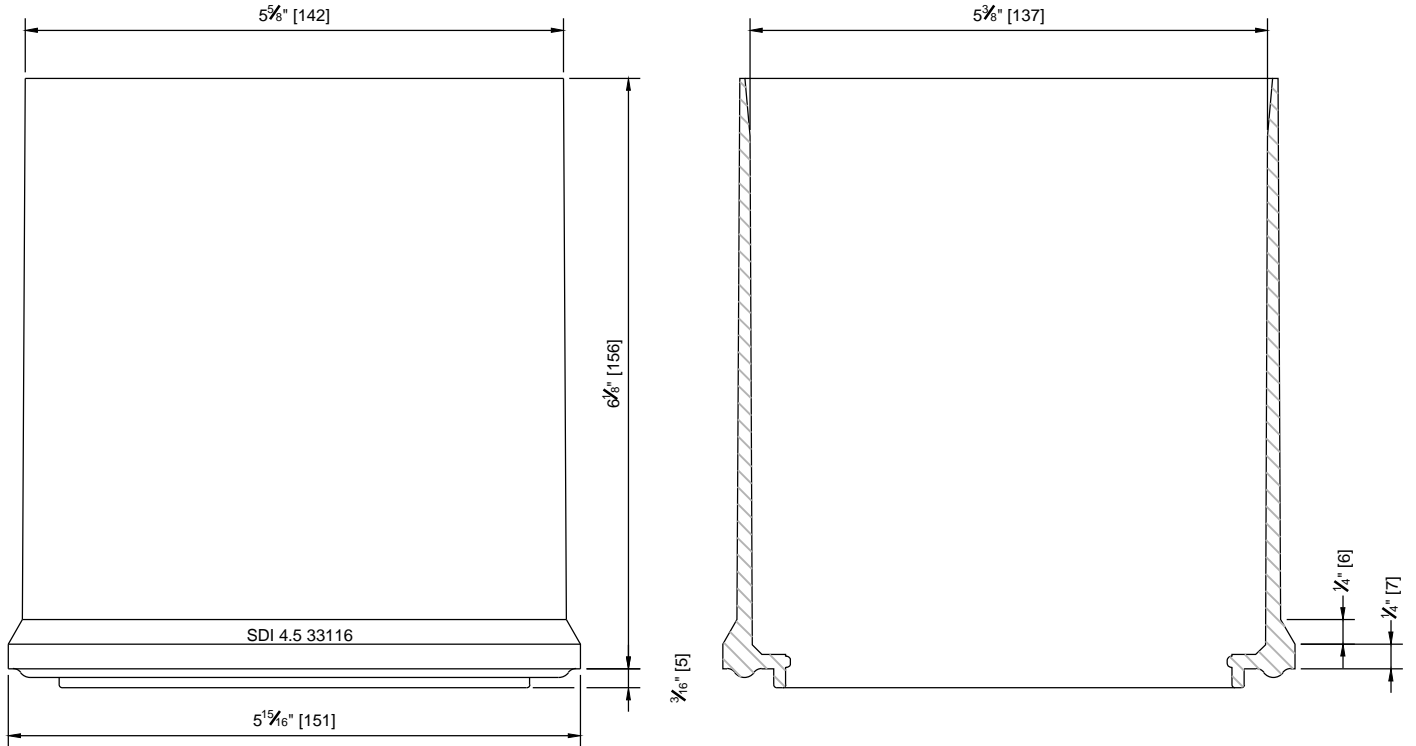
### Europe/Middle East

CANUSA-CPS  
a division of Canusa Systems Ltd.  
Unit 3, Sterling Park  
Gatwick Road  
Crawley, West Sussex  
England RH10 9QT  
Tel: +44 (1293) 541254  
Fax: +44 (1293) 541777

### Asia/Pacific

CANUSA-CPS  
BrederoShaw (S) Pte Ltd  
101 Thomson Road  
#17-01/02, United Square  
Singapore  
307591  
Tel +65-6732-2355  
Fax +65-6732-9073

Canusa warrants that the product conforms to its chemical and physical description and is appropriate for the use stated on the installation guide when used in compliance with Canusa's written instructions. Since many installation factors are beyond our control, the user shall determine the suitability of the products for the intended use and assume all risks and liabilities in connection therewith. Canusa's liability is stated in the standard terms and conditions of sale. Canusa makes no other warranty either expressed or implied. All information contained in this installation guide is to be used as a guide and is subject to change without notice. This installation guide supersedes all previous installation guides on this product. E&OE

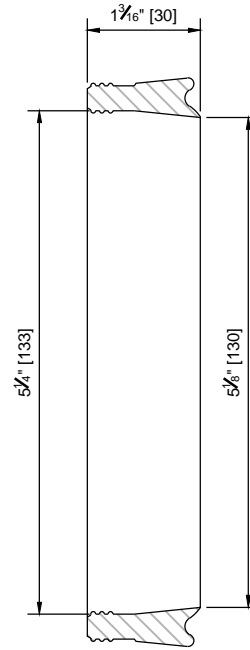
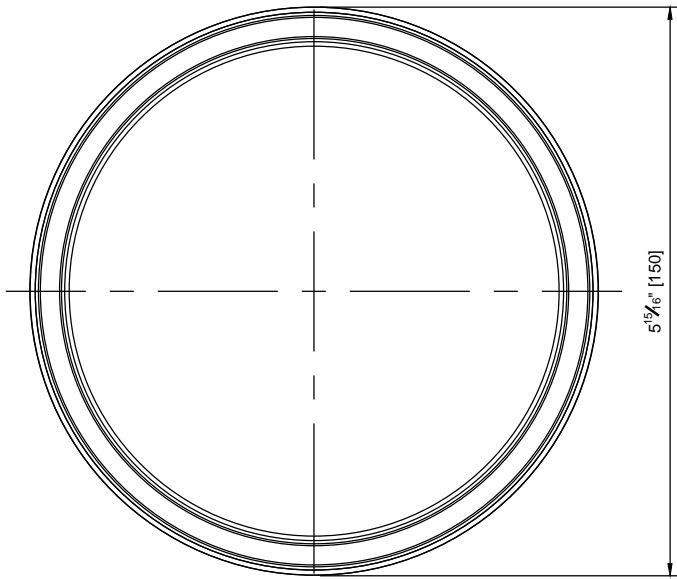


### SDI 4.5" SEGMENT COUPLER SLIDE HOUSING

PART NO.: 33116  
 MATERIAL: POLYPROPYLENE  
 CELL CLASS RANGE: PP0340B44541 TO PP0340B67884  
 MATERIAL MEETS ALL SPECIFICATIONS.  
 SCALE: 6" = 1'-0"

THESE DRAWINGS CONTAIN PROPRIETARY INFORMATION RESTRICTED SOLELY FOR USE ON THIS PROJECT. THESE DRAWINGS MAY NOT BE REPRODUCED IN WHOLE OR IN PART, FOR ANY OTHER USE WITHOUT THE EXPRESSED WRITTEN PERMISSION OF SCHWAGER DAVIS INC. (SDI). SDI DOES NOT MAKE ANY JUDGMENT NOR WARRANTY, EXPRESSED OR IMPLIED, AS TO THE ADEQUACY OF THE STRUCTURAL DESIGN BY OTHERS AND HEREBY DISCLAIMS ANY LIABILITY FOR DESIGNS OF OTHERS.

<b>SDI 4.5" SEGMENT COUPLER SLIDE HOUSING</b>		<b>SCHWAGER DAVIS, INC.</b> DESIGN-BUILD CONTRACTOR 198 HILLSDALE AVENUE SAN JOSE, CA 95136 PHONE: 408.281.9300 FAX: 408.281.9301 www.schwagerdavis.com	<b>DRAWING No: SDI-HD-137</b> <table border="1" style="width: 100%; border-collapse: collapse; margin-top: 5px;"> <thead> <tr> <th>#</th> <th>REVISIONS</th> <th>DRAWN</th> <th>CHECKED</th> <th>APPROVED</th> <th>DATE</th> </tr> </thead> <tbody> <tr> <td>0</td> <td>RELEASE</td> <td>MHA</td> <td>JMY</td> <td>MSC</td> <td>12/06/13</td> </tr> <tr> <td>1</td> <td>UPDATE</td> <td>MHA</td> <td>JMY</td> <td>MSC</td> <td>09/19/14</td> </tr> <tr> <td>2</td> <td>UPDATE</td> <td>CSM</td> <td>MSC</td> <td>MSC</td> <td>05/26/15</td> </tr> <tr> <td>3</td> <td>UPDATE</td> <td>JSA</td> <td>MSC</td> <td>MSC</td> <td>06/29/18</td> </tr> </tbody> </table>	#	REVISIONS	DRAWN	CHECKED	APPROVED	DATE	0	RELEASE	MHA	JMY	MSC	12/06/13	1	UPDATE	MHA	JMY	MSC	09/19/14	2	UPDATE	CSM	MSC	MSC	05/26/15	3	UPDATE	JSA	MSC	MSC	06/29/18
#	REVISIONS	DRAWN	CHECKED	APPROVED	DATE																												
0	RELEASE	MHA	JMY	MSC	12/06/13																												
1	UPDATE	MHA	JMY	MSC	09/19/14																												
2	UPDATE	CSM	MSC	MSC	05/26/15																												
3	UPDATE	JSA	MSC	MSC	06/29/18																												
<b>SCHWAGER DAVIS, INC.</b> POST-TENSION SYSTEM LIBRARY																																	



### SDI 4.5" SEGMENT COUPLER SEAL

PART NO.: 33118

MATERIAL: BUNA-N PER ASTM D2240, & D412

MATERIAL MEETS ALL SPECIFICATIONS.

SCALE: 6" = 1'-0"

THESE DRAWINGS CONTAIN PROPRIETARY INFORMATION RESTRICTED SOLELY FOR USE ON THIS PROJECT. THESE DRAWINGS MAY NOT BE REPRODUCED IN WHOLE OR IN PART, FOR ANY OTHER USE WITHOUT THE EXPRESSED WRITTEN PERMISSION OF SCHWAGER DAVIS INC. (SDI). SDI DOES NOT MAKE ANY JUDGMENT NOR WARRANTY, EXPRESSED OR IMPLIED, AS TO THE ADEQUACY OF THE STRUCTURAL DESIGN BY OTHERS AND HEREBY DISCLAIMS ANY LIABILITY FOR DESIGNS OF OTHERS.

SDI 4.5" SEGMENT  
COUPLER SEAL

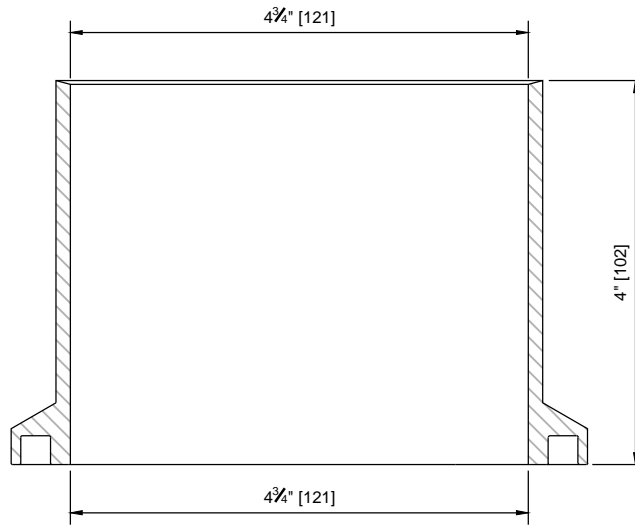
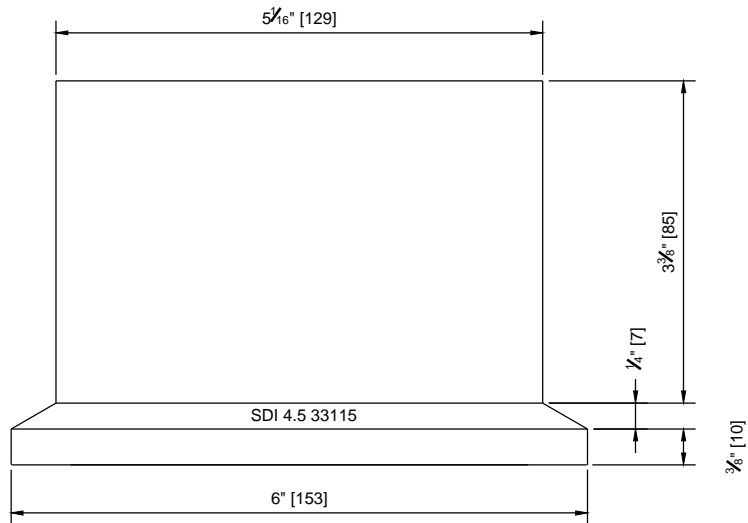
SCHWAGER DAVIS, INC.  
POST-TENSION  
SYSTEM LIBRARY



SCHWAGER DAVIS, INC.  
DESIGN-BUILD CONTRACTOR  
198 HILLSDALE AVENUE  
SAN JOSE, CA 95136  
PHONE: 408.281.9300  
FAX: 408.281.9301  
www.schwagerdavis.com

DRAWING No: SDI-HD-140

#	REVISIONS	DRAWN	CHECKED	APPROVED	DATE
1	UPDATE	MHA	JMY	MSC	09/19/14
2	UPDATE	CSM	MSC	MSC	05/26/15
3	MATERIAL UPDATE	CSM	JMY	MSC	06/08/16
3	MATERIAL UPDATE	JSA	MSC	MSC	06/29/18



### SDI 4.5" SEGMENT COUPLER WELDED HOUSING

PART NO.: 33115  
 MATERIAL: POLYPROPYLENE  
 CELL CLASS RANGE: PP0340B44541 TO PP0340B67884  
 MATERIAL MEETS ALL SPECIFICATIONS.  
 SCALE: 6" = 1'-0"

THESE DRAWINGS CONTAIN PROPRIETARY INFORMATION RESTRICTED SOLELY FOR USE ON THIS PROJECT. THESE DRAWINGS MAY NOT BE REPRODUCED IN WHOLE OR IN PART, FOR ANY OTHER USE WITHOUT THE EXPRESSED WRITTEN PERMISSION OF SCHWAGER DAVIS INC. (SDI). SDI DOES NOT MAKE ANY JUDGMENT NOR WARRANTY, EXPRESSED OR IMPLIED, AS TO THE ADEQUACY OF THE STRUCTURAL DESIGN BY OTHERS AND HEREBY DISCLAIMS ANY LIABILITY FOR DESIGNS OF OTHERS.

SDI 4.5" SEGMENT  
 COUPLER WELDED  
 HOUSING

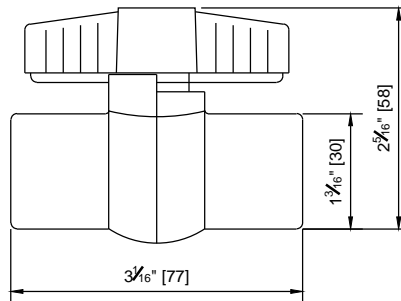
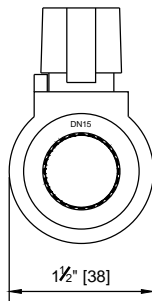
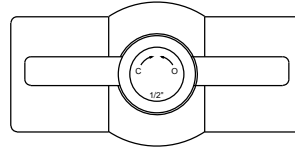
SCHWAGER DAVIS, INC.  
 POST-TENSION  
 SYSTEM LIBRARY



SCHWAGER DAVIS, INC.  
 DESIGN-BUILD CONTRACTOR  
 198 HILLSDALE AVENUE  
 SAN JOSE, CA 95136  
 PHONE: 408.281.9300  
 FAX: 408.281.9301  
 www.schwagerdavis.com

DRAWING No: SDI-HD-136

#	REVISIONS	DRAWN	CHECKED	APPROVED	DATE
0	RELEASE	MHA	JMY	MSC	12/06/13
1	UPDATE	CSM	MSC	MSC	05/26/15
2	UPDATE	JSA	MSC	MSC	06/29/18



### 1/2" DIAMETER BALL VALVE (TEMPORARY)

PART NO.: 52008  
 MATERIAL: PVC  
 PRESSURE RATING: 150 PSI  
 MATERIAL MEETS ALL SPECIFICATIONS.  
 SCALE: 6" = 1'-0"

THESE DRAWINGS CONTAIN PROPRIETARY INFORMATION RESTRICTED SOLELY FOR USE ON THIS PROJECT. THESE DRAWINGS MAY NOT BE REPRODUCED IN WHOLE OR IN PART, FOR ANY OTHER USE WITHOUT THE EXPRESSED WRITTEN PERMISSION OF SCHWAGER DAVIS INC. (SDI). SDI DOES NOT MAKE ANY JUDGMENT NOR WARRANTY, EXPRESSED OR IMPLIED, AS TO THE ADEQUACY OF THE STRUCTURAL DESIGN BY OTHERS AND HEREBY DISCLAIMS ANY LIABILITY FOR DESIGNS OF OTHERS.

1/2" DIAMETER BALL VALVE (TEMPORARY)

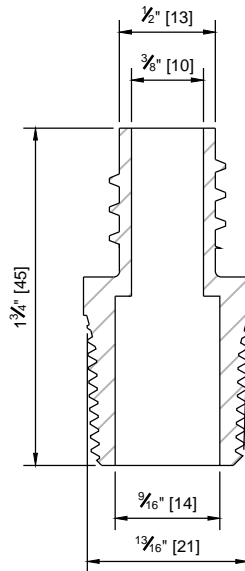
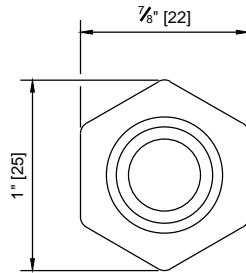
SCHWAGER DAVIS, INC.  
 POST-TENSION SYSTEM LIBRARY



SCHWAGER DAVIS, INC.  
 DESIGN-BUILD CONTRACTOR  
 198 HILLSDALE AVENUE  
 SAN JOSE, CA 95136  
 PHONE: 408.281.9300  
 FAX: 408.281.9301  
 www.schwagerdavis.com

DRAWING No: SDI-HD-153

#	REVISIONS	DRAWN	CHECKED	APPROVED	DATE
0	RELEASE	MHA	MSC	MSC	04/02/14
1	UPDATE	CSM	MSC	MSC	05/26/15
2	UPDATE	JSA	MSC	MSC	06/18/18



### 1/2" NOM. (13mm) NPT COUPLER

PART NO.: 53011

MATERIAL: POLYPROPYLENE

CELL CLASS RANGE: PP0340B44541 TO PP0340B67884

PRESSURE RATING: 150 PSI

MATERIAL MEETS ALL SPECIFICATIONS.

SCALE: 1'-0" = 1'-0"

THESE DRAWINGS CONTAIN PROPRIETARY INFORMATION RESTRICTED SOLELY FOR USE ON THIS PROJECT. THESE DRAWINGS MAY NOT BE REPRODUCED IN WHOLE OR IN PART, FOR ANY OTHER USE WITHOUT THE EXPRESSED WRITTEN PERMISSION OF SCHWAGER DAVIS INC. (SDI). SDI DOES NOT MAKE ANY JUDGMENT NOR WARRANTY, EXPRESSED OR IMPLIED, AS TO THE ADEQUACY OF THE STRUCTURAL DESIGN BY OTHERS AND HEREBY DISCLAIMS ANY LIABILITY FOR DESIGNS OF OTHERS.

1/2" NOM. (13mm) NPT  
COUPLER

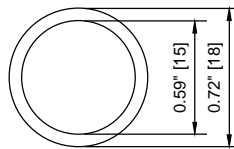
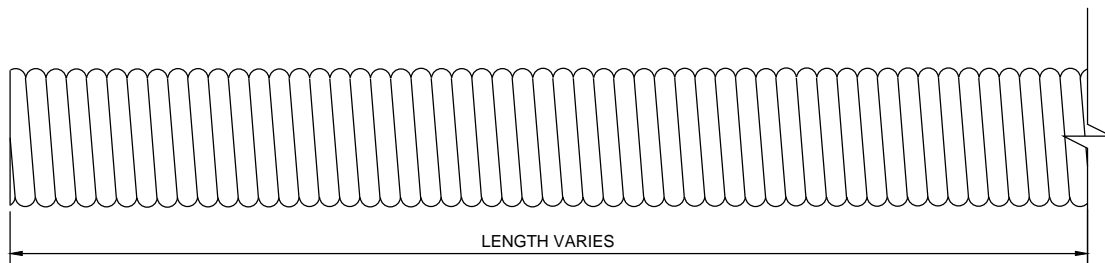
SCHWAGER DAVIS, INC.  
POST-TENSION  
SYSTEM LIBRARY



SCHWAGER DAVIS, INC.  
DESIGN-BUILD CONTRACTOR  
198 HILLSDALE AVENUE  
SAN JOSE, CA 95136  
PHONE: 408.281.9300  
FAX: 408.281.9301  
www.schwagerdavis.com

DRAWING No: SDI-HD-222

#	REVISIONS	DRAWN	CHECKED	APPROVED	DATE
0	RELEASE	MHA	MSC	MSC	10/10/14
1	UPDATE	CSM	MSC	MSC	05/26/15
2	UPDATE	JSA	MSC	MSC	06/19/18



### 1/2" NOM. (13mm) GROUT HOSE

PART NO.: 51002  
 MATERIAL: HDPE  
 PRESSURE RATING: 150 PSI  
 MATERIAL MEETS ALL SPECIFICATIONS.  
 SCALE: 1'-0" = 1'-0"

THESE DRAWINGS CONTAIN PROPRIETARY INFORMATION RESTRICTED SOLELY FOR USE ON THIS PROJECT. THESE DRAWINGS MAY NOT BE REPRODUCED IN WHOLE OR IN PART, FOR ANY OTHER USE WITHOUT THE EXPRESSED WRITTEN PERMISSION OF SCHWAGER DAVIS INC. (SDI). SDI DOES NOT MAKE ANY JUDGMENT NOR WARRANTY, EXPRESSED OR IMPLIED, AS TO THE ADEQUACY OF THE STRUCTURAL DESIGN BY OTHERS AND HEREBY DISCLAIMS ANY LIABILITY FOR DESIGNS OF OTHERS.

1/2" NOM. 13mm GROUT HOSE

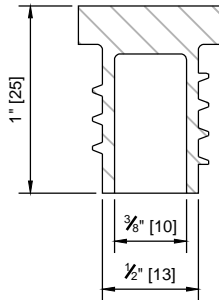
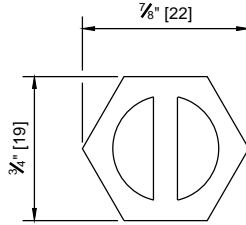
SCHWAGER DAVIS, INC.  
 POST-TENSION  
 SYSTEM LIBRARY



SCHWAGER DAVIS, INC.  
 DESIGN-BUILD CONTRACTOR  
 198 HILLSDALE AVENUE  
 SAN JOSE, CA 95136  
 PHONE: 408.281.9300  
 FAX: 408.281.9301  
 www.schwagerdavis.com

**DRAWING No: SDI-HD-188**

#	REVISIONS	DRAWN	CHECKED	APPROVED	DATE
0	RELEASE	MHA	MSC	MSC	04/03/14
1	UPDATE	CSM	MSC	MSC	05/26/15
2	UPDATE	JSA	MSC	MSC	06/12/18



### 1/2" NOM. (13mm) GROUT TUBE PLUG

PART NO.: 55003  
 MATERIAL: POLYPROPYLENE  
 CELL CLASS RANGE: PP0340B44541 TO PP0340B67884  
 PRESSURE RATING: 150 PSI  
 MATERIAL MEETS ALL SPECIFICATIONS.  
 SCALE: 1'-0" = 1'-0"

THESE DRAWINGS CONTAIN PROPRIETARY INFORMATION RESTRICTED SOLELY FOR USE ON THIS PROJECT. THESE DRAWINGS MAY NOT BE REPRODUCED IN WHOLE OR IN PART, FOR ANY OTHER USE WITHOUT THE EXPRESSED WRITTEN PERMISSION OF SCHWAGER DAVIS INC. (SDI). SDI DOES NOT MAKE ANY JUDGMENT NOR WARRANTY, EXPRESSED OR IMPLIED, AS TO THE ADEQUACY OF THE STRUCTURAL DESIGN BY OTHERS AND HEREBY DISCLAIMS ANY LIABILITY FOR DESIGNS OF OTHERS.

1/2" NOM. (13mm) GROUT  
TUBE PLUG

SCHWAGER DAVIS, INC.  
POST-TENSION  
SYSTEM LIBRARY

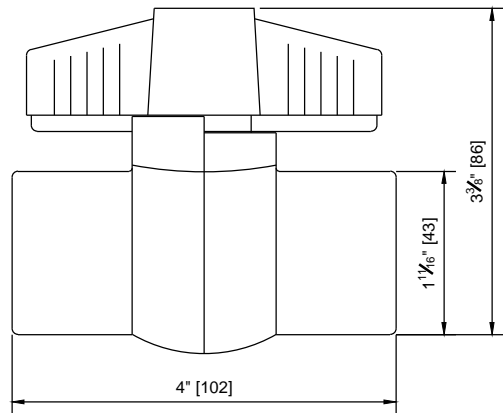
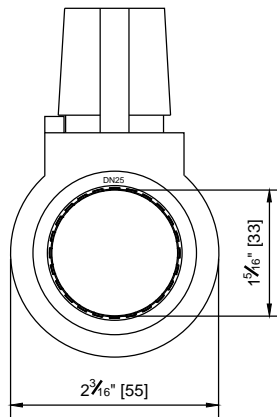
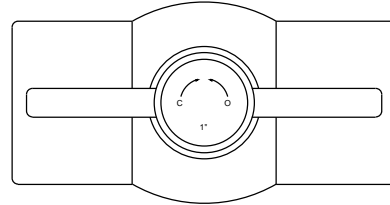


SCHWAGER DAVIS, INC.  
 DESIGN-BUILD CONTRACTOR  
 198 HILLSDALE AVENUE  
 SAN JOSE, CA 95136  
 PHONE: 408.281.9300  
 FAX: 408.281.9301  
 www.schwagerdavis.com

**DRAWING No: SDI-HD-155**

#	REVISIONS	DRAWN	CHECKED	APPROVED	DATE
0	RELEASE	MHA	MSC	MSC	04/02/14
1	UPDATE	CSM	MSC	MSC	05/26/15
2	UPDATE	JSA	MSC	MSC	06/18/18





### 1" DIAMETER BALL VALVE (TEMPORARY)

PART NO.: 52006  
 MATERIAL: PVC  
 PRESSURE RATING: 150 PSI  
 THREAD SIZE: 1" NPT  
 MATERIAL MEETS ALL SPECIFICATIONS.  
 SCALE: 6" = 1'-0"

THESE DRAWINGS CONTAIN PROPRIETARY INFORMATION RESTRICTED SOLELY FOR USE ON THIS PROJECT. THESE DRAWINGS MAY NOT BE REPRODUCED IN WHOLE OR IN PART, FOR ANY OTHER USE WITHOUT THE EXPRESSED WRITTEN PERMISSION OF SCHWAGER DAVIS INC. (SDI). SDI DOES NOT MAKE ANY JUDGMENT NOR WARRANTY, EXPRESSED OR IMPLIED, AS TO THE ADEQUACY OF THE STRUCTURAL DESIGN BY OTHERS AND HEREBY DISCLAIMS ANY LIABILITY FOR DESIGNS OF OTHERS.

1" DIAMETER BALL VALVE (TEMPORARY)

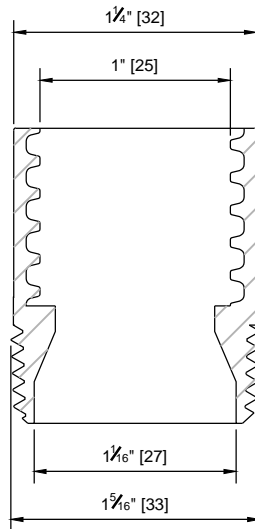
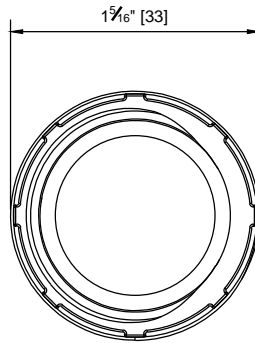
SCHWAGER DAVIS, INC.  
 POST-TENSION SYSTEM LIBRARY



SCHWAGER DAVIS, INC.  
 DESIGN-BUILD CONTRACTOR  
 198 HILLSDALE AVENUE  
 SAN JOSE, CA 95136  
 PHONE: 408.281.9300  
 FAX: 408.281.9301  
 www.schwagerdavis.com

DRAWING No: SDI-HD-152

#	REVISIONS	DRAWN	CHECKED	APPROVED	DATE
0	RELEASE	MHA	MSC	MSC	04/02/14
1	UPDATE	CSM	MSC	MSC	05/26/15
2	UPDATE	JAS	MSC	MSC	06/12/18



### 3/4" NOM. (23mm) NPT COUPLER

PART NO.: 53005

MATERIAL: POLYPROPYLENE

CELL CLASS RANGE: PP0340B44541 TO PP0340B67884

PRESSURE RATING: 150 PSI

MATERIAL MEETS ALL PROJECT SPECIFICATIONS.

SCALE: 1'-0" = 1'-0"

THESE DRAWINGS CONTAIN PROPRIETARY INFORMATION RESTRICTED SOLELY FOR USE ON THIS PROJECT. THESE DRAWINGS MAY NOT BE REPRODUCED IN WHOLE OR IN PART, FOR ANY OTHER USE WITHOUT THE EXPRESSED WRITTEN PERMISSION OF SCHWAGER DAVIS INC. (SDI). SDI DOES NOT MAKE ANY JUDGMENT NOR WARRANTY, EXPRESSED OR IMPLIED, AS TO THE ADEQUACY OF THE STRUCTURAL DESIGN BY OTHERS AND HEREBY DISCLAIMS ANY LIABILITY FOR DESIGNS OF OTHERS.

3/4" NOM. (23mm) NPT  
COUPLER

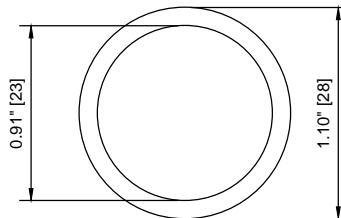
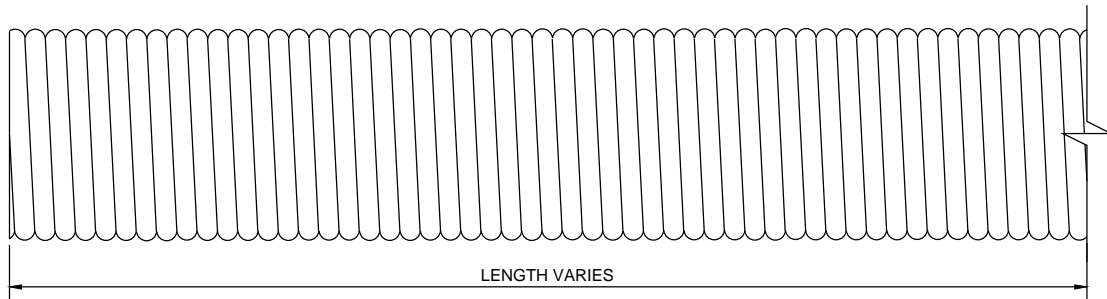
SCHWAGER DAVIS, INC.  
POST-TENSION  
SYSTEM LIBRARY



SCHWAGER DAVIS, INC.  
DESIGN-BUILD CONTRACTOR  
198 HILLSDALE AVENUE  
SAN JOSE, CA 95136  
PHONE: 408.281.9300  
FAX: 408.281.9301  
www.schwagerdavis.com

DRAWING No: SDI-HD-223

#	REVISIONS	DRAWN	CHECKED	APPROVED	DATE
0	RELEASE	MHA	MSC	MSC	10/10/14
1	UPDATE	CSM	MSC	MSC	05/26/15
2	UPDATE	MHA	JMY	JMY	06/30/15
3	UPDATE	JSA	MSC	MSC	06/19/18



### 3/4" NOM. (23mm) GROUT HOSE

PART NO.: 51001  
 MATERIAL: HDPE  
 PRESSURE RATING: 150 PSI  
 MATERIAL MEETS ALL SPECIFICATIONS.  
 SCALE: 1'-0" = 1'-0"

THESE DRAWINGS CONTAIN PROPRIETARY INFORMATION RESTRICTED SOLELY FOR USE ON THIS PROJECT. THESE DRAWINGS MAY NOT BE REPRODUCED IN WHOLE OR IN PART, FOR ANY OTHER USE WITHOUT THE EXPRESSED WRITTEN PERMISSION OF SCHWAGER DAVIS INC. (SDI). SDI DOES NOT MAKE ANY JUDGMENT NOR WARRANTY, EXPRESSED OR IMPLIED, AS TO THE ADEQUACY OF THE STRUCTURAL DESIGN BY OTHERS AND HEREBY DISCLAIMS ANY LIABILITY FOR DESIGNS OF OTHERS.

3/4" NOM. (23mm) GROUT HOSE

SCHWAGER DAVIS, INC.  
 POST TENSION  
 SYSTEM LIBRARY

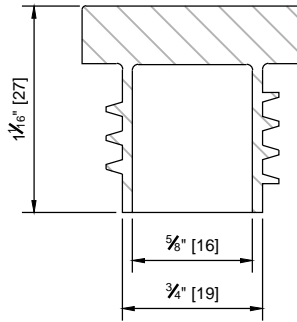
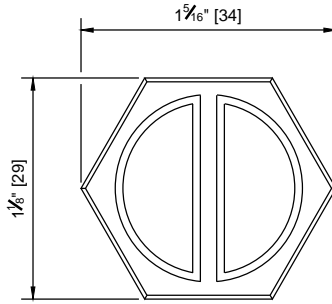


SCHWAGER DAVIS, INC.  
 DESIGN-BUILD CONTRACTOR  
 198 HILLSDALE AVENUE  
 SAN JOSE, CA 95136  
 PHONE: 408.281.9300  
 FAX: 408.281.9301  
 www.schwagerdavis.com

**DRAWING No: SDI-HD-189**

#	REVISIONS	DRAWN	CHECKED	APPROVED	DATE
0	RELEASE	MHA	MSC	MSC	04/03/14
1	UPDATE	CSM	MSC	MSC	05/26/15
2	UPDATE	JSA	MSC	MSC	06/18/18





### 3/4" NOM. (23mm) GROUT TUBE PLUG

PART NO.: 55001  
 MATERIAL: POLYPROPYLENE  
 CELL CLASS RANGE: PP0340B44541 TO PP0340B67884  
 PRESSURE RATING: 150 PSI  
 MATERIAL MEETS ALL SPECIFICATIONS.  
 SCALE: 1'-0" = 1'-0"

THESE DRAWINGS CONTAIN PROPRIETARY INFORMATION RESTRICTED SOLELY FOR USE ON THIS PROJECT. THESE DRAWINGS MAY NOT BE REPRODUCED IN WHOLE OR IN PART, FOR ANY OTHER USE WITHOUT THE EXPRESSED WRITTEN PERMISSION OF SCHWAGER DAVIS INC. (SDI). SDI DOES NOT MAKE ANY JUDGMENT NOR WARRANTY, EXPRESSED OR IMPLIED, AS TO THE ADEQUACY OF THE STRUCTURAL DESIGN BY OTHERS AND HEREBY DISCLAIMS ANY LIABILITY FOR DESIGNS OF OTHERS.

**3/4" NOM.(23mm) GROUT  
TUBE PLUG**

**SCHWAGER DAVIS, INC.  
POST-TENSION  
SYSTEM LIBRARY**



**SCHWAGER DAVIS, INC.**  
 DESIGN-BUILD CONTRACTOR  
 198 HILLSDALE AVENUE  
 SAN JOSE, CA 95136  
 PHONE: 408.281.9300  
 FAX: 408.281.9301  
 www.schwagerdavis.com

**DRAWING No: SDI-HD-156**

#	REVISIONS	DRAWN	CHECKED	APPROVED	DATE
0	RELEASE	MHA	MSC	MSC	04/02/14
1	UPDATE	CSM	MSC	MSC	05/26/15
2	UPDATE	JSA	MSC	MSC	06/19/18





## Technical Product Information

# RED-i PT CABLE COATING GREASE

RED-I PT CABLE COATING IS SPECIALLY FORMULATED FOR THE POST TENSIONING CONSTRUCTION INDUSTRY, AND EXCEEDS THE POST TENSIONING INSTITUTE (PTI) SPECIFICATIONS IN CORROSION PROTECTION FOR UNBONDED AND SINGLE-STRAND TENDONS IN CORROSIVE SERVICE.



**Product Description:** RED-i PT CABLE COATING is a premium lithium grease fortified with effective corrosion inhibitors. The coating is specifically designed to provide extended protection against corrosion of metal cables or any metallic surface exposed to moisture.

### Features:

- Adhesive properties protects metal surfaces from air, moisture, and sea water.
- Excellent corrosion and rust inhibition properties.
- Exceeds PTI specifications.
- Member Post Tensioning Institute.
- High dropping point.
- Contains antimicrobial agent.

### Typical Uses:

- Preserves metallic cables and wires exposed to corrosive environments.
- Preserves steel reinforcement bars or rods used for concrete structures against corrosion.
- Recommended for use in marine and construction industries.

### Typical Specifications:

GRADE, NLGI	2
Penetration @ 77° F. (ASTM Worked)	265-295
Dropping Point, ASTM D-2265, °F.	383
Color	Amber
Texture	Butter
Appearance	Smooth
Soap Type	Lithium
Soap, %	7.0
Rust Test, ASTM D-1743	Pass
Corrosion Test, ASTM B-117	Pass (No Rust)
Soak Test, ASTM B-117 Modified	Pass
Emulsification Of Coating	None
Oil Separation, FTM 321.2 , Wt.%	0.5
Flash Point, ASTM D-92, Coc, °F	350
Water Content, ASTM D-95, Wt.%	<0.1
Base Oil Viscosity	
cSt. @ 40° C.	321.0
cSt. @ 100° C.	21.0
SUS@100° F.	74
Viscosity Index	<0.5
Chlorides, PPM ASTM D-512	<0.1
Nitrates, PPM, ASTM D3867	8.54
Tensile Strength Change Of Polymer, ASTM D638	

VALUES SHOWN HERE ARE TYPICAL AND MAY VARY.

## SET High Strength Epoxy-Tie® Anchoring Adhesive

SET Epoxy-Tie® epoxy is a two-component, 1:1 ratio, high solids, epoxy-based adhesive for use as a high strength, non-shrink anchor grouting material. Resin and hardener are dispensed and mixed simultaneously through the mixing nozzle. SET meets or exceeds the requirements of ASTM C-881 specification for Type I, II, IV and V, Grade 3, Class B and C.

### GALLERY: ROLL OVER IMAGES BELOW TO SEE

LARGER IMAGE



SET22



EMN22i



EDT22B



SET-PAC EZ™  
Adhesive  
U.S. Patent  
6,634,524



SET56



SET1.7KTA



### USES

- Threaded-rod anchoring
- Rebar doweling
- Bonding hardened concrete to hardened concrete
- Pick-proof sealant around doors, windows and fixtures
- Paste-over for crack injection

### CODE REPORTS

- ICC Evaluation Service [ESR-1772](#) (formerly ICBO-ES ER-5279) (PDF) (CMU & URM)
- City of L.A. [RR25279](#) (PDF)
- Caltrans approved
- Florida Statewide Product Approval [FL11506.4](#)
- [multiple DOT listings](#)
- [NSF/ANSI Standard 61 \(216 in<sup>2</sup>/1000 gal\)](#) (PDF), except SET1.7KTA
- SET-PAC EZ™ adhesive covered by ICC-ES, City of L.A. and NSF/ANSI listings only

The [load tables](#) list values based upon results from the most recent testing and may not reflect those in current code reports. Where code jurisdictions apply, consult the current

### LINKS:

- [Supplemental Topics for Adhesive Anchors](#)
- [Estimating Guide](#)
- [Limited Warranty Information](#)
- [Tension and Shear Load Tables](#)
- [Load-Adjustment Factors](#)
- Documents:
  - [Anchor Catalog Section](#) (PDF)
  - [Product Submittal](#) (PDF)
  - [Material Safety Data Sheet: SET](#) (PDF)
  - [Material Safety Data Sheet: SET en Español](#) (PDF)
  - [SET-PAC-EZ™ Epoxy-Tie® Anchoring Adhesive Flier](#) (PDF)
  - [Rebar Yield and Tensile Strength Embedments Technical Bulletin](#) (PDF)
  - [Rebar Yield and Tensile Strength Embedments \(Canada\) Technical Bulletin](#) (PDF)
  - [Anchor Tension Loads in Masonry Chair Block Technical Bulletin](#) (PDF)
- Free Softw are:
  - [Anchor Designer](#)
  - [Adhesive Cartridge Quantity Estimator](#)



reports for applicable load values.

**APPLICATION**

Surfaces to receive epoxy must be clean. For installations in or through standing water, see Supplemental Topics for Adhesive Anchors for details. The base material temperature must be 40° F or above at the time of installation. For best results, material should be 70° - 80° F at the time of application. Cartridges should not be immersed in water to facilitate warming. To warm cold material, the cartridges should be stored in a warm, uniformly heated area or storage container for a sufficient time to allow epoxy to warm completely. Mixed material in nozzle can harden in 5-7 minutes at a temperature of 40° F or above.

**TEST CRITERIA**

Anchors installed with SET Epoxy-Tie® adhesive have been tested in accordance with ICC-ES's *Acceptance Criteria for Adhesive Anchors (AC58)* for the following:

- Seismic/wind loading
- Long-term creep at elevated-temperature
- Static loading at elevated-temperature
- Damp and water-filled holes
- Freeze-thaw conditions
- Critical and minimum edge distance and spacing

In addition, anchors installed with SET Epoxy-Tie® adhesive have been tested in accordance with ICC-ES's *Acceptance Criteria for Unreinforced Masonry Anchors (AC60)*.

PROPERTY	TEST METHOD	RESULTS
Consistency	ASTMC 881	Non-sag/ thixotropic paste
Heat deflection	ASTMD 648	136° F (58° C)
Bond strength (moist cure)	ASTMC 882	3,218 psi (2 days) 3,366 psi (14 days)
Water absorption	ASTMD 570	0.110% (24 hrs)
Compressive yield strength	ASTMD 695	5,065 psi (24 hours) 12,650 psi (7 days)
Compressive modulus	ASTMD 695	439,000 psi ( 7 days)
Gel time (75° F)	ASTMC 881	30 min - 60 gram mass 60 min - thin film

**ACCESSORIES / RELATED PRODUCTS**

- Dispensing Tools
- Mixing Nozzles
- Plastic Anchoring Screens
- Steel Anchoring Screens
- Hole Cleaning Brushes

**SUGGESTED SPECIFICATIONS**

Anchoring adhesive shall be a two-component high-solids epoxy based system supplied in manufacturer's standard cartridge and dispensed through a static-mixing nozzle supplied by the manufacturer. Epoxy shall meet the minimum requirements of ASTM C-881 specification for Type I, II, IV, and V, Grade 3, Class B and C and must develop a minimum 12,650 psi compressive yield strength after 7 day cure. Epoxy must have a heat deflection temperature of a minimum 136°F (58°C). Adhesive shall be SET Epoxy-Tie® adhesive from Simpson Strong-Tie, Pleasanton, CA. Anchors shall be installed per Simpson Strong-Tie instructions for SET Epoxy-Tie® adhesive.

**ASD DESIGN EXAMPLE**

For design example, [click here](#).

**INSTALLATION**

**IMPORTANT** For installation instructions, [click here](#).

**SHELF LIFE**

24 months from date of manufacture in unopened side-by-side cartridge. SET-PAC EZ™ cartridge - 24 months from date of manufacture, unopened.

**STORAGE CONDITIONS**

For best results store between 45° F - 90° F. To store partially used cartridges, leave hardened nozzle in place. To re-use, attach new nozzle.

**COLOR**

Resin – white, hardener – black  
When properly mixed SET adhesive will be a uniform light gray color.

**CLEAN UP**

Uncured material – Wipe up with cotton cloths. If desired scrub area with abrasive, waterbased cleaner and flush with water. If approved, solvents such as ketones (MEK, acetone, etc.), lacquer thinner or adhesive remover can be used. **DO NOT USE SOLVENTS TO CLEAN ADHESIVE FROM SKIN.** Take appropriate precautions when handling flammable solvents. Solvents may damage surfaces to which they are applied. Cured material – Chip or grind off surface.

**CHEMICAL RESISTANCE**

Very good to excellent against distilled water, inorganic acids and alkalis. Fair to good against organic acids and alkalis, and many organic solvents. Poor against ketones. For more detailed information download [Technical Bulletin T-SAS-CHEMRES08](#) (PDF).

## SET Cartridge Systems

Model No.	Capacity ounces (cubic inches)	Cartridge Type	Carton Quantity	Dispensing Tool(s)	Mixing <sup>4</sup> Nozzle
SET1.7KTA	1.7 (3.1)	side-by-side	12	Adaptor included for standard caulking tool	EMN1.7 (2 included)
SET-PAC-EZ	8.5 (16.2)	single	12	CDT10 or high quality standard caulking tool	2 included
SET22	22 (39.7)	side-by-side	10	EDT22B, EDT22AP, or EDT22CKT	EMN22i
SET56	56 (101.1)	side-by-side	6	EDT56AP	EMN22i or EMN50

1. Bulk containers also available, [contact Simpson Strong-Tie](#) for details.
2. [Cartridge and bulk estimation guides](#) are available.
3. [Detailed information](#) on dispensing tools, mixing nozzles and other adhesive accessories is available.
4. Use only appropriate Simpson Strong-Tie mixing nozzle in accordance with Simpson's instructions. Modification or improper use of mixing nozzle may impair epoxy performance.

## Cure Schedule

Base Material Temperature		Cure Time
°F	°C	
40	4	72 hrs.
65	18	24 hrs.
85	29	20 hrs.
90	32	16 hrs.

## In-Service Temperature Sensitivity

Base Material Temperature		Percent Allowable Load
°F	°C	
40	4	100%
70	21	100%
110	43	100%
135	57	75%
150	66	44%
180	82	20%

1. Refer to temperature sensitivity chart for allowable bond strength reduction for temperature. See [Supplemental Topics for Adhesive Anchors](#).
2. Percent allowable load may be linearly interpolated for intermediate base material temperatures.
3.  $^{\circ}\text{C} = (^{\circ}\text{F} - 32) / 1.8$

top ▲



# POLY-TEMP<sup>®</sup> MD MEDIUM DENSITY THREAD SEAL TAPE

[WWW.ANTISEIZE.COM](http://WWW.ANTISEIZE.COM)

## Product Description

**POLY-TEMP<sup>®</sup> MD** Medium Density Thread Seal Tape is a general purpose PTFE Thread Seal Tape designed to be used on all types of metal and plastic pipe threads.

Our **POLY-TEMP<sup>®</sup>** Tapes are made from 99.9% virgin PTFE resins for optimum purity and performance. **POLY-TEMP<sup>®</sup> MD** Medium Density Thread Seal Tape is malleable to easily conform to thread profiles to ensure a positive seal.

Because **POLY-TEMP<sup>®</sup> MD** Medium Density Thread Seal Tape is composed of pure PTFE, it touts an extremely broad range of chemical compatibilities and is unaffected by most chemicals and concentrations.

**POLY-TEMP<sup>®</sup> MD** Medium Density Thread Seal Tape is our most popular grade of thread sealing tape and has been Industry Leader for over 30 years.

## Features & Benefits

- Meets FDA and USDA requirements
- UL Listed
- Ideal for all taper thread connections
- PTFE's high lubricity makes for easy assembly
- Only 3 wraps need for most applications
- Chemically inert, non-Toxic
- Suitable for oxygen service
- Our most popular grade of Thread Seal Tape
- Easy to handle and apply
- Temperature range from -400F to 550F ( -240C to 287C)
- Pressures up to 10,000psi (Liquid), 2000 psi (Gas)
- Connections can be put into service right away, no dry time
- Never dries out and an unlimited shelf life.
- Meets MIL-T-27730A
- Extremely versatile.

## Typical Properties

Property	Value
Color	White
Thickness	3.5 mils
Specific Gravity	0.7 to 0.8g/cc
Toxicity	Non toxic
RoHS	Compliant

## Cautions

Read all information on labels and Material Safety Data Sheets prior to use. All products should be tested and evaluated for a particular purpose prior to use.

## Product Limited Warranty

This information is based on information we believe to be reliable and accurate, but no guarantee of its accuracy is made for a particular application. We urge and recommend that Users pretest their application prior to incorporating the product into use and assume that the User will conduct such testing. Also see warranty statement on website.

## Available In:

**Size:** 1/2"x 60" 1/4"x520" 1/2"x260" 1/2"x520" 1/2"x1296"  
**P/N:** 16006 16025 16030 16035 16040

**Size:** 3/4"x260" 3/4"x520" 1"x260" 1"x520"  
**P/N:** 16045 16050 16055 16060

**Size:** Counter Display 1/2"x260" 1/2"x520" 3/4"x520"  
**P/N:** 16030A 16035A 16050A

**POLY-TEMP<sup>®</sup>** IS A REGISTERED TRADEMARK OF ANTI-SEIZE TECHNOLOGY

**ANTI-SEIZE TECHNOLOGY**

2345 N. 17th AVE. • FRANKLIN PARK, IL 60131-3432  
847-455-2300 • [www.antiseize.com](http://www.antiseize.com)