



## PROJECT LIMITS AND LOCATION MAP

U.S. 41 (S.R.45) IN CHARLOTTE COUNTY, FLORIDA

## TYPICAL PLANTS



SILVER SAW PALMETTO



WAX MYRTLE



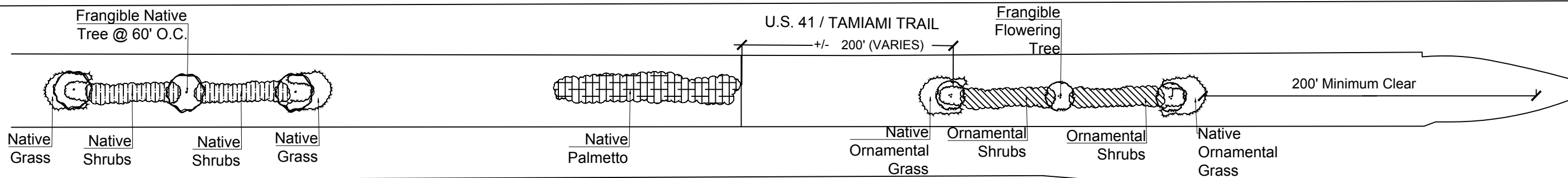
SPANISH STOPPER



MUHLY GRASS



OLEANDER



## PARTIAL PLAN VIEW MEDIAN PLANTING CONCEPT

MEDIAN PLANTINGS TO CONSIST OF NATIVE & ADAPTIVE FRANGIBLE PLANTINGS, SHRUBS AND GROUNDCOVERS

REVISIONS		
DATE	BY	DESCRIPTION

**DMJA**  
 2221 McGregor Blvd.  
 Fort Myers, Florida 33901  
 PHONE: (239) 337-5325  
 FAX: (239) 337-4494  
 DAVID M. JONES, JR. AND ASSOCIATES, INC.  
 LANDSCAPE ARCHITECTS AND PLANNERS  
 L.A. LICENSE: LC 000063



DESIGN PROFESSIONAL:  
 GREGORY J. DISERIO, RLA  
 STATE OF FLORIDA  
 RLA 840 DATE:

DESIGNED BY:  
 GJD  
 CHECKED BY:  
 GJD  
 DMJA PROJ.  
 218135



Charlotte County Public Work  
 7000 Florida Street  
 Punta Gorda, Florida 33950  
 Phone: (941) 575-3658  
 Fax: (941) 575-3653

ROAD NO.  
 COUNTY  
 Charlotte  
 ISSUE DATE:  
 9 / 28 / 18

CHARLOTTE COUNTY GRANT APPLICATION 2018  
 US 41 MEDIANS-  
 Tucker's Grade to Oilwell Road  
 CHARLOTTE COUNTY, FLORIDA

CHARLOTTE COUNTY  
 US 41 (SR 45)  
 MEDIAN LANDSCAPE LIMITS FOR  
 GRANT APPLICATION

SHEET NO.  
 EX-1