

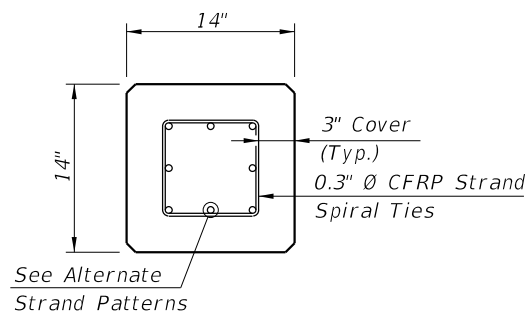
ELEVATION

0.3" Ø CFRP Strand Spiral Ties

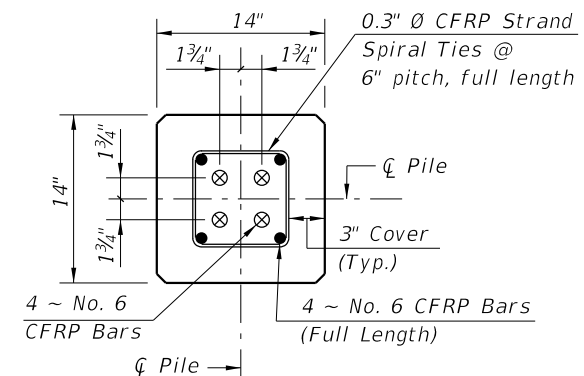
3/4" x 3" Chamfer (Typ.)

ALTERNATE STRAND PATTERNS

- 8 ~ 0.6" Ø, CFRP Strand, at 40 kips
- 8 ~ 1/2" Ø, CFRP Strand, at 39 kips

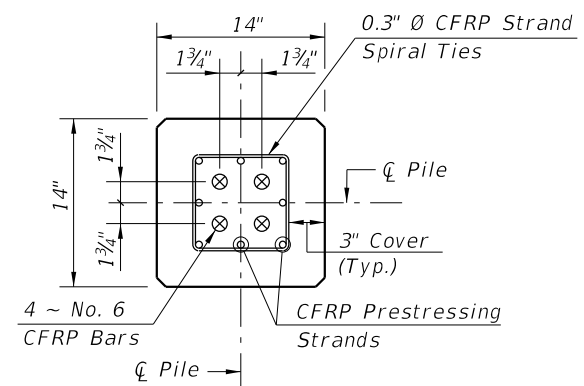


SECTION A-A



SECTION D-D

(See Nondrivable Unforeseen Reinforced Precast Splice Detail)



SECTION E-E

(See Drivable Unforeseen Prestressed Precast Splice Detail)

PILE SPLICE REINFORCEMENT DETAILS

NOTES:

1. Work this Index with Index D22600 - Notes and Details for Square CFRP Prestressed Concrete Piles and Index D22601 - Square CFRP Prestressed Concrete Pile Splices.
2. Any of the given Alternate Strand Patterns may be utilized. The strands shall be located as follows:
Place one strand at each corner and equally space the remaining strands between the corner strands.
The total strand pattern shall be concentric with the nominal concrete section of the pile.

For Information Only
Not For Construction

SDATES STIMES

LAST REVISION 11/01/14	REVISION	DESCRIPTION:	DEVELOPMENTAL DESIGN STANDARDS	14" SQUARE CFRP PRESTRESSED CONCRETE PILE	INDEX NO. D22614	SHEET NO. 1 of 1
---------------------------	----------	--------------	---------------------------------------	---	----------------------------	----------------------------