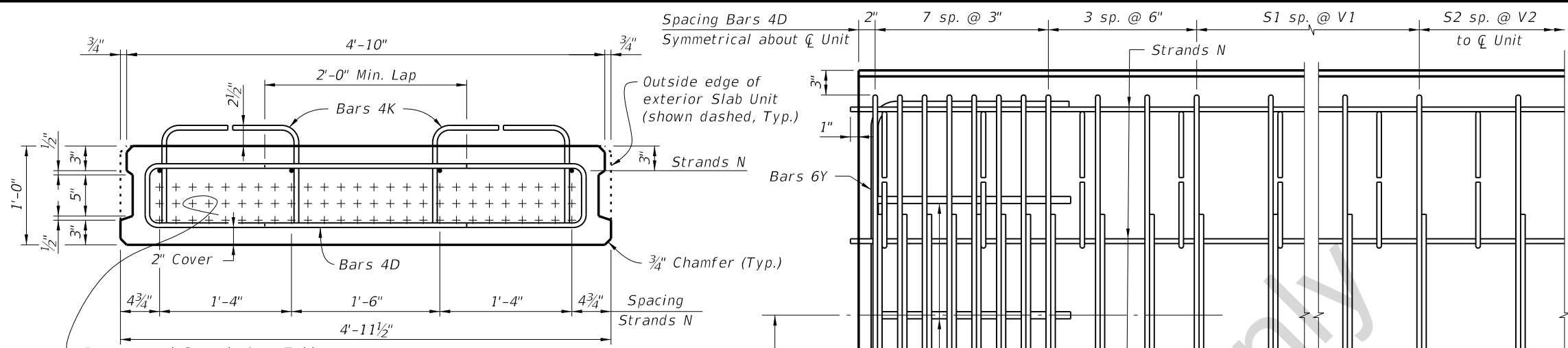
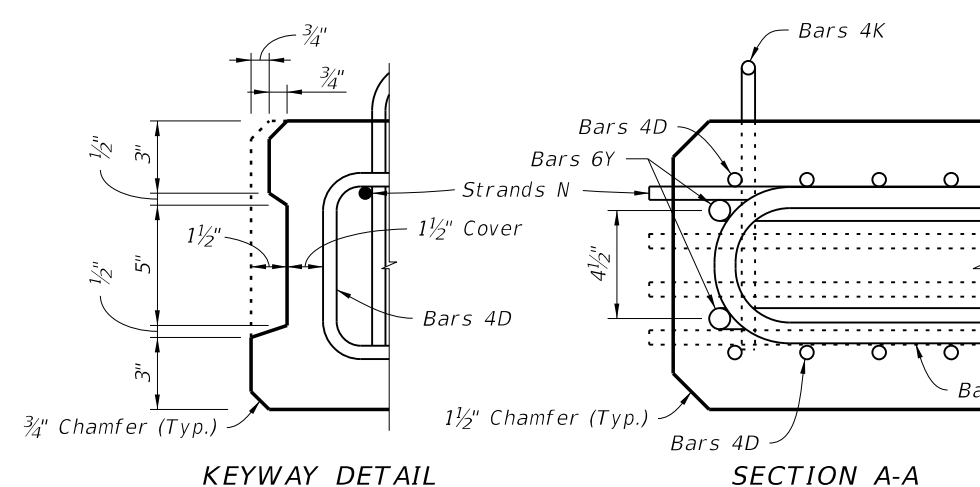


C:\projects\standards\structures\current\view_design_std\20300_psu\20355-1of1.dgn
RD960DM
2:37:38 PM
4/28/2014

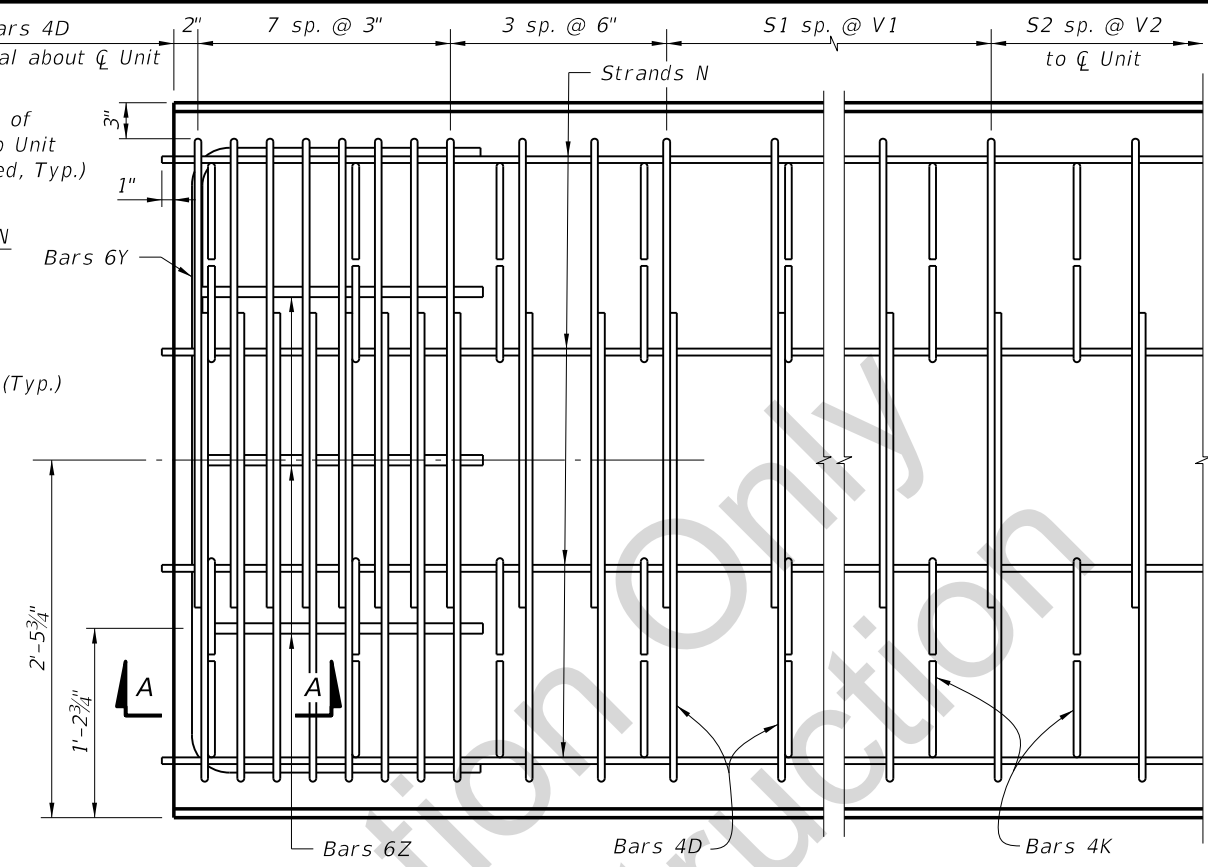


TYPICAL SECTION

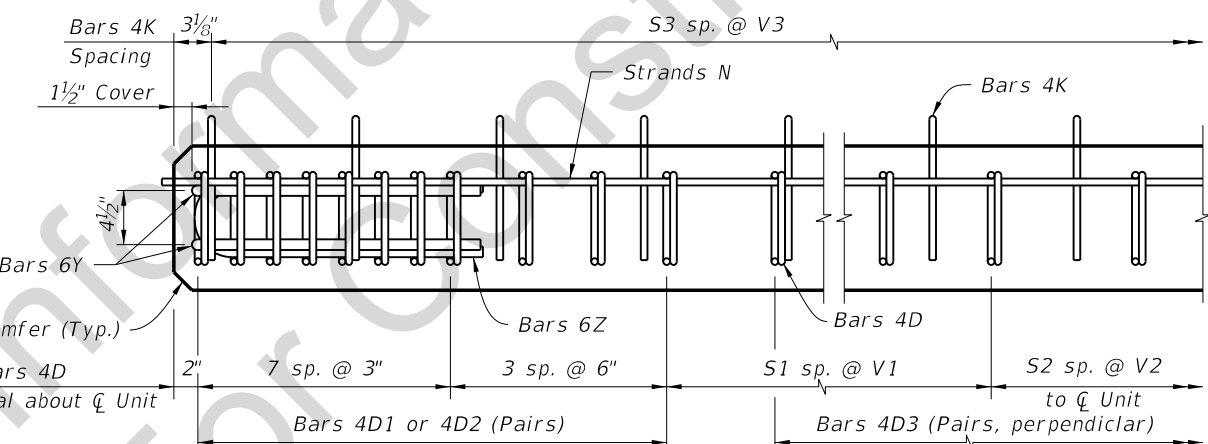


KEYWAY DETAIL

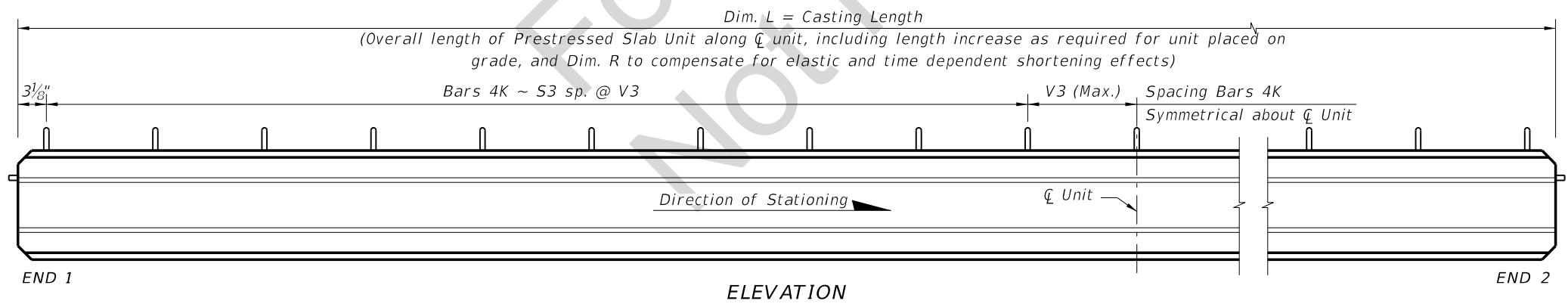
SECTION A-A



PLAN AT END OF PRESTRESSED SLAB UNIT

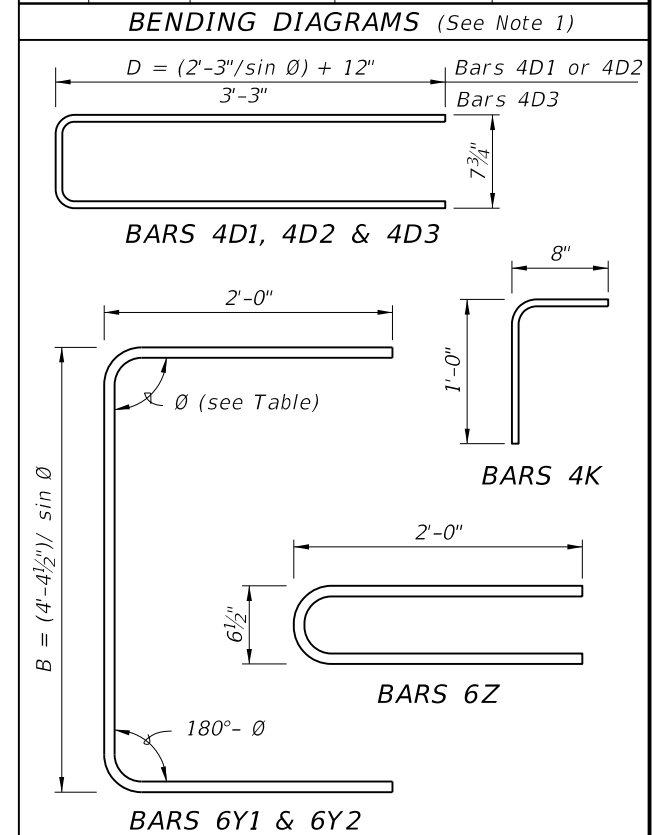


ELEVATION AT END OF PRESTRESSED SLAB UNIT



ELEVATION

BILL OF REINFORCING STEEL FOR ONE UNIT ONLY				
MARK	SIZE	NOTE NUMBERS	NUMBER REQUIRED	LENGTH (NOTE 1)
D1	4	4, 5, 10	20 (End 1)*	Varies
D2	4	4, 5, 10	20 (End 2)*	Varies
D3	4	5	See Table	7'-2"
K	4	4, 5	See Table	1'-8"
N	3/8" Ø Strands	2, 9	4	Dim. L + 2"
Y1	6	4, 10	2 (End 1)	Varies
Y2	6	4, 10	2 (End 2)	Varies
Z	6	-	6	4'-7"



NOTES:
Work this Index with Index No. D20350 and Prestressed Standard Slab Units - Table of Variables in Structures Plans.

For Dimensions B, D, L, R, V1 thru V3 and number of spaces S1 thru S3, see Prestressed Standard Slab Units - Table of Variables in Structures Plans.

For referenced notes, see Index No. D20350, Sheet 1.

* See Note 4 for additional Bars 4D1 or 4D2 for skewed units.