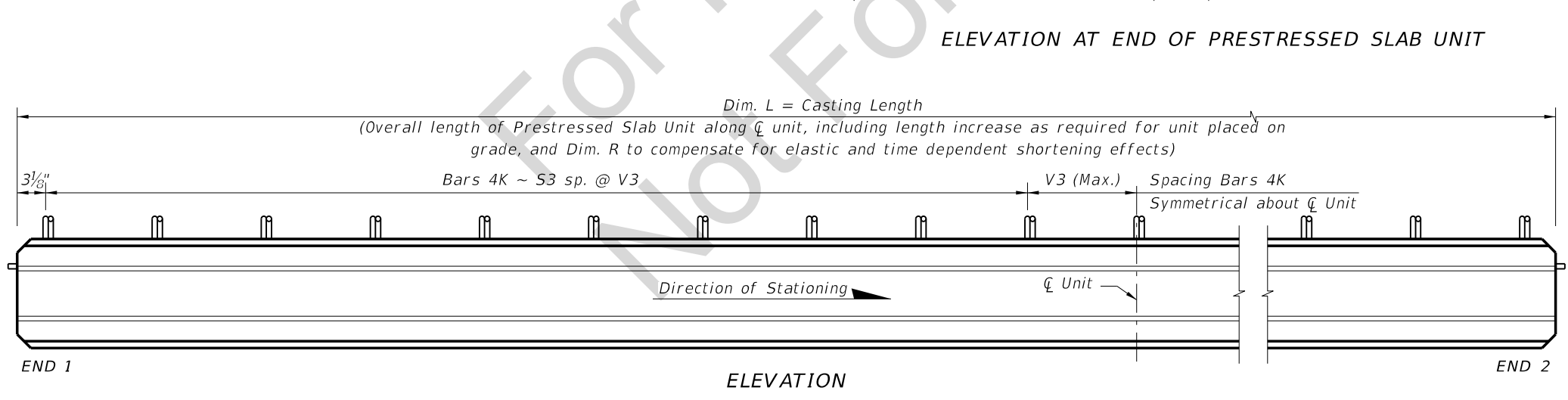
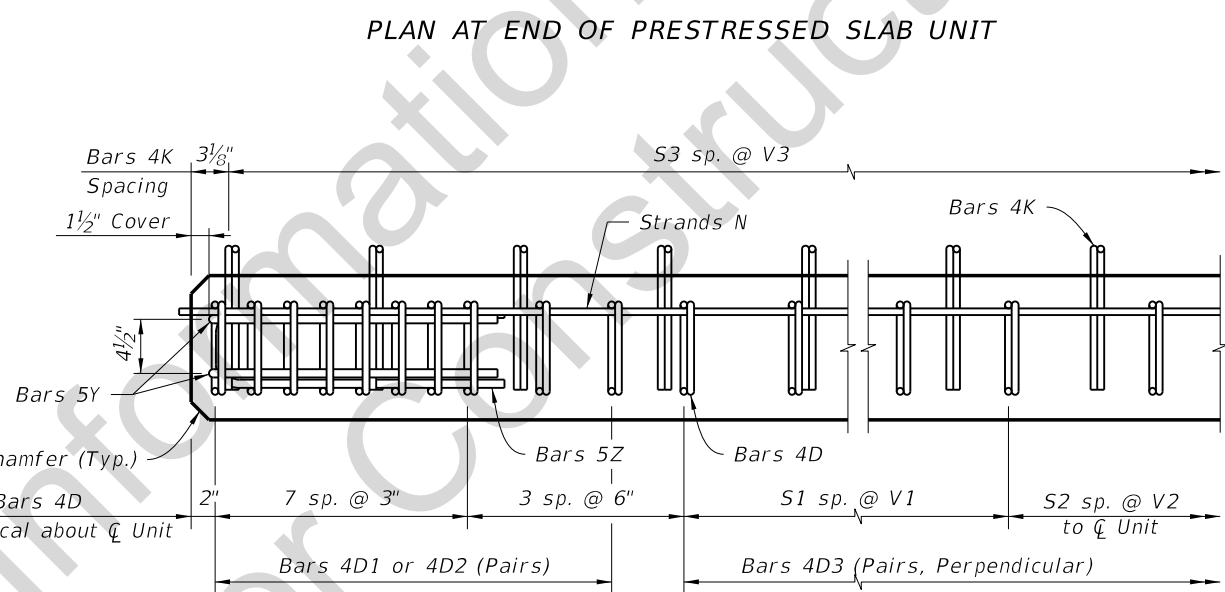
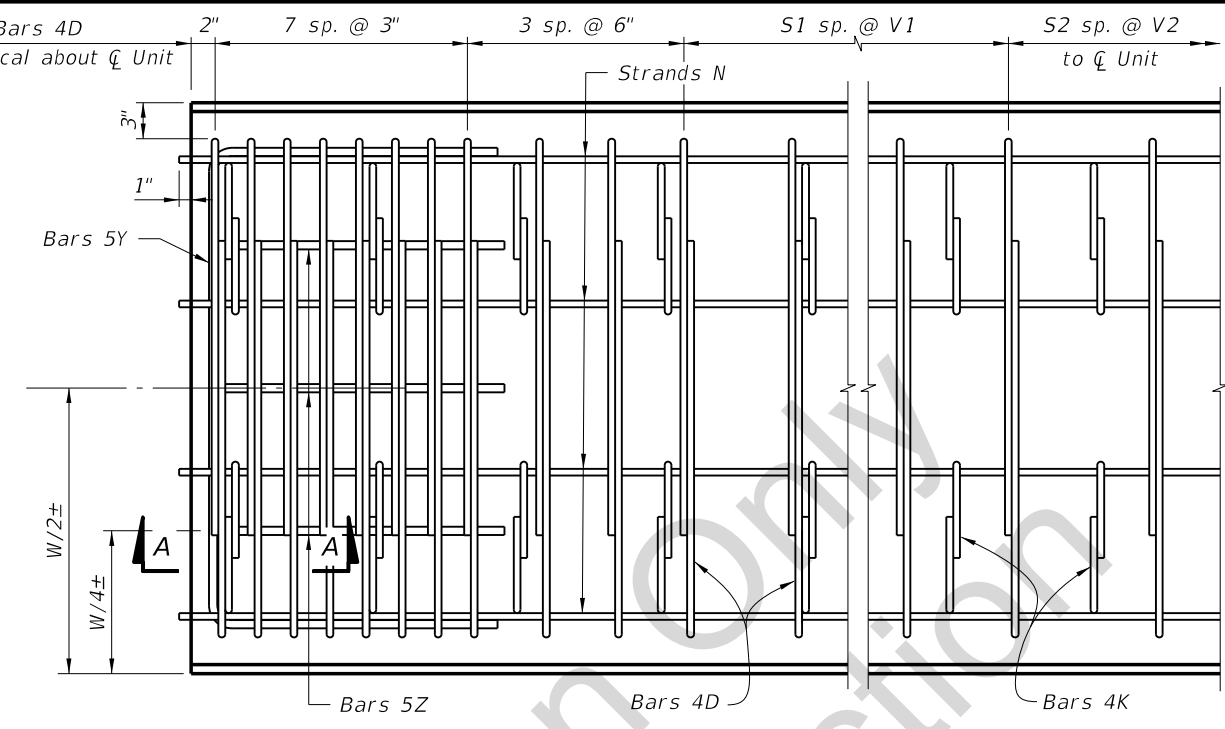
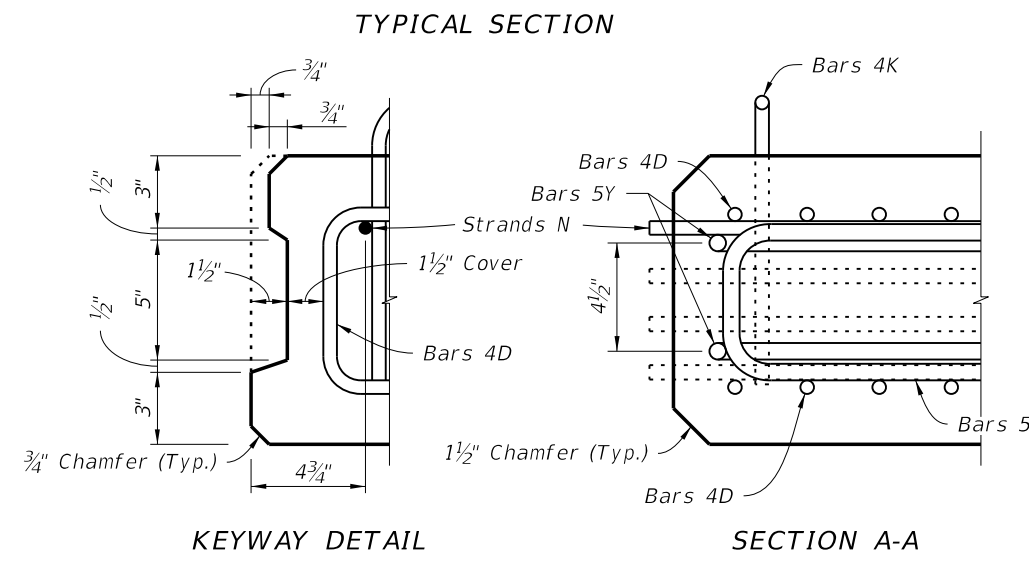
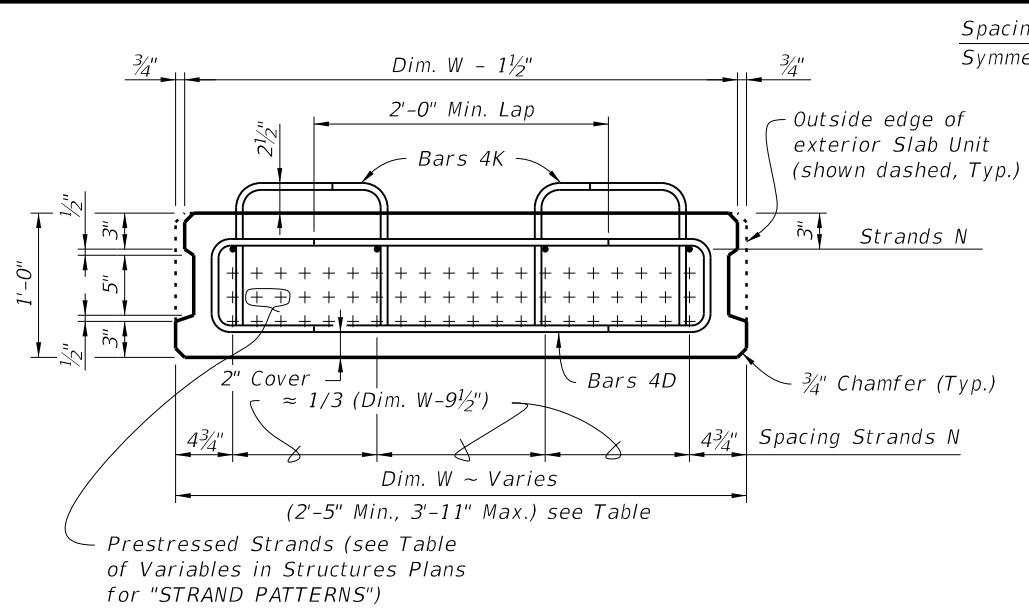
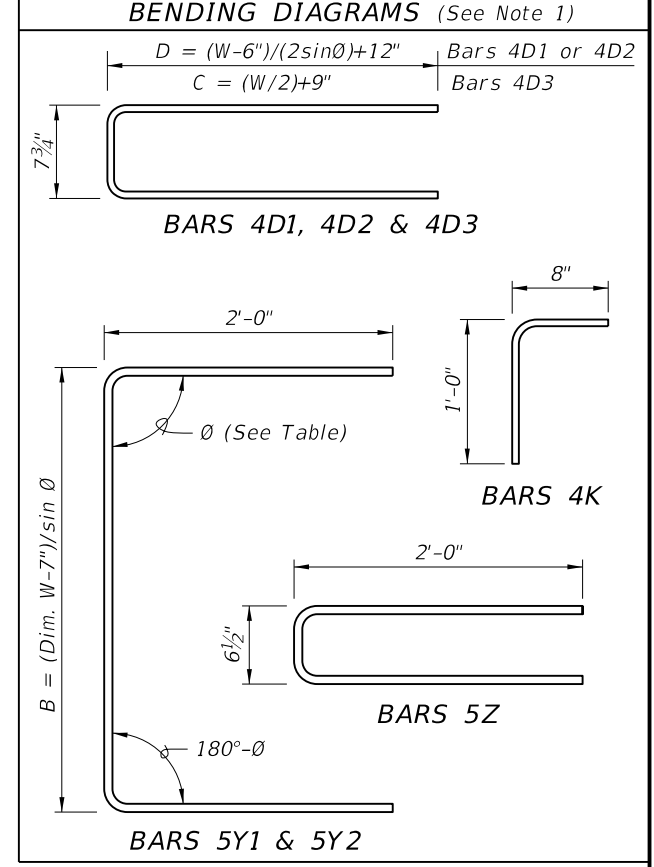


C:\projects\standards\structures\current\dev_design_std\20300_pos\20353-1of1.dgn
RD960DM
2:30:25 PM
4/28/2014



BILL OF REINFORCING STEEL FOR ONE UNIT ONLY

MARK	SIZE	NOTE NUMBERS	NUMBER REQUIRED	LENGTH (NOTE 1)
D1	4	4, 5, 10	20 (End 1)*	Varies
D2	4	4, 5, 10	20 (End 2)*	Varies
D3	4	5	See Table	Varies
K	4	4, 5	See Table	1'-8"
N	3/8" $\bar{\phi}$ Strands	2, 9	4	Dim. L + 2"
Y1	5	4, 10	2 (End 1)	Varies
Y2	5	4, 10	2 (End 2)	Varies
Z	5	-	6	4'-7"



NOTES:
Work this Index with Index No. D20350 and Prestressed Custom Width Slab Units - Table of Variables in Structures Plans.
For Dimensions B, C, D, L, R, W, V1 thru V3 and number of spaces S1 thru S3, see Prestressed Custom Width Slab Units - Table of Variables in Structures Plans.
For referenced notes, see Index No. D20350, Sheet 1.
* See Note 4 for additional Bars 4D1 or 4D2 for skewed units.