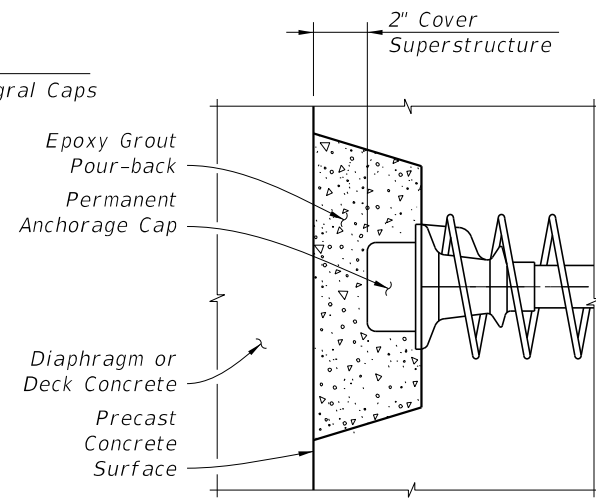
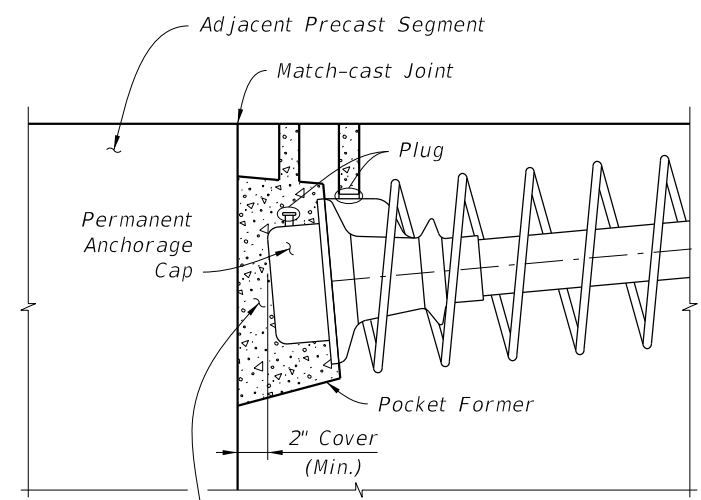


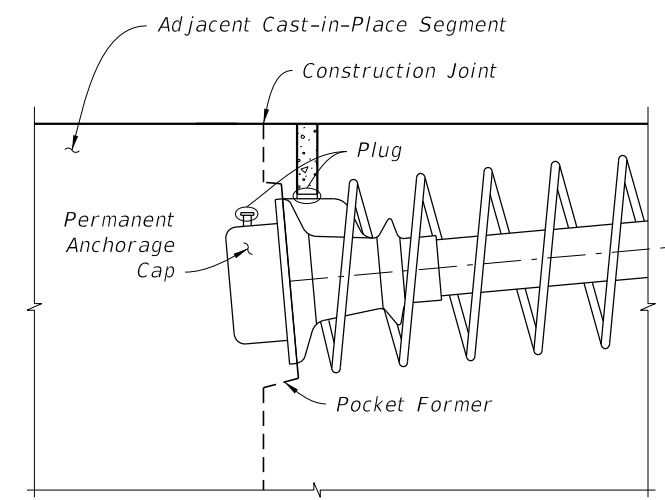
TYPE 1



TYPE 2

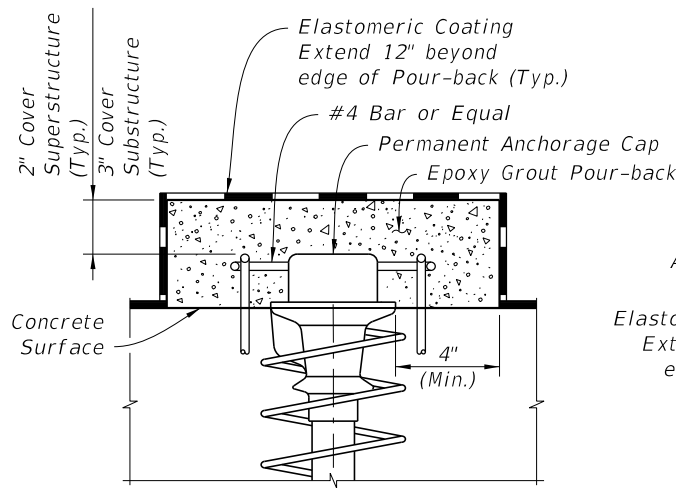


TYPE 3A

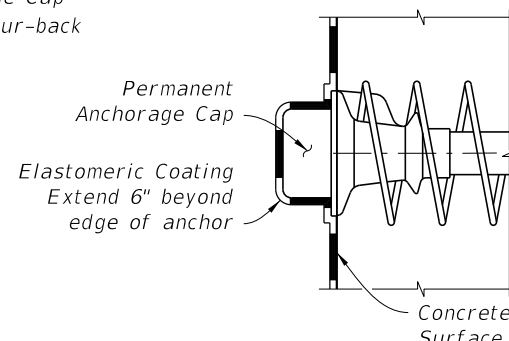


TYPE 3B

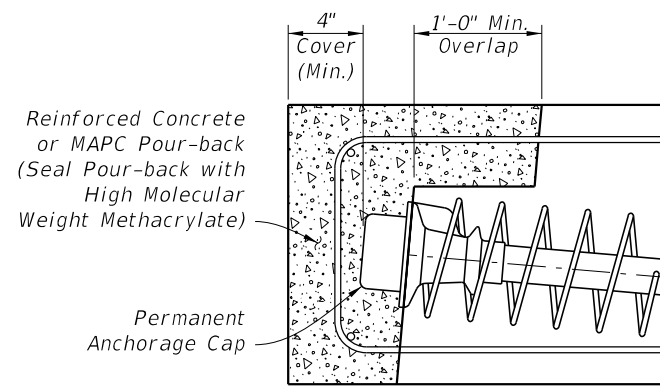
Epoxy Grout Pour-back placed after permanent tendons anchored in adjacent segment have been stressed



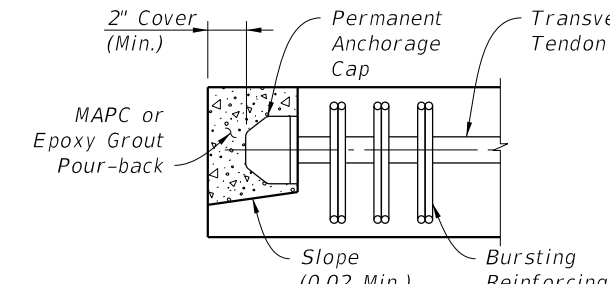
TYPE 4



TYPE 5



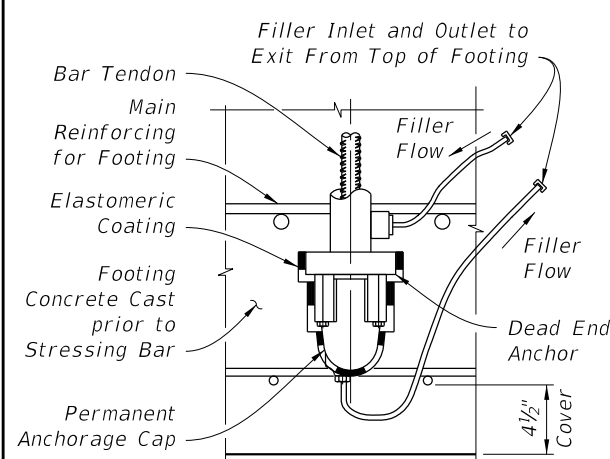
TYPE 6



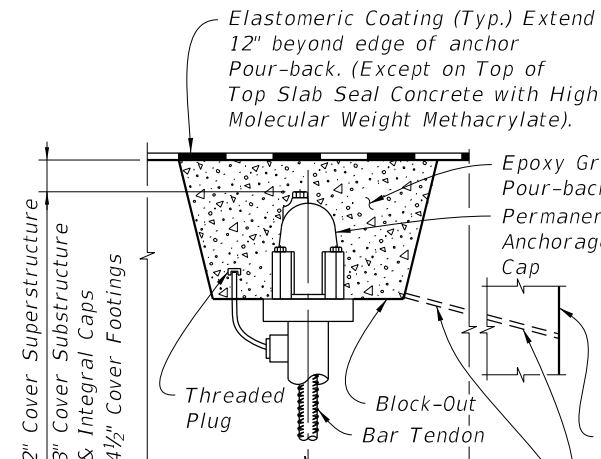
TYPE 7

- Type 7 Notes:
1. Traffic or Pedestrian/Bicycle Railing not shown for clarity.
 2. Where Pour-back is not protected by Traffic or Pedestrian/Bicycle Railing, Coat Pour-back with High Molecular Weight Methacrylate.

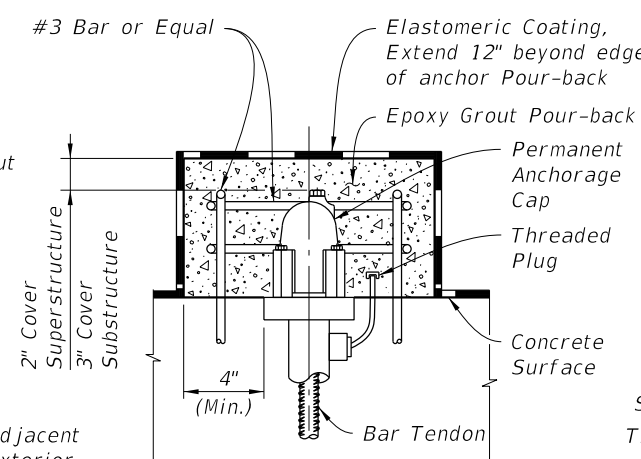
ANCHORAGE PROTECTION FOR STRAND TENDONS



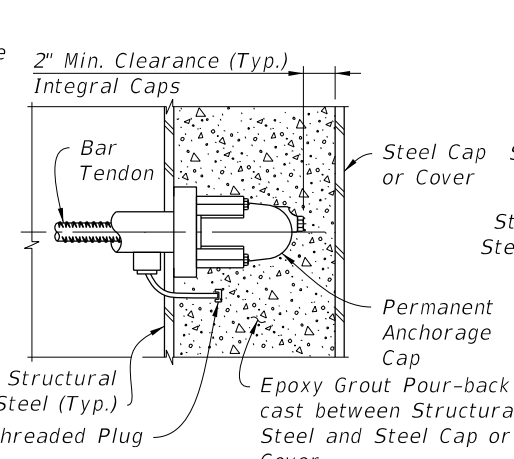
TYPE 8



TYPE 9

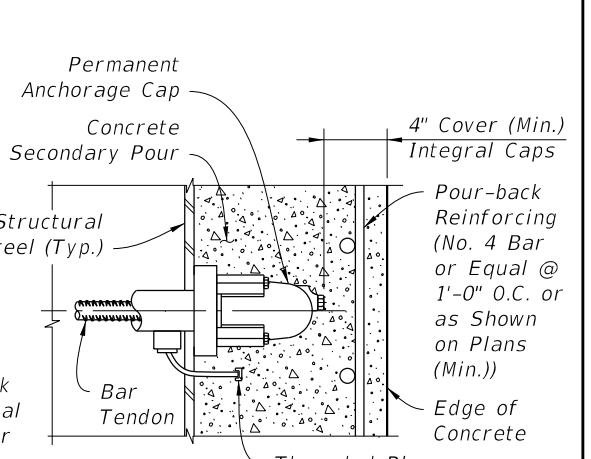


TYPE 10



TYPE 11

(Shear Studs not Shown for Clarity)



TYPE 12

(Shear Studs not Shown for Clarity)

ANCHORAGE PROTECTION FOR BAR TENDONS

10/26/2016 9:17:31 AM

LAST REVISION 11/01/16	REVISION	DESCRIPTION:
---------------------------	----------	--------------