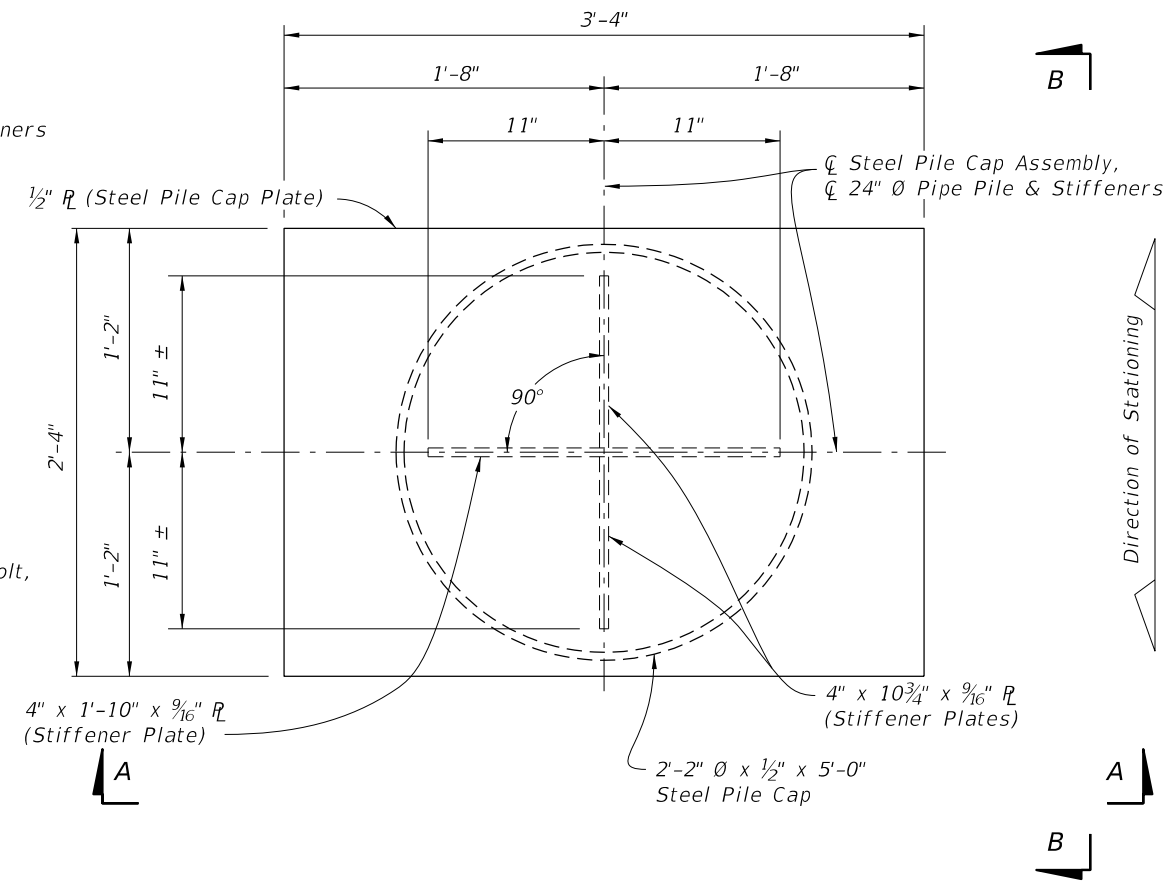
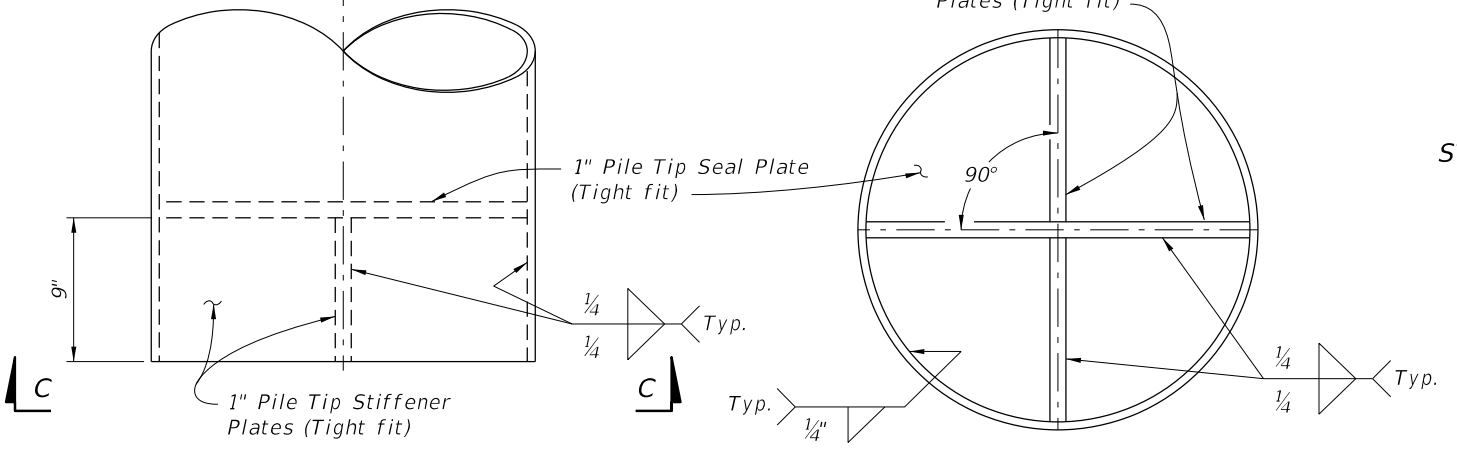


PARTIAL VIEW A-A

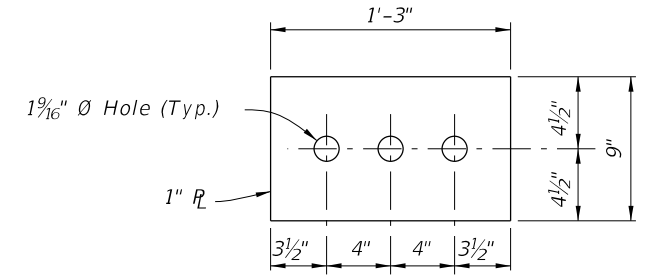


PLAN VIEW STEEL PILE CAP ASSEMBLY
(Bearing Plates and Bearing Keeper Bars not show for clarity)



VIEW B-B

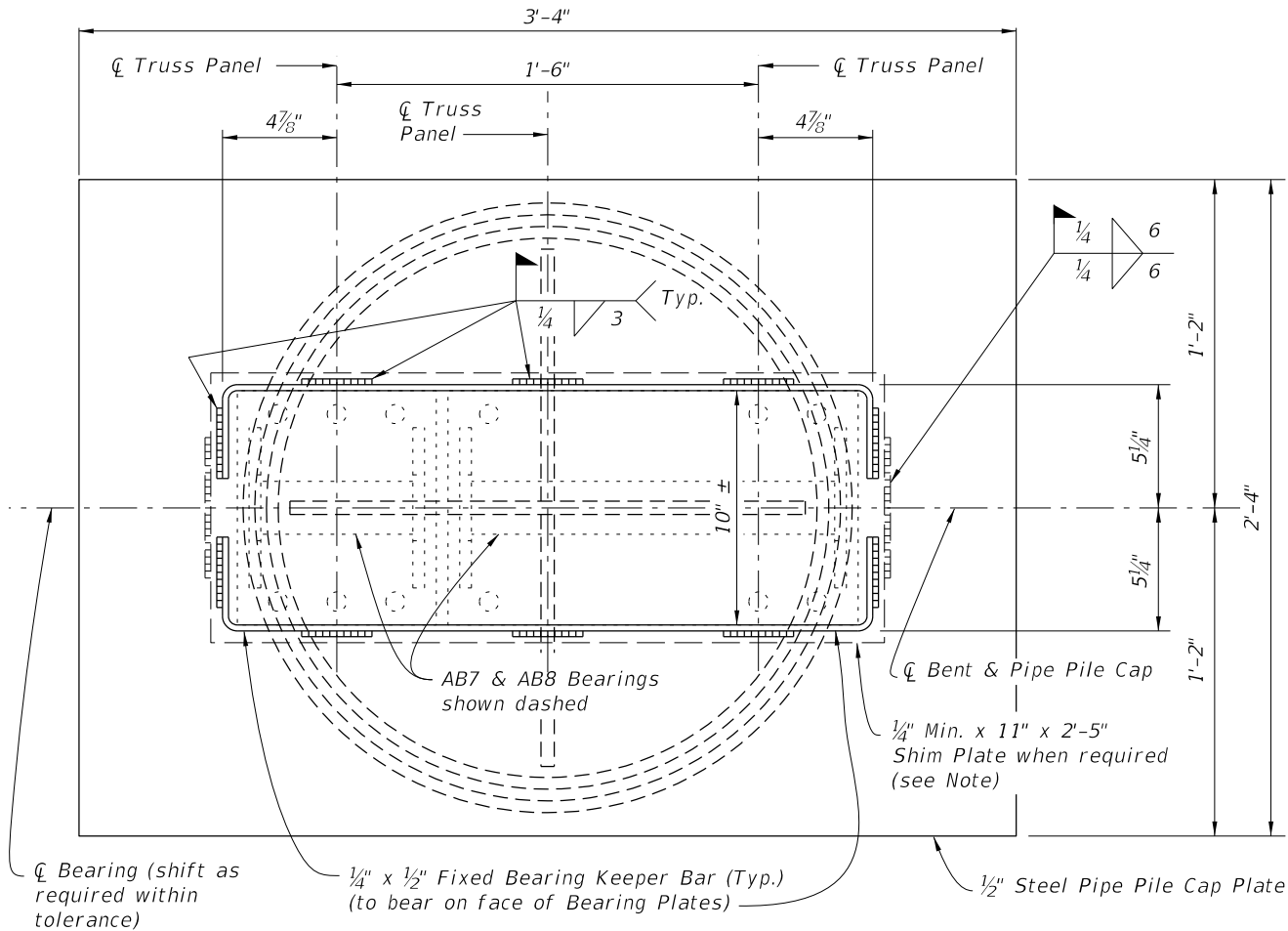
VIEW C-C
PILE TIP DETAIL



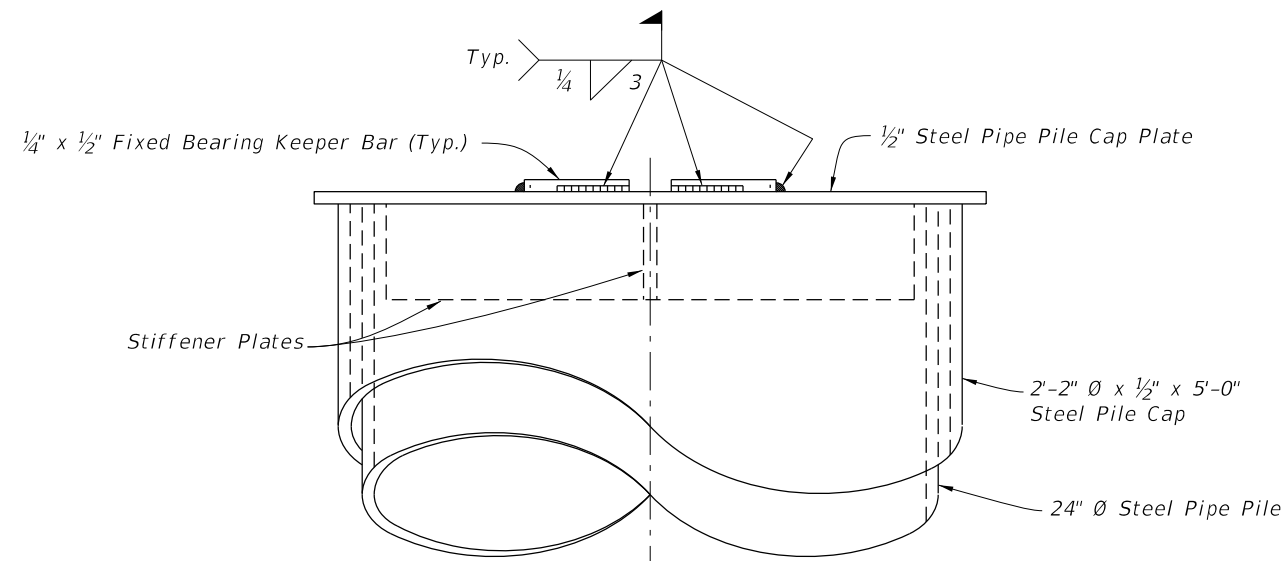
STRUT CONNECTOR PLATE DETAIL

10/26/2016 9:11:06 AM

LAST REVISION 07/01/15	REVISION	DESCRIPTION:	FY 2017-18 DESIGN STANDARDS	TEMPORARY DETOUR BRIDGE DETAILS STEEL PIPE PILE FOUNDATIONS	INDEX NO. 21630	SHEET NO. 1 of 3
---------------------------	----------	--------------	--	--	---------------------------	----------------------------

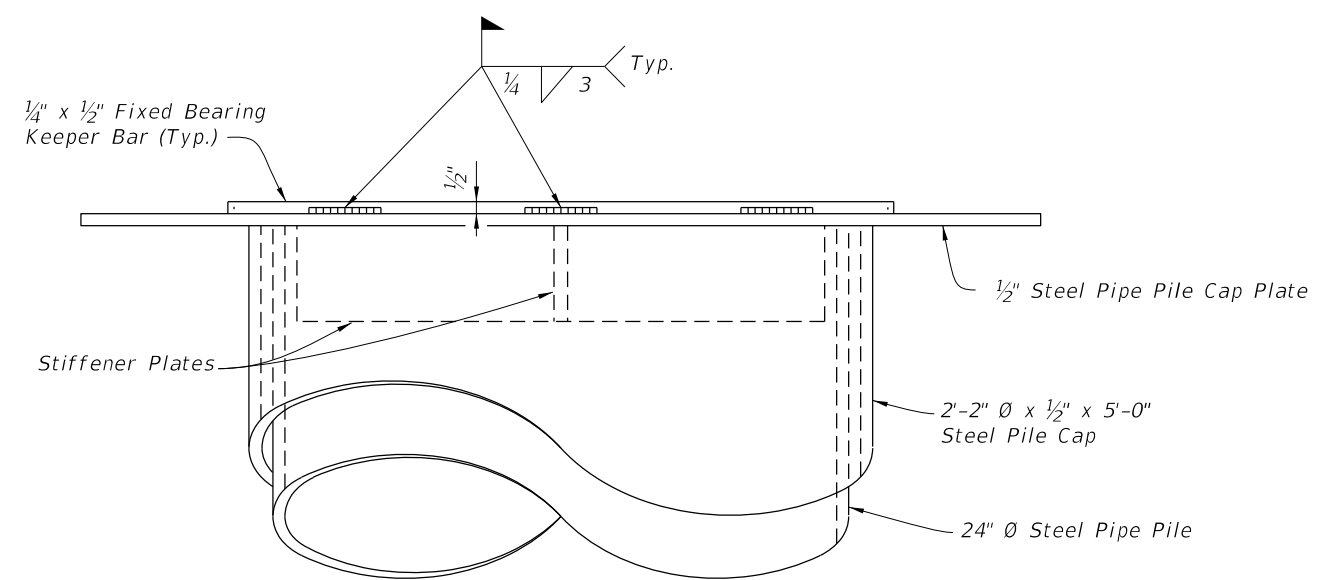


PARTIAL PLAN VIEW

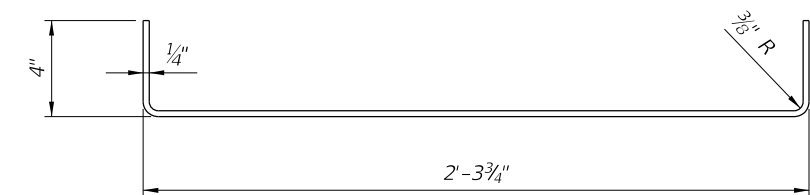


END VIEW

Note:
Use Shim Plates as required to provide equal bearing seat elevations across the bent. Vary thickness of Shim Plate across the pile cap plate to provide a level bearing area in the transverse direction.



PARTIAL ELEVATION VIEW

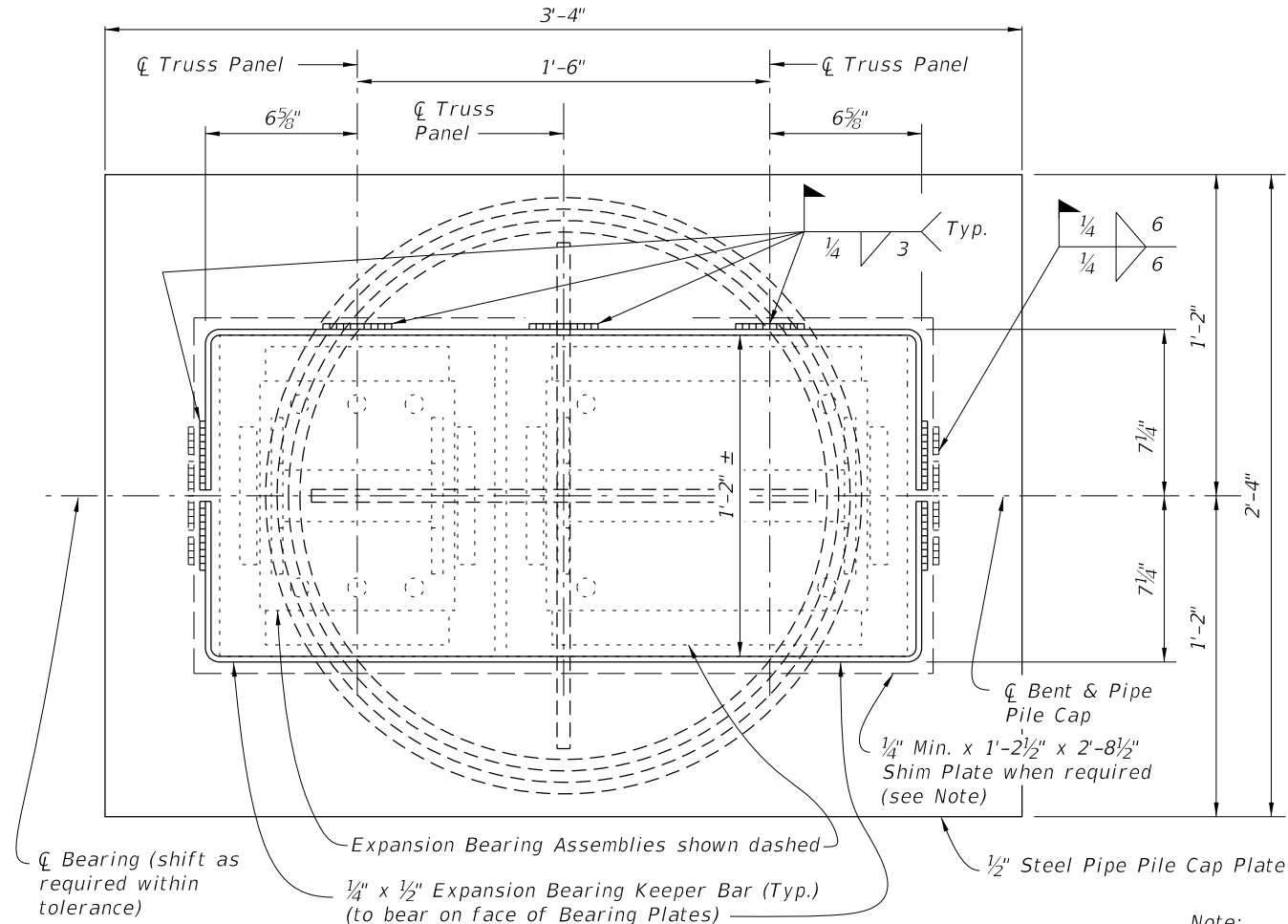


FIXED BEARING KEEPER BAR DETAIL

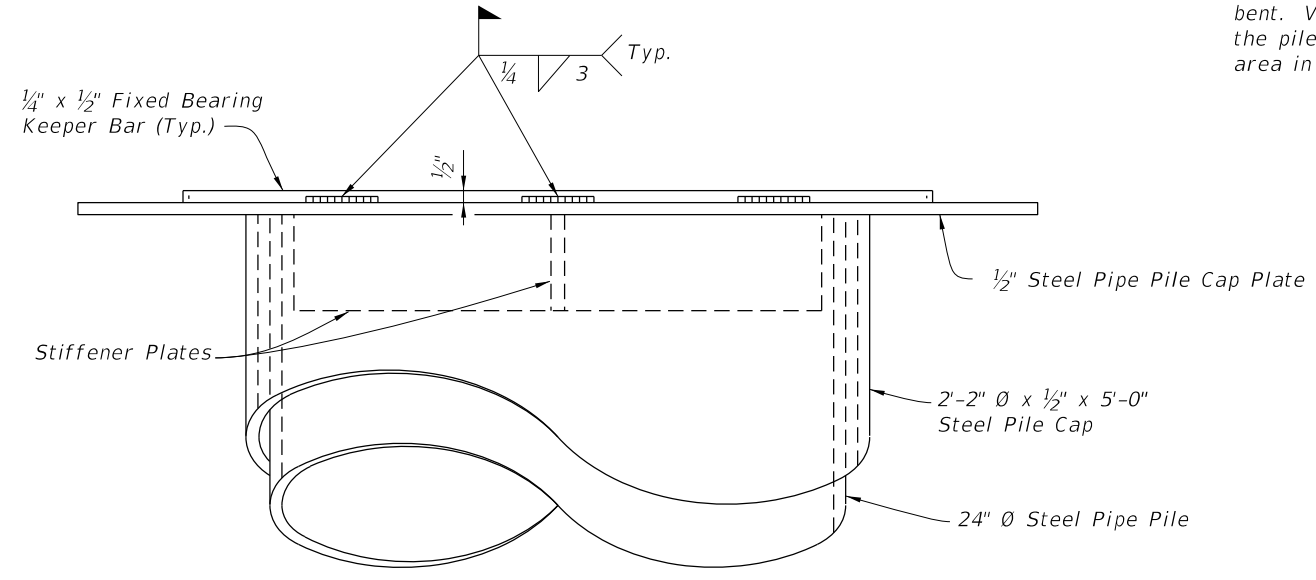
FIXED BEARING DETAILS

10/26/2016 9:11:09 AM

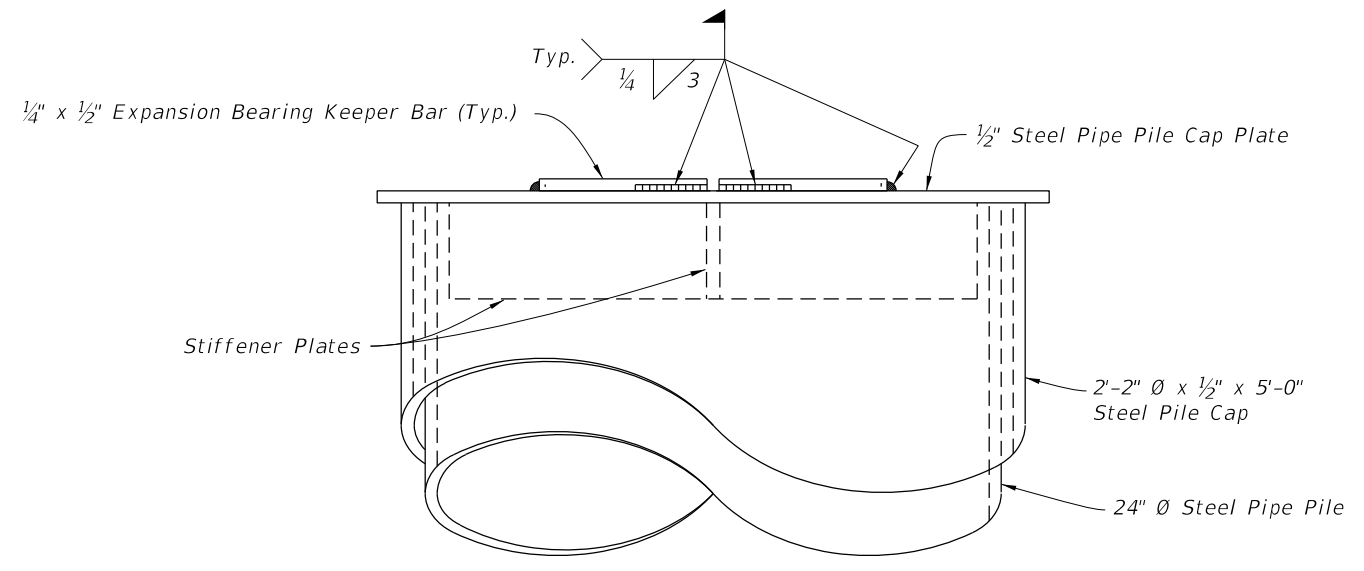
LAST REVISION 01/01/16	REVISION	DESCRIPTION:	 FY 2017-18 DESIGN STANDARDS	TEMPORARY DETOUR BRIDGE DETAILS STEEL PIPE PILE FOUNDATIONS	INDEX NO. 21630	SHEET NO. 2 of 3
---------------------------	----------	--------------	---	--	--------------------	---------------------



PARTIAL PLAN VIEW

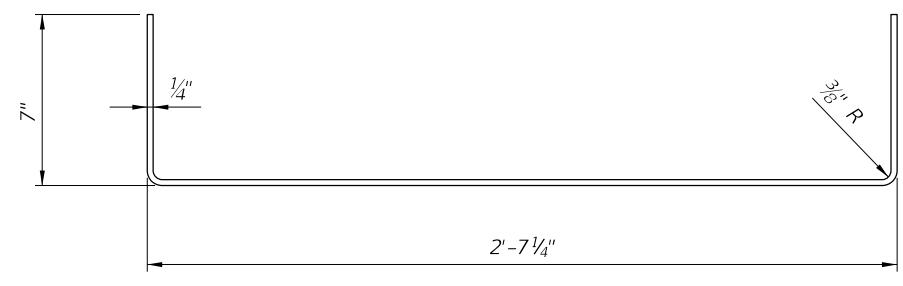


PARTIAL ELEVATION VIEW



END VIEW

Note:
Use Shim Plates as required to provide equal bearing seat elevations across the bent. Vary thickness of Shim Plate across the pile cap plate to provide a level bearing area in the transverse direction.



EXPANSION BEARING KEEPER BAR DETAIL

ABUTMENT AND INTERMEDIATE EXPANSION BEARING DETAILS

10/26/2016 9:11:11 AM

LAST REVISION 01/01/16	DESCRIPTION:	FDOT FY 2017-18 DESIGN STANDARDS	TEMPORARY DETOUR BRIDGE DETAILS STEEL PIPE PILE FOUNDATIONS	INDEX NO. 21630	SHEET NO. 3 of 3
---------------------------	--------------	--	--	--------------------	---------------------