

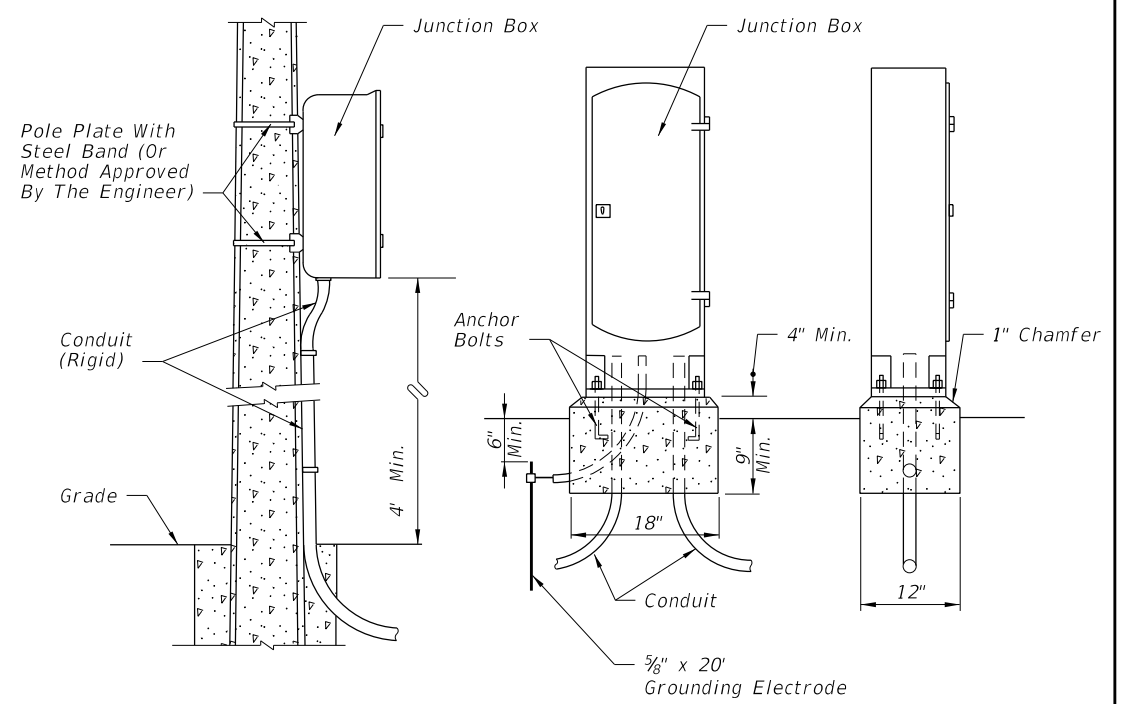
METAL POLE

CONCRETE POLE  
POLE MOUNTED CABINET

WOOD POLE

Liquidtight flexible conduit is approved for use from the electrical disconnect to the cabinet when both are installed on the same pole.

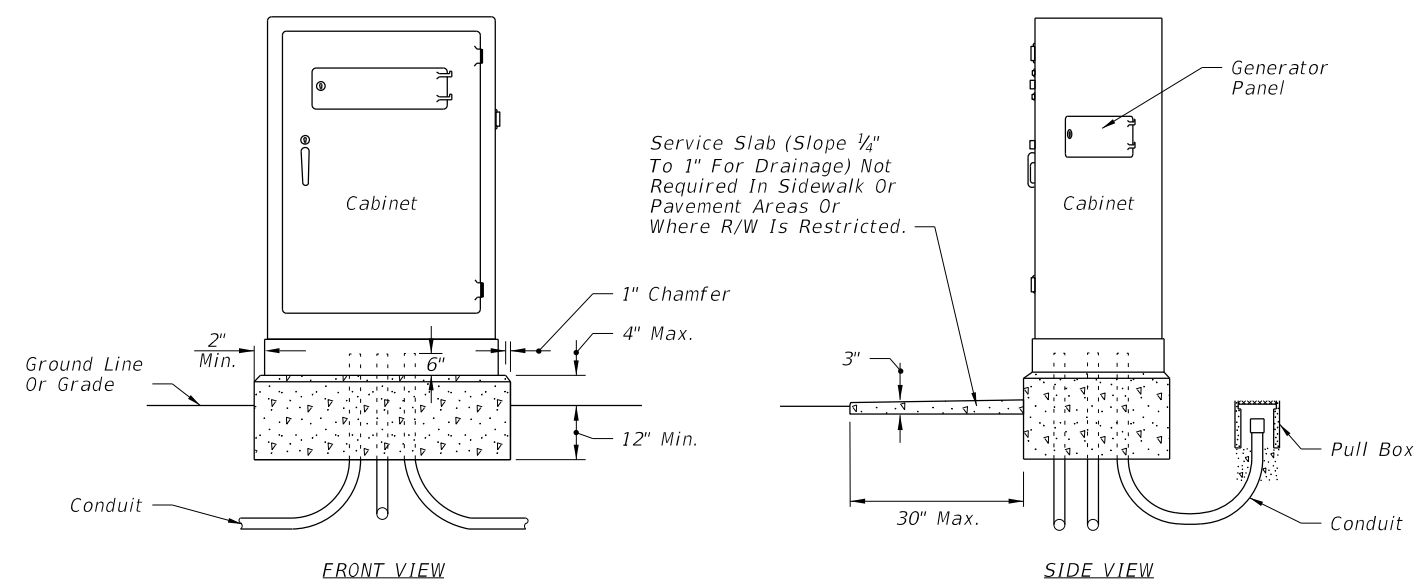
\* If holes for cabinet mounting require relocation, original holes shall be filled in with concrete or covered with a noncorrosive cover plate.



POLE MOUNTED

BASE MOUNTED

INTERCONNECT JUNCTION BOX



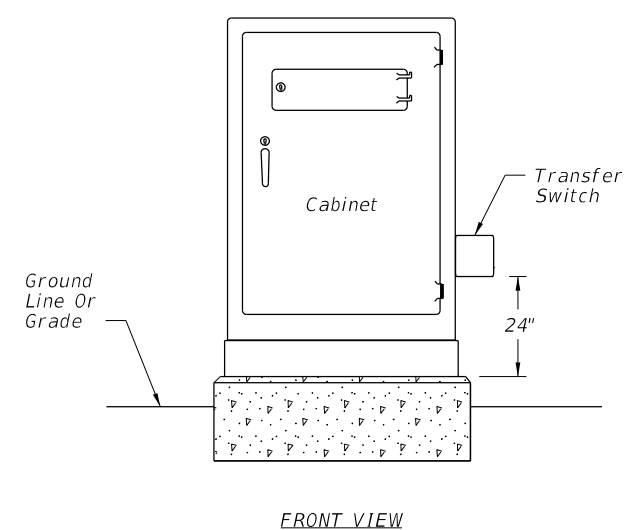
FRONT VIEW

SIDE VIEW

Notes:

1. The number, size and orientation of conduit sweep will vary according to site condition or locations. Two spare 2" PVC conduits shall be provided in all bases. The spares shall exit in the direction of the center rear of the cabinet base, into a pullbox and capped with a weathertight fitting. If obstructions prevent the spare conduit from exiting to the rear, or the rear of the cabinet is located on the R/W line, a side exit of the spare conduits will have to be approved by the project engineer. All spare conduit sweeps shall be capped with a weatherproof fitting.
2. Meet all grounding requirements of the Standard Specifications 620.
3. New Controller Cabinet installation shall meet the requirements of the Standard Specifications 676.

NEW CONTROLLER CABINET

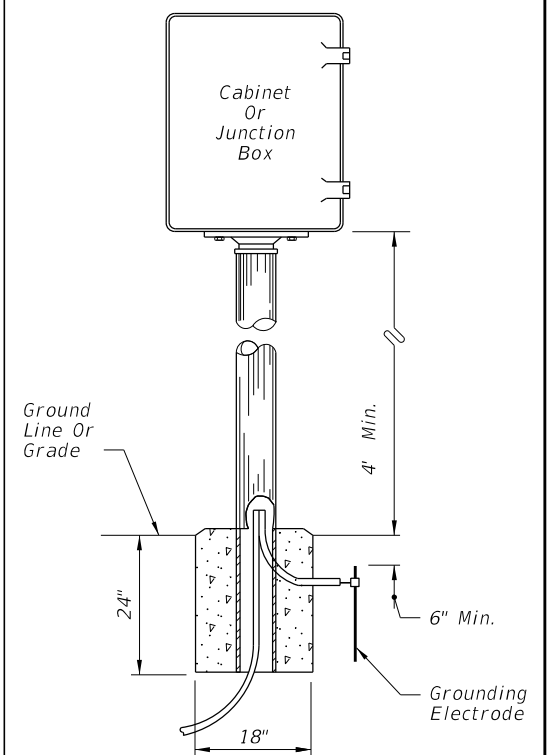


FRONT VIEW

Notes:

1. Existing controller cabinets to be retrofitted shall meet the requirements of the Standard Specifications 678.
2. The signalized intersection controller cabinet retrofit installation procedures are located at: [http://www.fdot.gov/Traffic/Doc\\_Library/Doc\\_Library.shtm](http://www.fdot.gov/Traffic/Doc_Library/Doc_Library.shtm) for Generator Power for Signalized Intersection

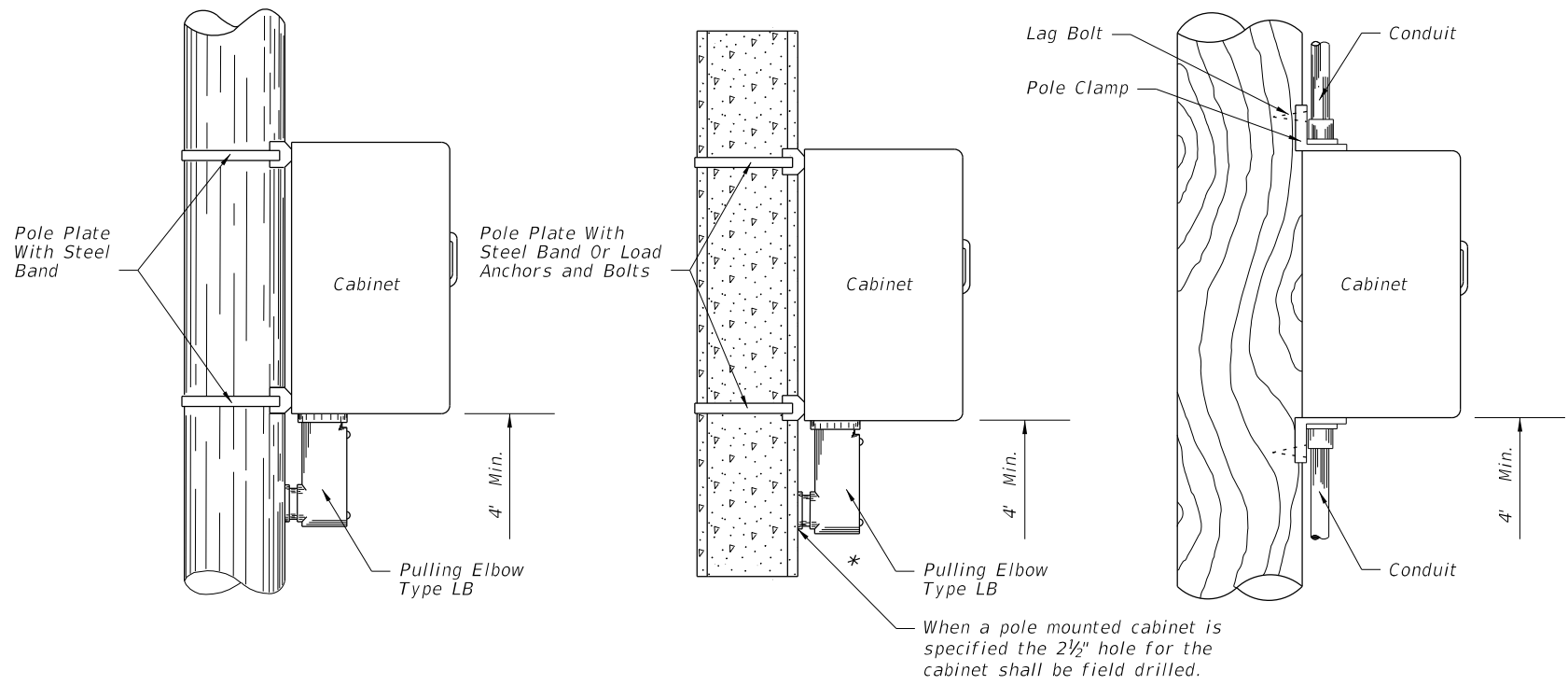
EXISTING CONTROLLER CABINET



PEDESTAL MOUNTED

10/14/2016 1:26:22 PM

LAST REVISION 12/15/14	REVISION	DESCRIPTION:	 FY 2017-18 DESIGN STANDARDS	CABINET INSTALLATION DETAILS	INDEX NO. 17841	SHEET NO. 1 of 1
---------------------------	----------	--------------	------------------------------------	------------------------------	--------------------	---------------------



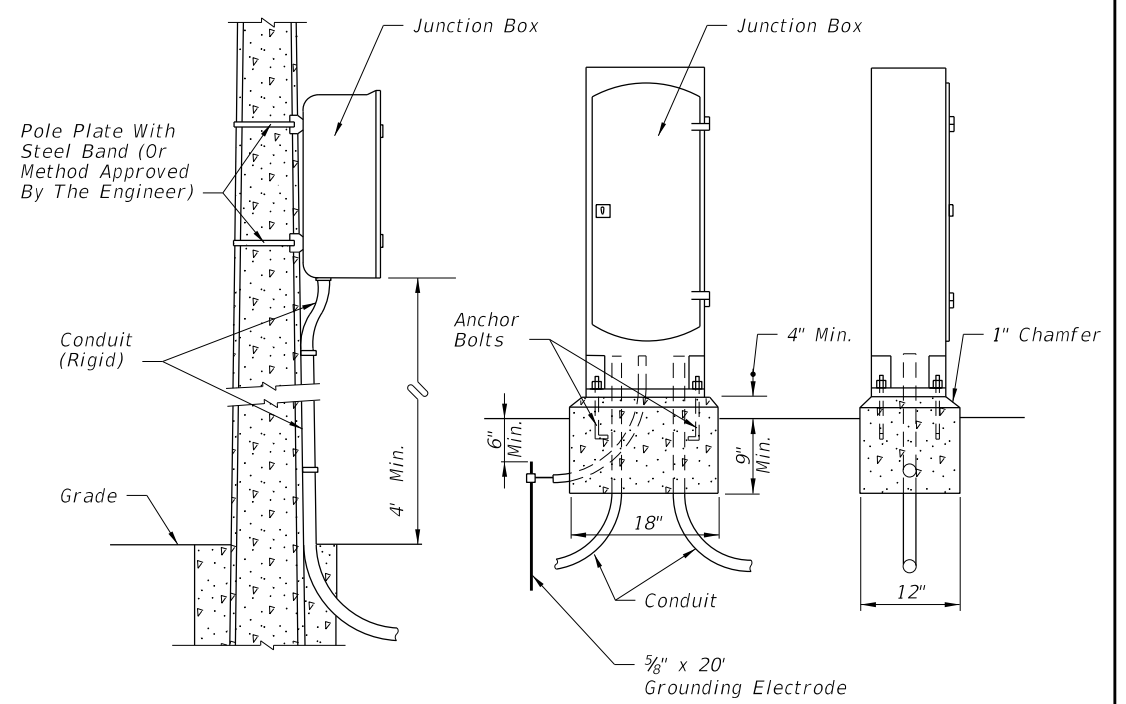
METAL POLE

CONCRETE POLE  
POLE MOUNTED CABINET

WOOD POLE

Liquidtight flexible conduit is approved for use from the electrical disconnect to the cabinet when both are installed on the same pole.

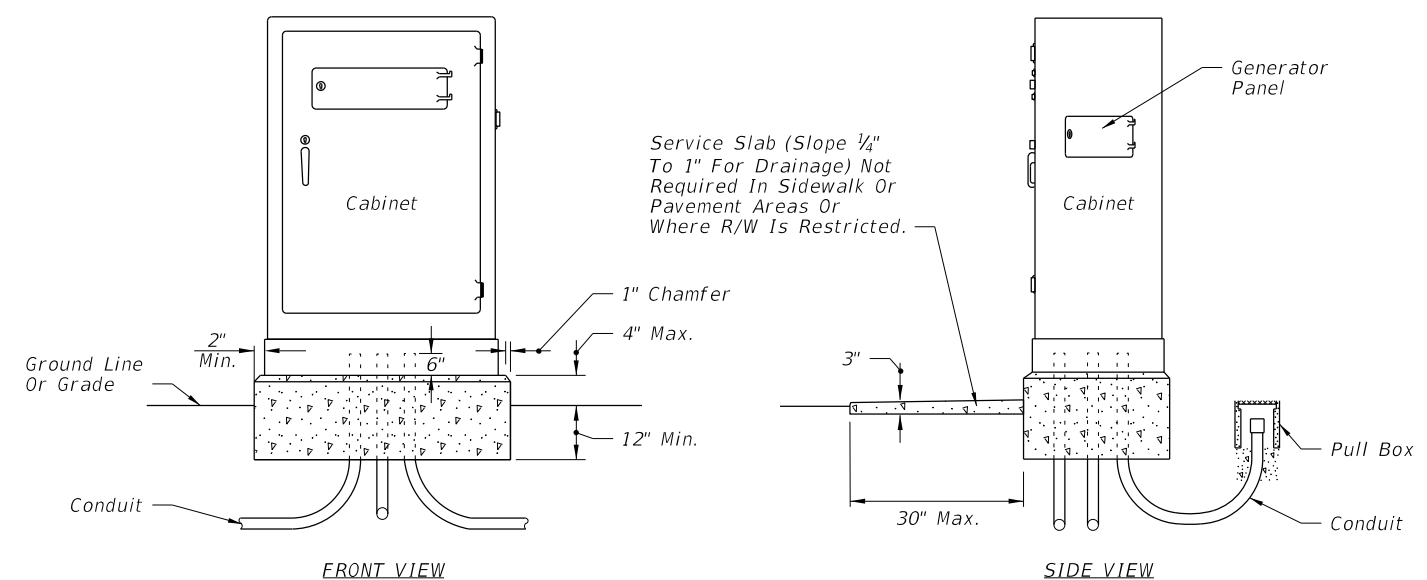
\* If holes for cabinet mounting require relocation, original holes shall be filled in with concrete or covered with a noncorrosive cover plate.



POLE MOUNTED

BASE MOUNTED

INTERCONNECT JUNCTION BOX



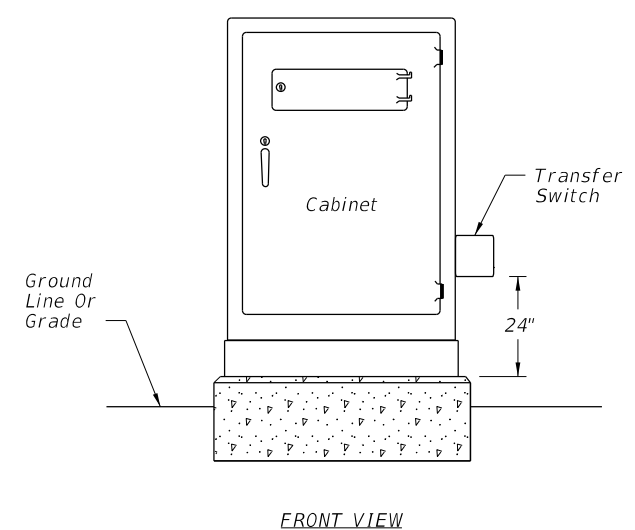
FRONT VIEW

SIDE VIEW

Notes:

1. The number, size and orientation of conduit sweep will vary according to site condition or locations. Two spare 2" PVC conduits shall be provided in all bases. The spares shall exit in the direction of the center rear of the cabinet base, into a pullbox and capped with a weathertight fitting. If obstructions prevent the spare conduit from exiting to the rear, or the rear of the cabinet is located on the R/W line, a side exit of the spare conduits will have to be approved by the project engineer. All spare conduit sweeps shall be capped with a weatherproof fitting.
2. Meet all grounding requirements of the Standard Specifications 620.
3. New Controller Cabinet installation shall meet the requirements of the Standard Specifications 676.

NEW CONTROLLER CABINET

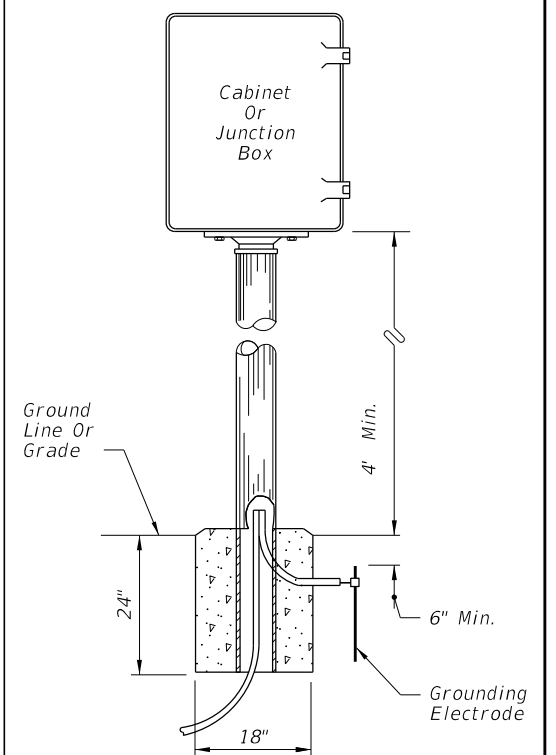


FRONT VIEW

Notes:

1. Existing controller cabinets to be retrofitted shall meet the requirements of the Standard Specifications 678.
2. The signalized intersection controller cabinet retrofit installation procedures are located at: [http://www.fdot.gov/Traffic/Doc\\_Library/Doc\\_Library.shtm](http://www.fdot.gov/Traffic/Doc_Library/Doc_Library.shtm) for Generator Power for Signalized Intersection

EXISTING CONTROLLER CABINET



PEDESTAL MOUNTED

10/14/2016 1:26:23 PM

LAST REVISION 12/15/14	REVISION	DESCRIPTION:	 FY 2017-18 DESIGN STANDARDS	CABINET INSTALLATION DETAILS	INDEX NO. 17841	SHEET NO. 1 of 1
---------------------------	----------	--------------	------------------------------------	------------------------------	--------------------	---------------------