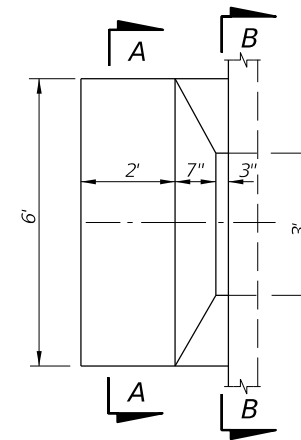
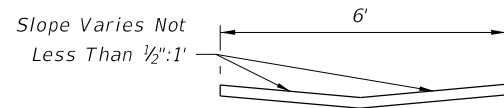


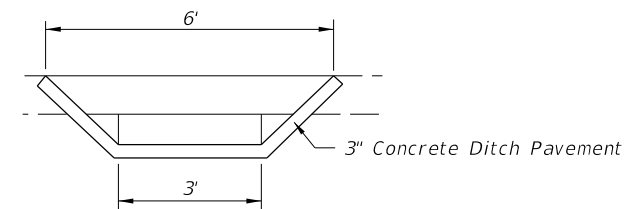
LONGITUDINAL SECTION



PLAN




SECTION AA



SECTION BB

SAFETY MODIFICATION FOR INLETS IN BOX CULVERTS

10/11/2016 10:45:57 AM

LAST REVISION 07/01/07	DESCRIPTION:	 FY 2017-18 DESIGN STANDARDS	SAFETY MODIFICATIONS FOR INLET IN BOX CULVERTS	INDEX NO. 293	SHEET NO. 1 of 1
---------------------------	--------------	----------------------------------------------------------------------------------------------------------------------	---------------------------------------------------	------------------	---------------------