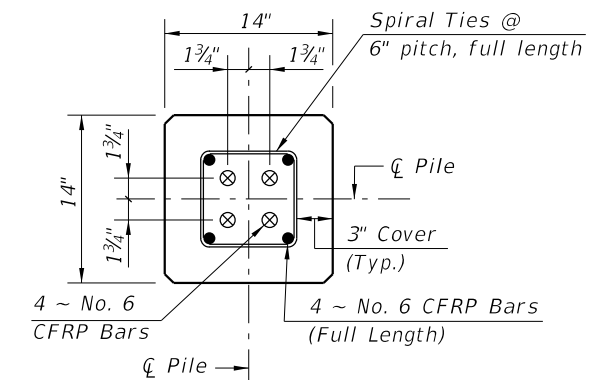


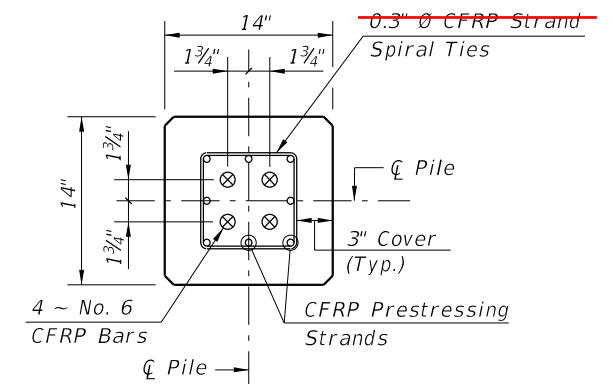
ELEVATION

0.3" Ø CFRP Strand Spiral Ties
0.2"



SECTION D-D

(See Nondrivable Unforeseen Reinforced Precast Pile Build-Up Detail)

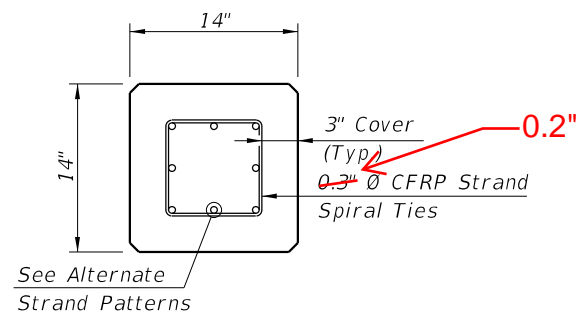


SECTION E-E

(See Drivable Unforeseen Prestressed Precast Pile Splice Detail)

ALTERNATE STRAND PATTERNS

- 8 ~ 0.6" Ø, CFRP 7-Strand, at 31.5 kips
- 8 ~ 1/2" Ø, CFRP Single-Strand, at 30.5 kips



SECTION A-A

CFRP PILE SPLICE REINFORCEMENT DETAILS

NOTES:

- Work this Index with Index 22600 - Notes and Details for Square CFRP & SS Prestressed Concrete Piles and Index 22601 - Square CFRP & SS Prestressed Concrete Pile Splices.
- Any of the given Alternate Strand Patterns may be utilized. The strands shall be located as follows:
Place one strand at each corner and equally space the remaining strands between the corner strands.
The total strand pattern shall be concentric with the nominal concrete section of the pile.

CFRP PRESTRESSED PILE DETAILS

10/31/2016 11:50:19 AM

LAST REVISION 01/01/16	DESCRIPTION:		FY 2017-18 DESIGN STANDARDS	14" SQUARE CFRP & SS PRESTRESSED CONCRETE PILE	INDEX NO. 22614	SHEET NO. 1 of 2
---------------------------	--------------	--	--------------------------------	---	--------------------	---------------------