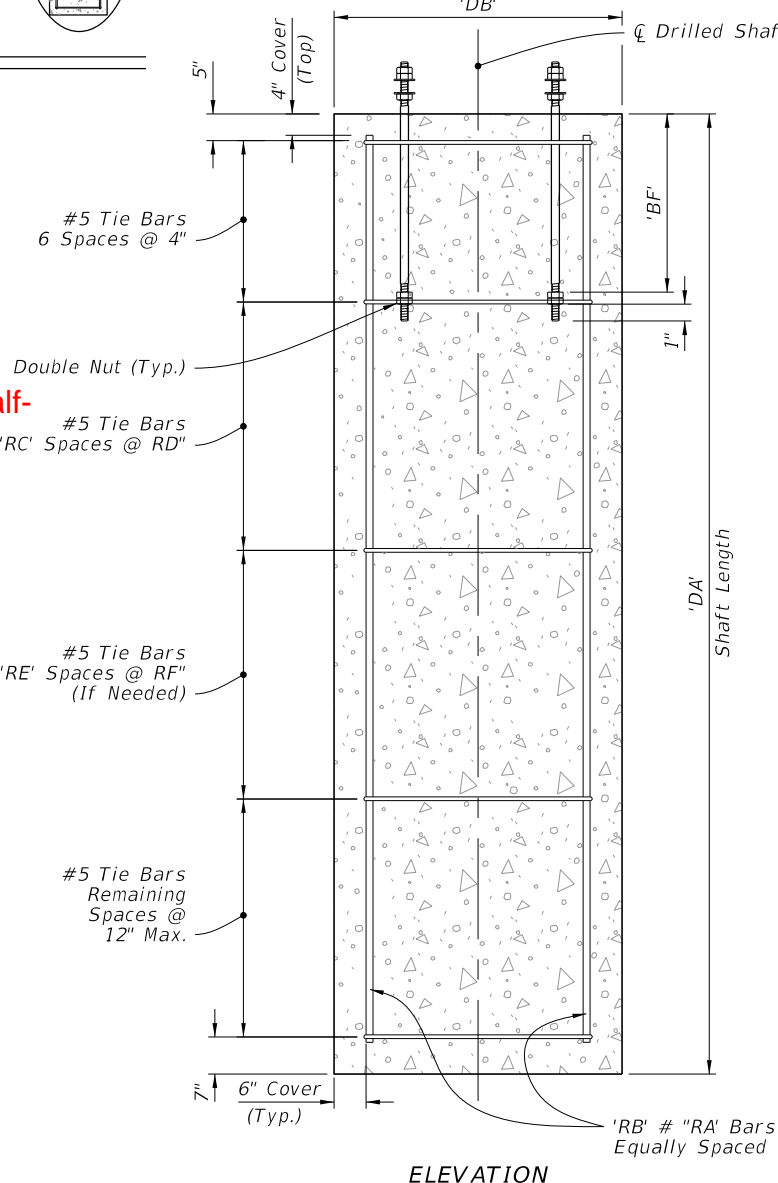


MAST ARM ASSEMBLY

NOTES:

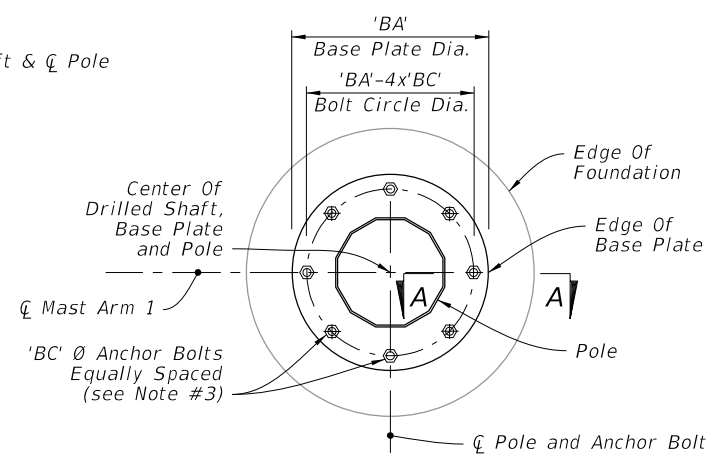
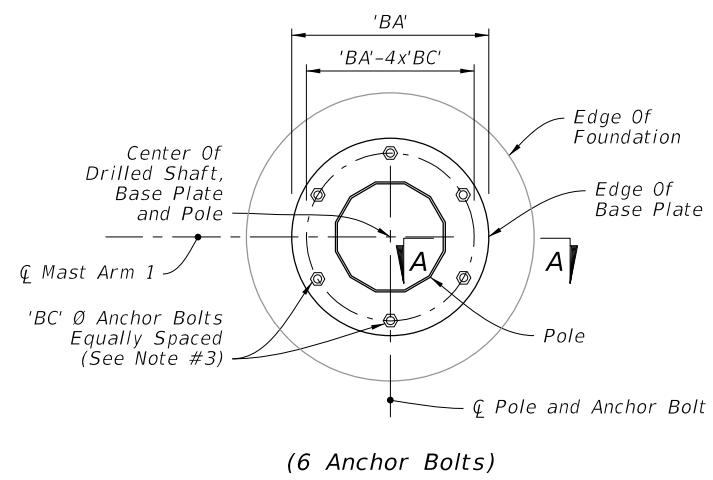
1. The Structural Grout Pad diameter may be reduced where the footprint of the Grout Pad does not provide adequate clearance for the sidewalk and/or accessibility considerations.
2. See Index No. 17743 and the plans for actual quantity of bolts in the Base Plate Connection.
3. The bottom hex nut of the double nuts shown in Section A-A may be substituted by a ^{half-}1/2" height 'jam' nut. Provide individual nut covers (not shown) for each bolt.



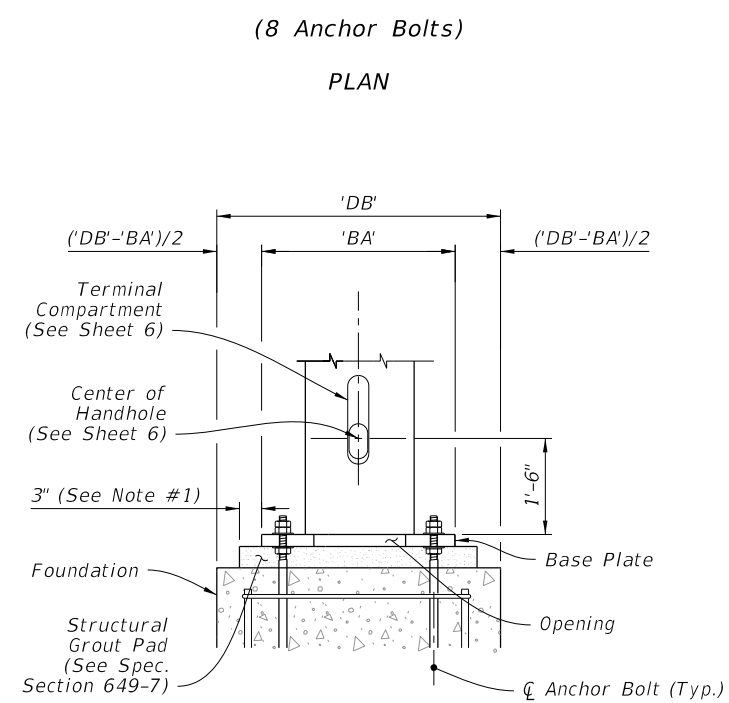
PLAN

ELEVATION

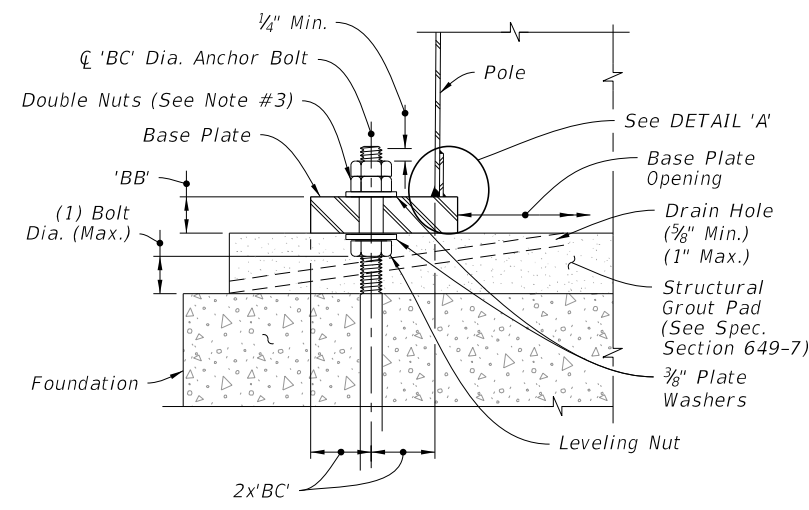
FOUNDATION



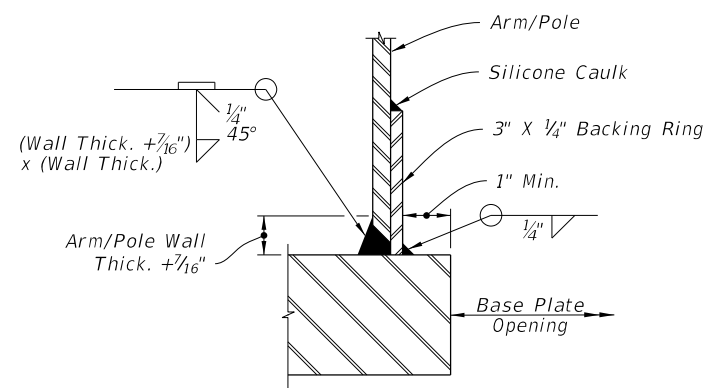
PLAN



BASE PLATE CONNECTION



SECTION A-A



JOINT WELD DETAIL

DETAIL 'A'

FOUNDATION AND BASE PLATE DETAILS

10/14/2016 1:16:10 PM

LAST REVISION 11/01/16	REVISION	DESCRIPTION:	<p>FY 2017-18 DESIGN STANDARDS</p>	<p>MAST ARM ASSEMBLIES</p>	INDEX NO. 17745	SHEET NO. 2 of 6