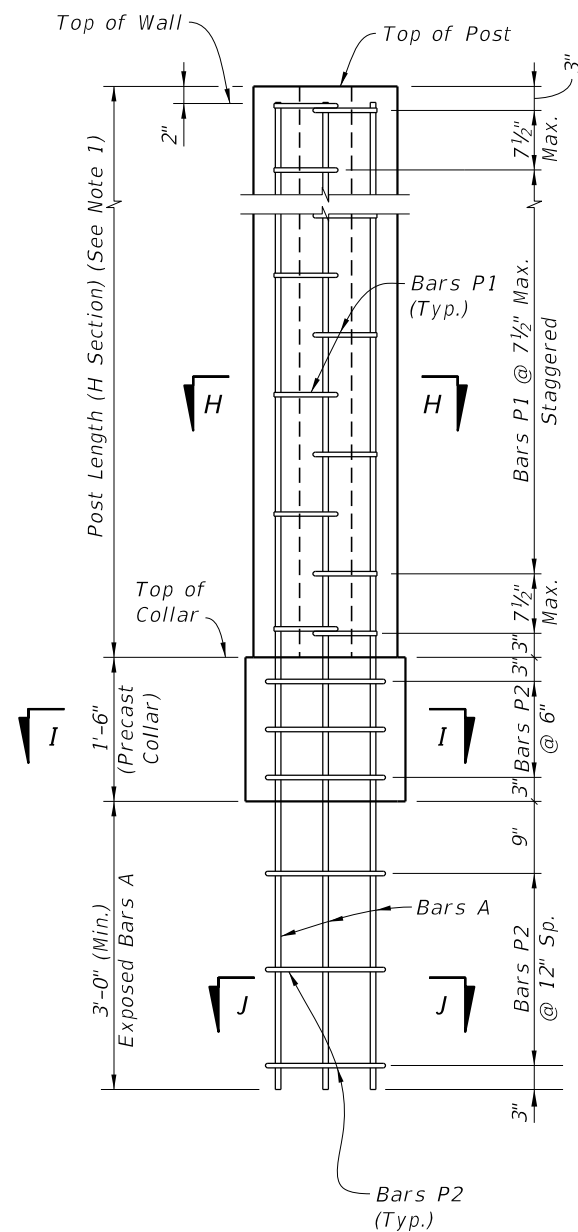


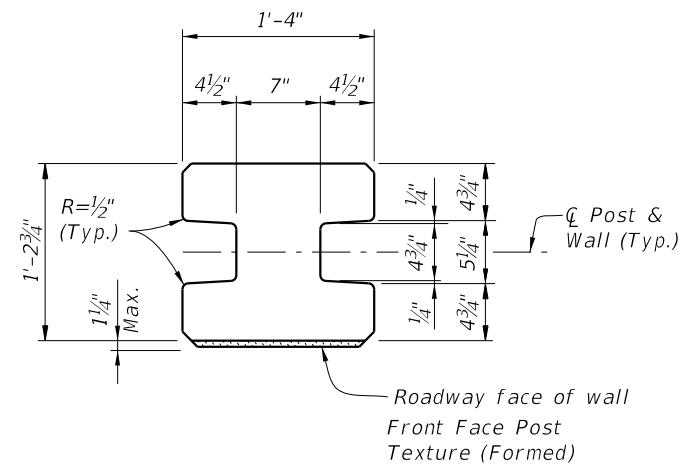
TYPICAL POST

STANDARD POST REINFORCEMENT

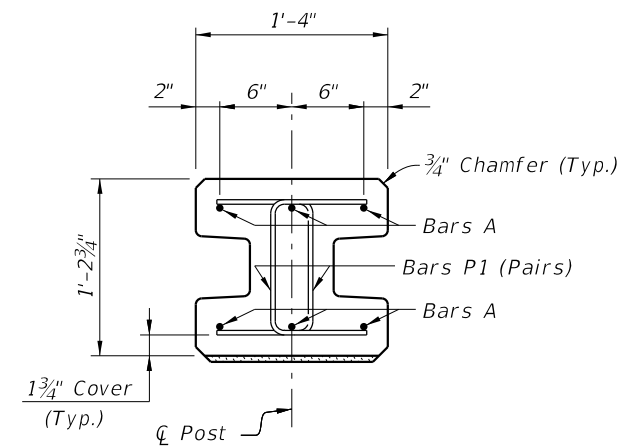


LOW CLEARANCE OPTION

NOTES:
1. See Shop Drawing for Post Lengths.

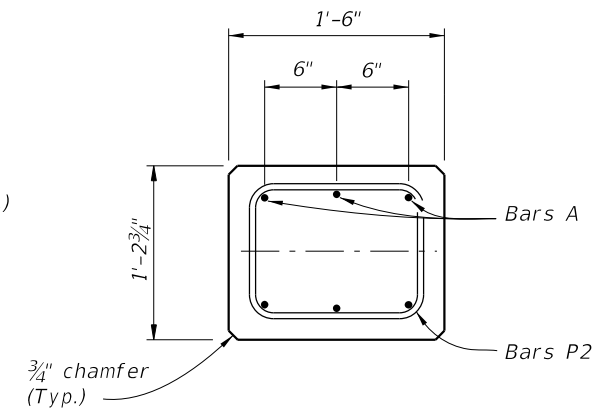


TYPICAL POST SECTION (H Section)

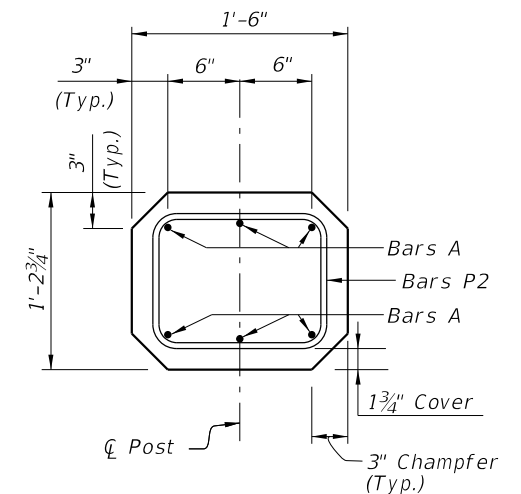


SECTION H-H (H Section - Above Collar)

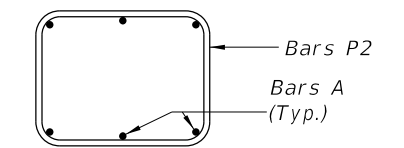
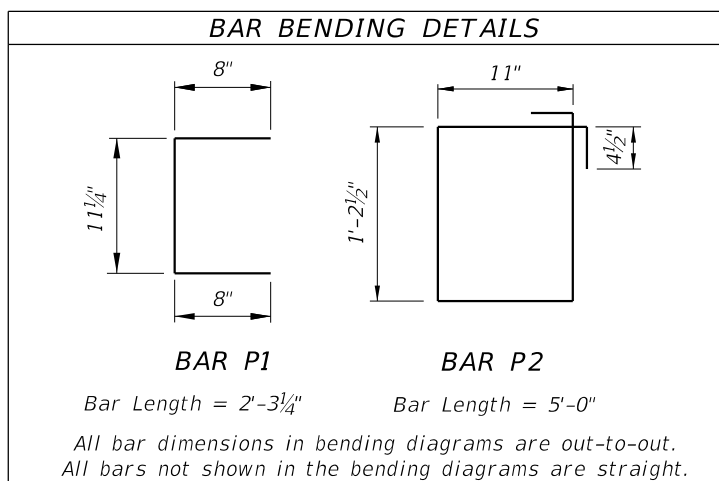
Wind Speed (MPH)	Pile Length	Bars A	Bars P1 thru P6	Bars S1
130	11'-6"	#5	#3	#4
150	13'-6"	#6	#3	#4
170	15'-0"	#7	#3	#4



SECTION I-I Precast Collar



SECTION I-I (for Low Clearance Option)



SECTION J-J

PRECAST OPTION - STANDARD POST DETAILS

10/26/2016 8:39:21 AM

LAST REVISION	DESCRIPTION:
11/01/16	