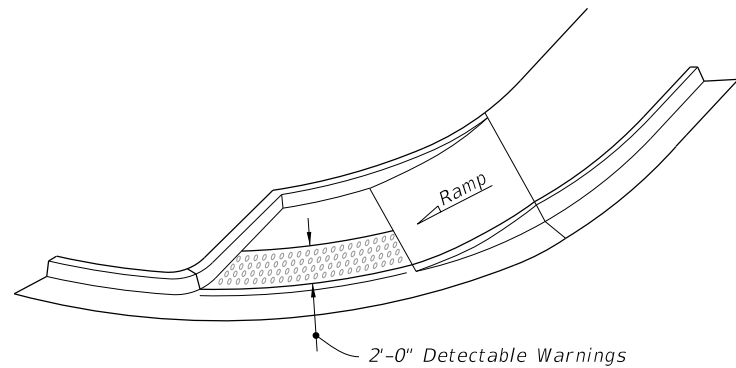
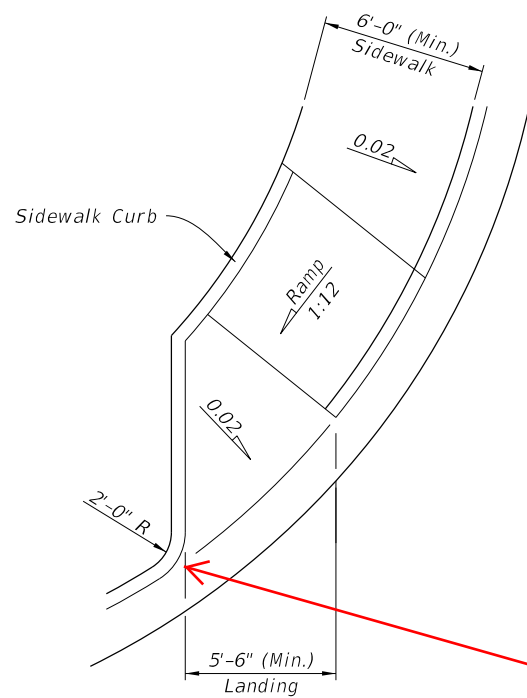


10/27/2016 10:53:40 AM

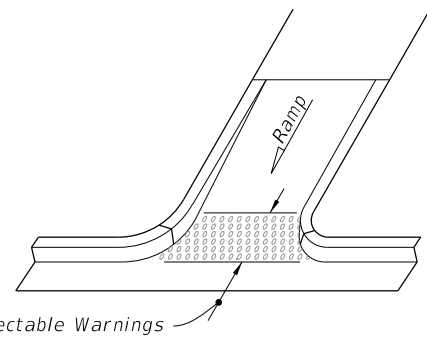


ISOMETRIC VIEW

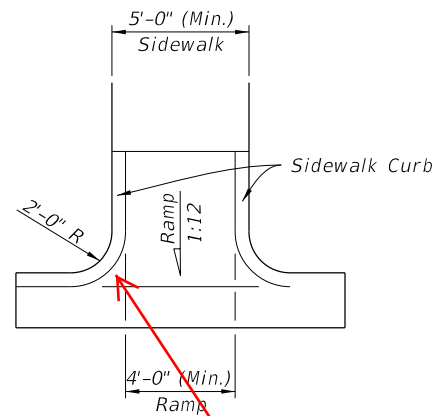


PLAN VIEW

CR-D



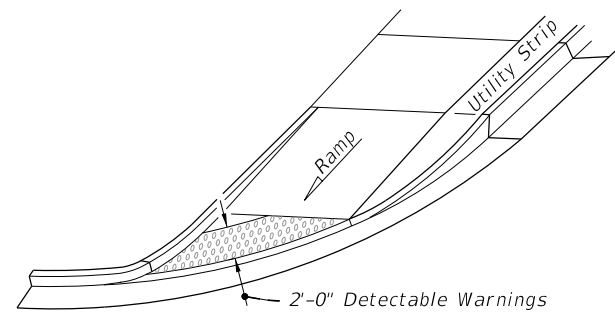
ISOMETRIC VIEW



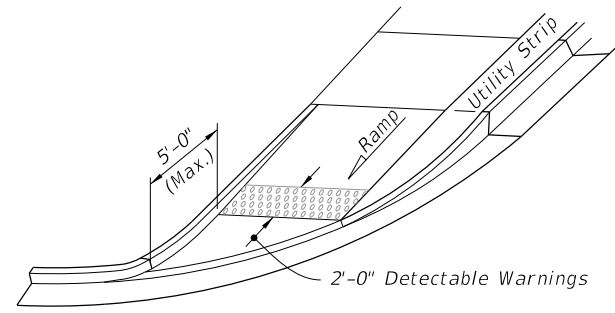
PLAN VIEW

CR-E

Corrected: 2'-0" Radius

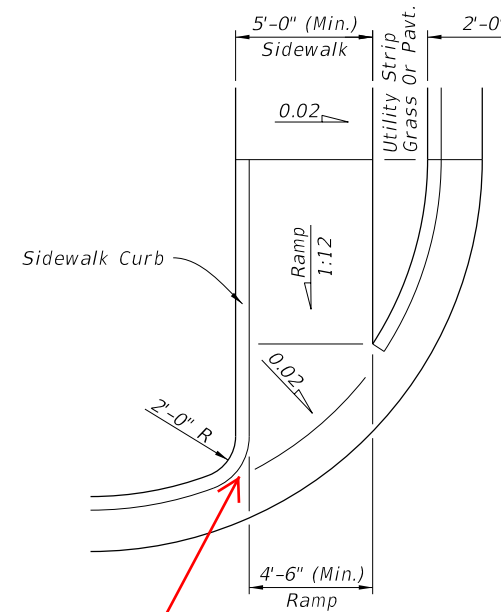


OPTION A



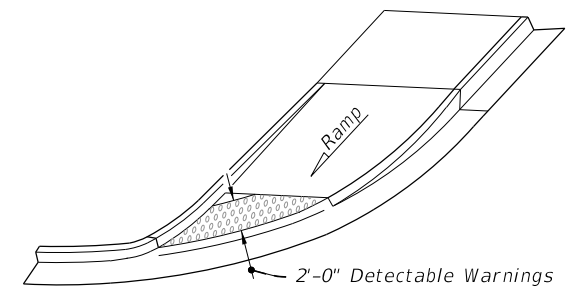
OPTION B

ISOMETRIC VIEW

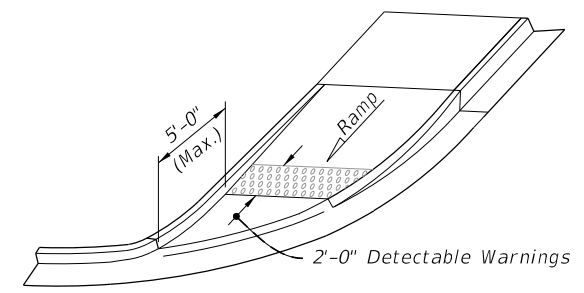


PLAN VIEW

CR-F

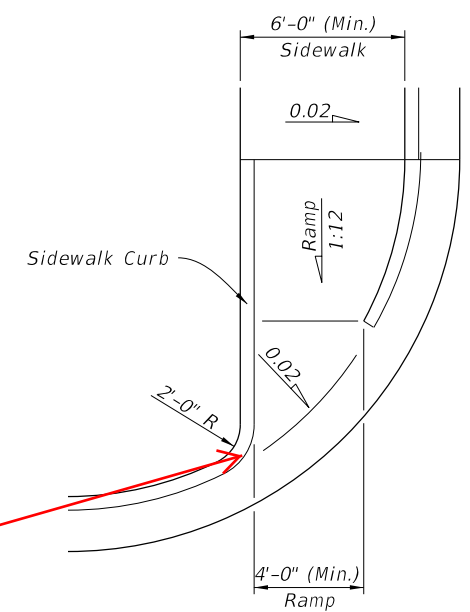


OPTION A



OPTION B

ISOMETRIC VIEW

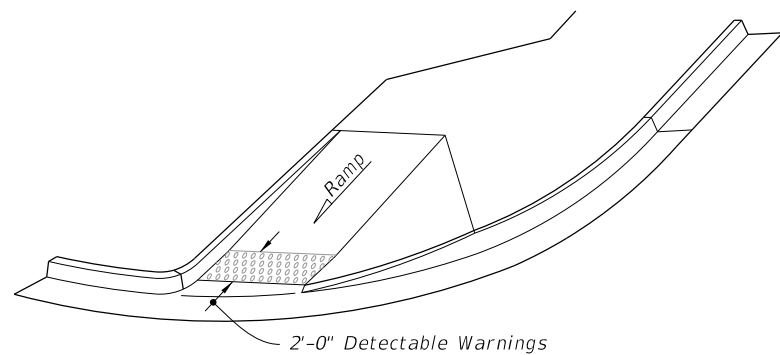


PLAN VIEW

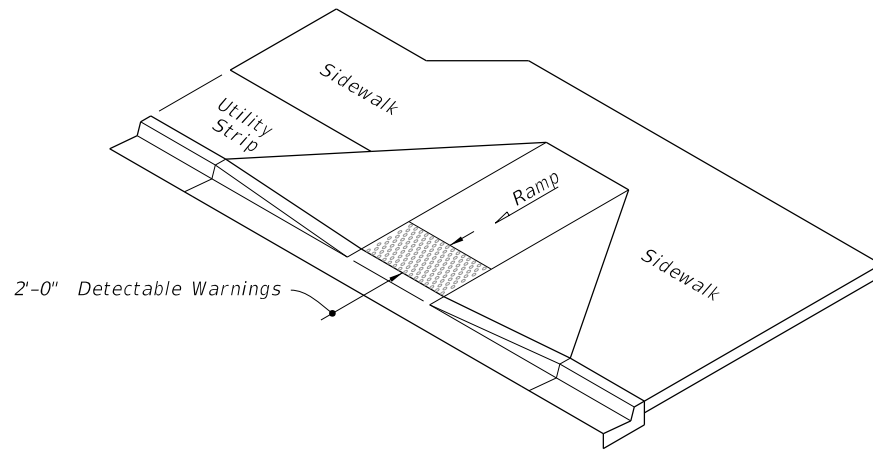
CR-G

SIDEWALK CURB RAMPS CR-D, CR-E, CR-F & CR-G

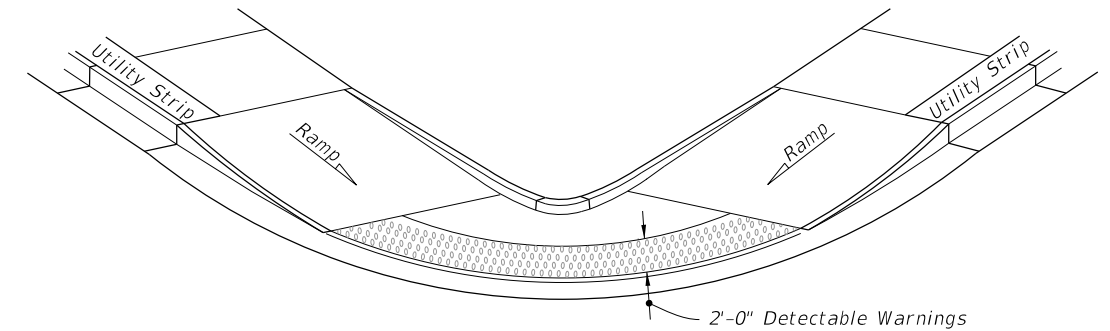
LAST REVISION	DESCRIPTION:
11/01/16	



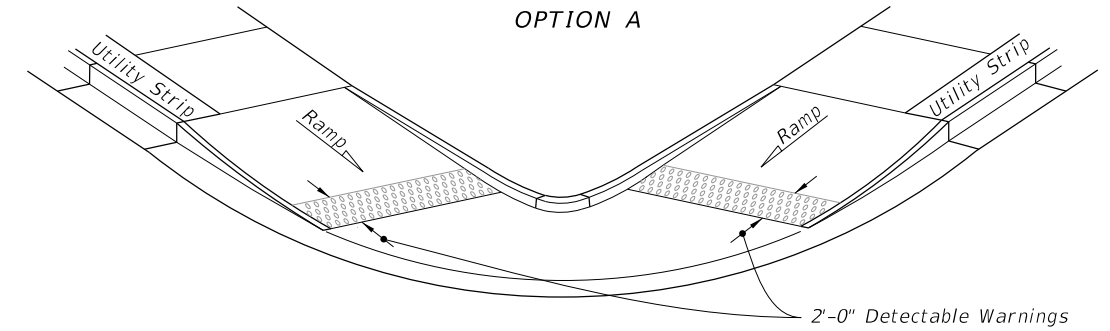
ISOMETRIC VIEW



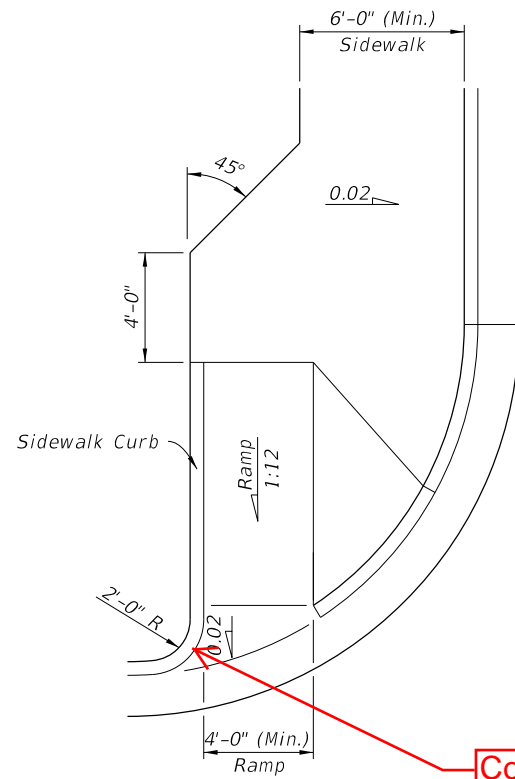
ISOMETRIC VIEW



OPTION A

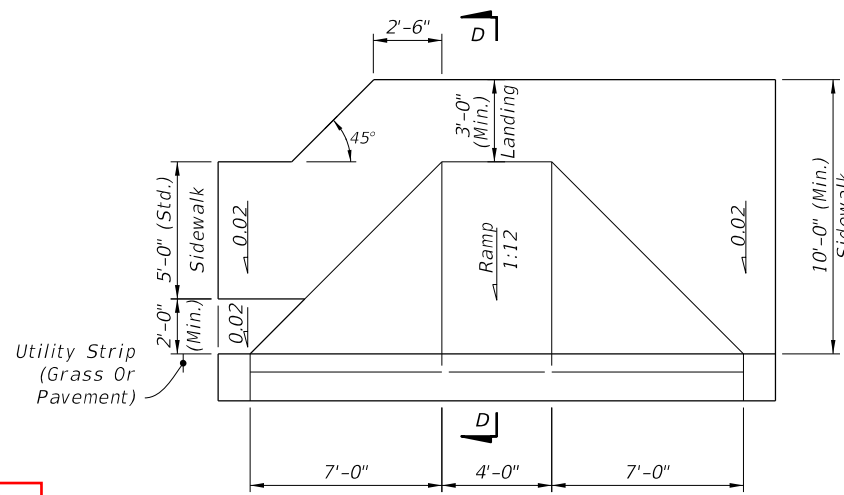


OPTION B



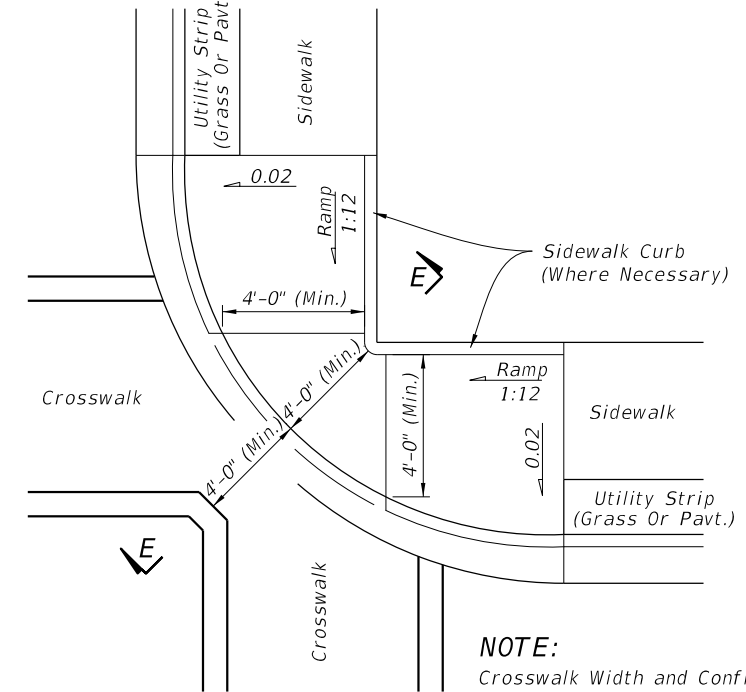
PLAN VIEW

CR-H



PLAN VIEW

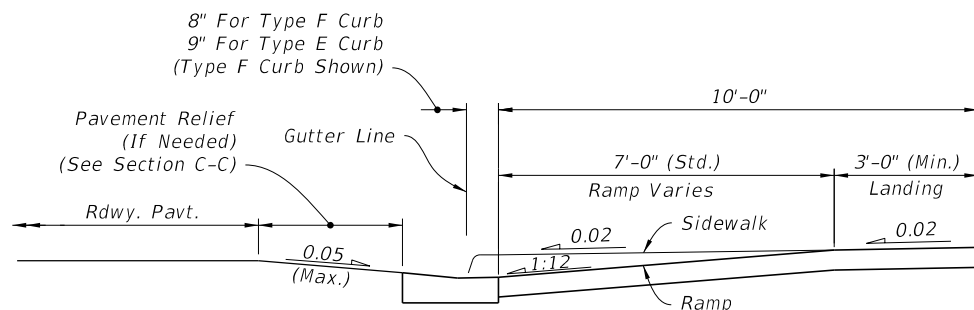
CR-K



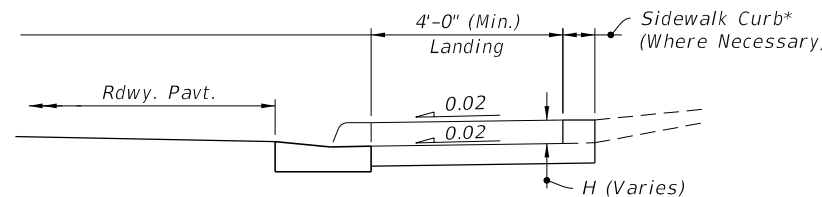
PLAN VIEW

CR-L

Corrected: 2'-0" Radius



SECTION D-D



SECTION E-E

* Note: For Additional Information On Sidewalk Curb Construction, See SIDEWALK CURB OPTIONS details.

NOTE:
Crosswalk Width and Configuration Vary; Must Conform to Index 17344 and 17346.

15' Radius Curve Shown for CR-L.

10/27/2016 10:53:43 AM

LAST REVISION 11/01/16	DESCRIPTION:
---------------------------	--------------



FY 2017-18
DESIGN STANDARDS

DETECTABLE WARNINGS AND SIDEWALK CURB RAMPS

INDEX NO.
304

SHEET NO.
5 of 8

SIDEWALK CURB RAMPS CR-H, CR-K & CR-L