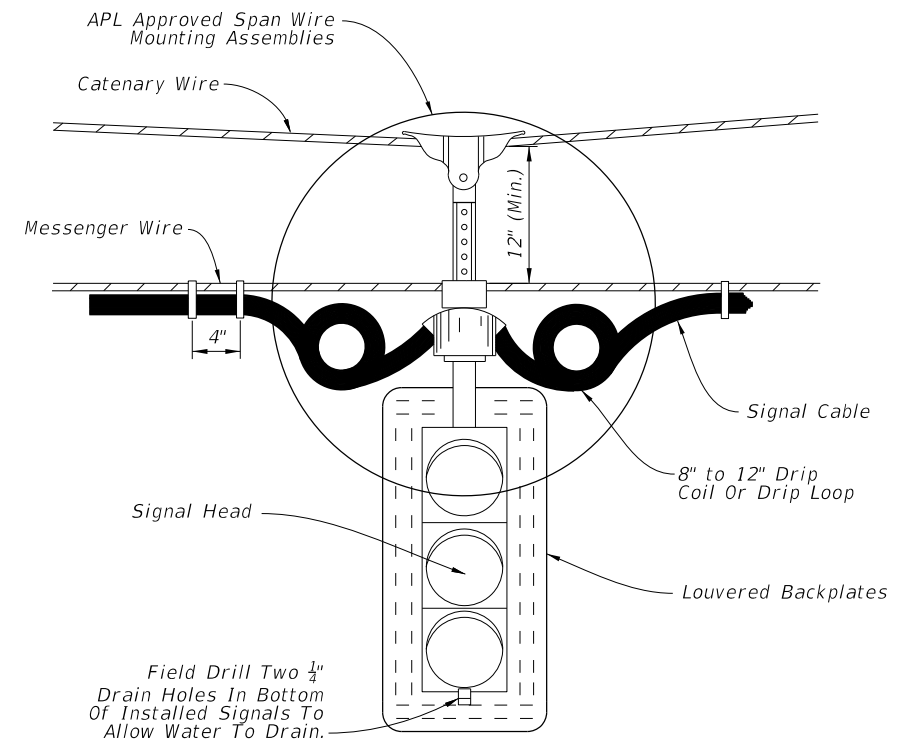
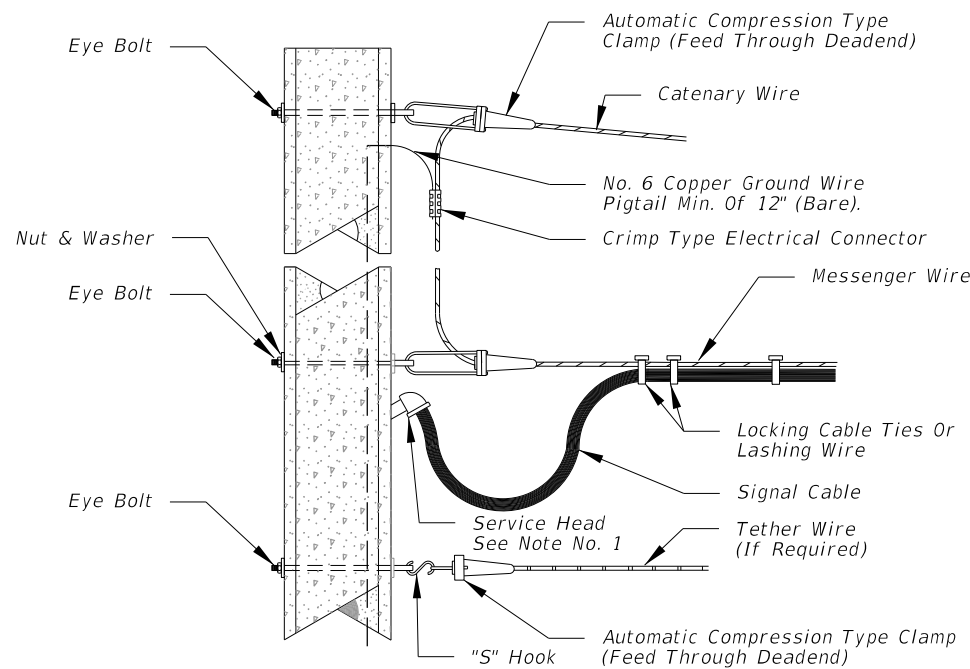
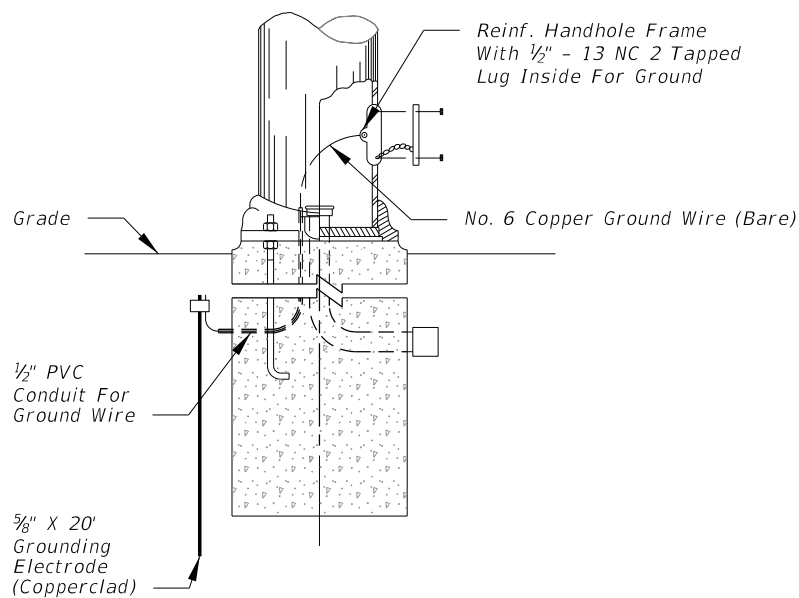


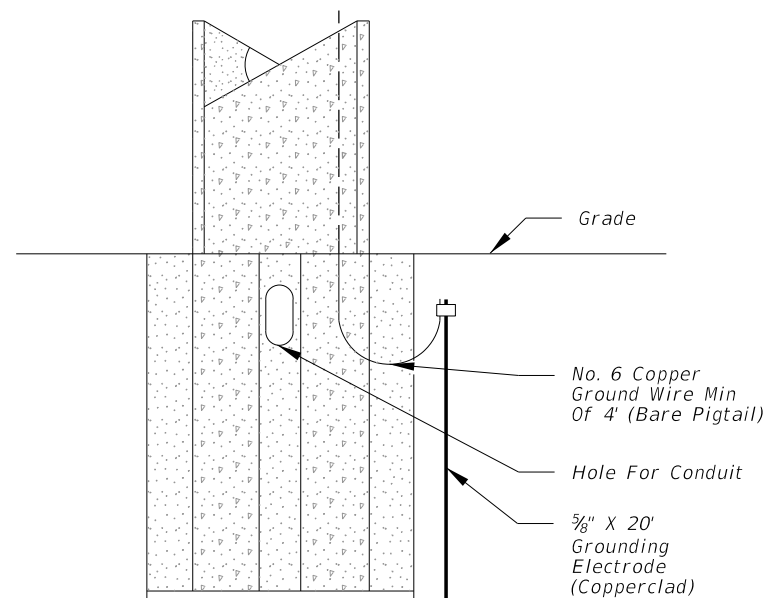
Wire Entrance Detail
See Index 17723, Sheet 3



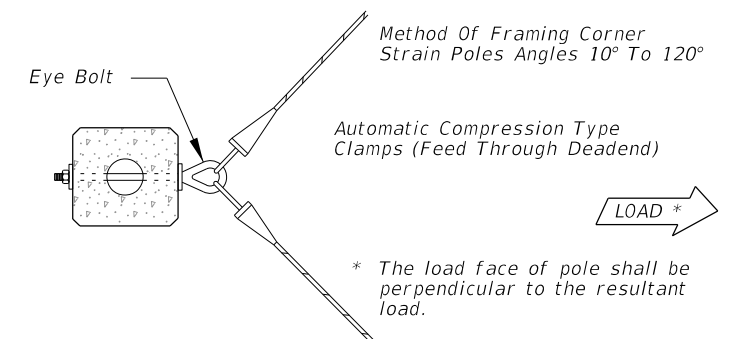
**ELEVATION
SIGNAL ATTACHMENT**



**ELEVATION
STEEL POLE**



**ELEVATION
PRESTRESSED CONCRETE POLE**



**PLAN
PRESTRESSED CONCRETE POLE**

NOTES:

1. Use only span wire mounting assemblies listed on the APL. For specific details and requirements, see the vendor drawings on the APL.
2. With the approval of the resident engineer, the service head hole for joint use poles may be drilled by the utility company at an angle of 90° but not less than 45° to the face of the pole.
3. Lashing wire should normally be used for distances of 12' or greater.
4. All hardware for signal attachment shall be stainless steel.
5. Hole for eye bolt will require field reaming for 1" & 1 1/4" eye bolts.
6. Meet all grounding requirements of Specification 620.

1/12/2017 7:48:26 AM

LAST REVISION 01/05/17	DESCRIPTION: Sheet 1: Added Note #1; Moved SIGNAL ATTACHMENT details from Sheet 2. Sheet 2: Deleted Sheet.
---------------------------	--



FY 2016-17
DESIGN STANDARDS

SIGNAL CABLE & SPAN WIRE
INSTALLATION DETAILS

INDEX NO.
17727

SHEET NO.
1 of 1