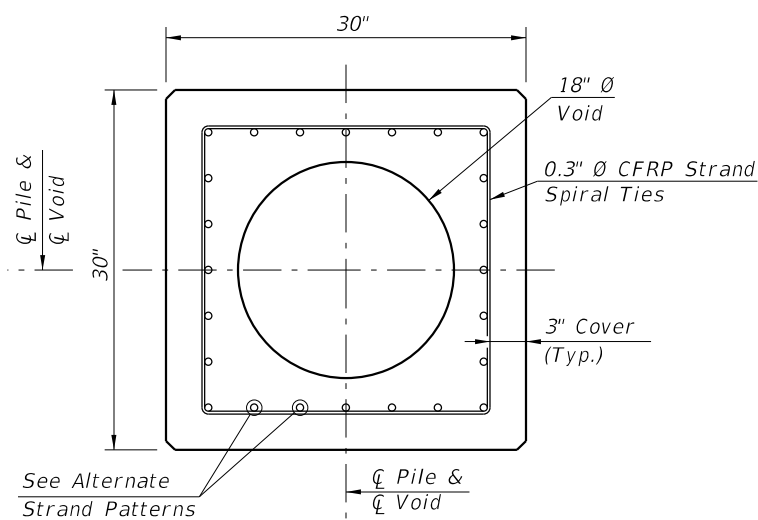
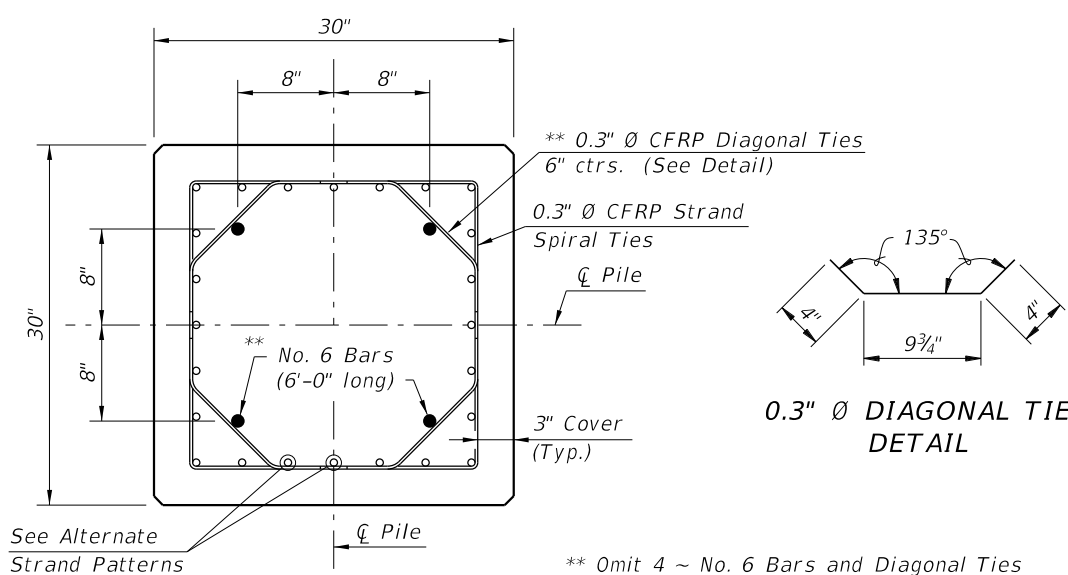


ELEVATION

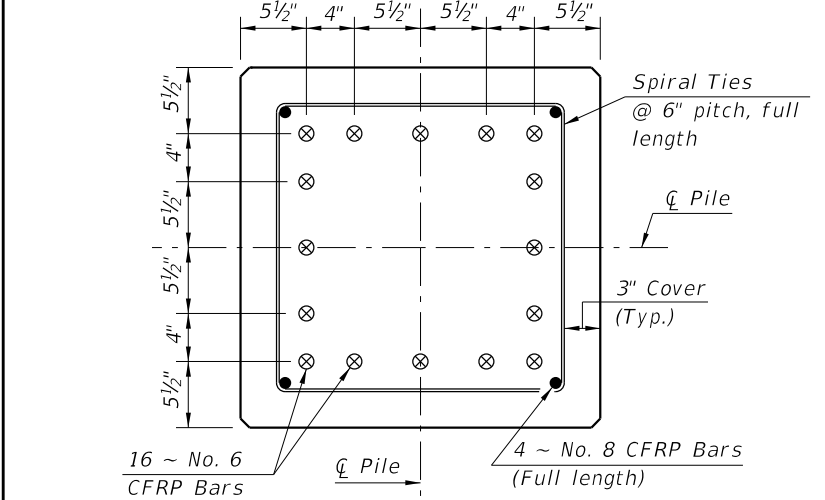


SECTION B-B
(See Pile Splice Reinforcement Details)

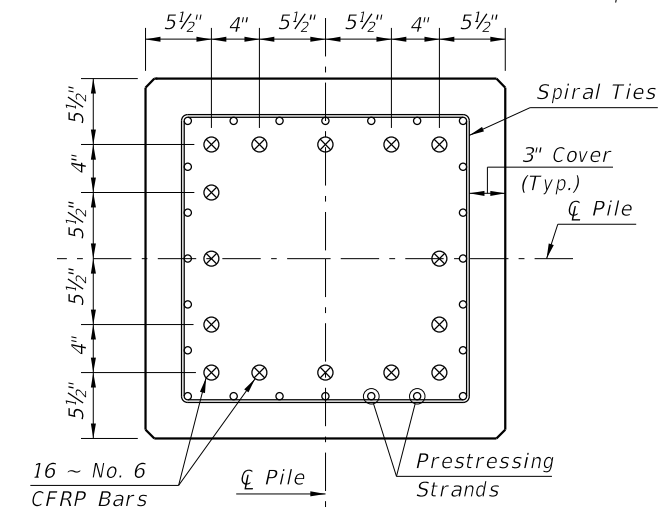


SECTION C-C
(See Pile Splice Reinforcement Details)

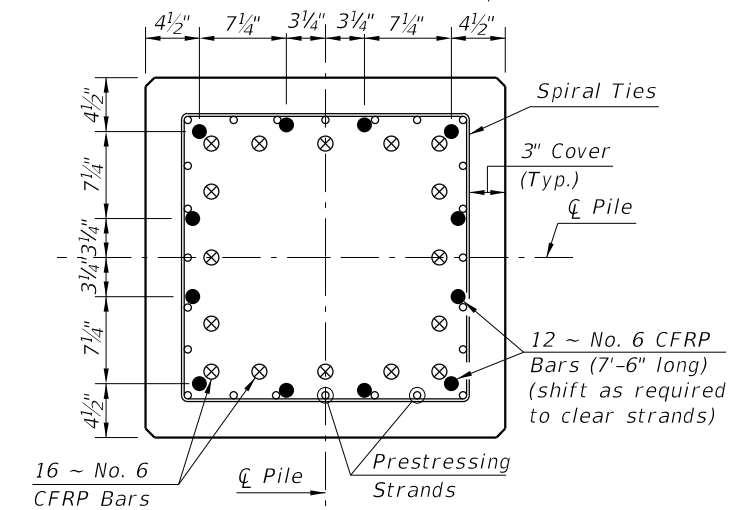
** Omit 4 ~ No. 6 Bars and Diagonal Ties in pre-planned mechanical splice.



SECTION D-D
(See Nondrivable Unforeseen Reinforced Precast Pile Build-Up Detail)



SECTION E-E
(See Drivable Prestressed Precast Pile Splice Detail)



SECTION F-F
(See Drivable Preplanned Prestressed Precast Pile Splice Detail)

CFRP PILE SPLICE DETAILS

ALTERNATE STRAND PATTERNS

- 20 ~ 0.6" Ø, CFRP 7-Strand at 38 kips
- 20 ~ 1/2" Ø, CFRP Single-Strand at 37 kips

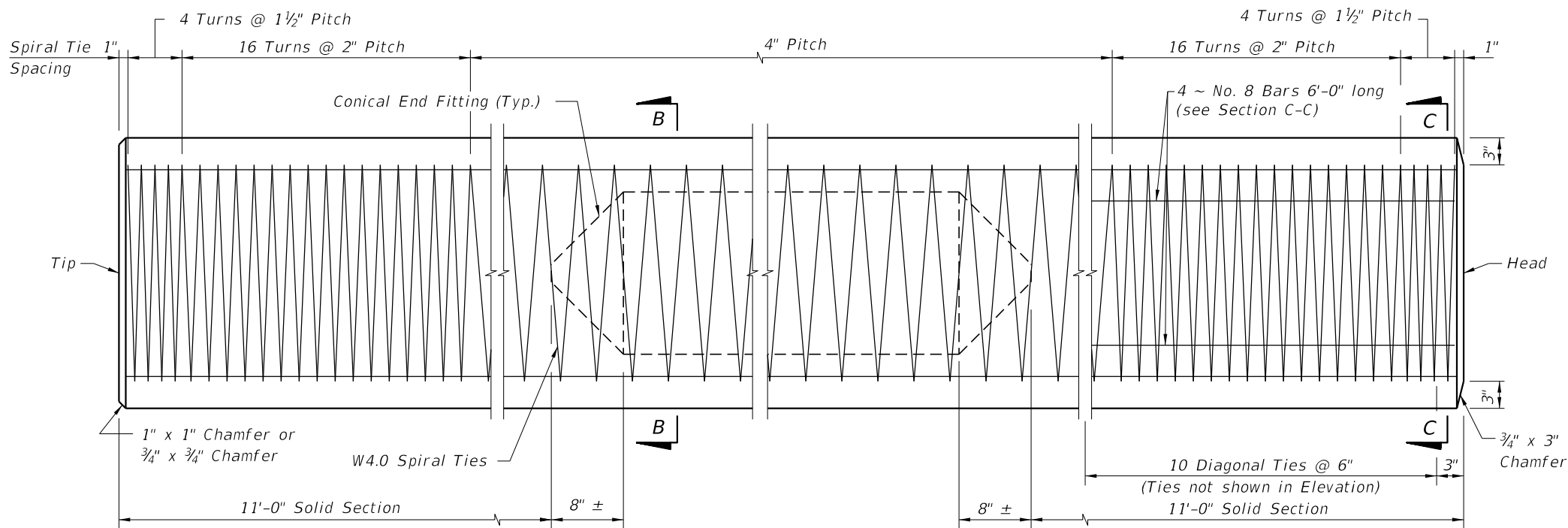
NOTES:

- Any of the given Strand Patterns may be utilized. The strands shall be located as follows: Place one strand at each corner and place the remaining strands equally spaced between the corner strands. The total strand pattern shall be concentric with the nominal concrete section of the pile.
- CONTRACTOR OPTION: The 30" pile may be cast SOLID by omitting the 18" Ø void. In this event, the Contractor shall submit calculations for approval and a proposed strand configuration that provide net prestressing after losses equal to 1000 psi. Alternate configurations for the Diagonal Ties, to maintain the position of the 4 ~ No. 6 Bars, may be approved by the Engineer.
- Work this Index with Index No. 22600 - Notes and Details for Square CFRP & SS Prestressed Concrete Piles and Index No. 22601 - Square CFRP & SS Prestressed Concrete Pile Splices.

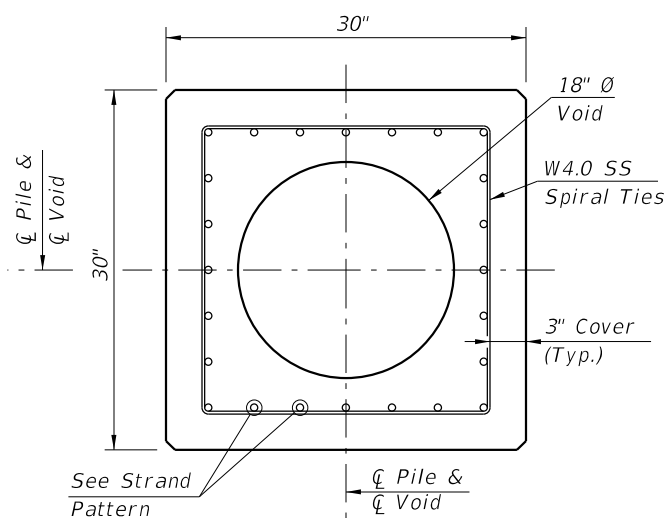
CFRP PRESTRESSED PILE DETAILS

12/17/2015 2:17:27 PM

| | | | | | |
|---------------------------|--------------|--|---|--------------------|---------------------|
| LAST REVISION 01/01/16 | DESCRIPTION: | FDOT FY 2016-17 DESIGN STANDARDS | 30" SQUARE CFRP & SS PRESTRESSED CONCRETE PILE | INDEX NO. 22630 | SHEET NO. 1 of 2 |
|---------------------------|--------------|--|---|--------------------|---------------------|

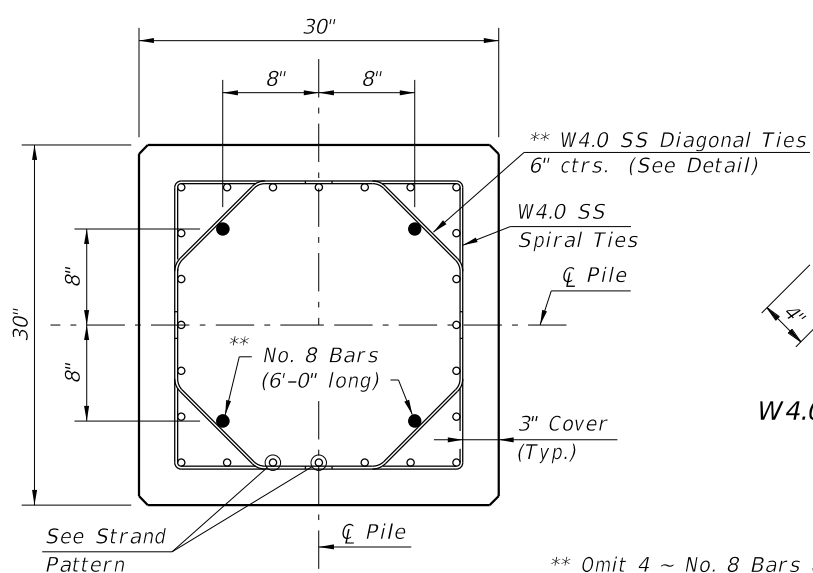


ELEVATION



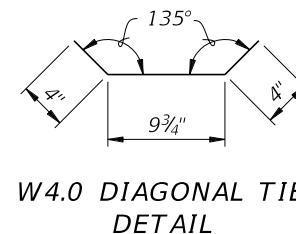
SECTION B-B

(See Pile Splice Reinforcement Details)



SECTION C-C

(See Pile Splice Reinforcement Details)



W4.0 DIAGONAL TIE DETAIL

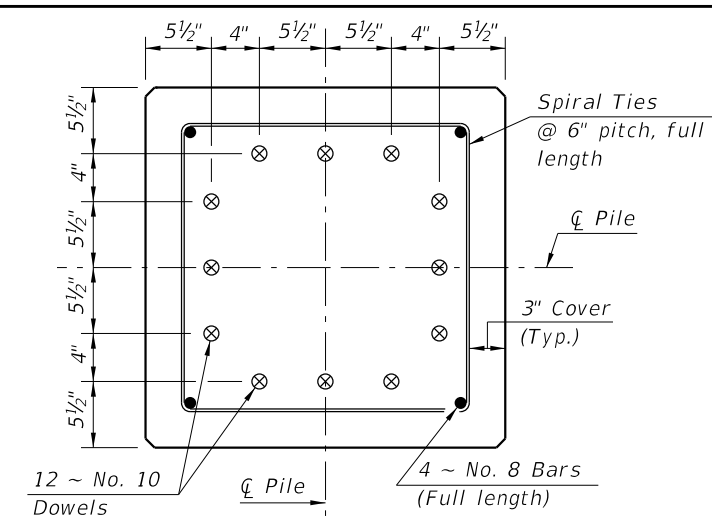
** Omit 4 ~ No. 8 Bars and Diagonal Ties in pre-planned mechanical splice.

NOTES:

- Any of the given Strand Patterns may be utilized. The strands shall be located as follows: Place one strand at each corner and place the remaining strands equally spaced between the corner strands. The total strand pattern shall be concentric with the nominal concrete section of the pile.
- CONTRACTOR OPTION: The 30" pile may be cast SOLID by omitting the 18" Ø void. In this event, the Contractor shall submit calculations for approval and a proposed strand configuration that provide net prestressing after losses equal to 1000 psi. Alternate configurations for the Diagonal Ties, to maintain the position of the 4 ~ No. 8 Bars, may be approved by the Engineer.
- Work this Index with Index No. 22600 - Notes and Details for Square CFRP & SS Prestressed Concrete Piles and Index No. 22601 - Square CFRP & SS Prestressed Concrete Pile Splices.

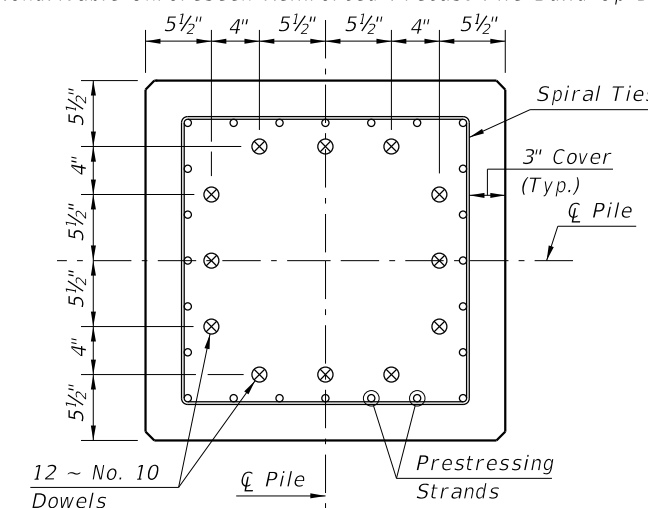
STRAND PATTERN

32 ~ 1/2" Ø, HSSS at 26 kips



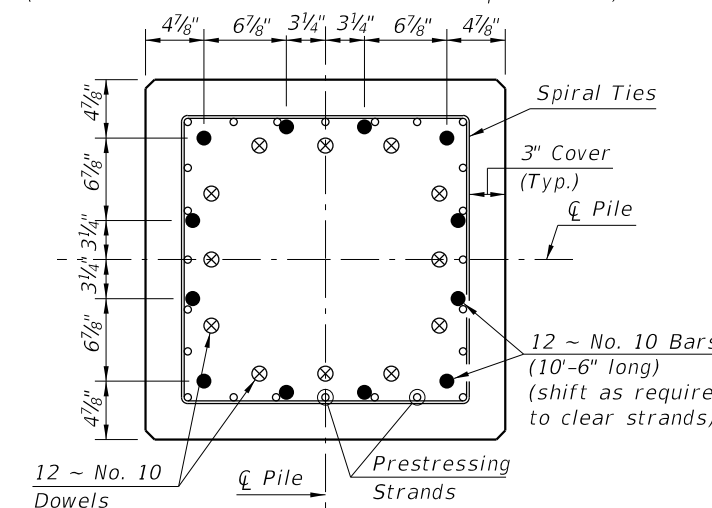
SECTION D-D

(See Nondrivable Unforeseen Reinforced Precast Pile Build-Up Detail)



SECTION E-E

(See Drivable Prestressed Precast Pile Splice Detail)



SECTION F-F

(See Drivable Preplanned Prestressed Precast Pile Splice Detail)

SS PILE SPLICE DETAILS

SS PRESTRESSED PILE DETAILS

12/23/2015 10:39:36 AM

LAST REVISION
01/01/16

REVISION

DESCRIPTION:



FY 2016-17
DESIGN STANDARDS

30" SQUARE CFRP & SS PRESTRESSED
CONCRETE PILE

INDEX NO.
22630

SHEET NO.
2 of 2