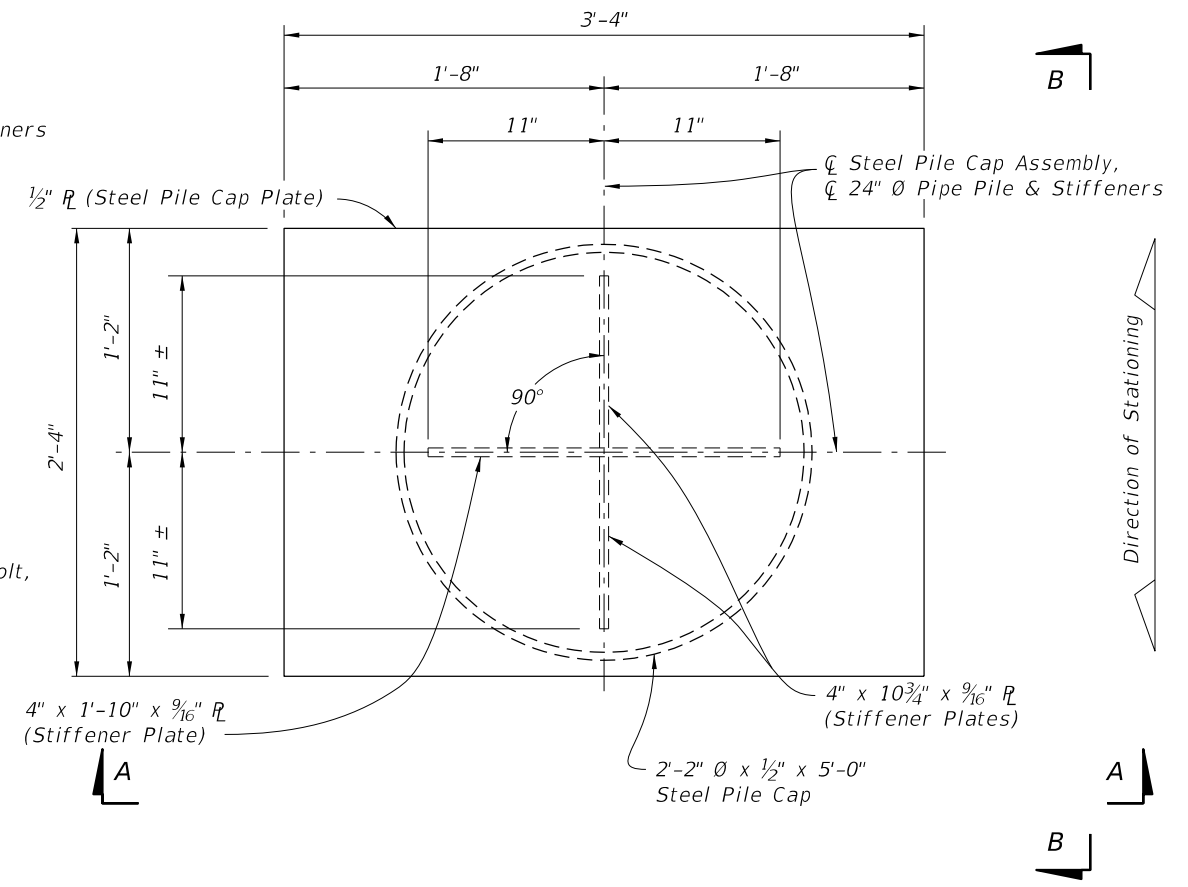
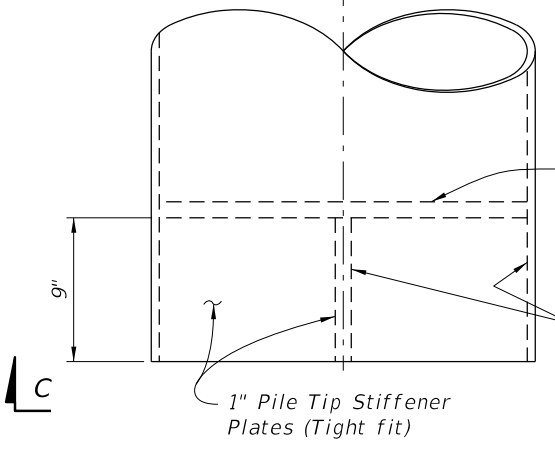


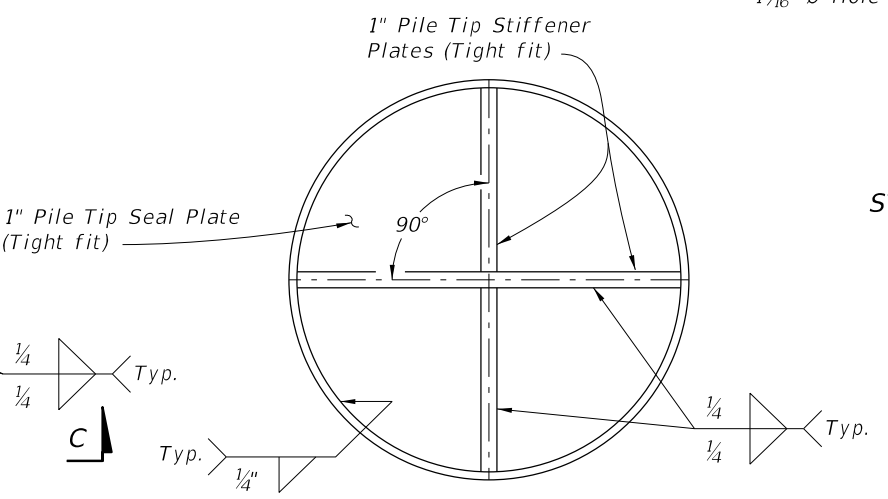
PARTIAL VIEW A-A



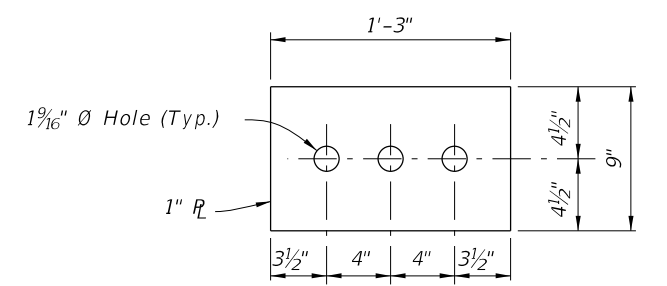
PLAN VIEW STEEL PILE CAP ASSEMBLY
(Bearing Plates and Bearing Keeper Bars not show for clarity)



VIEW B-B



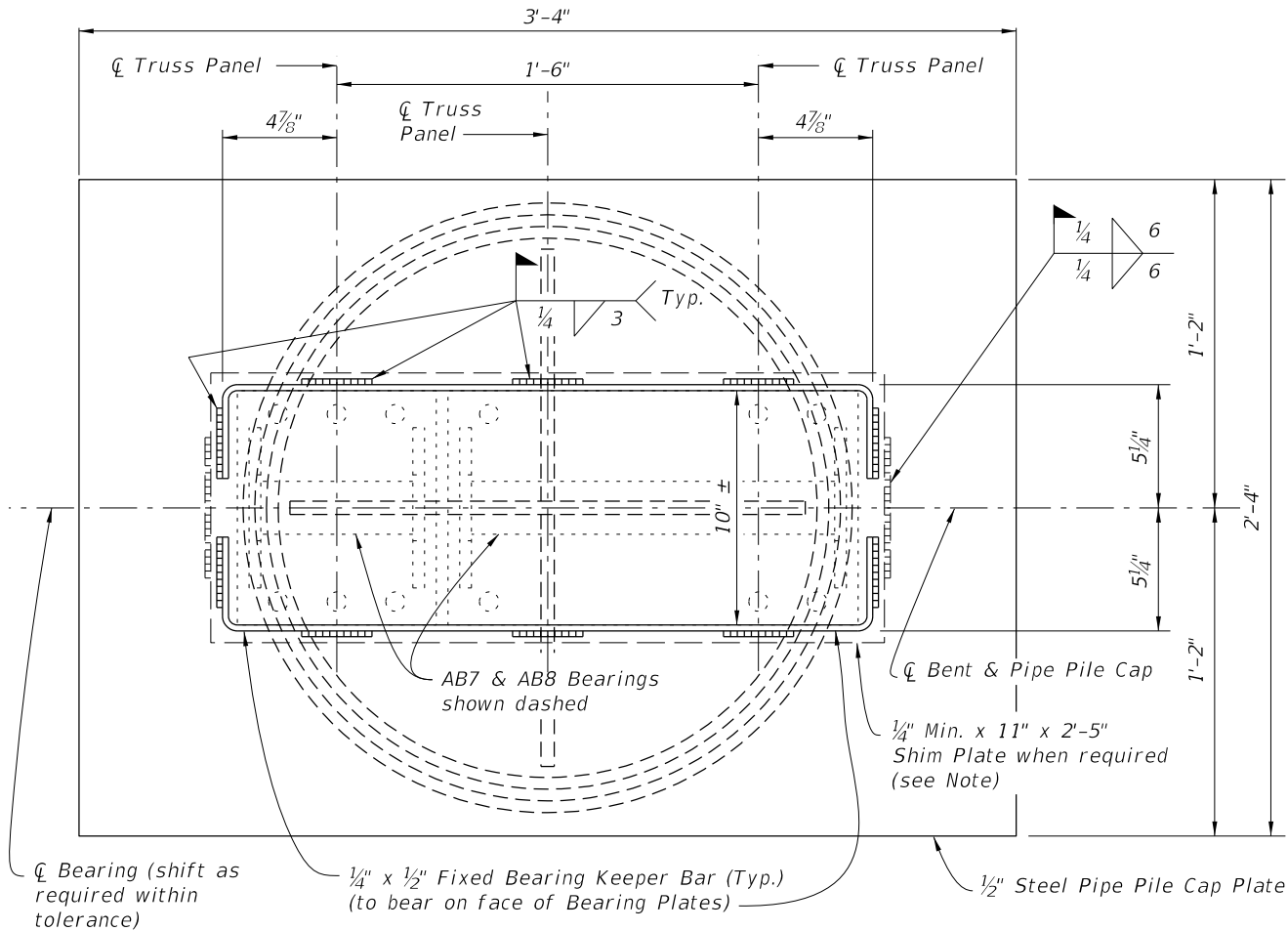
VIEW C-C
PILE TIP DETAIL



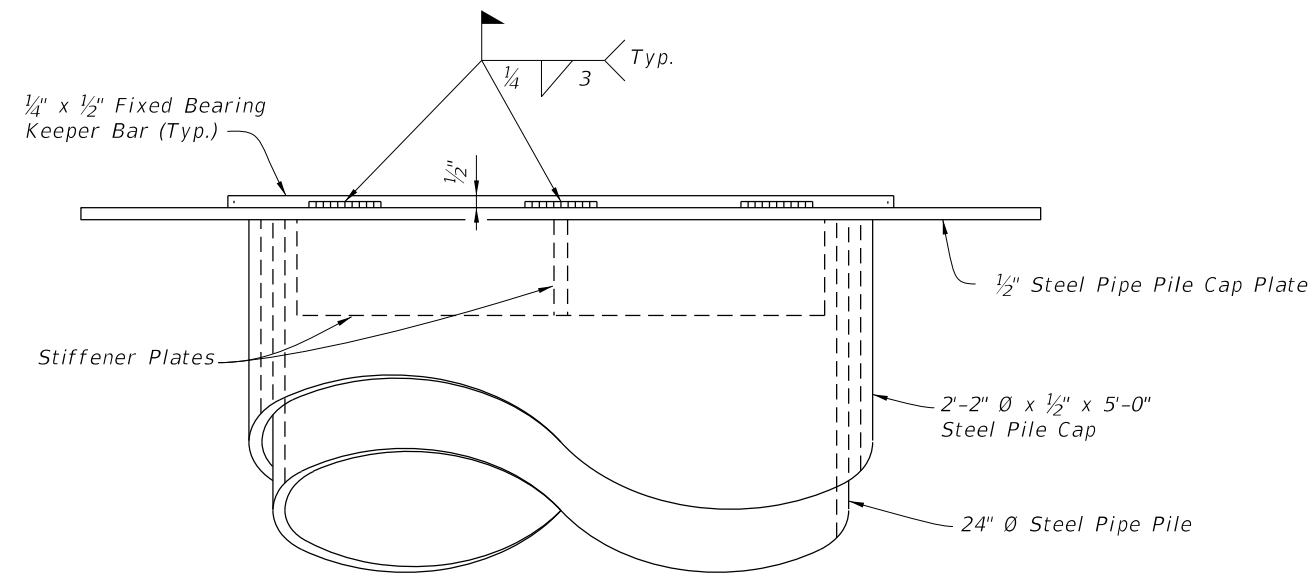
STRUT CONNECTOR PLATE DETAIL

12/17/2015 2:12:32 PM

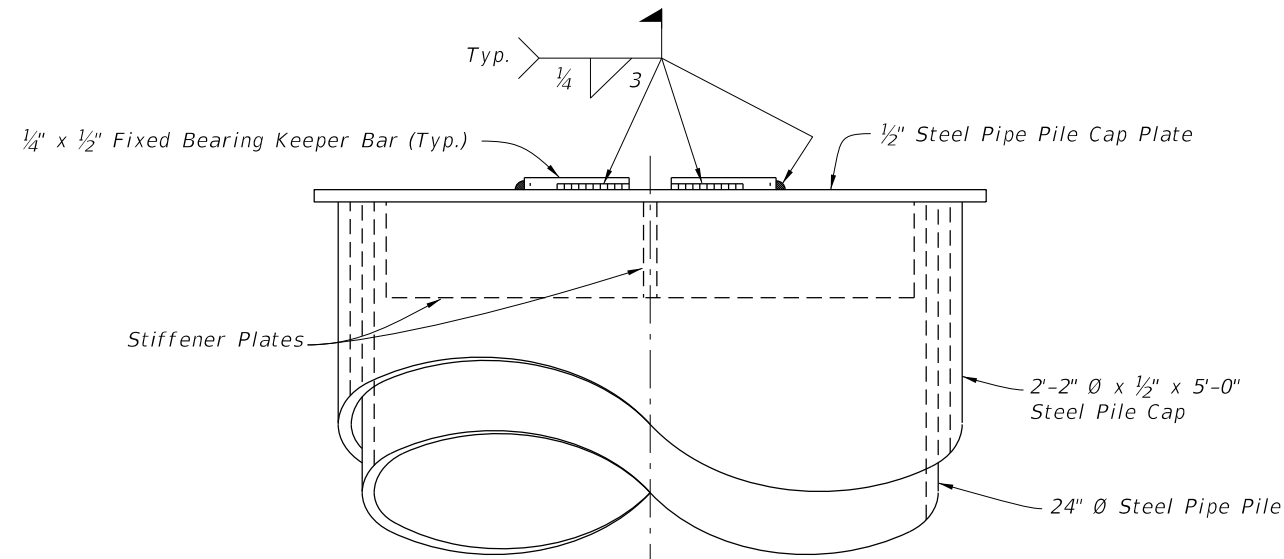
LAST REVISION 07/01/15	REVISION	DESCRIPTION:	 FY 2016-17 DESIGN STANDARDS	TEMPORARY DETOUR BRIDGE DETAILS STEEL PIPE PILE FOUNDATIONS	INDEX NO. 21630	SHEET NO. 1 of 3
---------------------------	----------	--------------	------------------------------------	--	--------------------	---------------------



PARTIAL PLAN VIEW

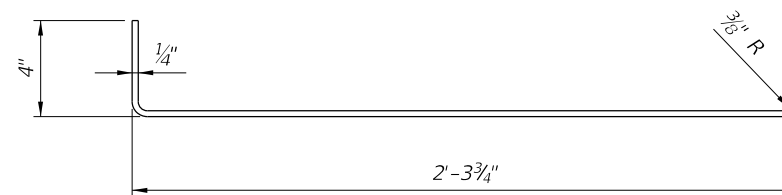


PARTIAL ELEVATION VIEW



END VIEW

Note:
Use Shim Plates as required to provide equal bearing seat elevations across the bent. Vary thickness of Shim Plate across the pile cap plate to provide a level bearing area in the transverse direction.



FIXED BEARING KEEPER BAR DETAIL

FIXED BEARING DETAILS

12/17/2015 2:12:32 PM

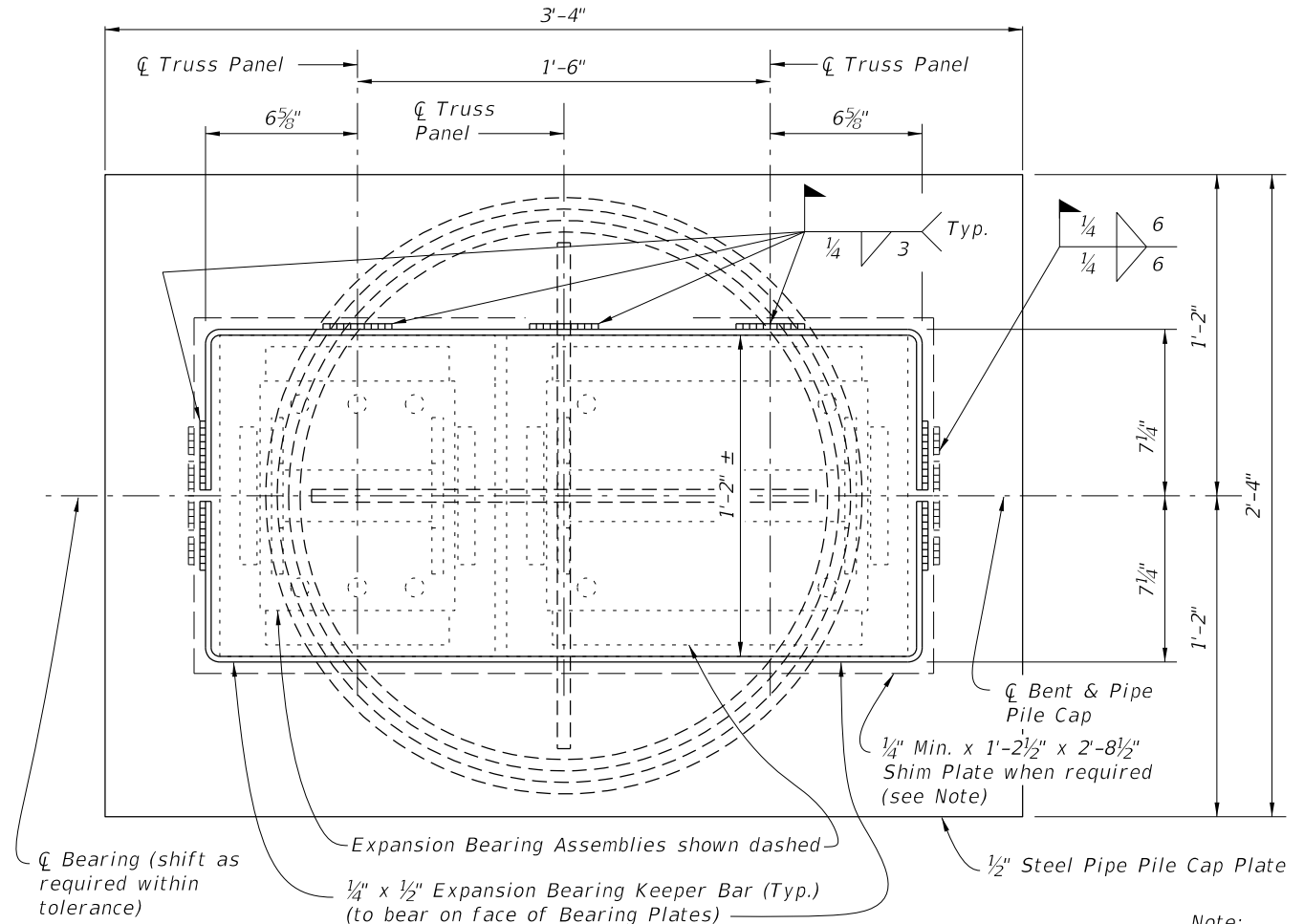
LAST REVISION	DESCRIPTION:
01/01/16	



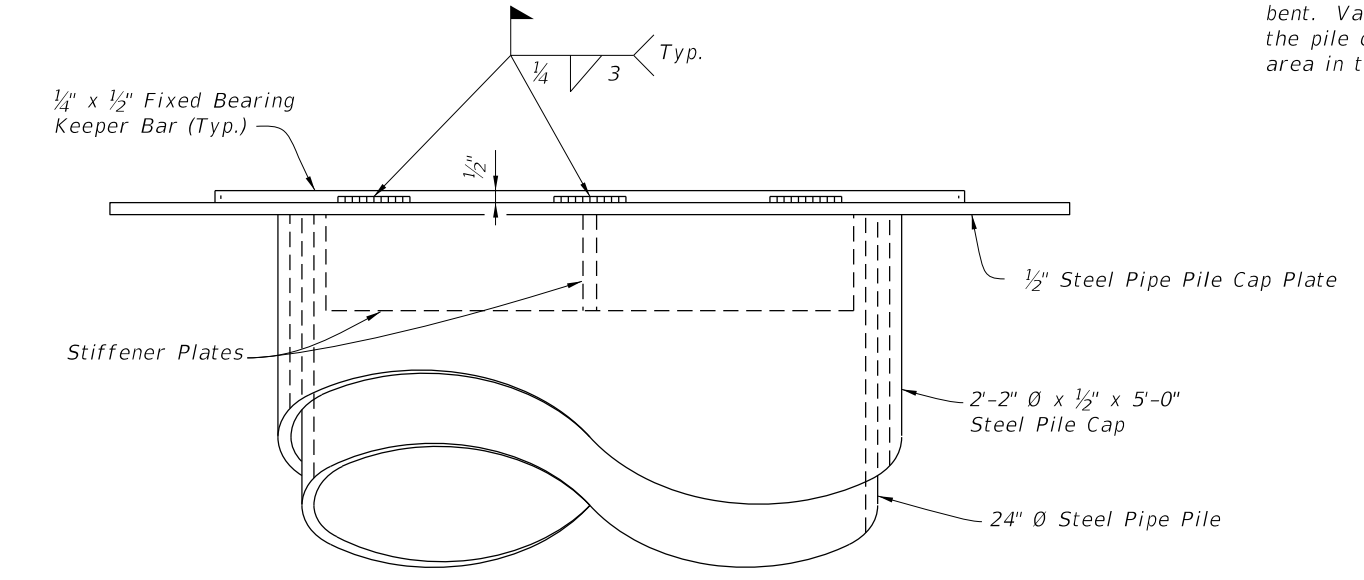
TEMPORARY DETOUR BRIDGE DETAILS
STEEL PIPE PILE FOUNDATIONS

INDEX NO.
21630

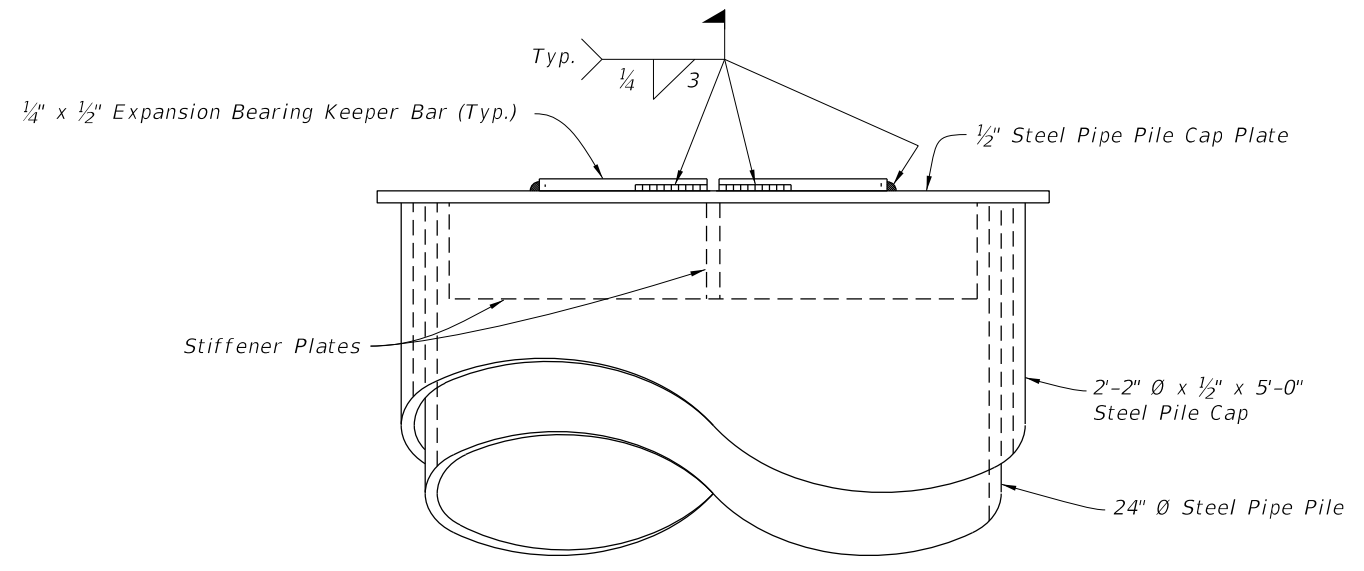
SHEET NO.
2 of 3



PARTIAL PLAN VIEW

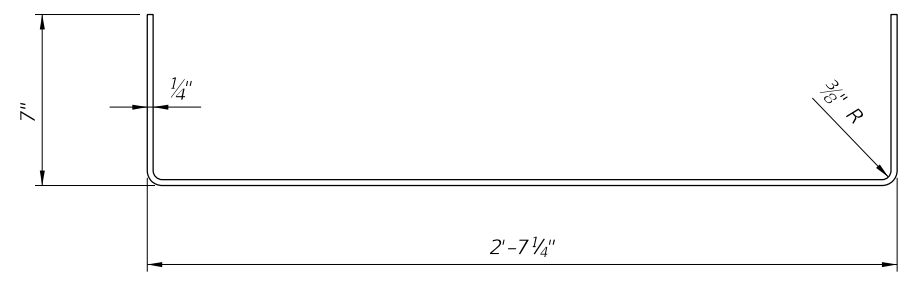


PARTIAL ELEVATION VIEW



END VIEW

Note:
Use Shim Plates as required to provide equal bearing seat elevations across the bent. Vary thickness of Shim Plate across the pile cap plate to provide a level bearing area in the transverse direction.



EXPANSION BEARING KEEPER BAR DETAIL

ABUTMENT AND INTERMEDIATE EXPANSION BEARING DETAILS

12/17/2015 2:12:33 PM

LAST REVISION 01/01/16	DESCRIPTION:		FY 2016-17 DESIGN STANDARDS	TEMPORARY DETOUR BRIDGE DETAILS STEEL PIPE PILE FOUNDATIONS	INDEX NO. 21630	SHEET NO. 3 of 3
REVISION						