

FIXED BEARING KEEPER BAR DETAIL

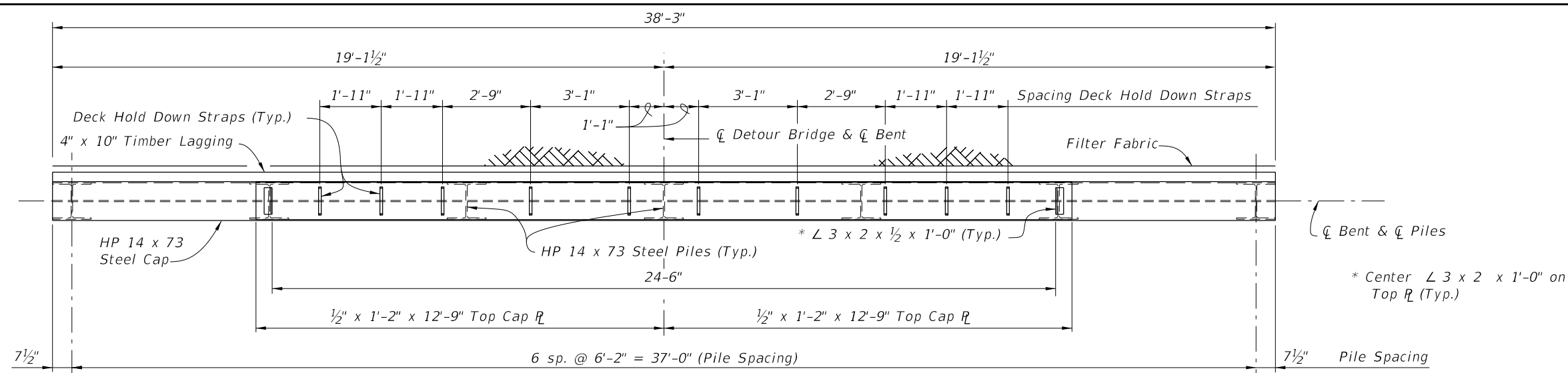
EXPANSION BEARING KEEPER BAR DETAIL

FIXED BEARING DETAILS

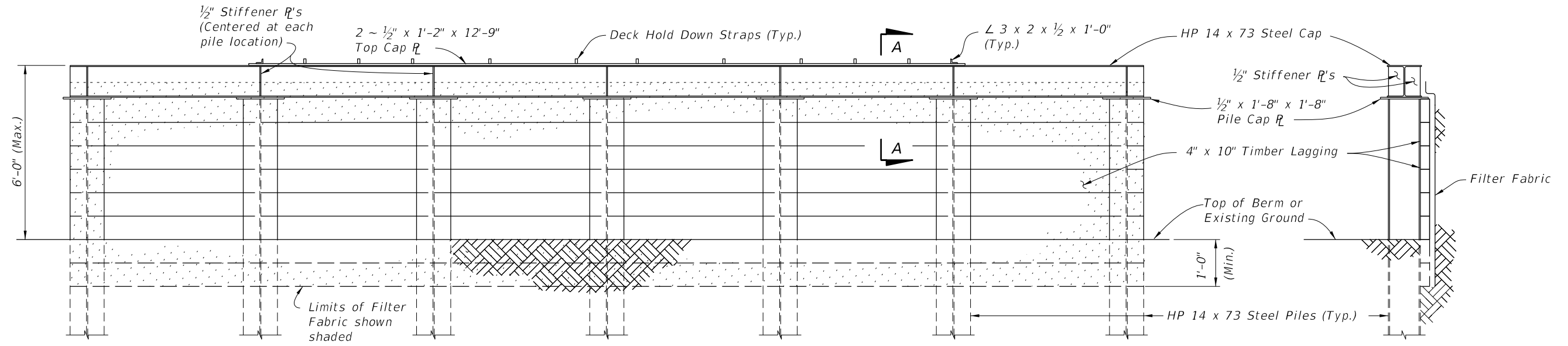
EXPANSION BEARING DETAILS

12/17/2015 2:12:05 PM

LAST REVISION 01/01/16	DESCRIPTION:
---------------------------	--------------

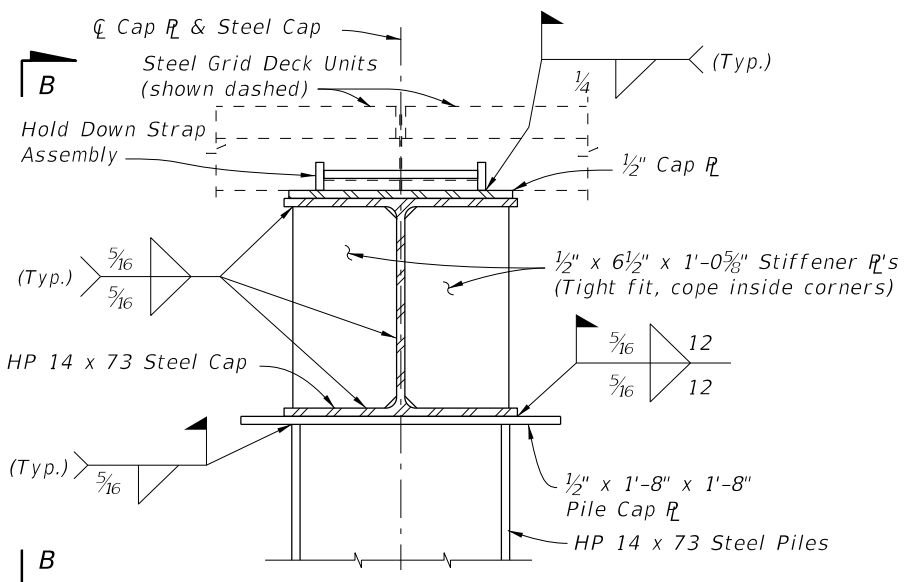


PLAN VIEW

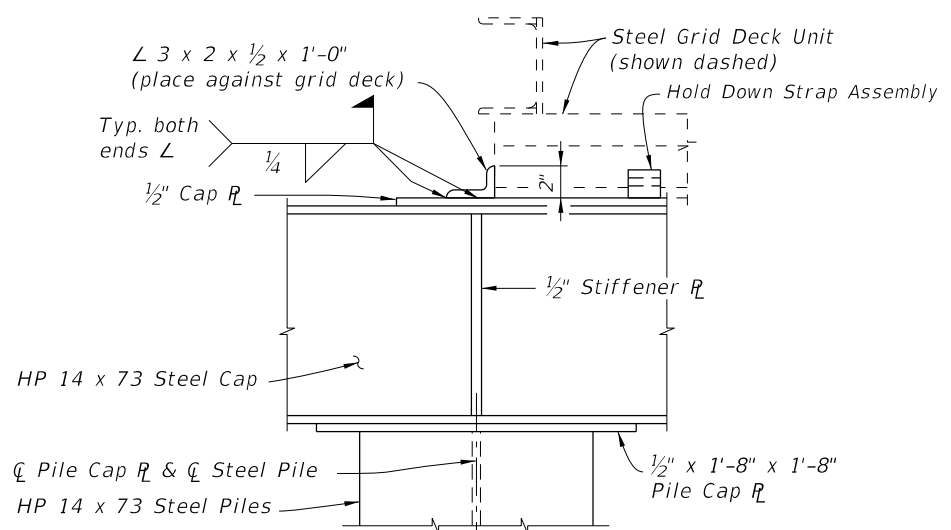


ELEVATION VIEW

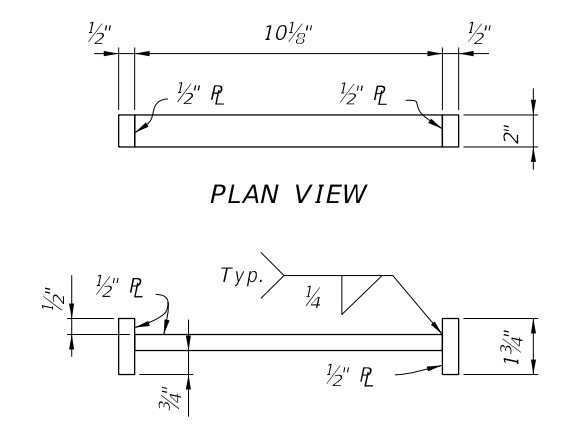
END VIEW



SECTION A-A
(LAGGING NOT SHOWN FOR CLARITY)



VIEW B-B



HOLD DOWN STRAP ASSEMBLY DETAIL

BACKWALL BENT DETAILS

12/17/2015 2:12:06 PM

LAST REVISION 07/01/06	REVISION	DESCRIPTION:	 FY 2016-17 DESIGN STANDARDS	TEMPORARY DETOUR BRIDGE DETAILS STEEL H PILE FOUNDATIONS	INDEX NO. 21620	SHEET NO. 2 of 2
---------------------------	----------	--------------	------------------------------------	---	--------------------	---------------------