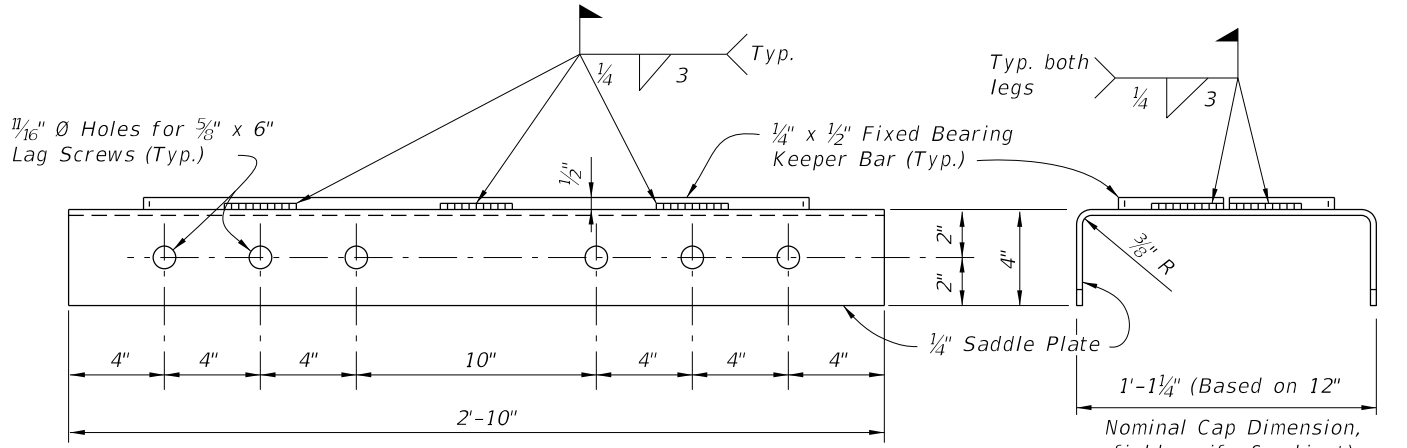
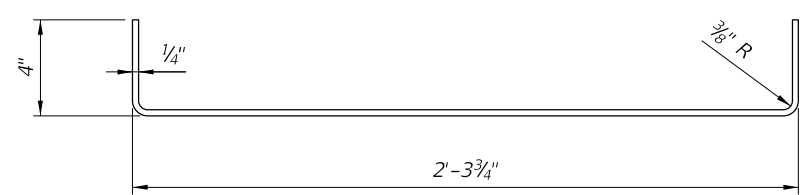


PLAN VIEW



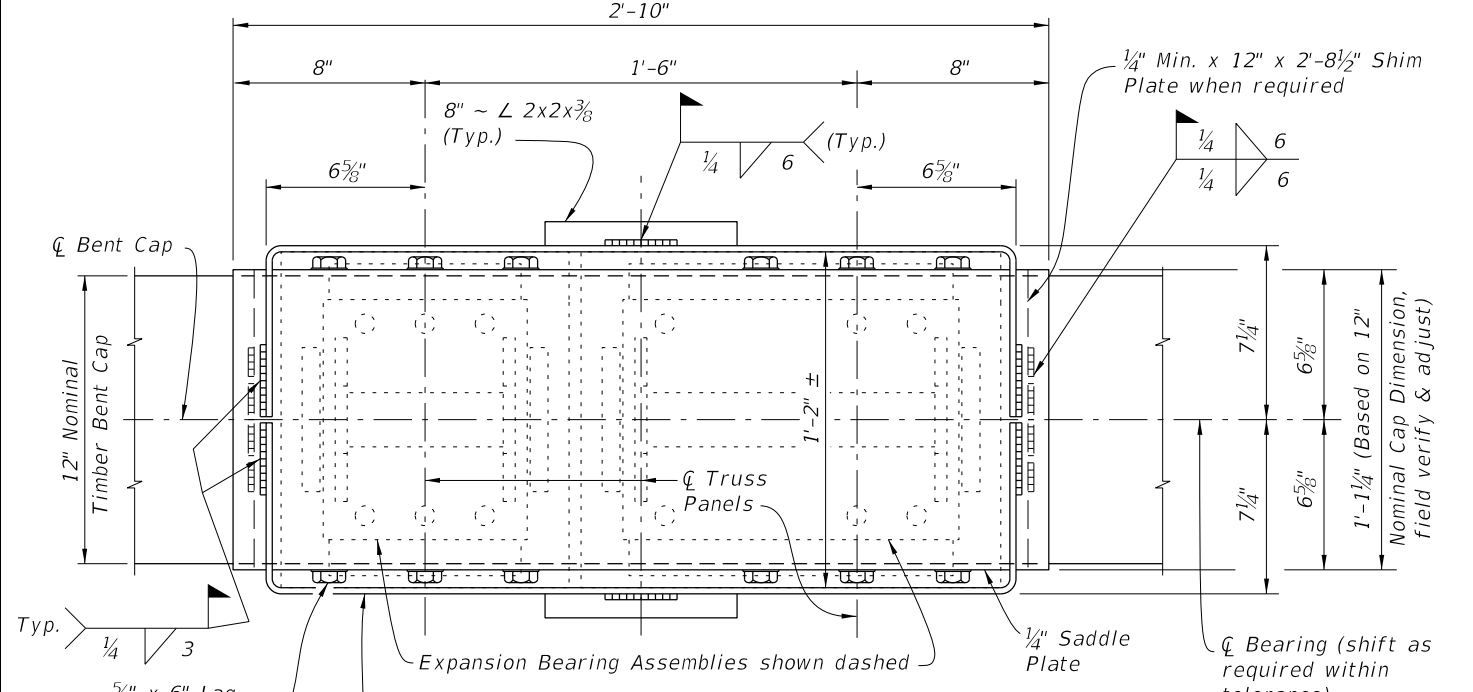
ELEVATION VIEW OF SADDLE PLATE

END VIEW

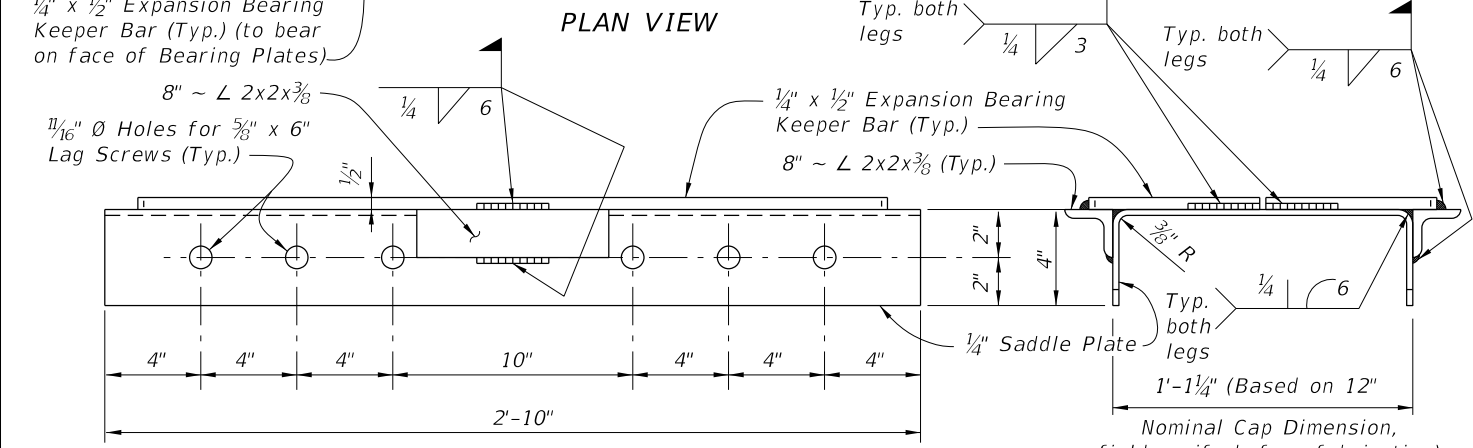


FIXED BEARING KEEPER BAR DETAIL

FIXED BEARING DETAILS

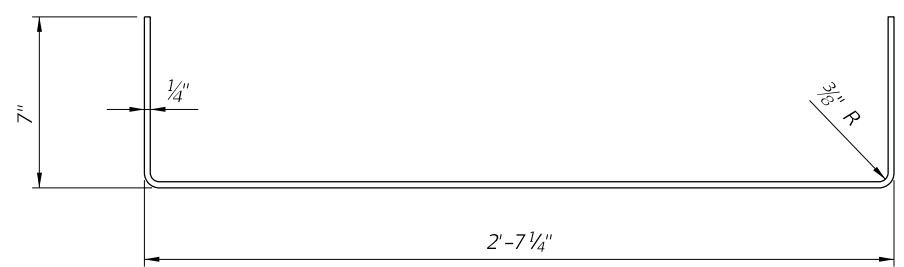


PLAN VIEW



ELEVATION VIEW OF SADDLE PLATE

END VIEW

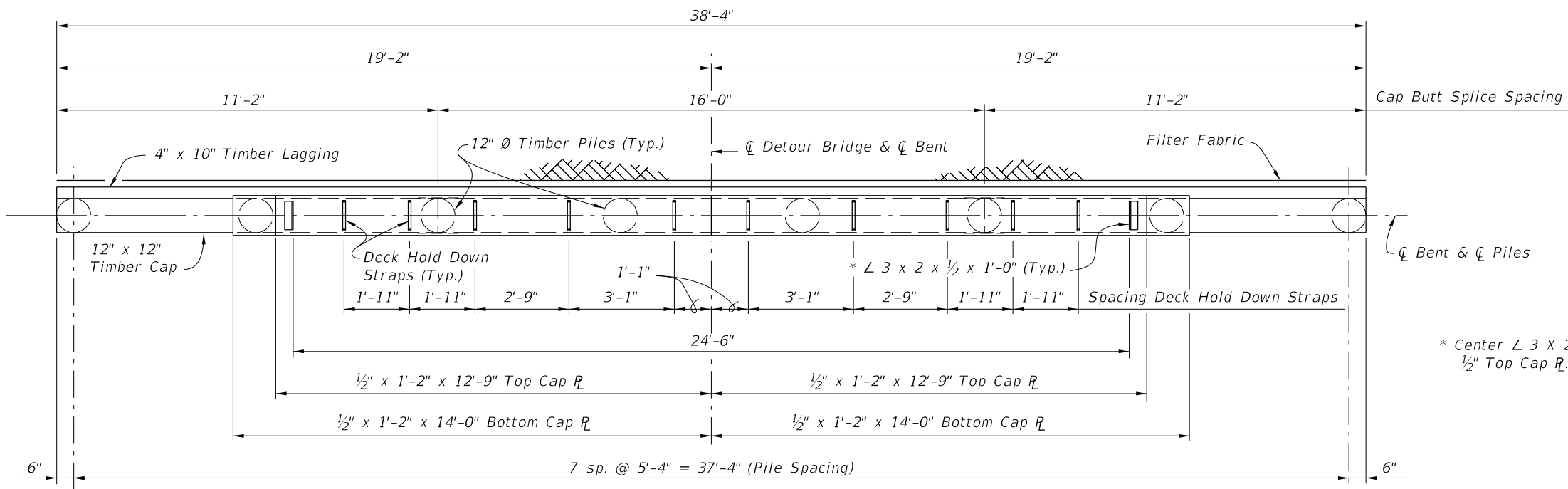


EXPANSION BEARING KEEPER BAR DETAIL

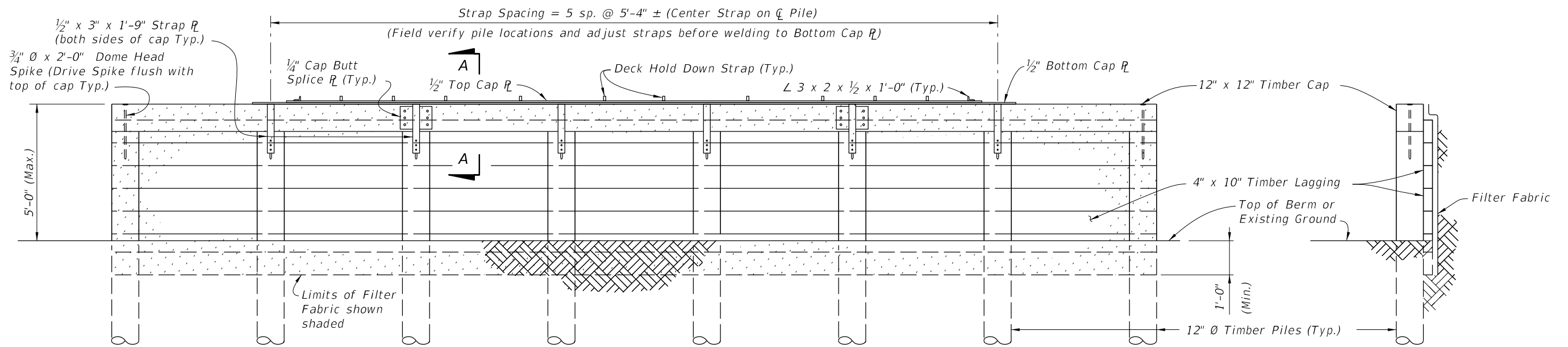
EXPANSION BEARING DETAILS

12/17/2015 2:11:19 PM

LAST REVISION	DESCRIPTION:
01/01/16	



PLAN VIEW




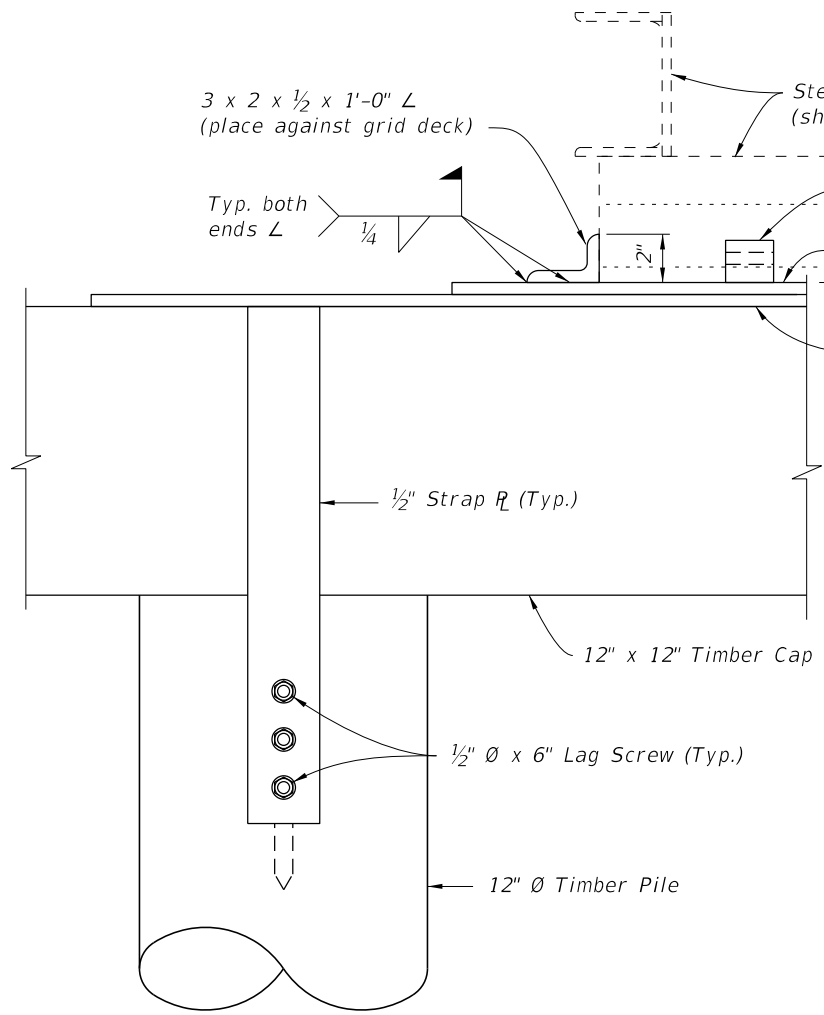
ELEVATION VIEW

END VIEW

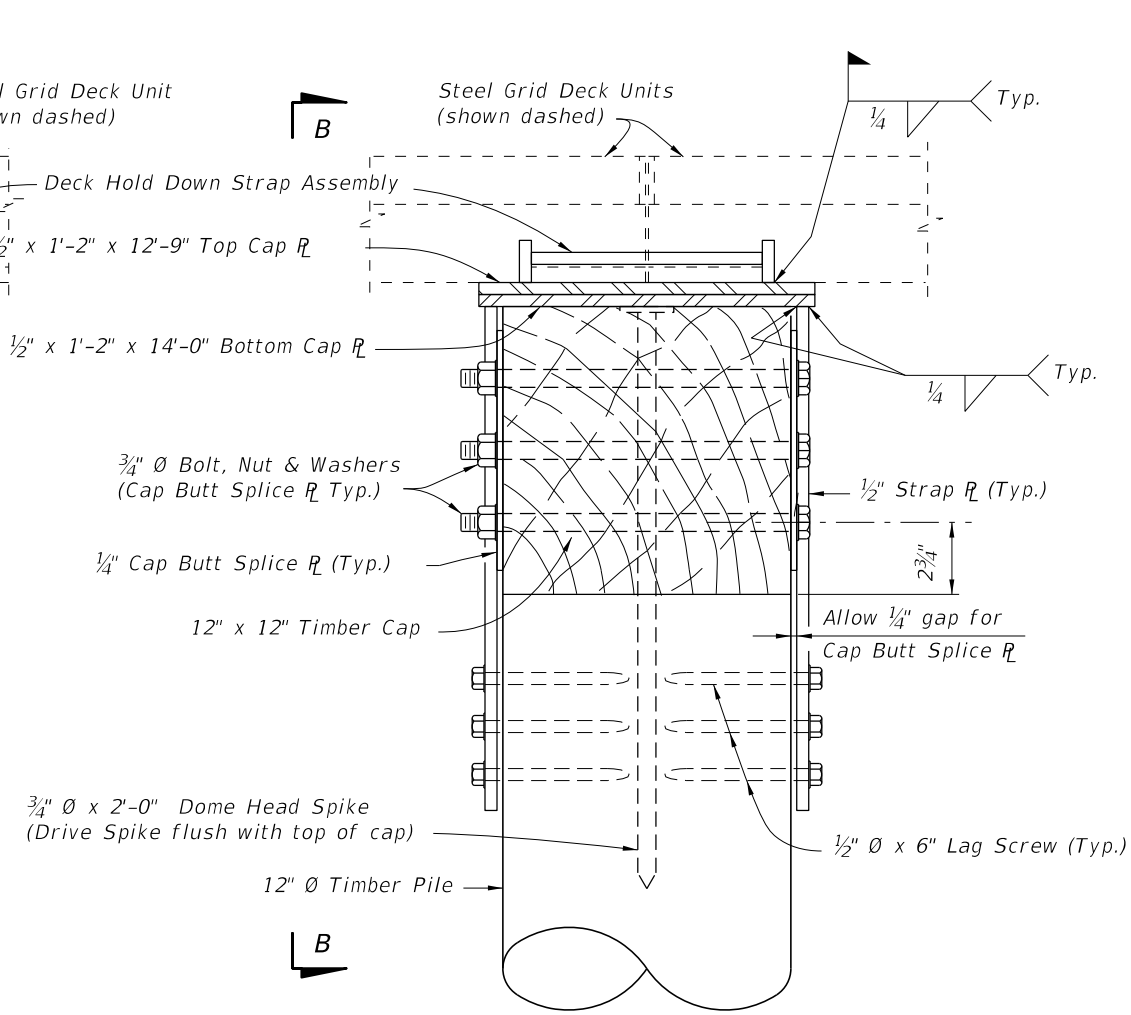
BACKWALL BENT DETAILS

12/17/2015 2:11:20 PM

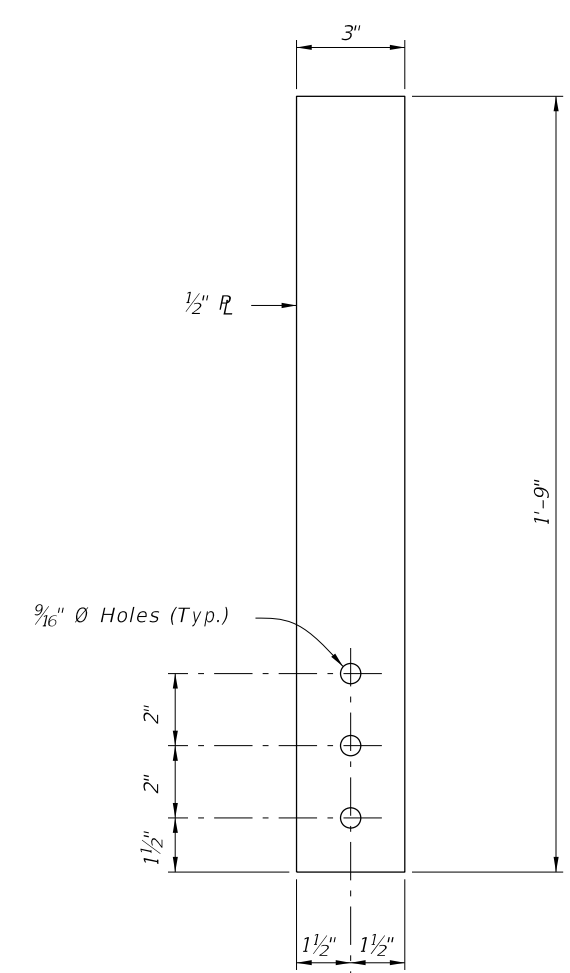
LAST REVISION 07/01/06	REVISION	DESCRIPTION:	 FY 2016-17 DESIGN STANDARDS	TEMPORARY DETOUR BRIDGE DETAILS TIMBER PILE FOUNDATIONS	INDEX NO. 21610	SHEET NO. 2 of 3
---------------------------	----------	--------------	----------------------------------------------------------------------------------------------------------------------	------------------------------------------------------------	--------------------	---------------------



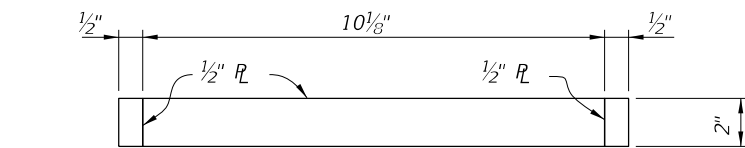
VIEW B-B
 (SHOWING END OF CAP PLATES)



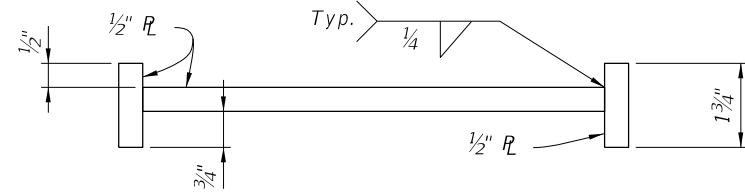
SECTION A-A



STRAP PLATE DETAIL

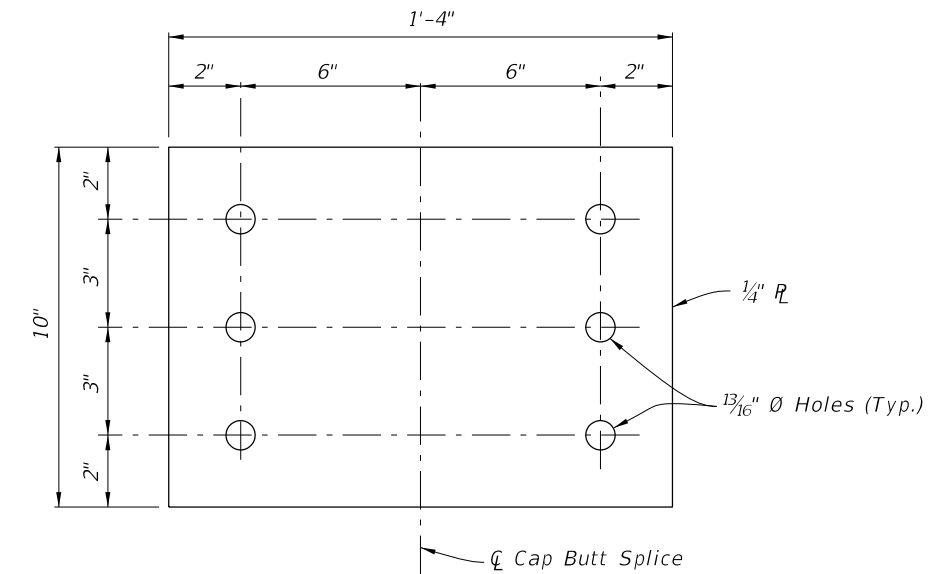


PLAN VIEW



ELEVATION VIEW

HOLD DOWN STRAP ASSEMBLY DETAIL



CAP BUTT SPLICE PLATE DETAIL

BACKWALL BENT DETAILS

12/17/2015 2:11:20 PM

LAST REVISION 07/01/06	REVISION	DESCRIPTION:
---------------------------	----------	--------------