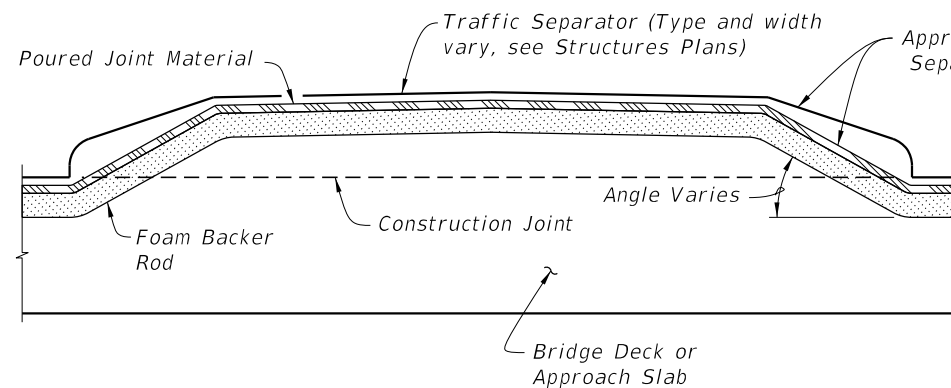
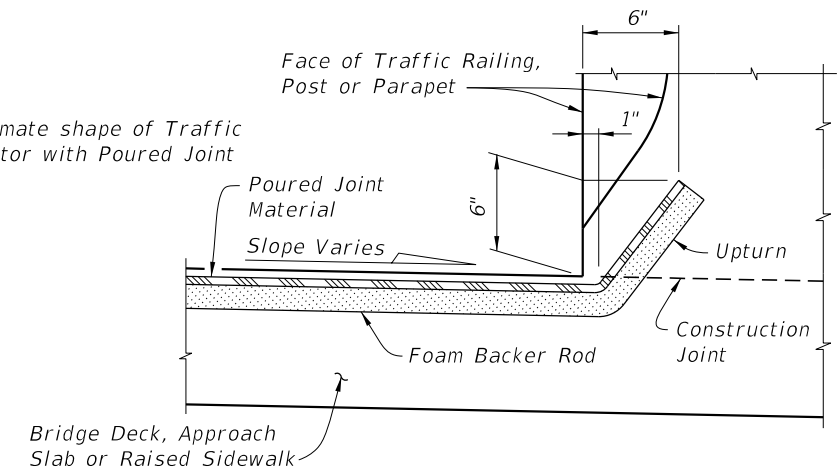


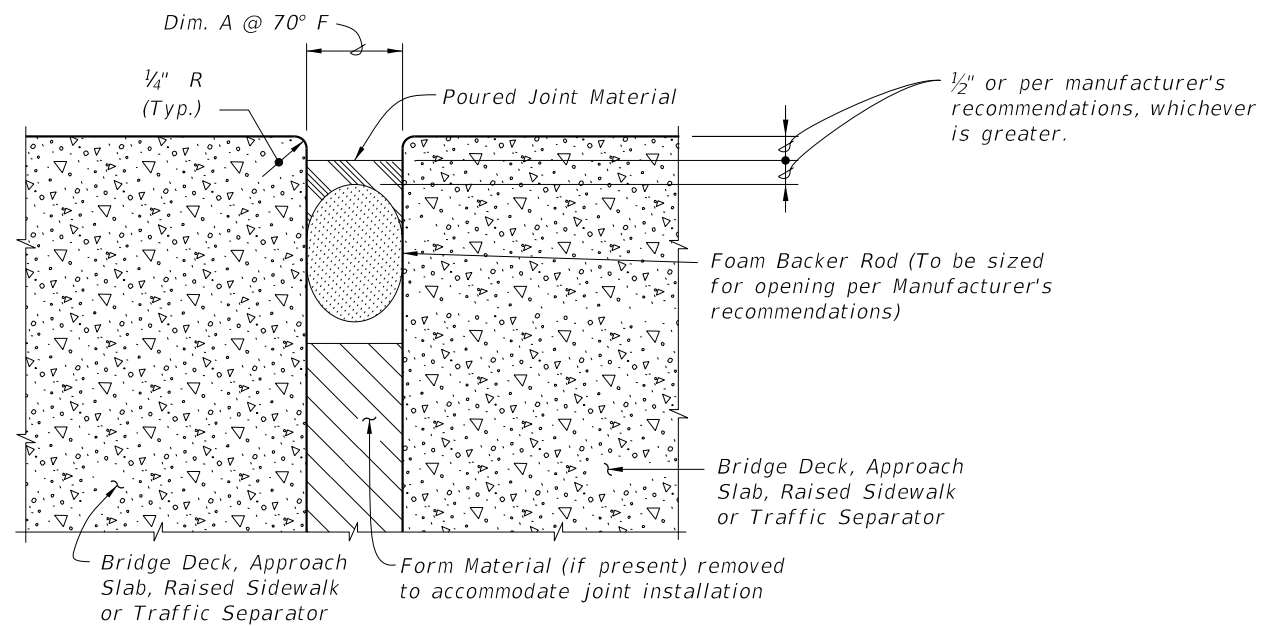
PARTIAL SECTION ALONG Q-Q JOINT  
JOINT TREATMENT AT HIGH SIDE OF  
DECK WITH SLOPES 1% OR GREATER



PARTIAL SECTION ALONG Q-Q JOINT,  
JOINT TREATMENT AT TRAFFIC SEPARATOR



PARTIAL SECTION ALONG Q-Q JOINT  
JOINT TREATMENT AT LOW SIDE OF DECK OR  
HIGH SIDE OF DECK WITH SLOPES < 1%




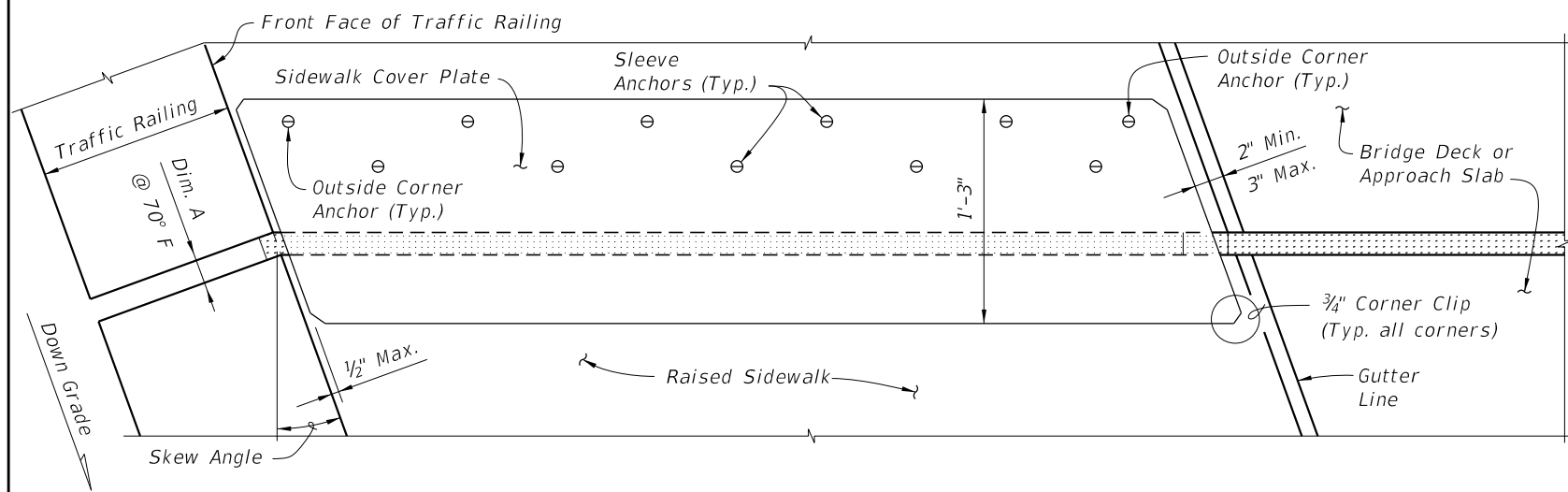
TYPICAL SECTION THRU JOINT

GENERAL NOTES:

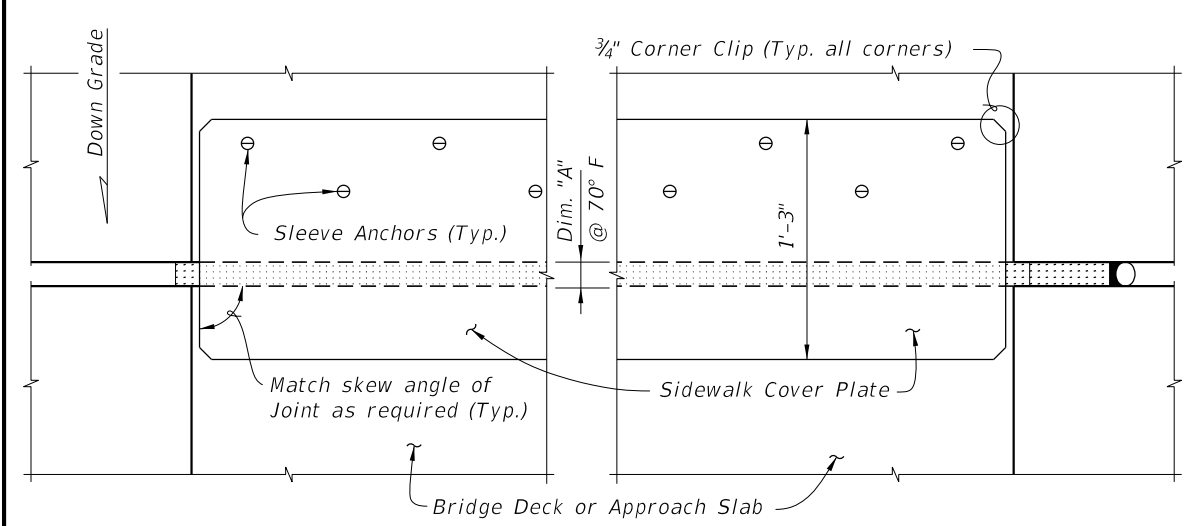
1. Furnish and install Poured Joint With Backer Rod Expansion Joint Systems in accordance with Specification Sections 458 and 932 using Type D silicone sealant material.
2. Refer to the Structures Plans, Poured Expansion Joint Data Table for Dim. A @ 70° F.

12/17/2015 1:48:01 PM

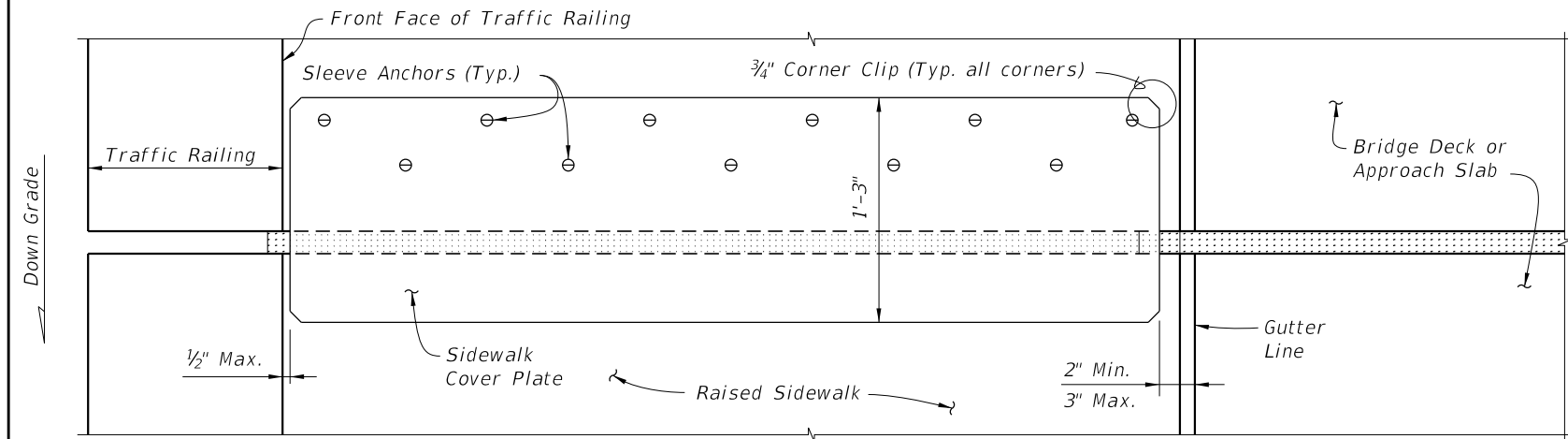
LAST REVISION 07/01/14	REVISION	DESCRIPTION:	 FY 2016-17 DESIGN STANDARDS	Poured Joint with Backer Rod Expansion Joint System	INDEX NO. 2110	SHEET NO. 1 of 2
---------------------------	----------	--------------	--	--	-------------------	---------------------



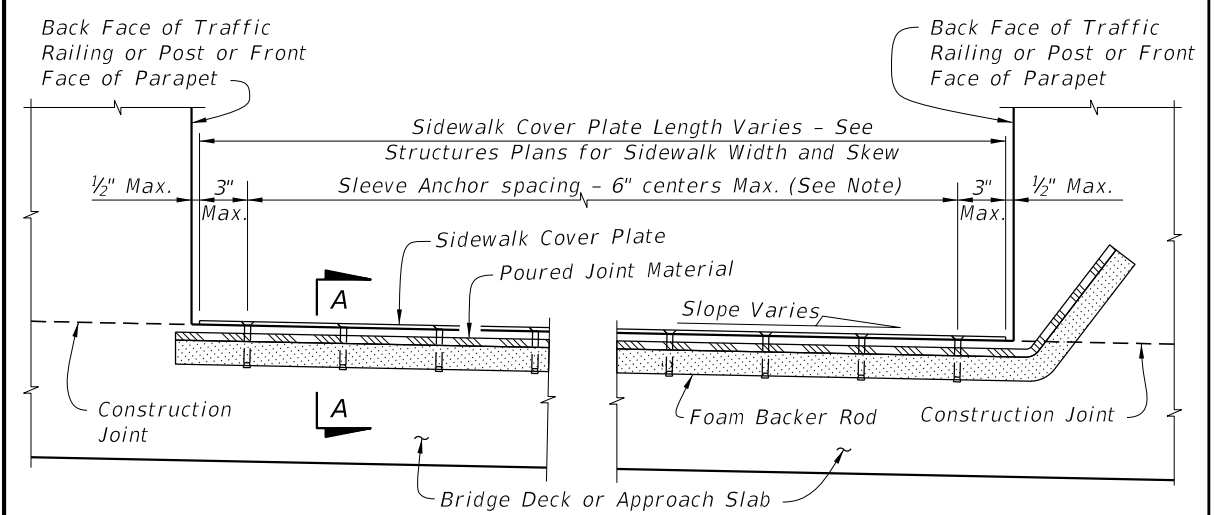
PARTIAL PLAN VIEW OF SKEWED JOINTS



PARTIAL PLAN VIEW

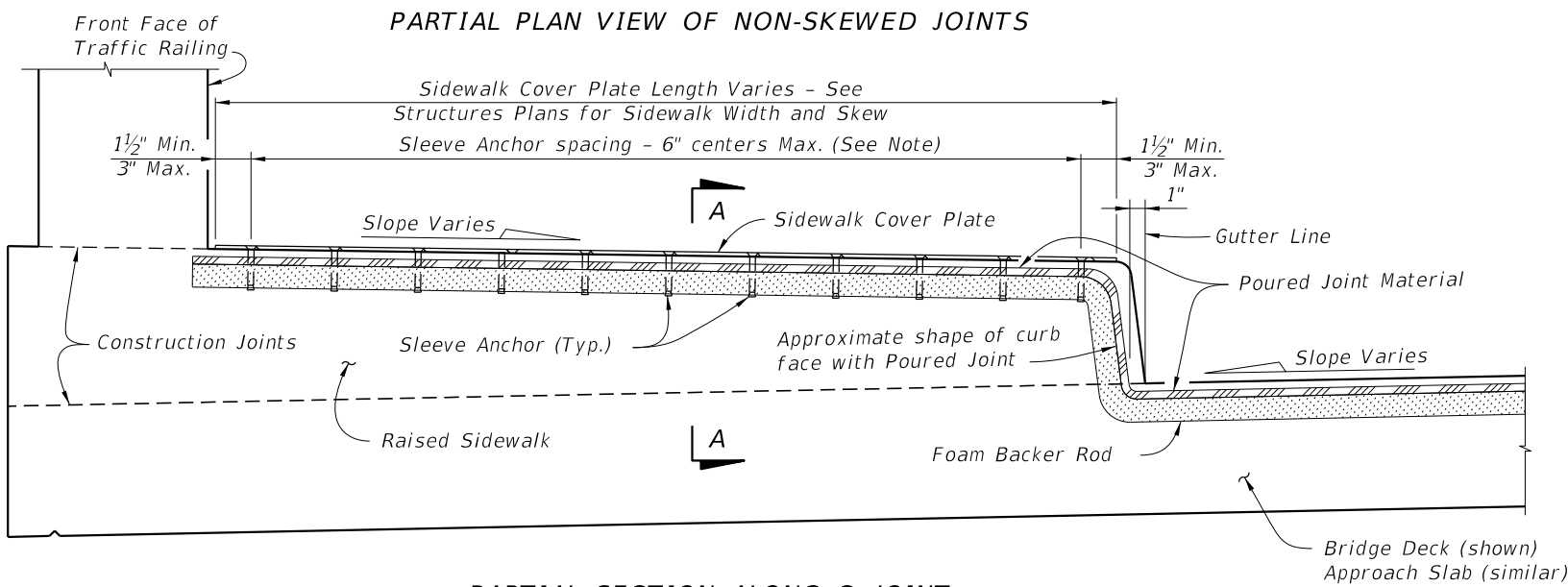


PARTIAL PLAN VIEW OF NON-SKEWED JOINTS



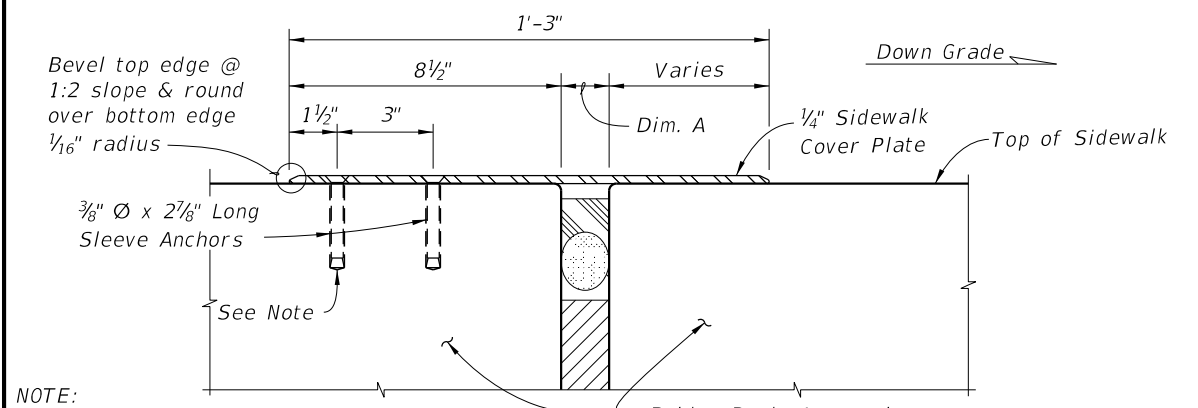
PARTIAL SECTION ALONG Q-JOINT

FLUSH SIDEWALK DETAIL



PARTIAL SECTION ALONG Q-JOINT

RAISED SIDEWALK DETAIL



NOTE: Sleeve Anchors are required at the two outside corners of the Sidewalk Cover Plate. Space Sleeve Anchors uniformly between the corner anchors.

SECTION A-A

12/17/2015 1:48:02 PM

LAST REVISION 07/01/13	DESCRIPTION:	FDOT FY 2016-17 DESIGN STANDARDS	POURED JOINT WITH BACKER ROD EXPANSION JOINT SYSTEM	INDEX NO. 21110	SHEET NO. 2 of 2
---------------------------	--------------	--	--	--------------------	---------------------