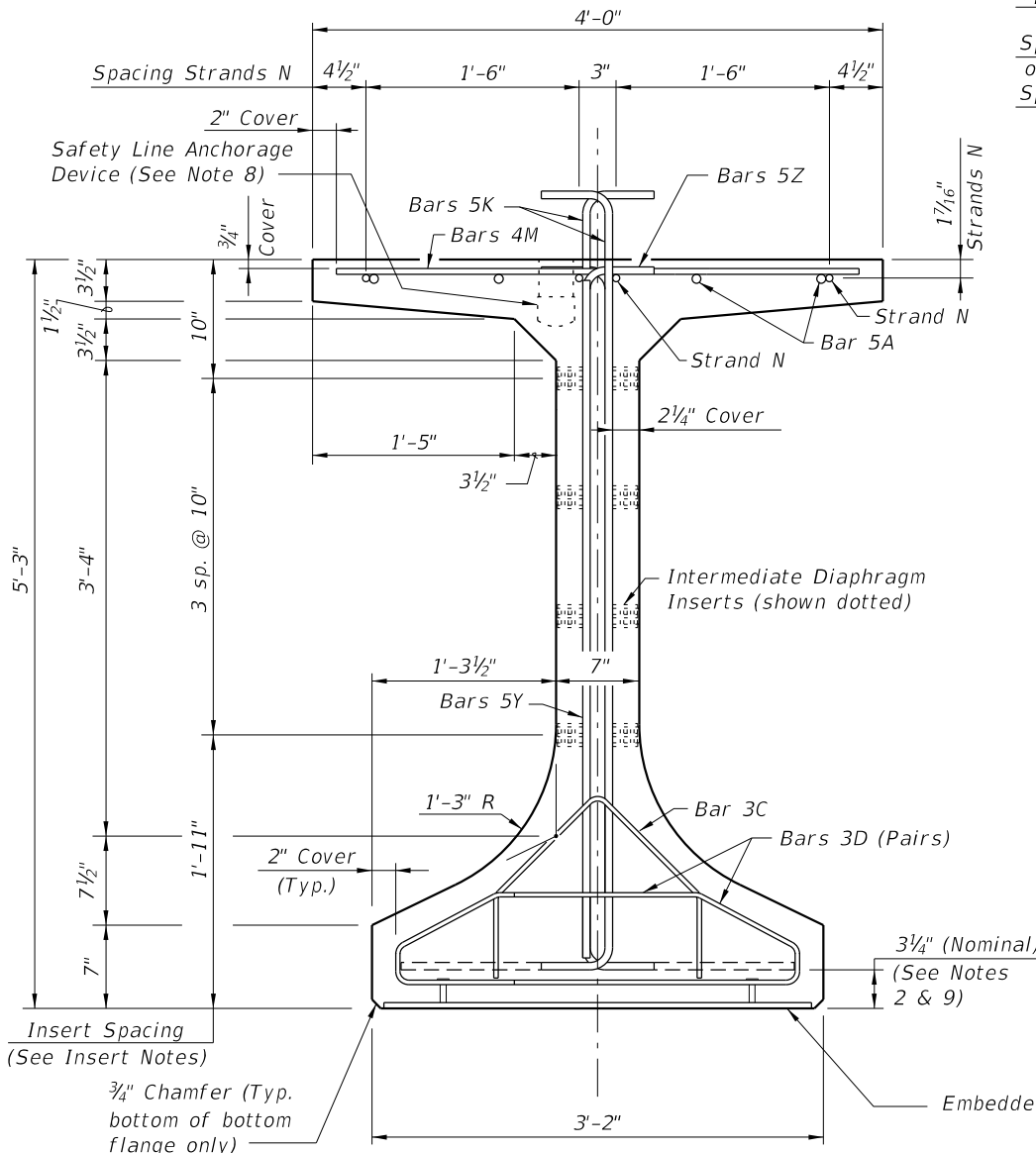
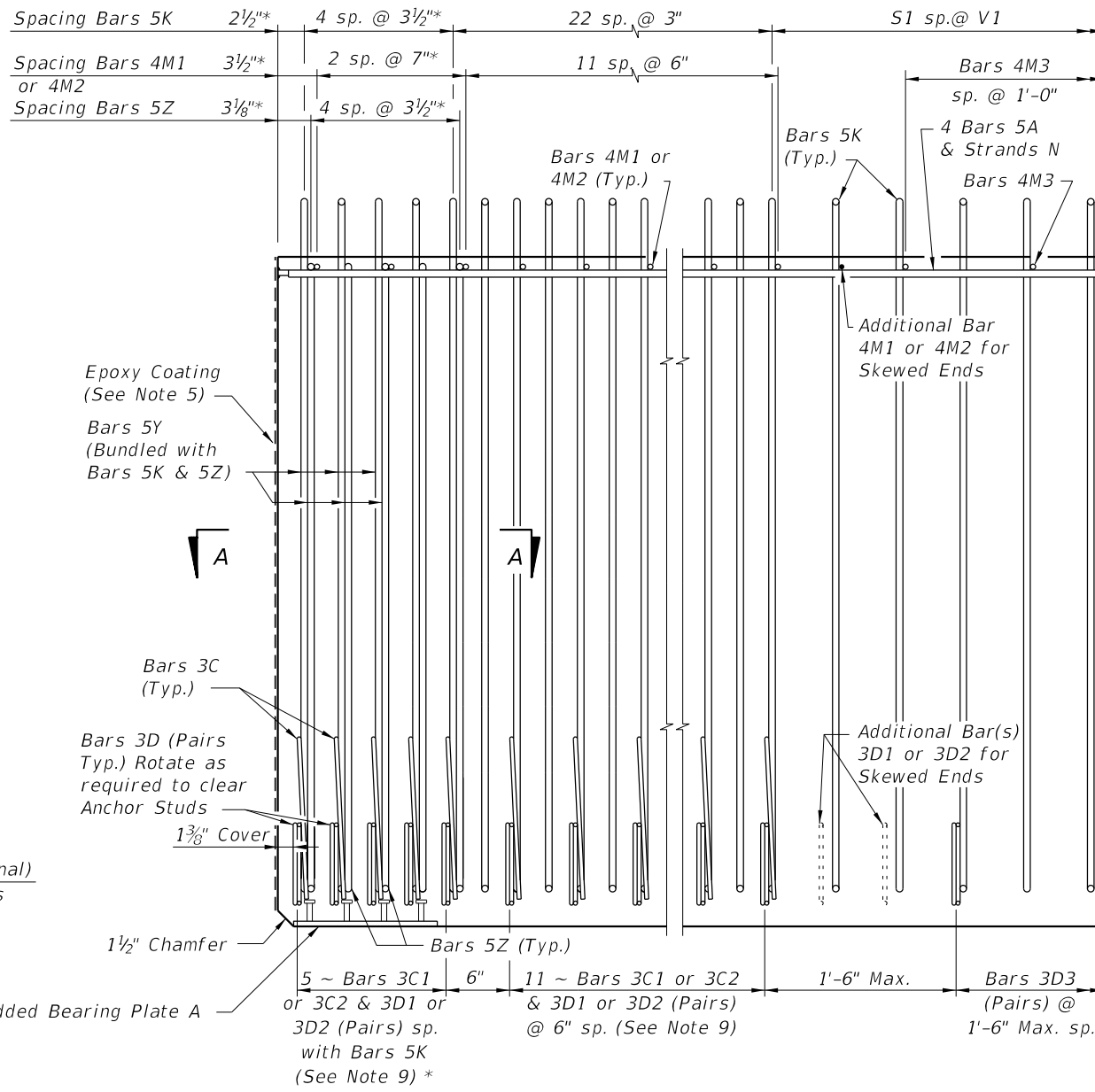


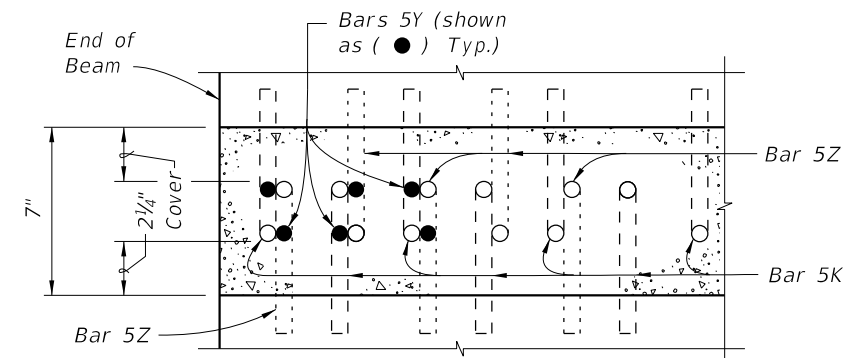
\* These dimensions are measured perpendicular to the end of beam



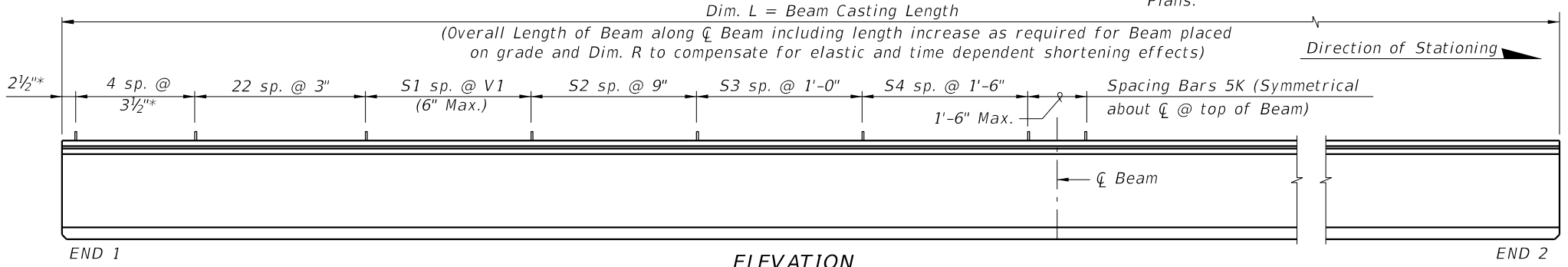
END VIEW



ELEVATION AT END OF BEAM  
(Flanges Not Shown For Clarity)  
(End 1 Shown, End 2 Similar)



SECTION A-A FOR CONVENTIONAL REINFORCING  
(Showing Bars 5K, 5Y & 5Z Only)

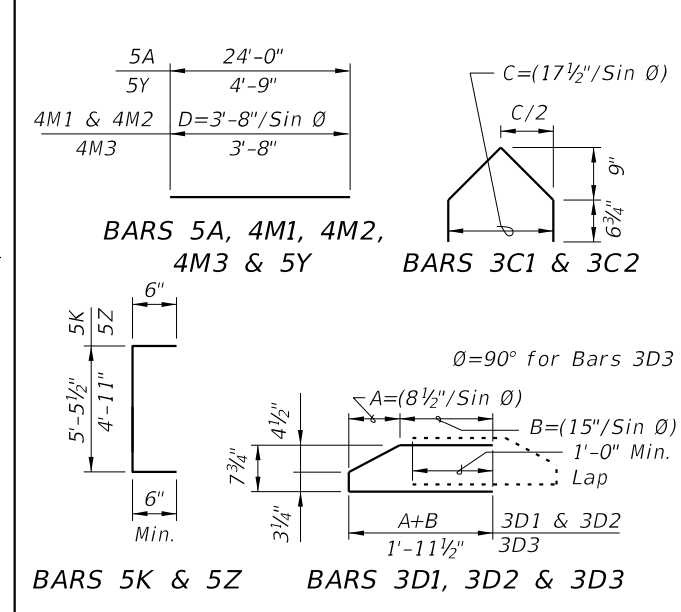


ELEVATION

CONVENTIONAL REINFORCING  
BAR BENDING DETAILS

BILL OF REINFORCING STEEL				
MARK	NOTE NUMBERS	SIZE	NUMBER REQUIRED	LENGTH (NOTE 1)
A	—	5	8	24'-0"
C1	9, 10 & 11	3	16 (End 1)	Varies
C2	9, 10 & 11	3	16 (End 2)	Varies
D1	9, 10, 11 & 14	3	32 (End 1)	Varies
D2	9, 10, 11 & 14	3	32 (End 2)	Varies
D3	9 & 14	3	See Table	4'-3"
K	2, 9, 11 & 13	5	See Table	6'-5"
M1	9 & 10	4	14 (End 1)	Varies
M2	9 & 10	4	14 (End 2)	Varies
M3	9	4	See Table	3'-8"
N	3 & 4	3/8" Ø Strand	4	Dim. L
Y	9 & 11	5	12	4'-9"
Z	2, 9, 11 & 13	5	10	5'-11"

BENDING DIAGRAMS (See Note 1)

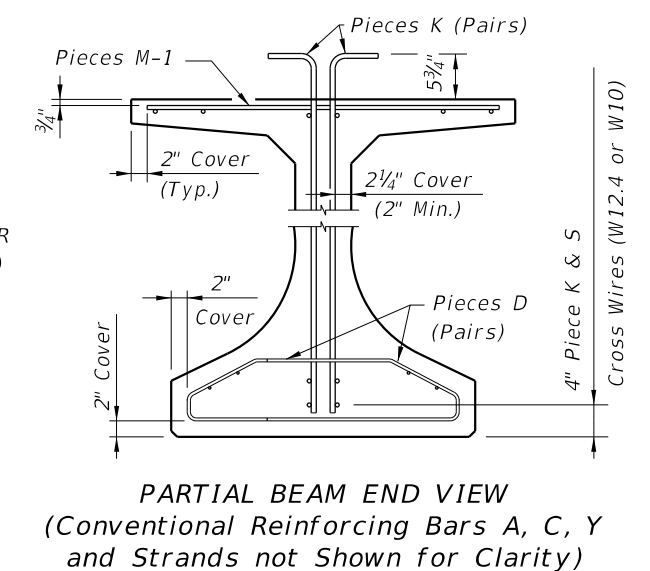
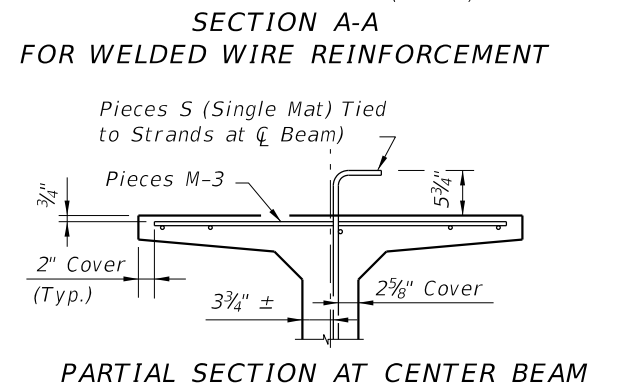
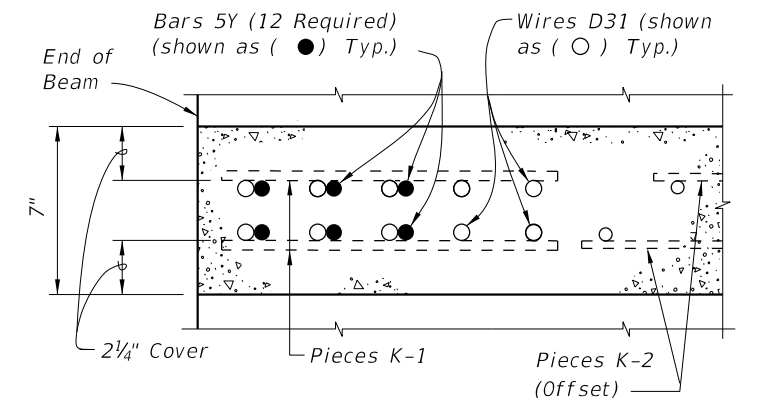
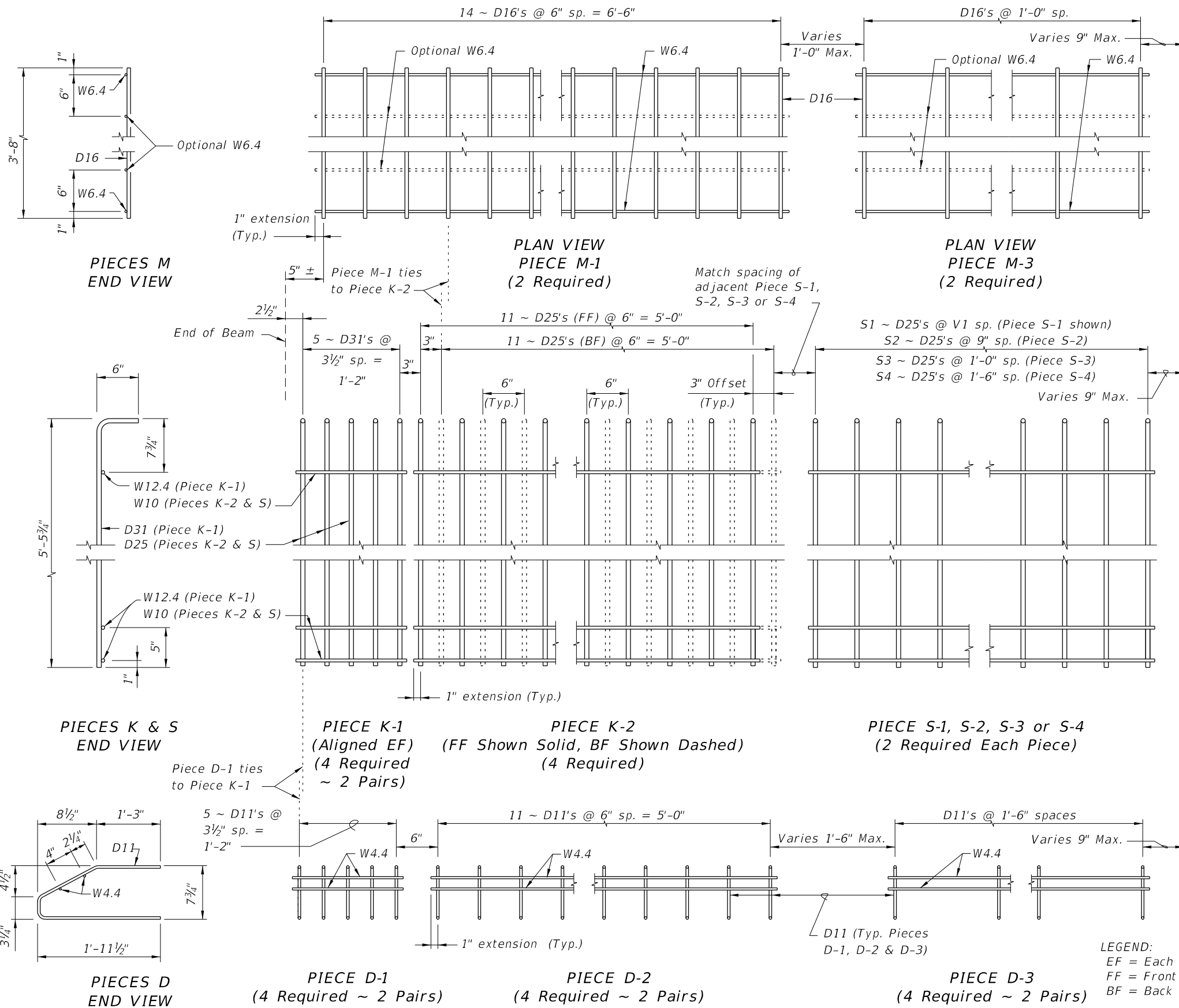


- NOTES:
- A. Work this Index with Index No. 20010 - Typical Florida-I Beam Details and Notes and the Florida-I Beam - Table of Beam Variables in Structures Plans.
  - B. For referenced notes, see Index No. 20010.
  - C. For Dimensions A, B, C, D, L, R & V1 and number of spaces S1 thru S4, see Florida-I Beam - Table of Beam Variables in Structures Plans.

12/17/2015 1:20:12 PM

LAST REVISION	DESCRIPTION:
07/01/12	

ALTERNATE REINFORCING STEEL (WELDED WIRE REINFORCEMENT) DETAILS



- NOTES:**
- See Sheet 1 for placement details & Table of Beam Variables in Structures Plans for variables S1, S2, S3, S4 & V1.
  - Place Conventional Reinforcing Bars 5A & 3C as shown on Sheet 1. Place additional Bars 5Y as shown in Section A-A for Welded Wire Reinforcement. Bars 5Z will not be used with the WWR Option.
  - Pieces may be fabricated in multiple length sections.
  - For beams with skewed end conditions, Pieces D-1, D-2 & M-1 shall not be used; Conventional Reinforcing Bars D1, D2, C1, C2, M1 & M2 shall be used. See Index No. 20010 Skew Details and Note 9 for placement details. Shift Pieces K & Bars 5Y to accommodate skewed end conditions and align with Bars C and D.
- LEGEND:**  
 EF = Each Face  
 FF = Front Face  
 BF = Back Face

12/17/2015 1:20:13 PM

LAST REVISION 07/01/10	DESCRIPTION:		FY 2016-17 DESIGN STANDARDS	FLORIDA-I 63 BEAM - STANDARD DETAILS	INDEX NO. 20063	SHEET NO. 2 of 2
REVISION						