

**VIEW A-A**  
(Shear key shown dashed)

**NOTES**

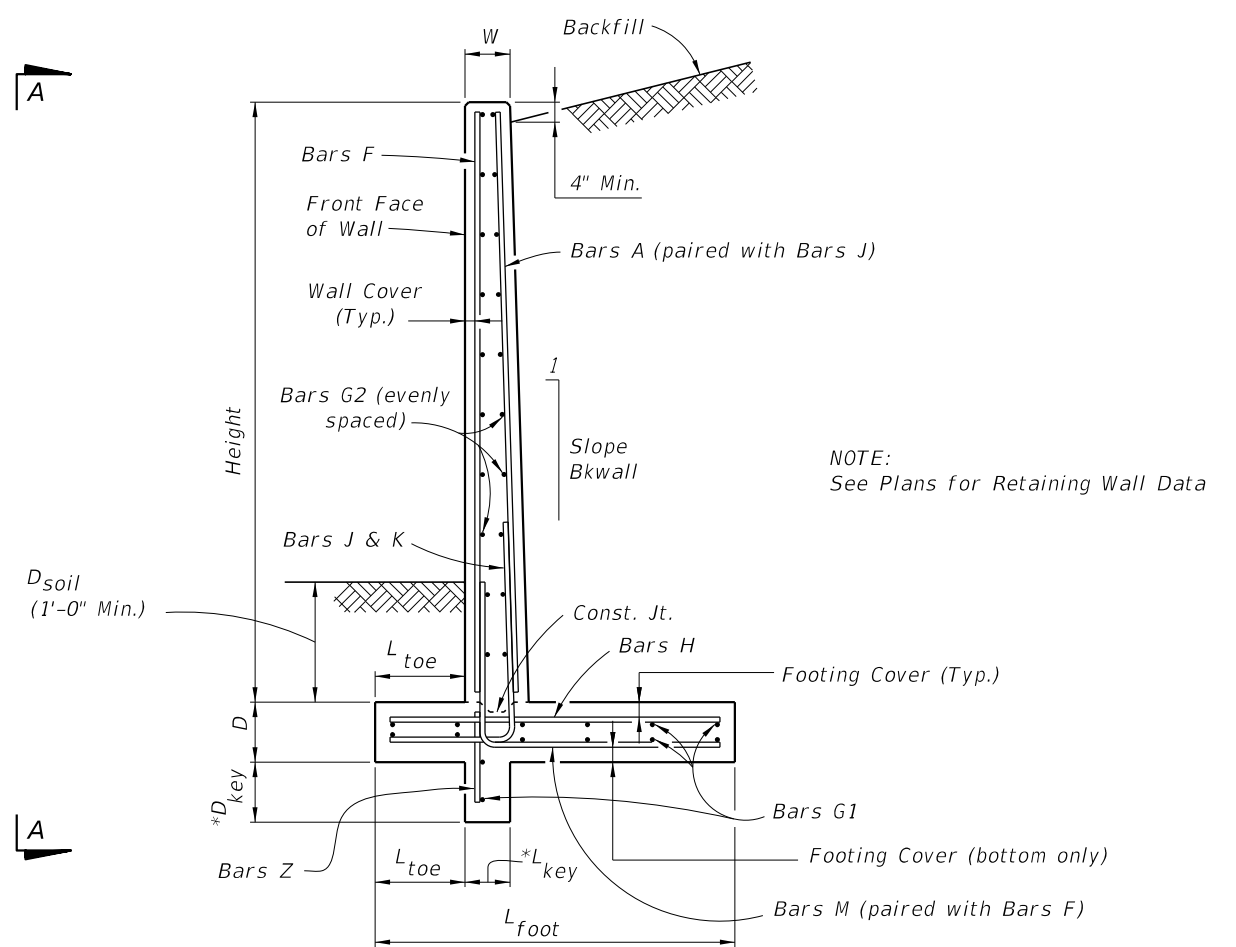
**DESIGN SPECIFICATIONS:**

Design according to FDOT Structures Manual (current edition).

**TRAFFIC RAILINGS OR PARAPETS:**

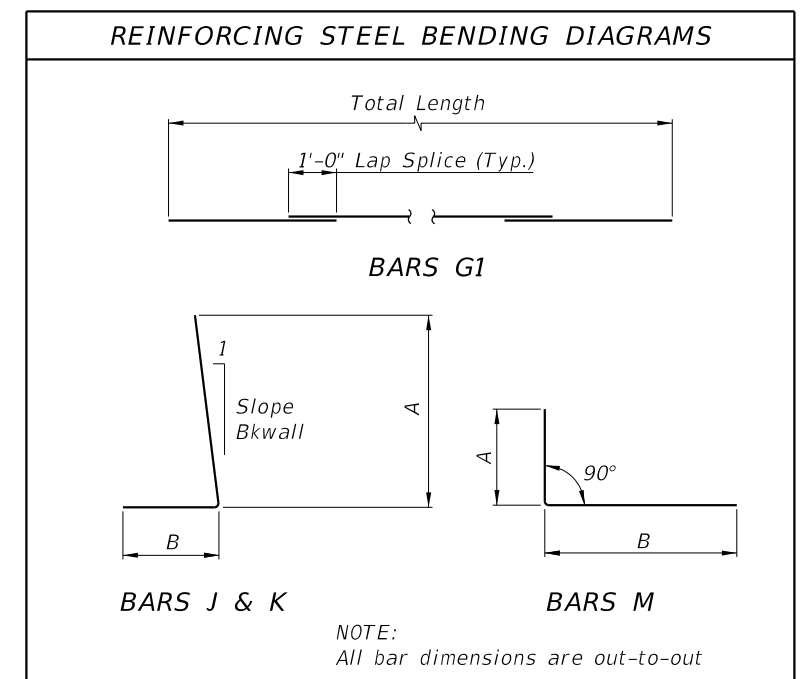
If there is a Traffic Railing or Parapet on the wall, align Wall Joints with V-Grooves, and Wall Expansion Joints with Barrier Open Joints.

**FOUNDATION:** Prepare the soil below the footing in accordance with the requirements for spread footings in Specification Section 455.



**TYPICAL SECTION**

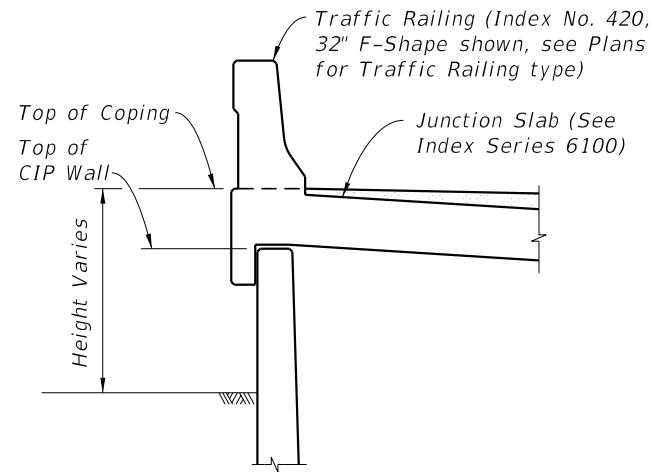
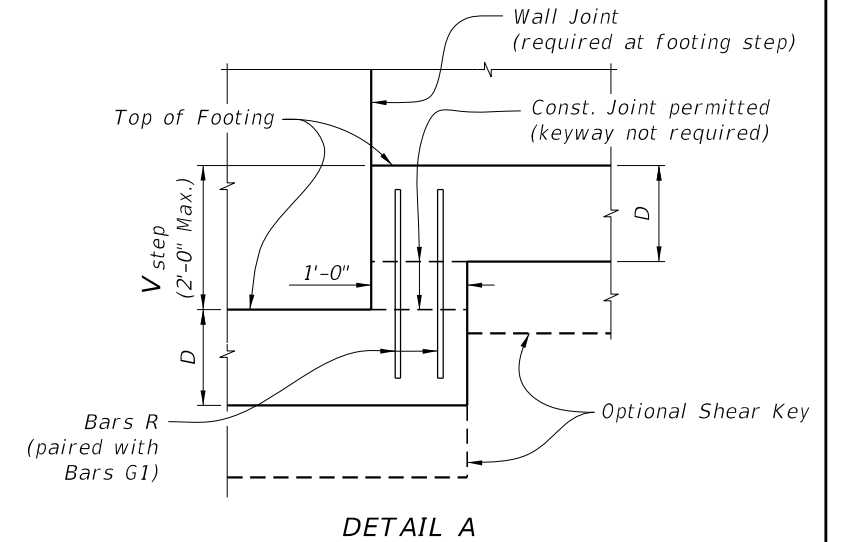
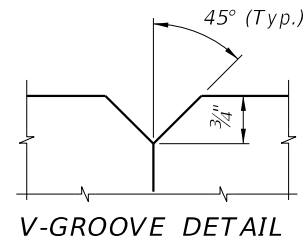
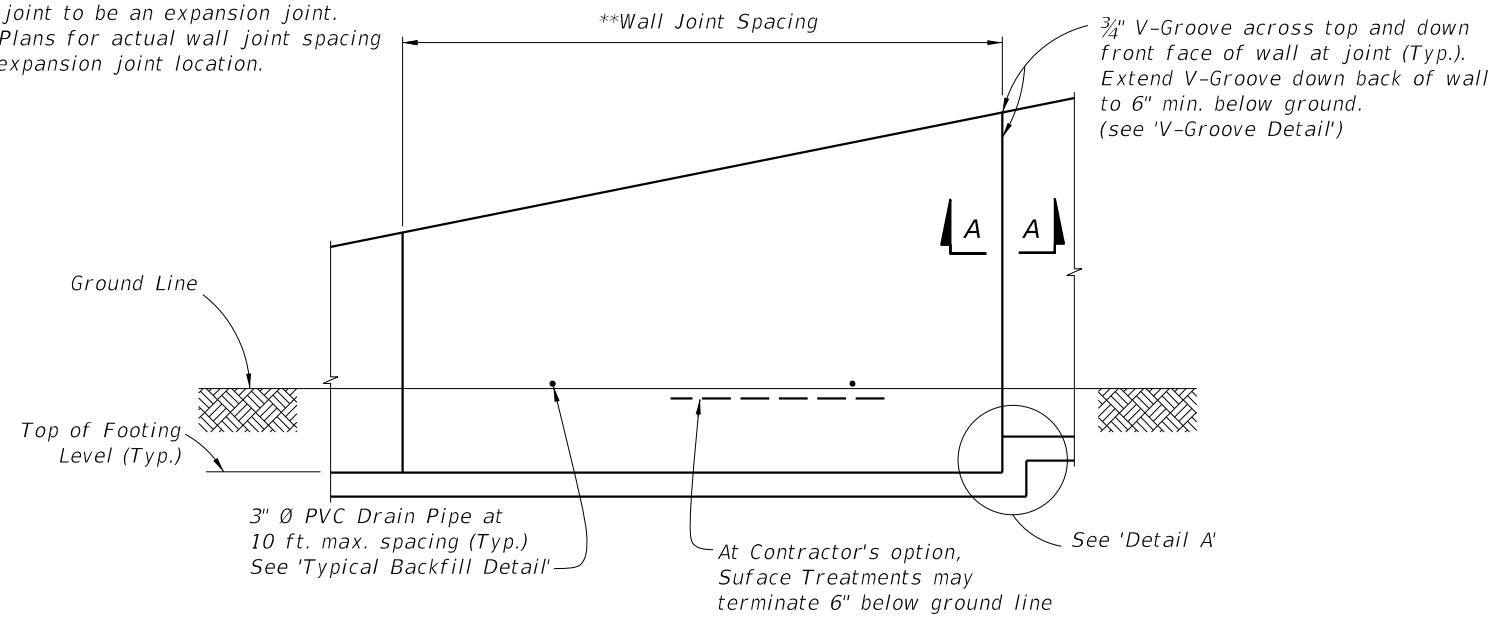
\* Shear Key is required only when specified in the Plans.



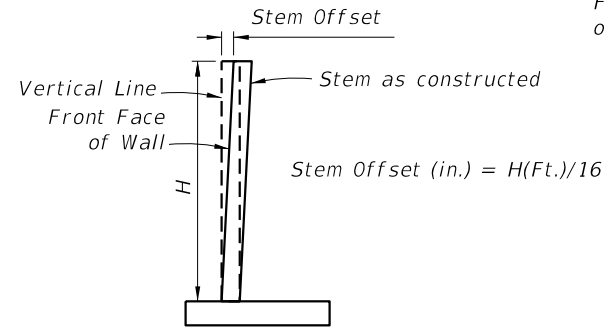
12/17/2015 12:51:36 PM

LAST REVISION 07/01/14	DESCRIPTION:
---------------------------	--------------

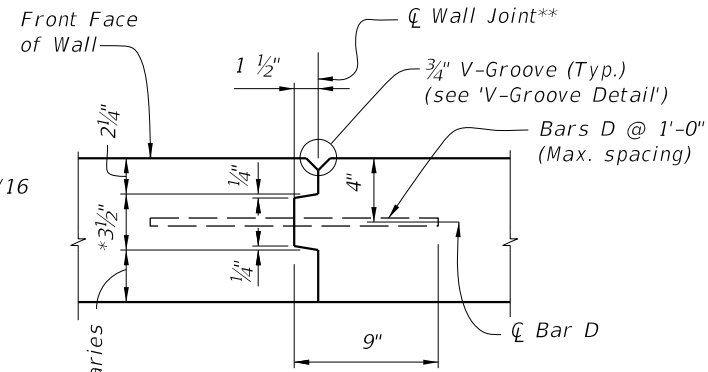
\*\*Wall joint spacing 25 ft. maximum and 5' minimum. At minimum, every fourth wall joint to be an expansion joint. See Plans for actual wall joint spacing and expansion joint location.



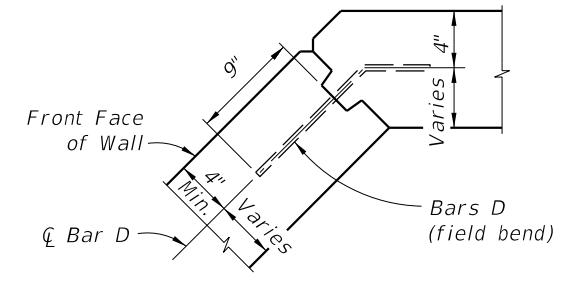
**FRONT ELEVATION**



**STEM OFFSET VALUES**  
(for H < 20 Ft.)



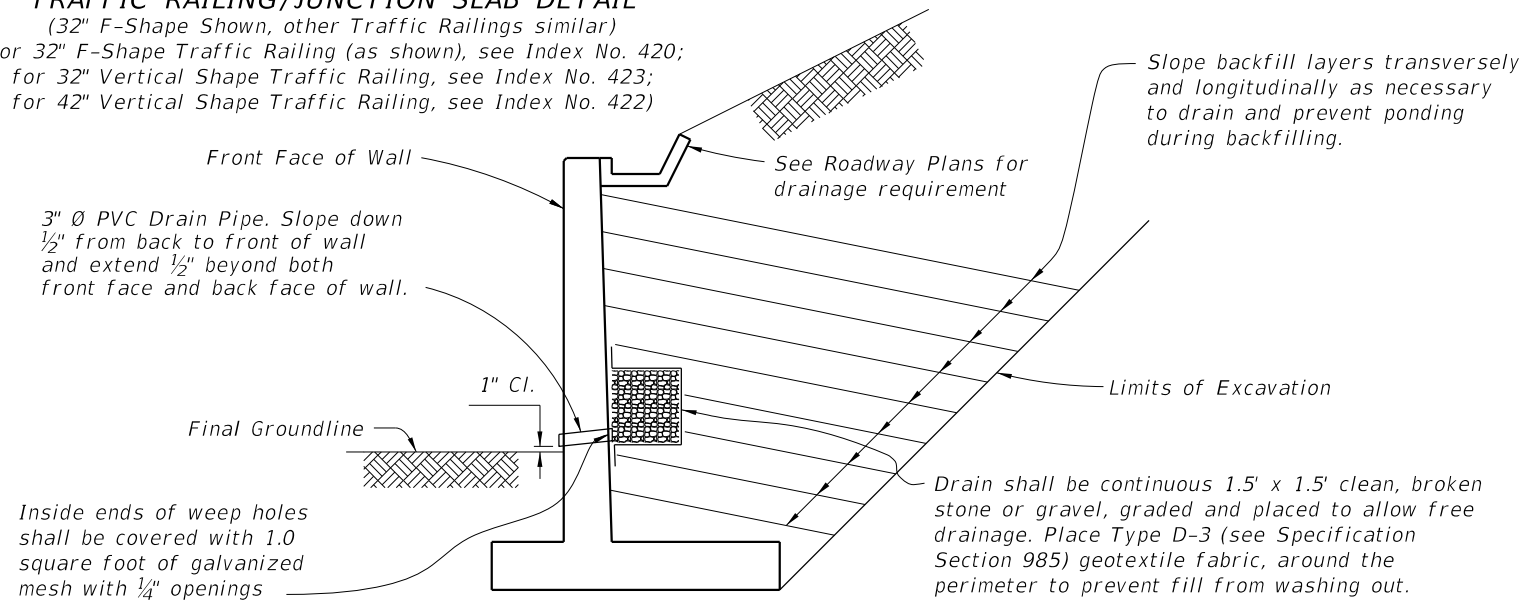
**SECTION A-A WALL JOINT DETAIL**



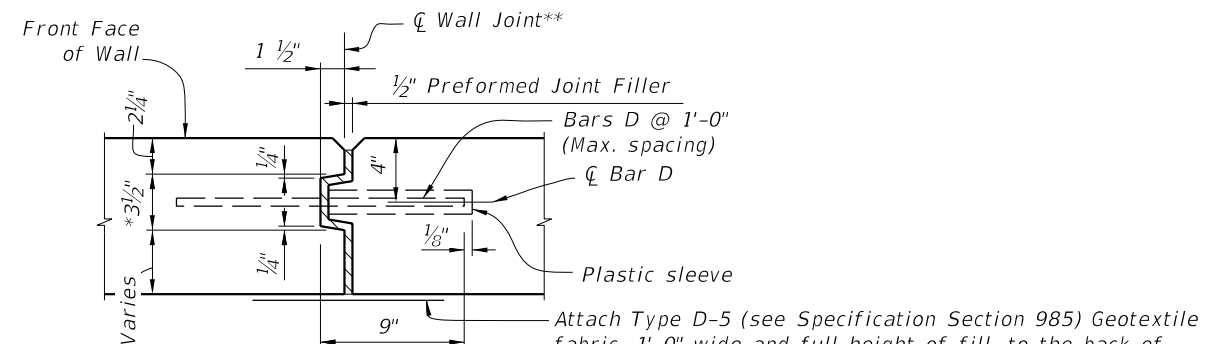
**TYPICAL CORNER JOINT DETAIL**

**TRAFFIC RAILING/JUNCTION SLAB DETAIL**

(32" F-Shape Shown, other Traffic Railings similar)  
(for 32" F-Shape Traffic Railing (as shown), see Index No. 420;  
for 32" Vertical Shape Traffic Railing, see Index No. 423;  
for 42" Vertical Shape Traffic Railing, see Index No. 422)



**TYPICAL BACKFILL DETAIL**



**SECTION A-A EXPANSION JOINT DETAIL**

\* Key to stop at top of footing and 6" from top of wall. Joint across footing and top of wall to be a straight line.

\*\* Stay-In-Place Plastic Preformed Bond Beakers are permitted to form joints.

12/17/2015 12:51:37 PM

LAST REVISION 07/01/15	REVISION	DESCRIPTION:	<b>FY 2016-17 DESIGN STANDARDS</b>	<b>C-I-P CANTILEVER RETAINING WALL</b>	INDEX NO. <b>6010</b>	SHEET NO. <b>2 of 2</b>
---------------------------	----------	--------------	--	--	--------------------------	----------------------------