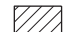




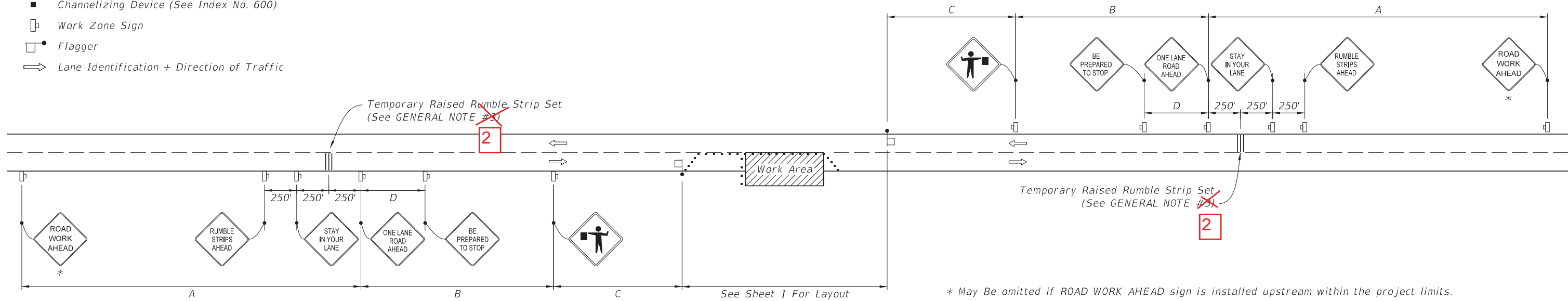


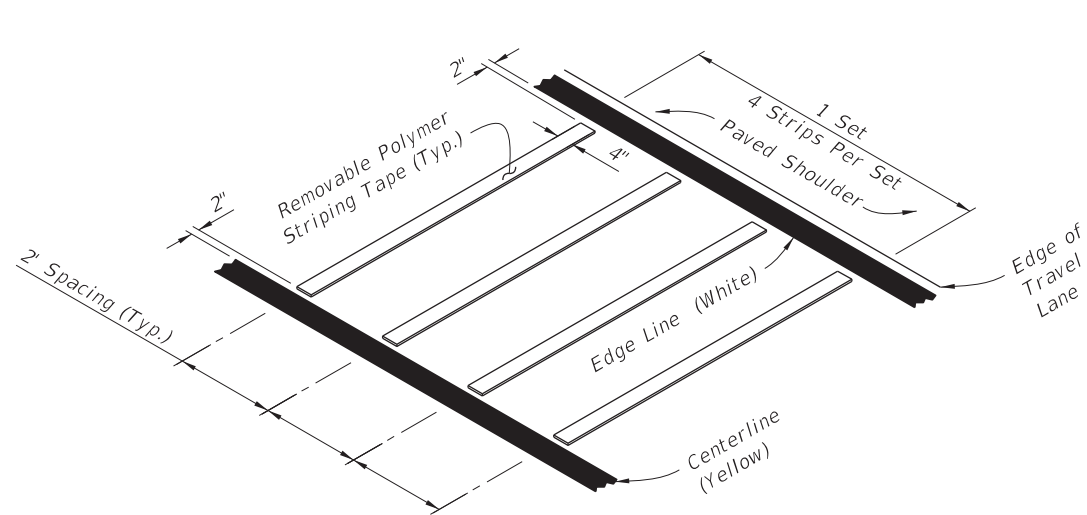
**SYMBOLS:**

-  Work Area
-  Channelizing Device (See Index No. 600)
-  Work Zone Sign
-  Flagger
-  Lane Identification + Direction of Traffic



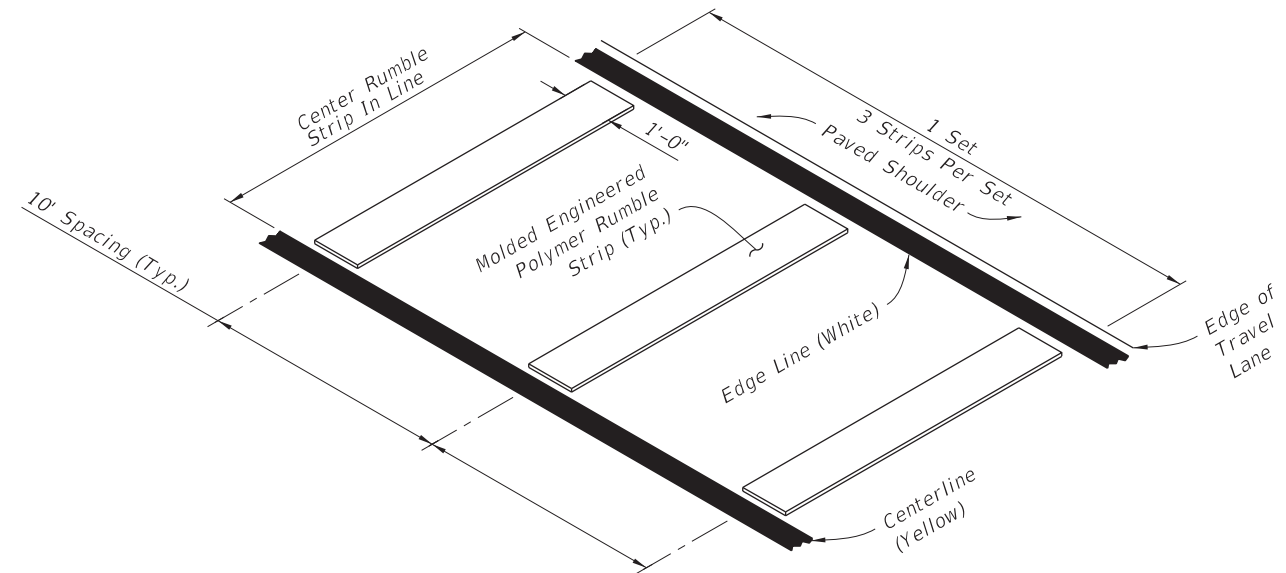
**WITH TEMPORARY RAISED RUMBLE STRIPS**  
(When Required See GENERAL NOTE #3)

2



REMOVABLE POLYMER STRIPING TAPE

RUMBLE STRIP SET  
OPTION - 1




MOLDED ENGINEERED POLYMER SET

RUMBLE STRIP SET  
OPTION - 2

**TEMPORARY RAISED RUMBLE STRIPS**

12/3/2015 9:03:11 AM

LAST REVISION 01/01/16	REVISION	DESCRIPTION:	 <b>FY 2016-17 DESIGN STANDARDS</b>	<b>TWO-LANE, TWO-WAY, WORK WITHIN THE TRAVEL WAY</b>	INDEX NO. 603	SHEET NO. 2 of 3
---------------------------	----------	--------------	---	--	------------------	---------------------