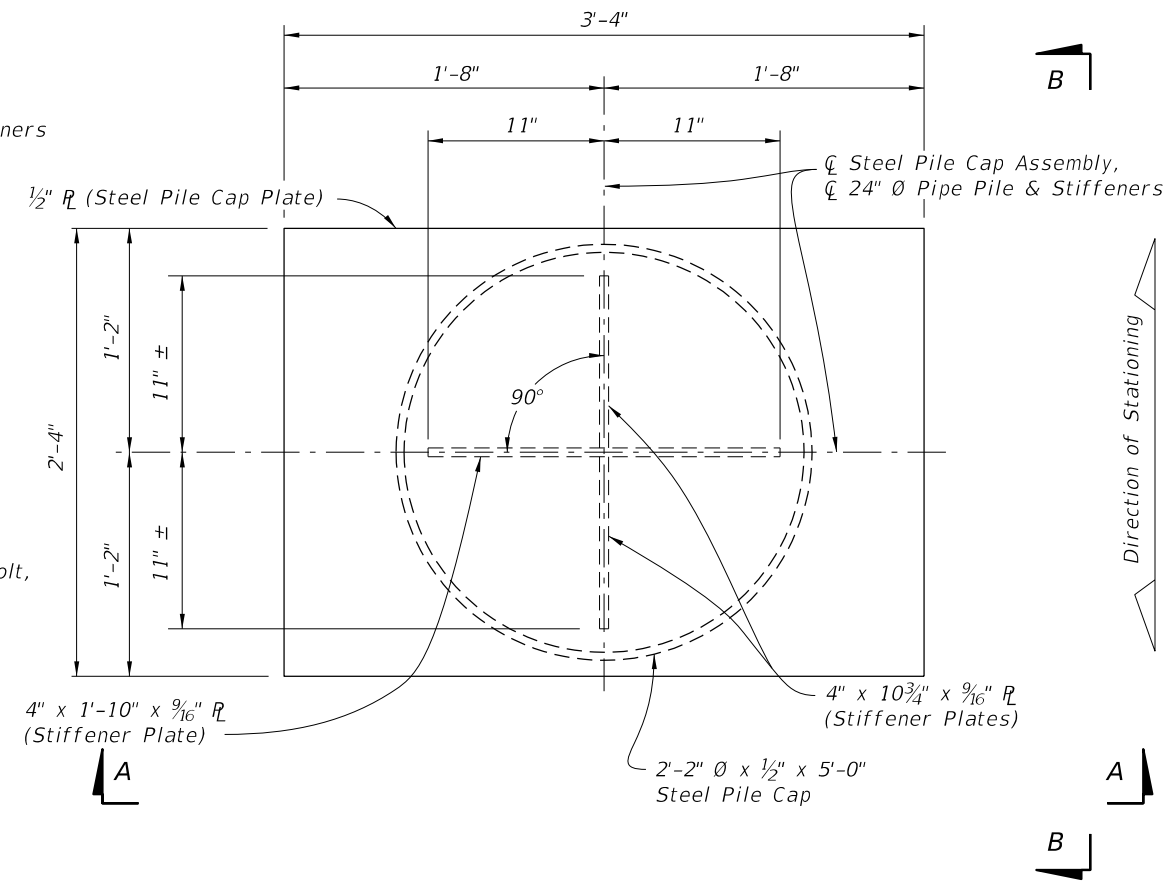
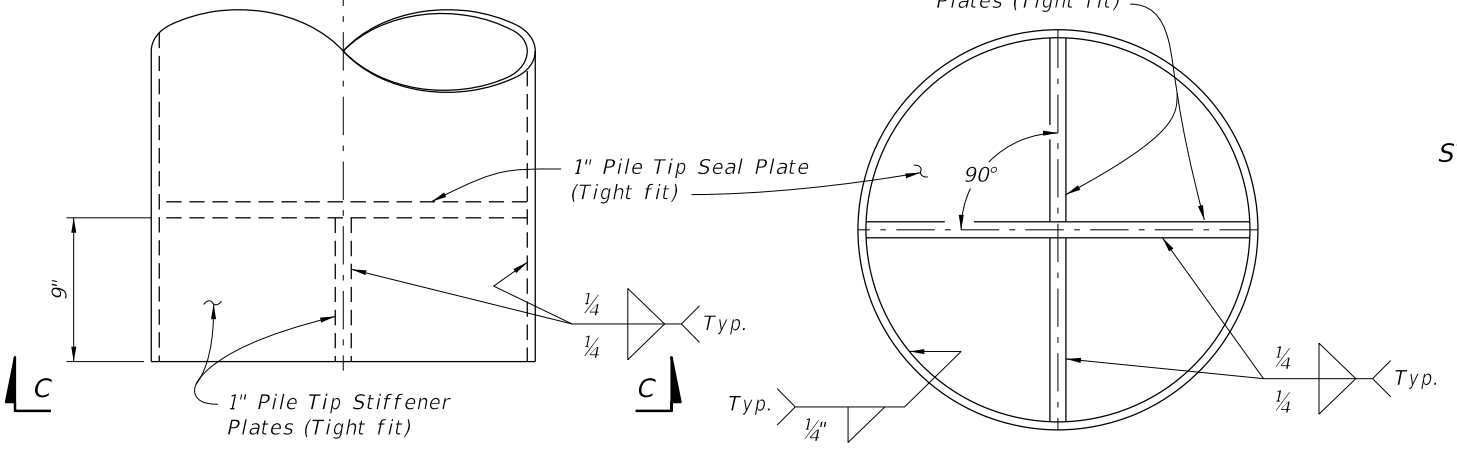


PARTIAL VIEW A-A

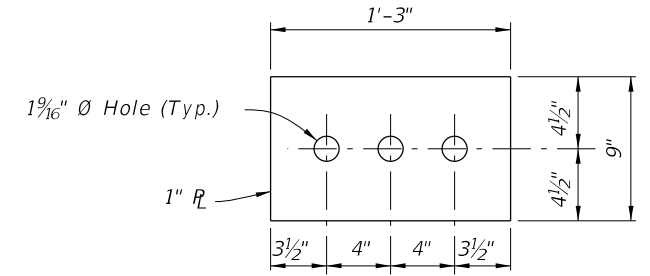


PLAN VIEW STEEL PILE CAP ASSEMBLY
(Bearing Plates and Bearing Keeper Bars not show for clarity)



VIEW B-B

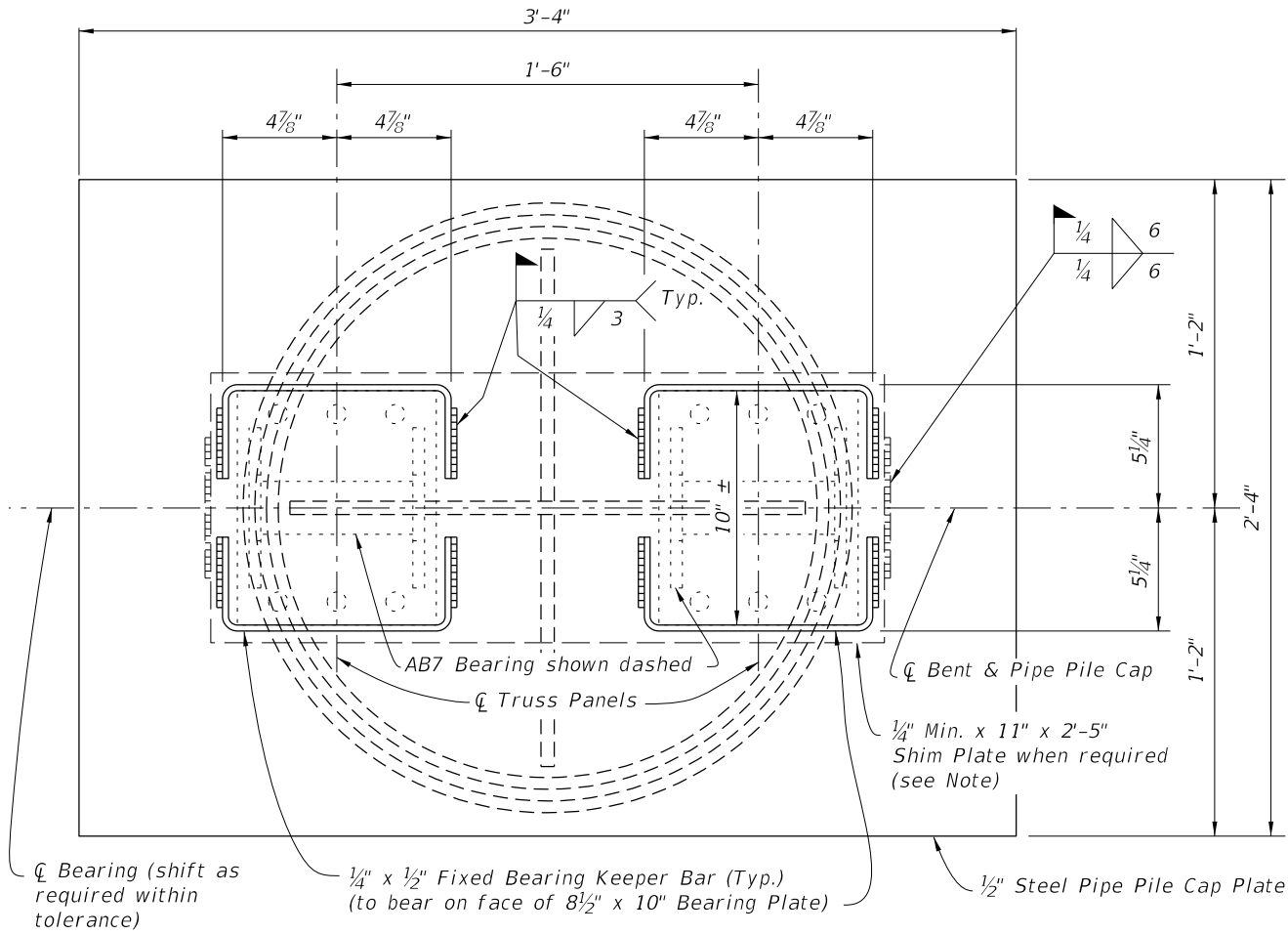
VIEW C-C
PILE TIP DETAIL



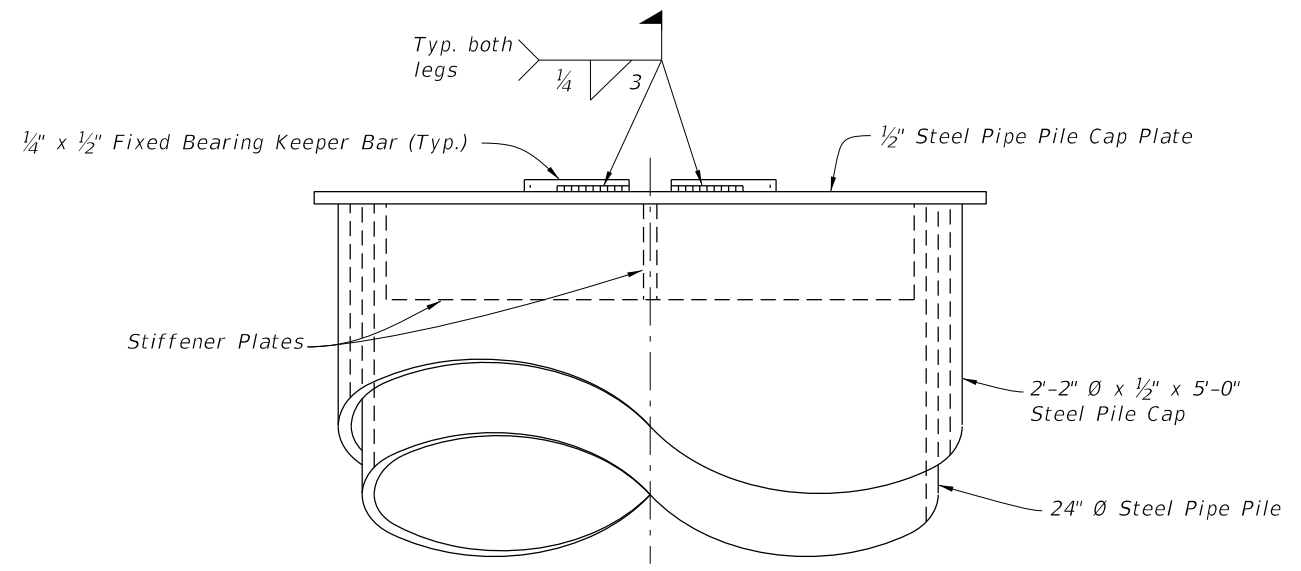
STRUT CONNECTOR PLATE DETAIL

6/24/2015 7:52:46 AM

LAST REVISION 07/01/15	REVISION	DESCRIPTION:	 2016 DESIGN STANDARDS	TEMPORARY DETOUR BRIDGE DETAILS STEEL PIPE PILE FOUNDATIONS	INDEX NO. 21630	SHEET NO. 1 of 3
---------------------------	----------	--------------	-------------------------------------	--	---------------------------	----------------------------

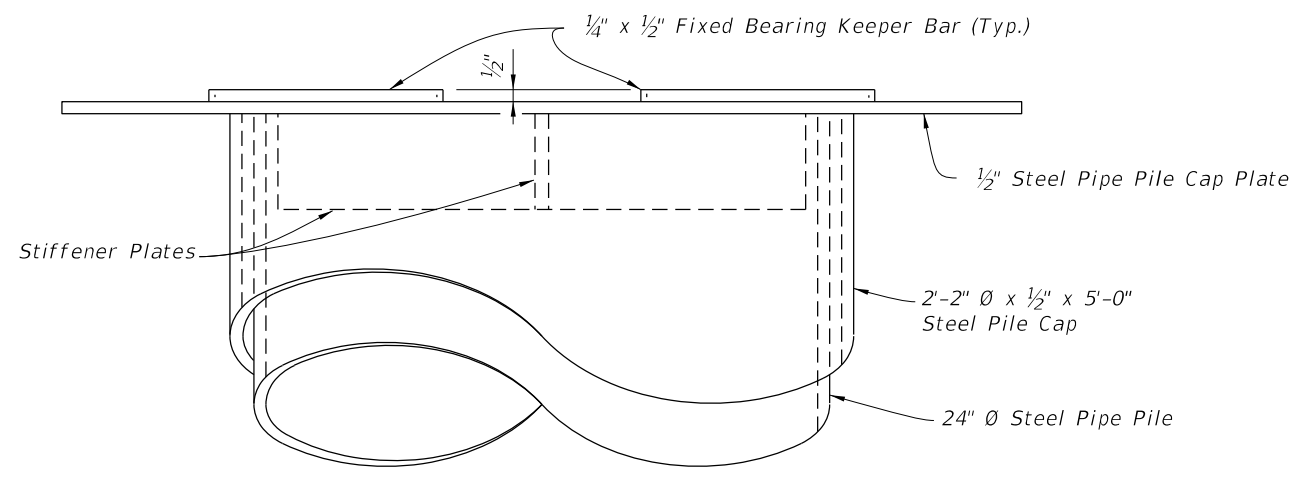


PARTIAL PLAN VIEW

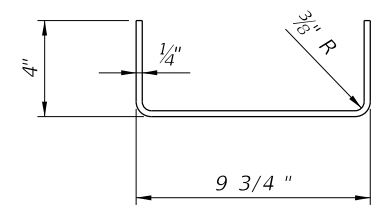


END VIEW

Note:
Use Shim Plates as required to provide equal bearing seat elevations across the bent. Vary thickness of Shim Plate across the pile cap plate to provide a level bearing area in the transverse direction.



PARTIAL ELEVATION VIEW

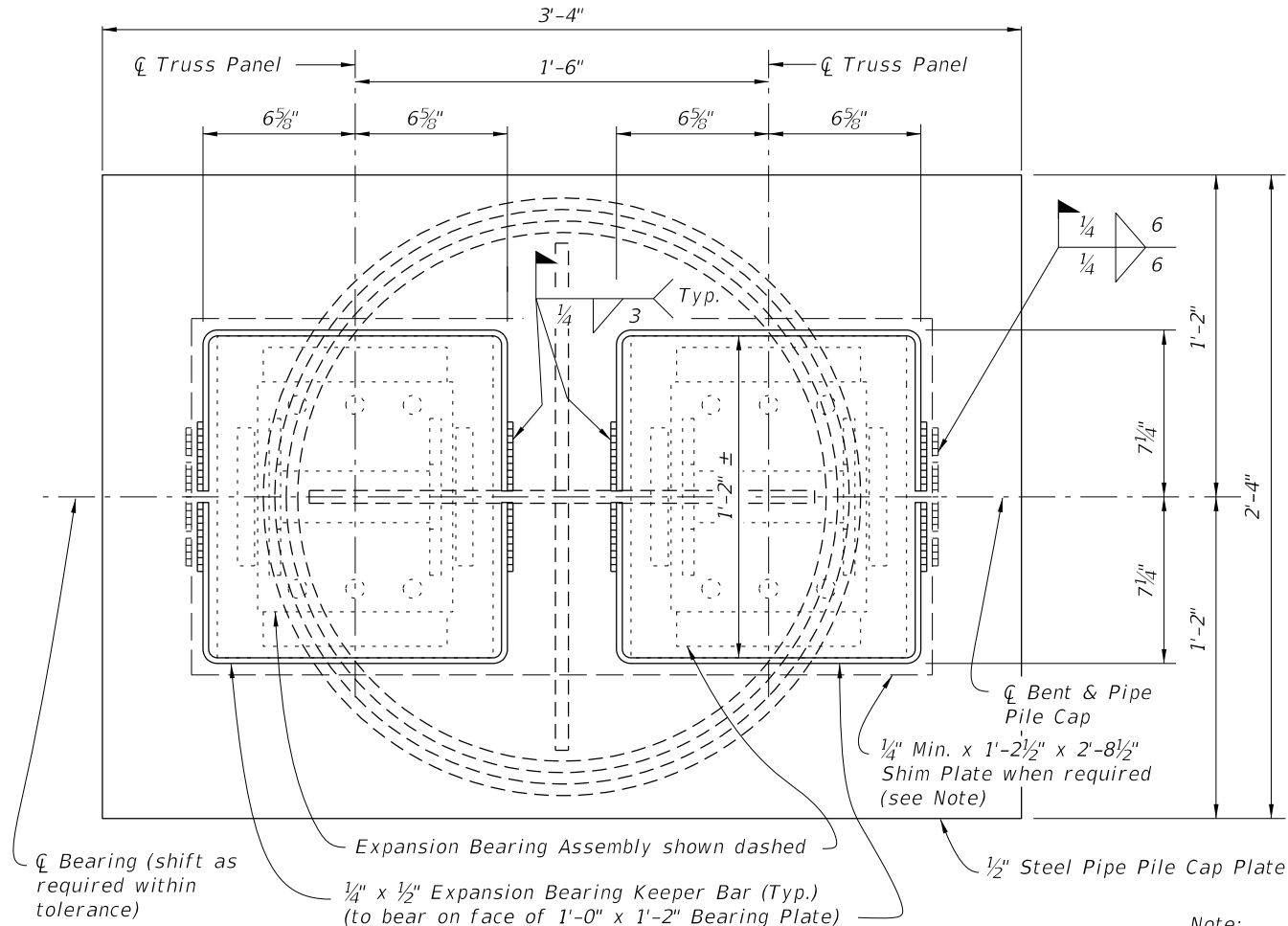


FIXED BEARING KEEPER BAR DETAIL

FIXED BEARING DETAILS

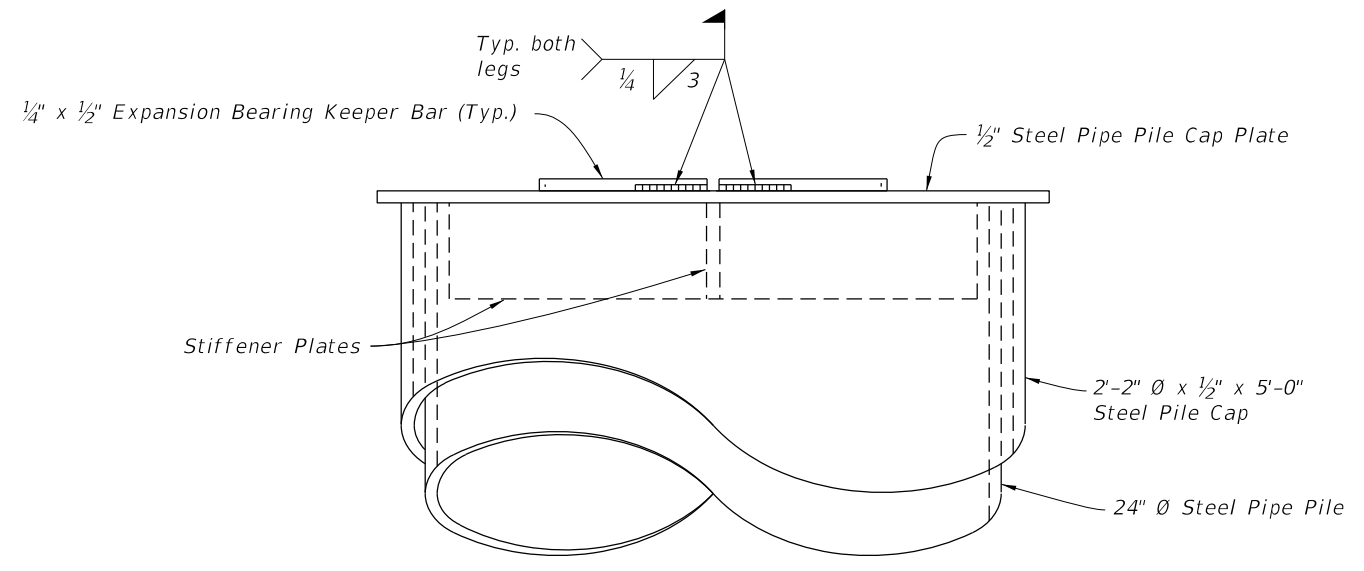
6/24/2015 7:52:47 AM

LAST REVISION 07/01/06	DESCRIPTION:	 2016 DESIGN STANDARDS	TEMPORARY DETOUR BRIDGE DETAILS STEEL PIPE PILE FOUNDATIONS	INDEX NO. 21630	SHEET NO. 2 of 3
---------------------------	--------------	--	--	---------------------------	----------------------------

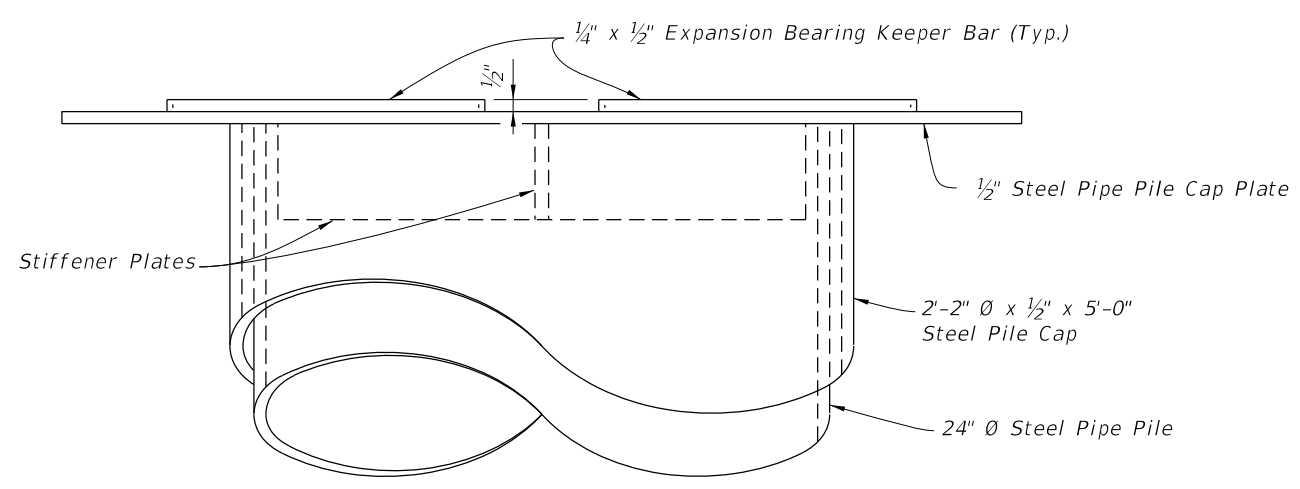


PARTIAL PLAN VIEW

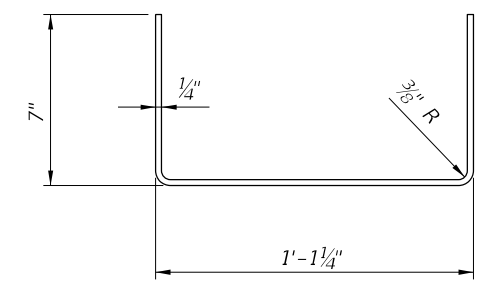
Note:
Use Shim Plates as required to provide equal bearing seat elevations across the bent. Vary thickness of Shim Plate across the pile cap plate to provide a level bearing area in the transverse direction.



END VIEW



PARTIAL ELEVATION VIEW



EXPANSION BEARING KEEPER BAR DETAIL

ABUTMENT AND INTERMEDIATE EXPANSION BEARING DETAILS

6/24/2015 7:52:47 AM

LAST REVISION 07/01/06	DESCRIPTION:	 2016 DESIGN STANDARDS	TEMPORARY DETOUR BRIDGE DETAILS STEEL PIPE PILE FOUNDATIONS	INDEX NO. 21630	SHEET NO. 3 of 3
---------------------------	--------------	------------------------------	--	--------------------	---------------------