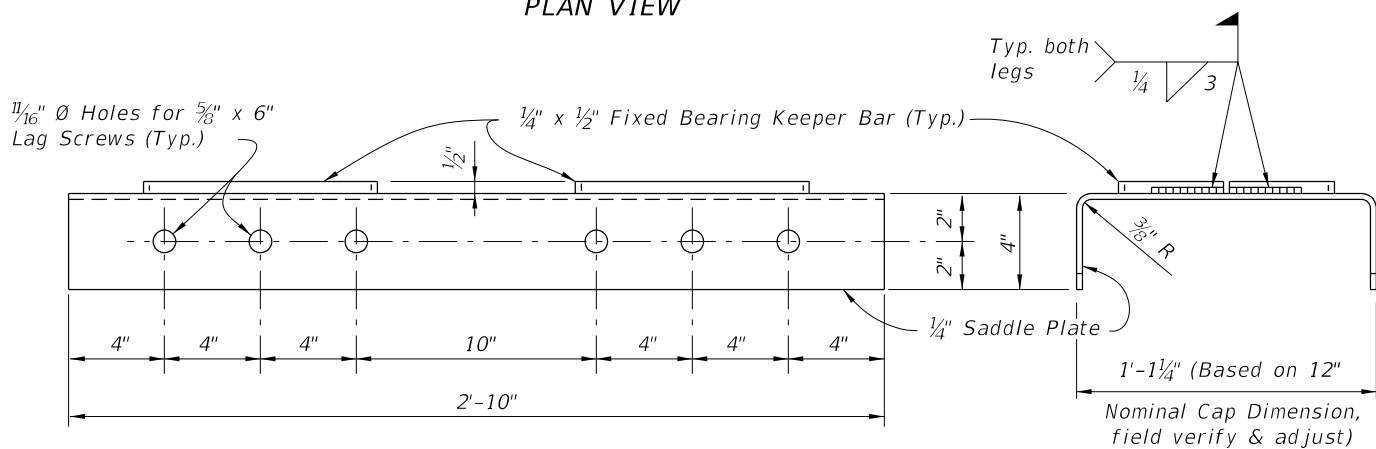
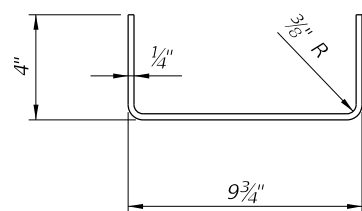


PLAN VIEW



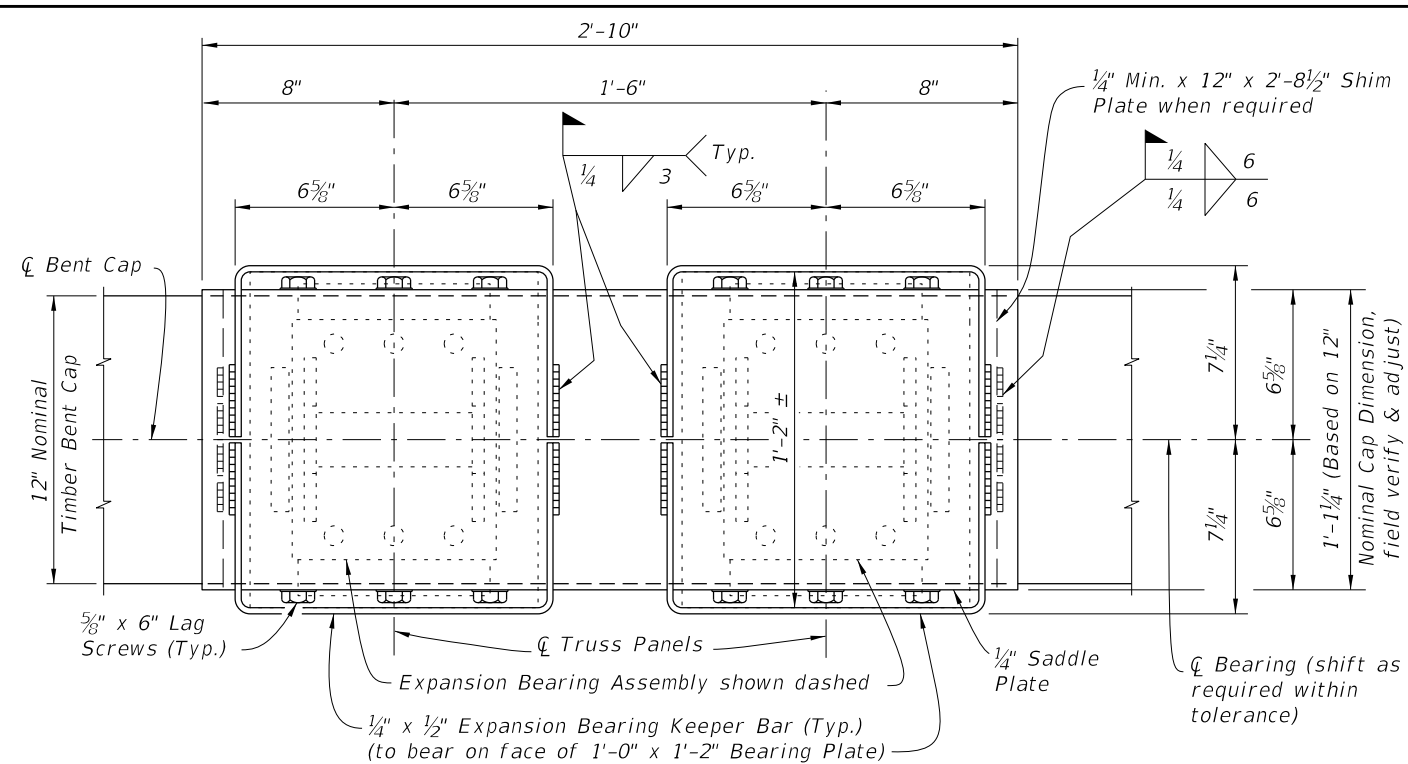
ELEVATION VIEW OF SADDLE PLATE

END VIEW

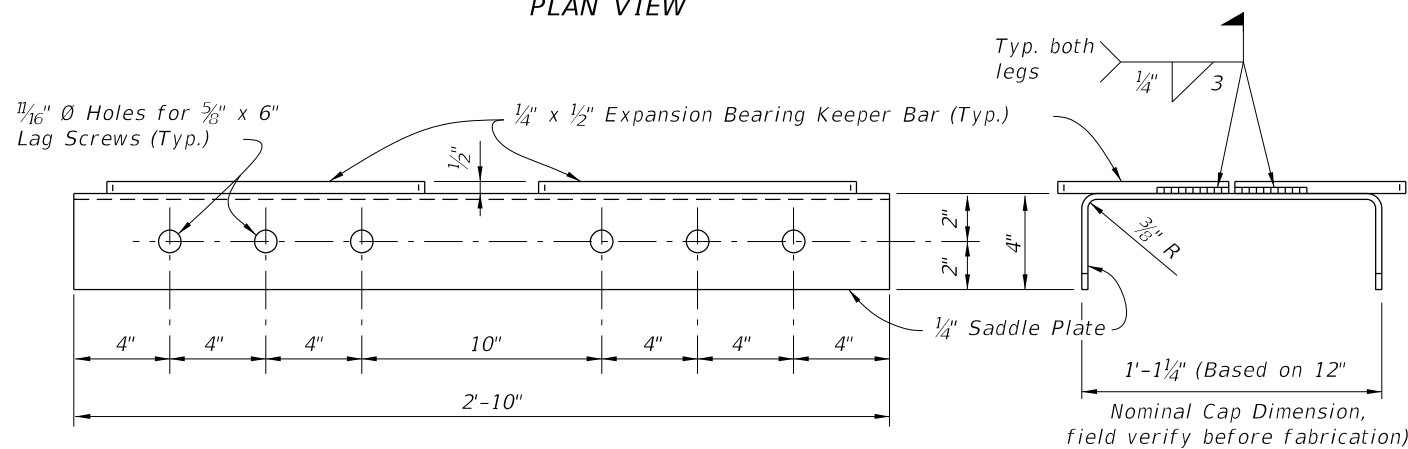


FIXED BEARING
KEEPER BAR DETAIL

FIXED BEARING DETAILS

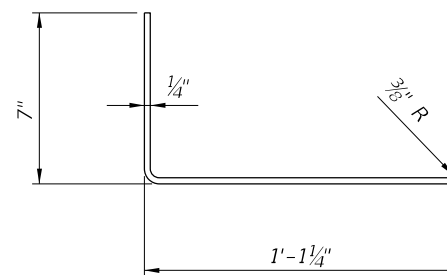


PLAN VIEW



ELEVATION VIEW OF SADDLE PLATE

END VIEW

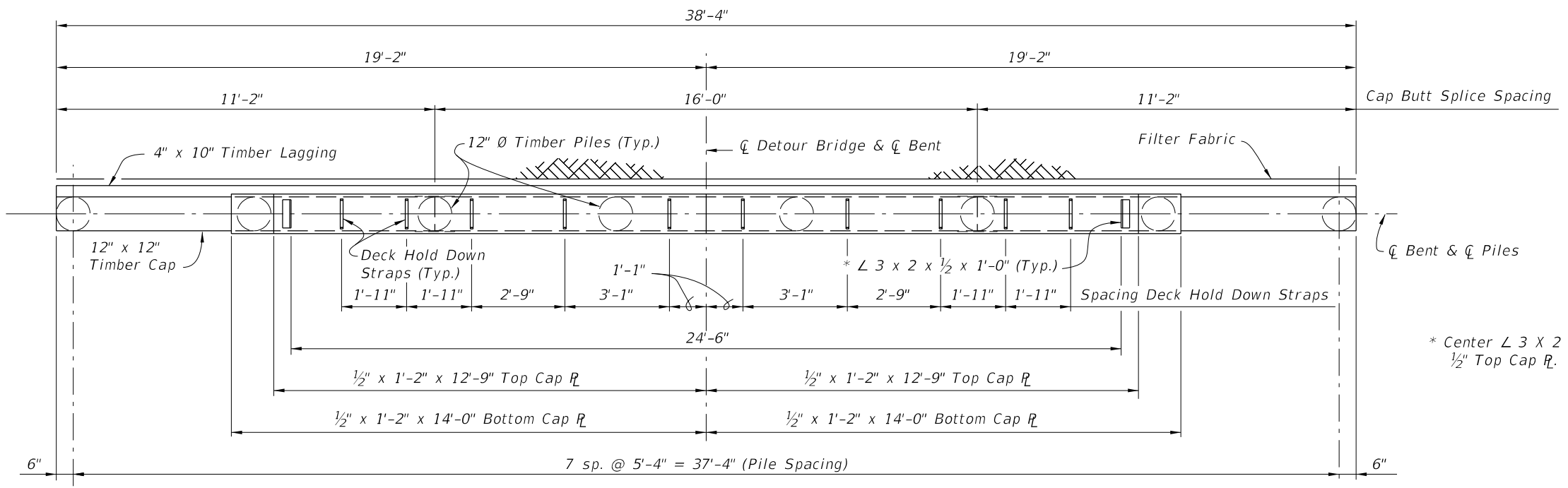


EXPANSION BEARING
KEEPER BAR DETAIL

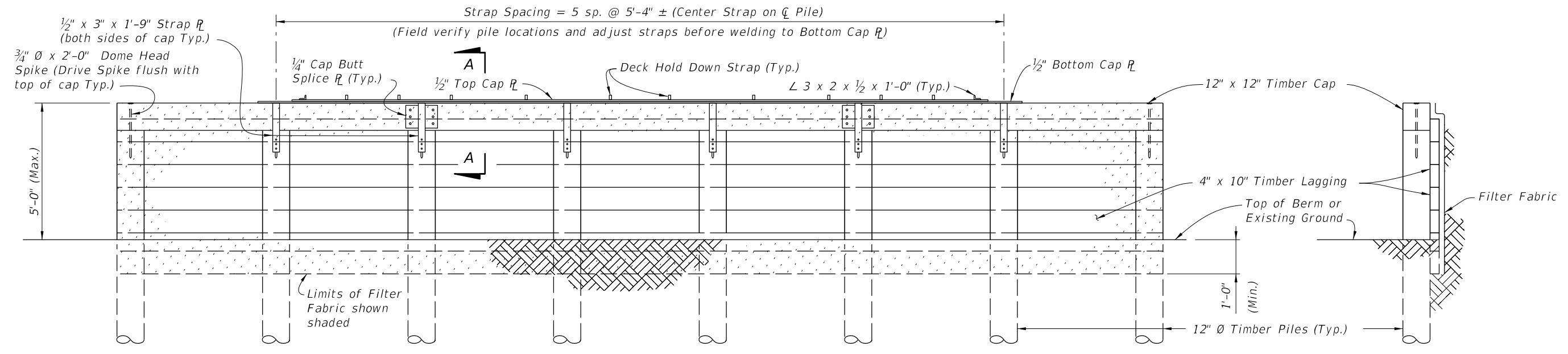
EXPANSION BEARING DETAILS

6/24/2015 7:52:05 AM

LAST REVISION	DESCRIPTION:
07/01/06	



PLAN VIEW



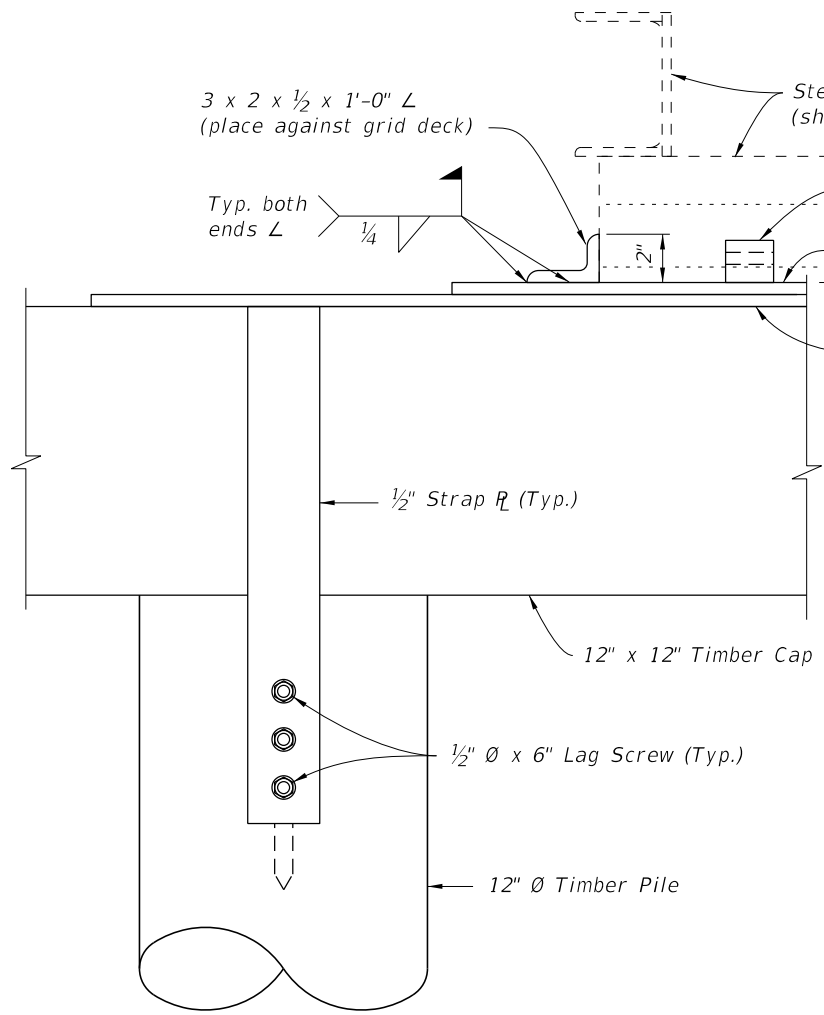
ELEVATION VIEW

END VIEW

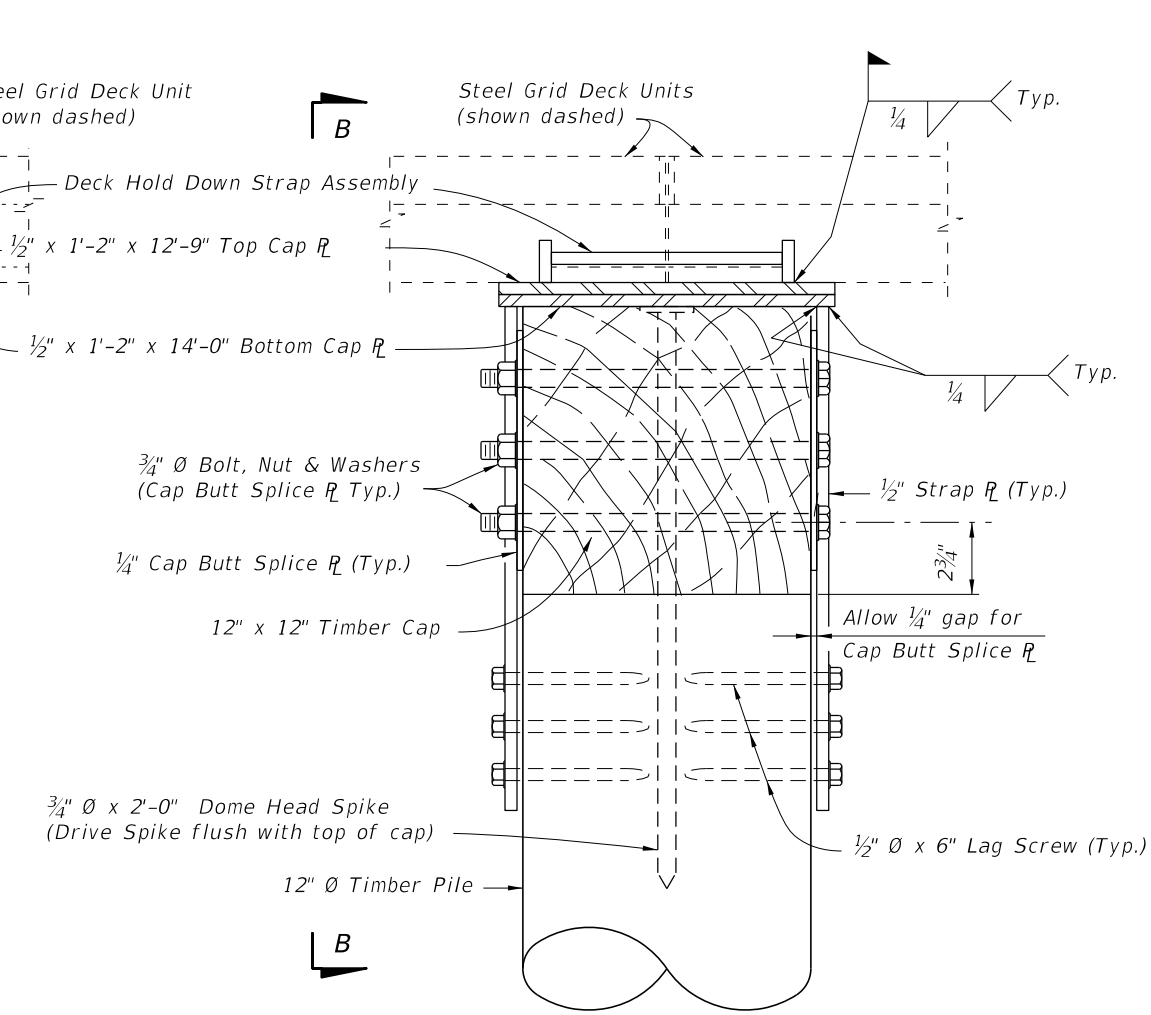
BACKWALL BENT DETAILS

6/24/2015 7:52:05 AM

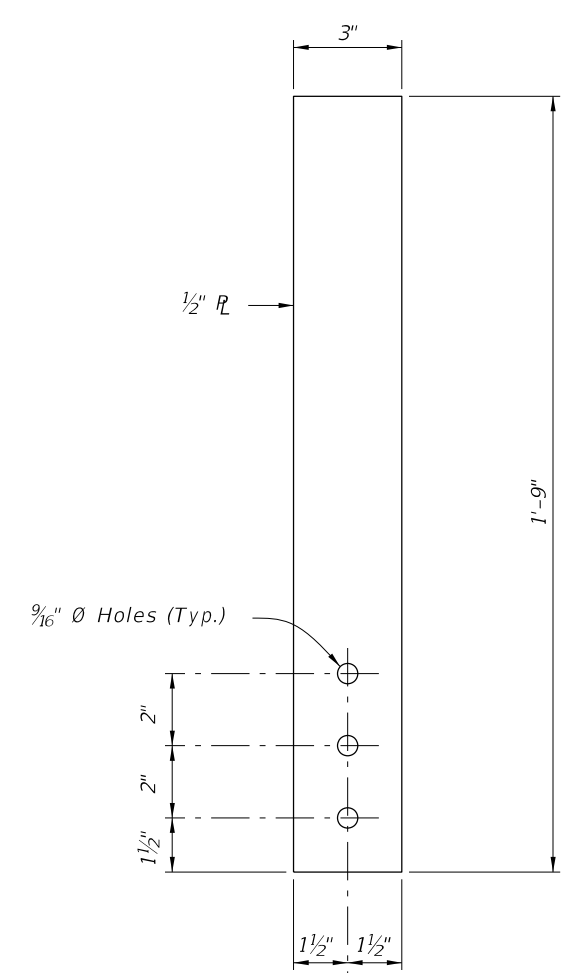
LAST REVISION	07/01/06	DESCRIPTION:	2016 DESIGN STANDARDS	TEMPORARY DETOUR BRIDGE DETAILS TIMBER PILE FOUNDATIONS	INDEX NO. 21610	SHEET NO. 2 of 3
---------------	----------	--------------	---------------------------------	--	---------------------------	----------------------------



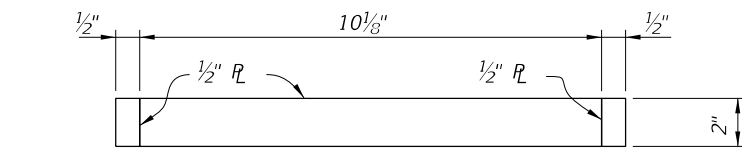
VIEW B-B
 (SHOWING END OF CAP PLATES)



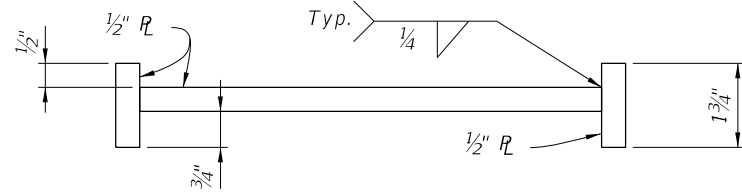
SECTION A-A



STRAP PLATE DETAIL

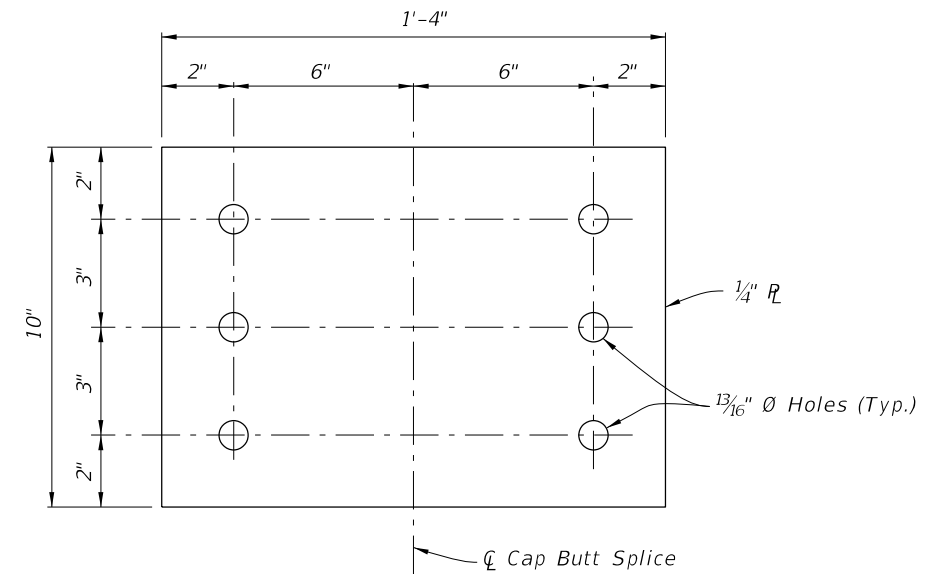


PLAN VIEW



ELEVATION VIEW

HOLD DOWN STRAP ASSEMBLY DETAIL



CAP BUTT SPLICE PLATE DETAIL

BACKWALL BENT DETAILS

6/24/2015 7:52:06 AM

LAST REVISION 07/01/06	DESCRIPTION:
---------------------------	--------------