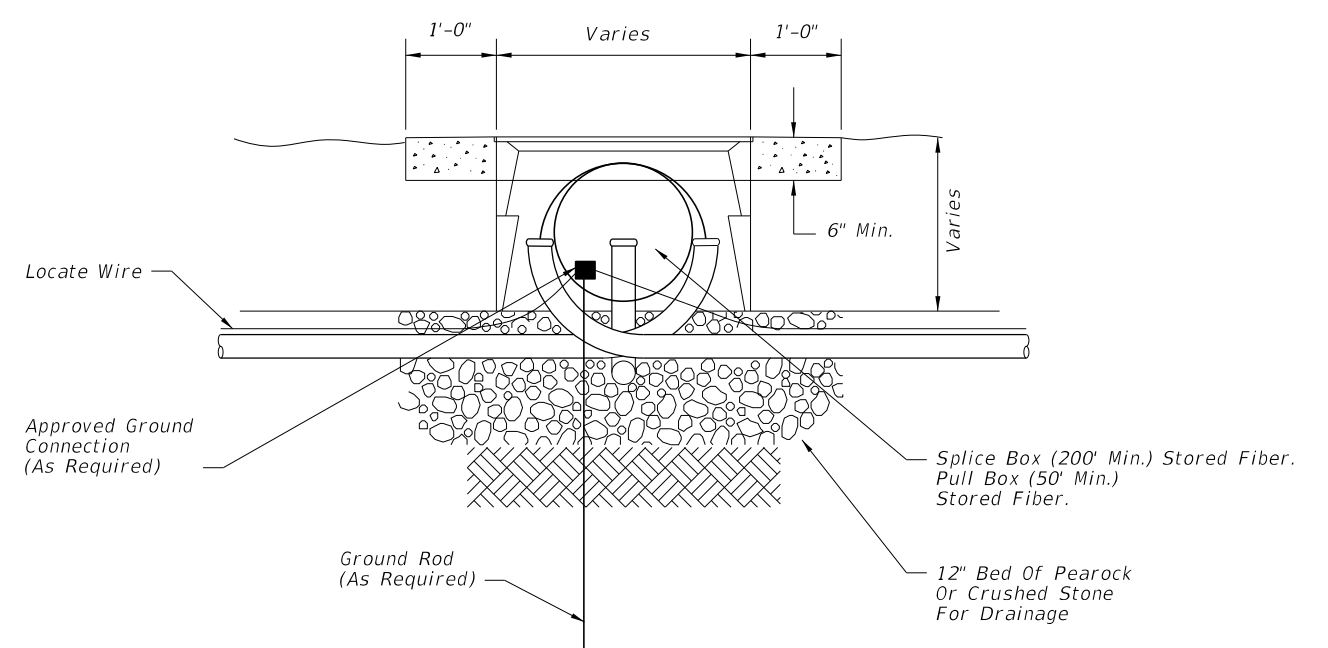
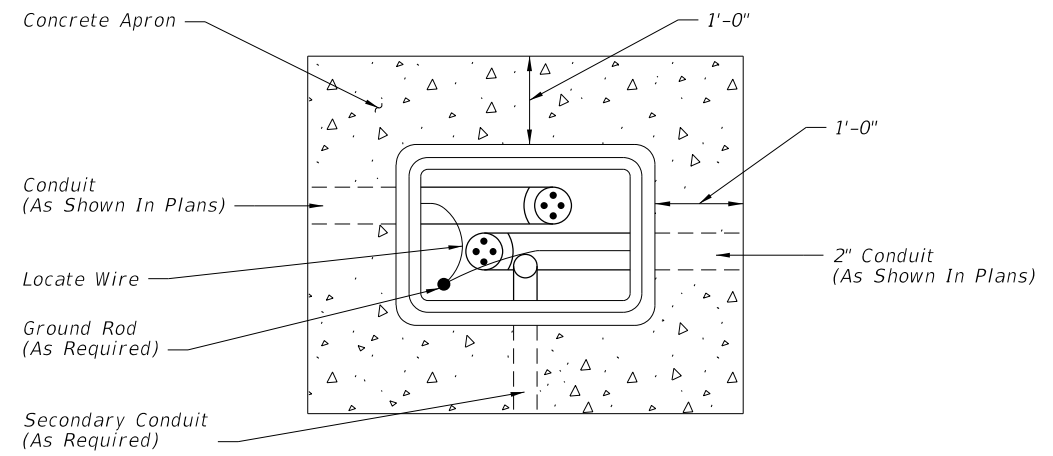


PULL BOX




Rectangular boxes are depicted. Round fiber optic splice boxes and lids are allowed.

FIBER OPTIC BOX

1. Boxes shall not be installed in roadways or driveways.
2. Boxes shall be on the Approved Product List (APL).
3. Boxes shall be installed flush with the finished grade surface.
4. Fiber Optic splice boxes shall be provided with cable hanger racks designed to support cables and splice enclosures. Cost of racks to be included in cost of splice box.
5. Fiber optic boxes shall contain only Fiber Optic Cable, Conduit, and Locate Wire.

6. Conduit center line shall be aligned to top edge of box to facilitate cable pulling.
7. All boxes shall have 1'-0" wide (min) concrete apron. Concrete for concrete aprons shall be Class NS with a minimum strength at 28 days of $f'c=2.5$ Ksi. Aprons shall be sloped away from box. Cost of apron to be included in the cost of each box.
8. Prevent the ingress of Water, Dirt, Sand, and other foreign materials into the conduit prior to, during and after construction using a foam-sealing material, rubber plug, or other device designed for this application and approved.

6/10/2015 9:55:55 AM

LAST REVISION 07/01/13	REVISION	DESCRIPTION:	 2016 DESIGN STANDARDS	PULL AND SPLICE BOX	INDEX NO. 17700	SHEET NO. 1 of 1
---------------------------	----------	--------------	---	----------------------------	---------------------------	----------------------------