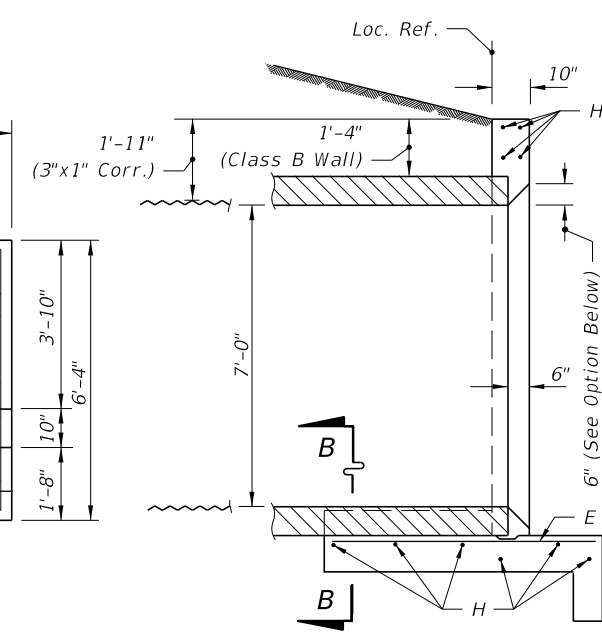
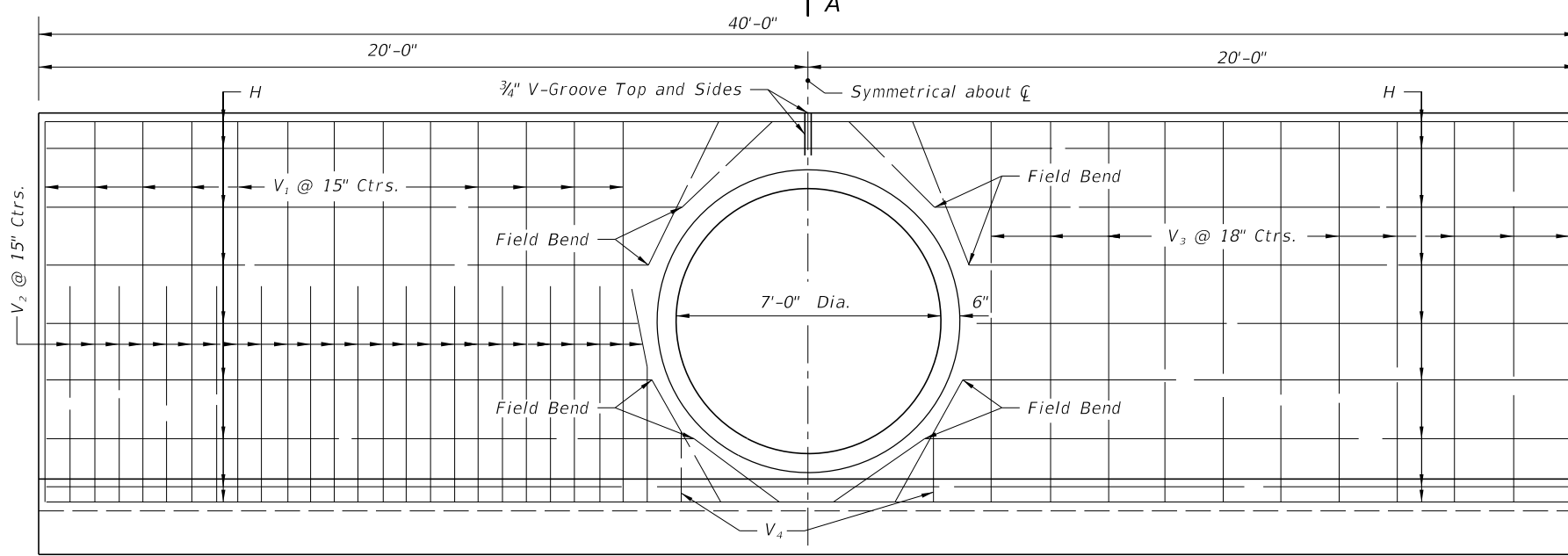


PLAN
(Showing Bars In Footing)



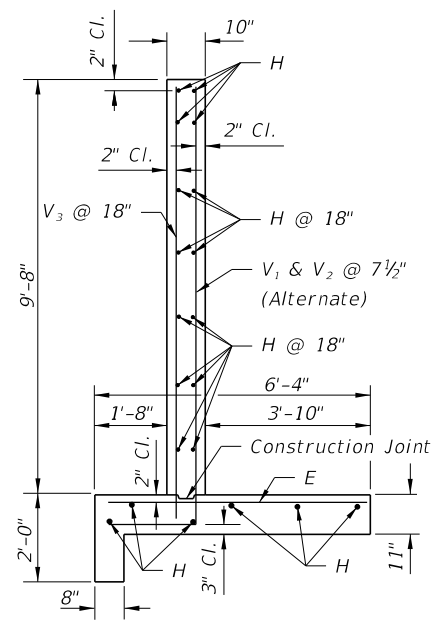
SECTION AA



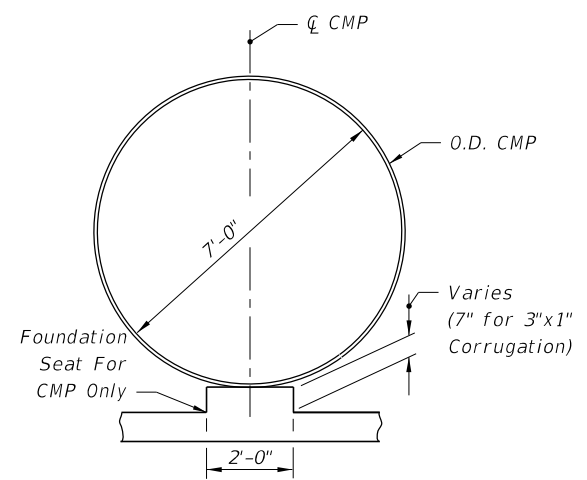
HALF ELEVATION
(Showing Bars In Back Face Of Wall)

Note: Cut and field bend Bars H as shown

HALF ELEVATION
(Showing Bars In Front Face Of Wall)



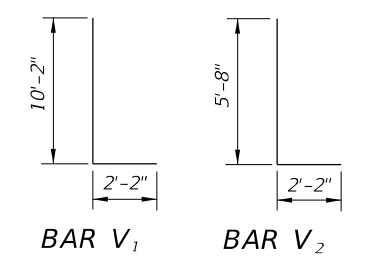
TYPICAL SECTION
THRU ENDWALL



SECTION BB

BILL OF REINFORCING STEEL			
MARK	SIZE	NO. REQD.	LENGTH
E	6	69	6'-0"
H	4	20	39'-8"
V ₁	6	26	12'-4"
V ₂	6	26	7'-10"
V ₃	4	22	10'-2"
V ₄	4	4	2'-0"

BENDING DIAGRAM



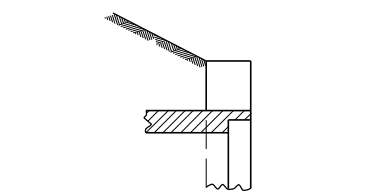
NOTE: All bar dimensions are out to out

ESTIMATED QUANTITIES

ITEM	UNIT	RCP	CMP
Class II Concrete	Cu. Yd.	20.0	20.2
Reinforcing Steel	Lb.	2,095	2,095

GENERAL NOTES

1. Straight concrete endwalls are intended for use outside the clear zone.
2. Endwalls may be cast-in-place or precast construction. Cast-in-place endwalls shall conform to the details on this index, design specifications AASHTO 1989. Precast construction which adheres to this Index, including any additional reinforcement required for handling which shall be determined by the Contractor or supplier, does not require additional approvals. Deviations from this Index, for precast units, shall require the approval of the State Drainage Engineer prior to construction. For precast construction, see Index No. 201 for opening and grouting details.
3. Reinforcing steel shall be either Grade 40 or 60.
4. Concrete shall be Class II, except ASTM C478 (4000 psi) concrete may be substituted for precast items manufactured in plants meeting the requirements of Section 449 of the Specifications.
5. Chamfer: All exposed edges and corners to be chamfered 3/4" unless otherwise shown.
6. That portion of corrugated metal pipe in direct contact with the concrete slab and extending 12" beyond shall have a continuous bituminous coating of 0.004" minimum thickness applied prior to placing of the concrete.
7. Sodding shall be in accordance with Index No. 281 and paid for under the contract unit price for Performance Turf, SY.
8. Basis of payment for either cast-in-place or precast construction shall be the estimated quantities tabulated on the Index. Concrete and reinforcing steel shall be paid for under the contract unit prices for Class II Concrete (Endwalls), CY and Reinforcing Steel (Roadway), LB.



OPTIONAL ENTRANCE
FOR CONCRETE PIPE

6/8/2015 9:39:05 AM

LAST REVISION	DESCRIPTION:
07/01/09	



2016
DESIGN STANDARDS
STRAIGHT CONCRETE ENDWALL
SINGLE 84" PIPE

INDEX NO.	SHEET NO.
255	1 of 1