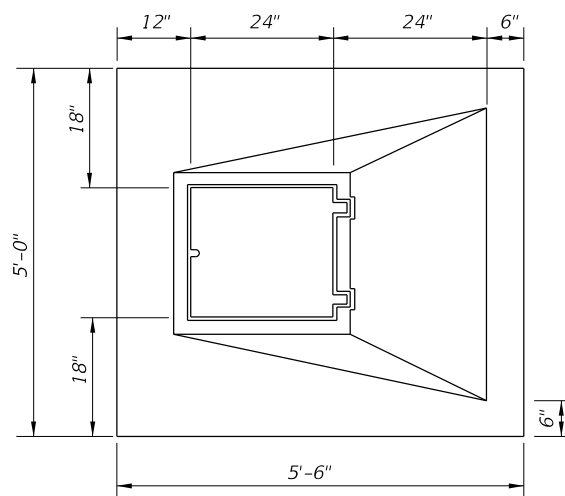
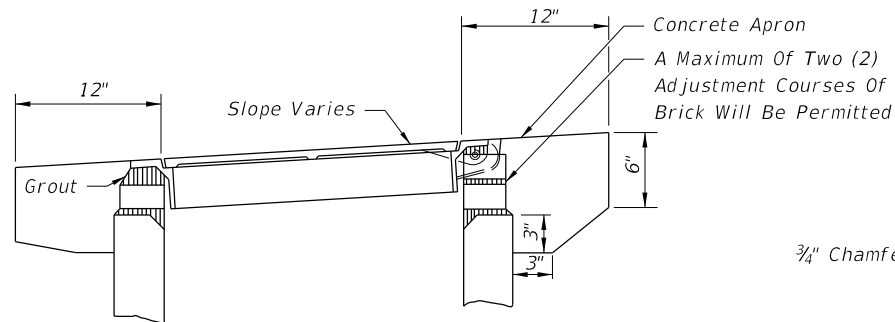


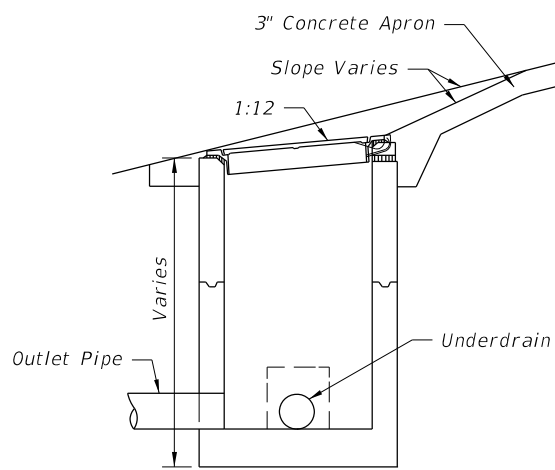
TYPICAL URBAN INSTALLATION



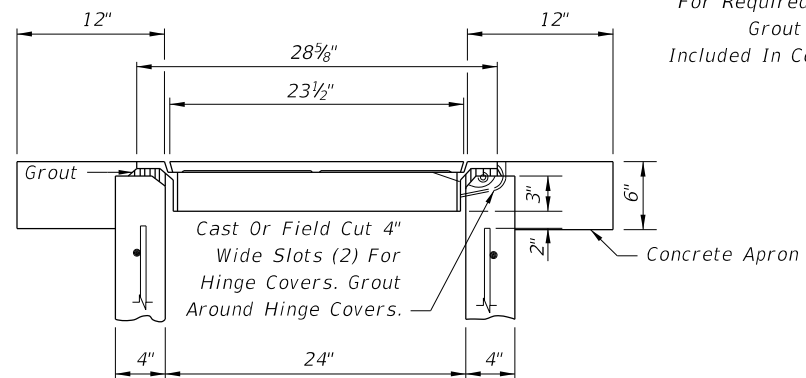
TOP VIEW



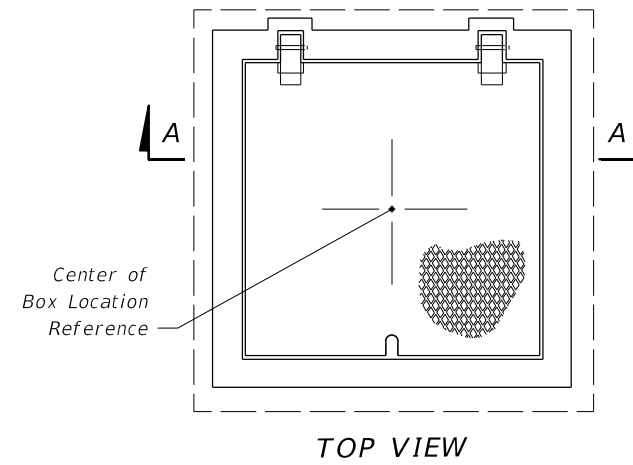
PERMISSIBLE TOP ADJUSTMENT



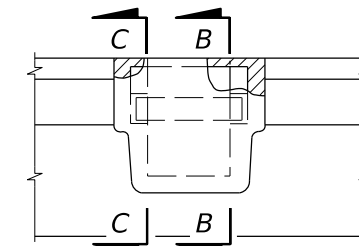
SECTION
TYPICAL INSTALLATION ON SLOPES



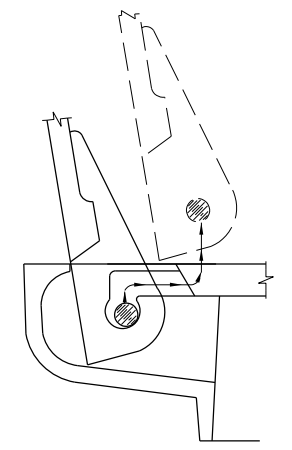
TYPICAL TOP AND APRON



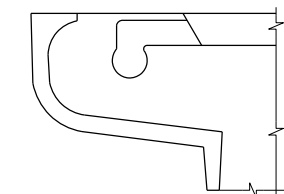
TOP VIEW



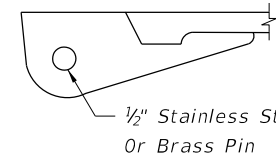
BACK VIEW



COVER REMOVAL

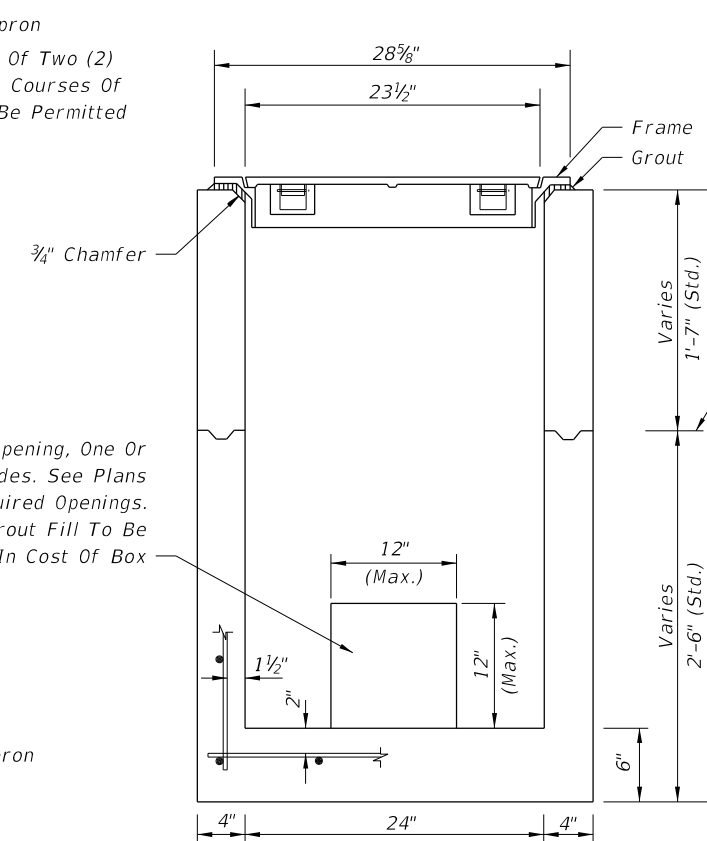


SECTION CC



SECTION BB

HINGE DETAIL



SECTION AA
BOX AND TOP

Typical Opening, One Or More Sides. See Plans For Required Openings. Grout Fill To Be Included In Cost Of Box

GENERAL NOTES

1. Light duty cast iron cover and frame, see Specifications Section 962.
2. Concrete shall be Class I, except ASTM C478 (4000 psi) concrete may be substituted for precast items manufactured in plants meeting the requirements of Section 449 of the Specifications. Box shall be reinforced with No. 3 bars (Grade 60) on 8" centers both ways, sides and bottom.
3. Concrete apron to be included in the contract unit price for Underdrain Inspection Box.
4. All covers shall be furnished with pick holes. Fitted lifts or handles are not permitted.
5. Manhole Type P Alternate A, Index No. 200, with Type I Frame and Cover, Index No. 201, may be used in lieu of the box detailed on this sheet, and is recommended when high ADT increases chance of the repeated vehicle loadings.

6/8/2015 9:36:32 AM

LAST REVISION 07/01/13	DESCRIPTION:
---------------------------	--------------