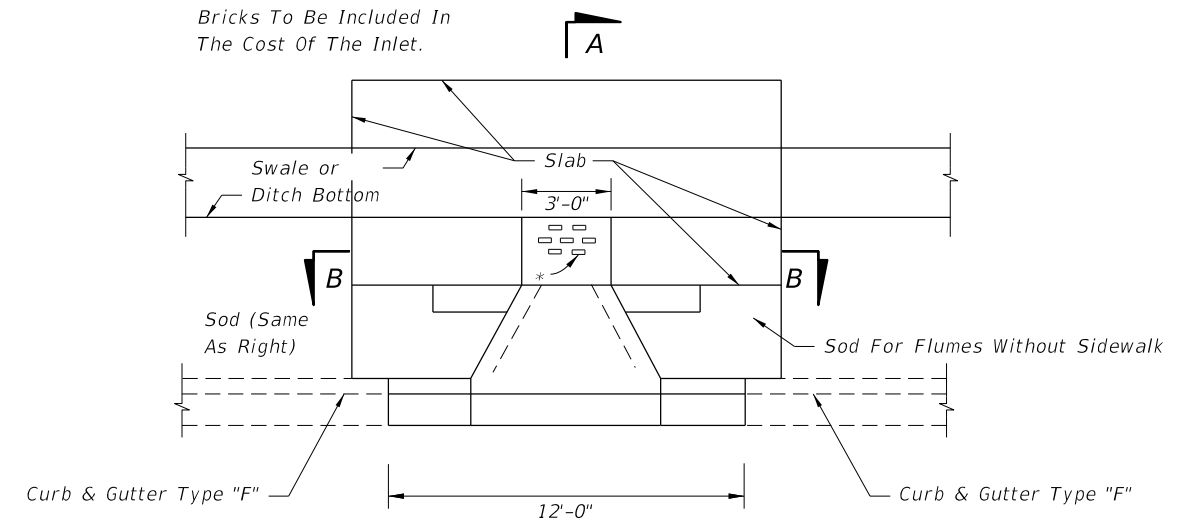
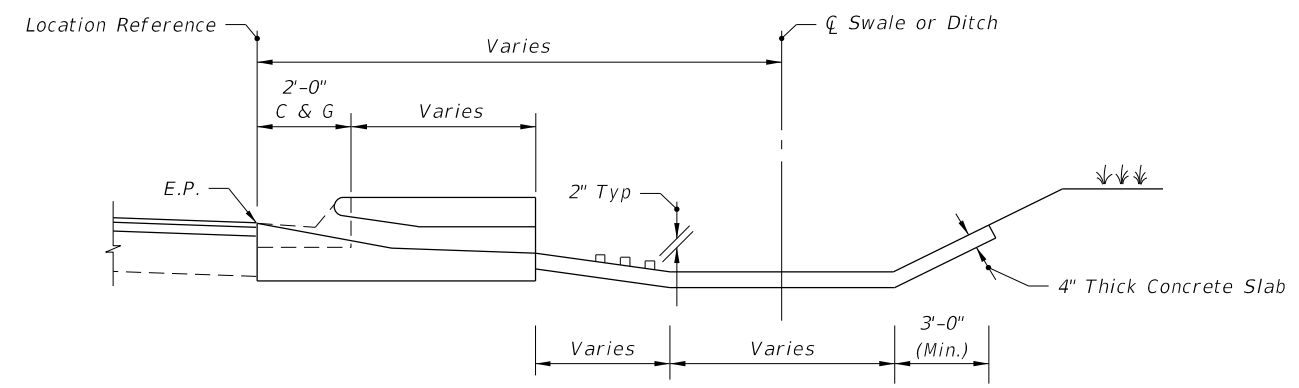


ENDWALL

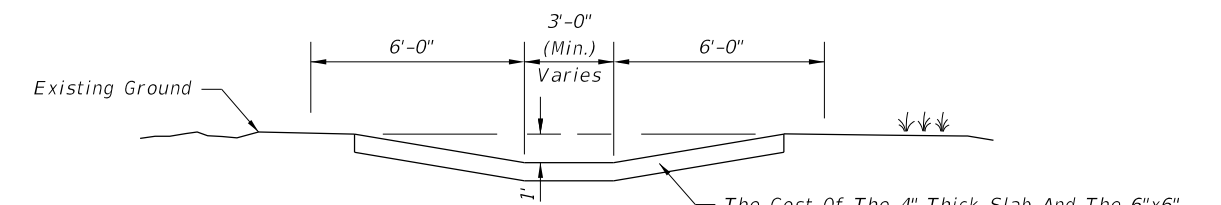
*Bricks to Dissipate Energy
When Called For In Plans.
Bricks To Be Included In
The Cost Of The Inlet.



PLAN

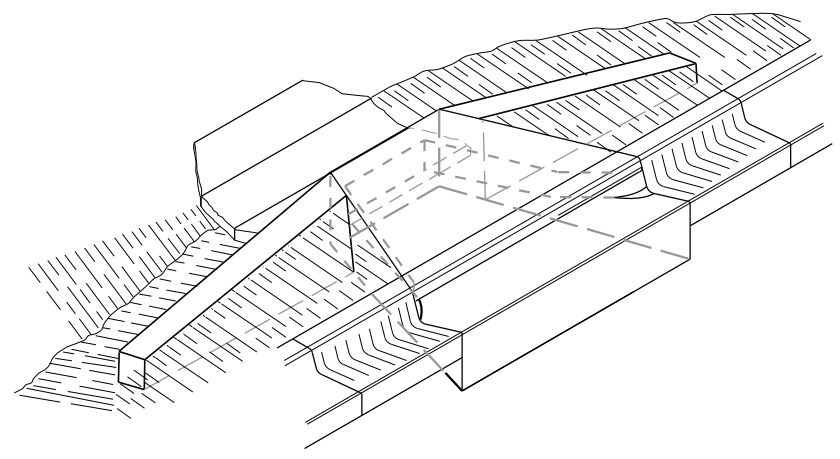


SECTION AA



SECTION BB

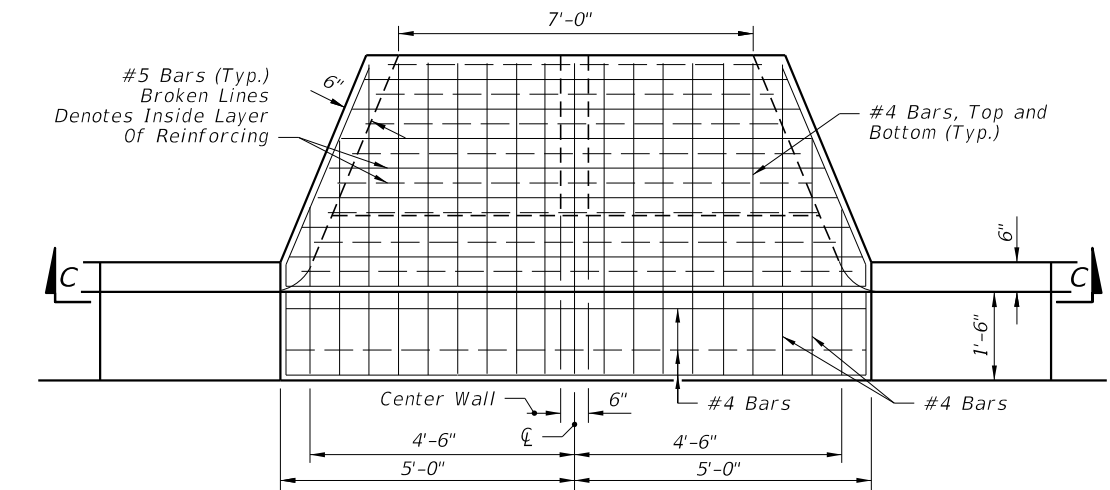
The Cost Of The 4" Thick Slab And The 6"x6" W2.5xW2.5 Min. Welded Wire Reinforcement In The Middle Of Slab To Be Included In The Cost Of The Inlet.



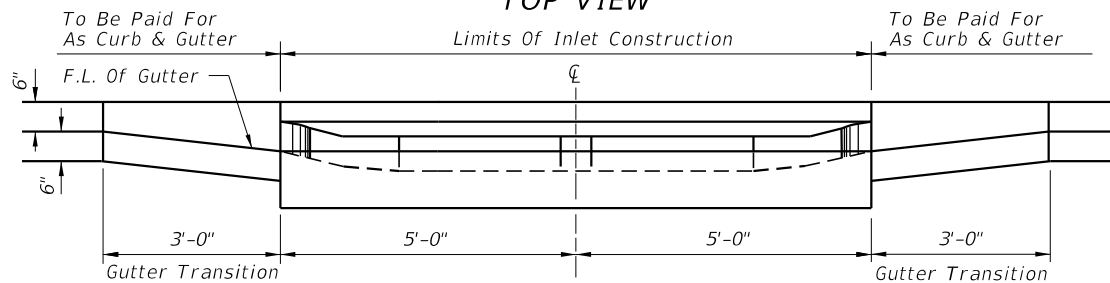
FLUME W/O SIDEWALK INLET (CLOSED FLUME) TYPE II
SINGLE BARREL FLUME DEPICTED

6/9/2015 2:21:51 PM

LAST REVISION 07/01/15	DESCRIPTION:	 2016 DESIGN STANDARDS	CLOSED FLUME INLET	INDEX NO. 216	SHEET NO. 2 of 3

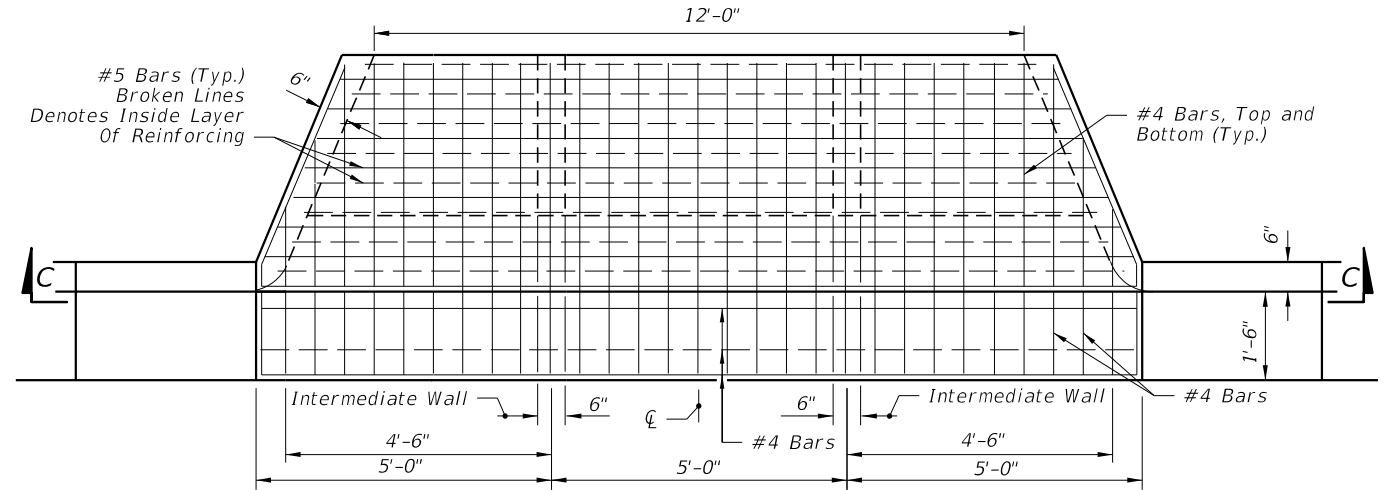


TOP VIEW

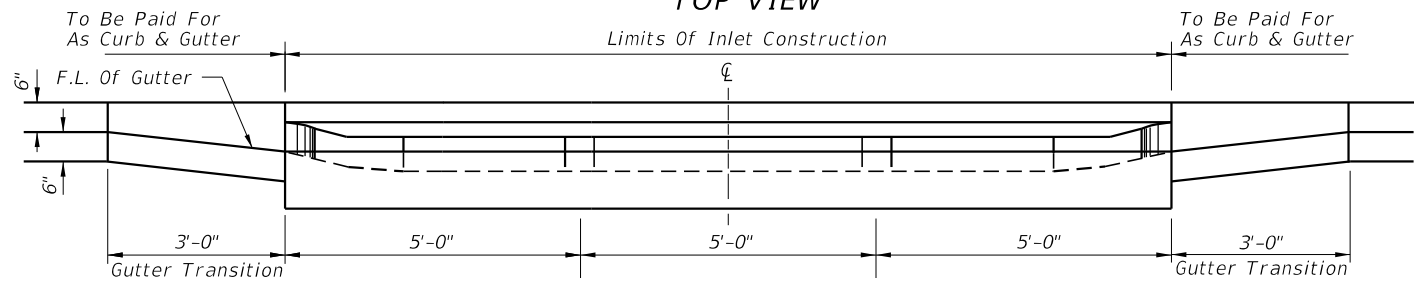


SECTION CC

DOUBLE BARREL FLUME

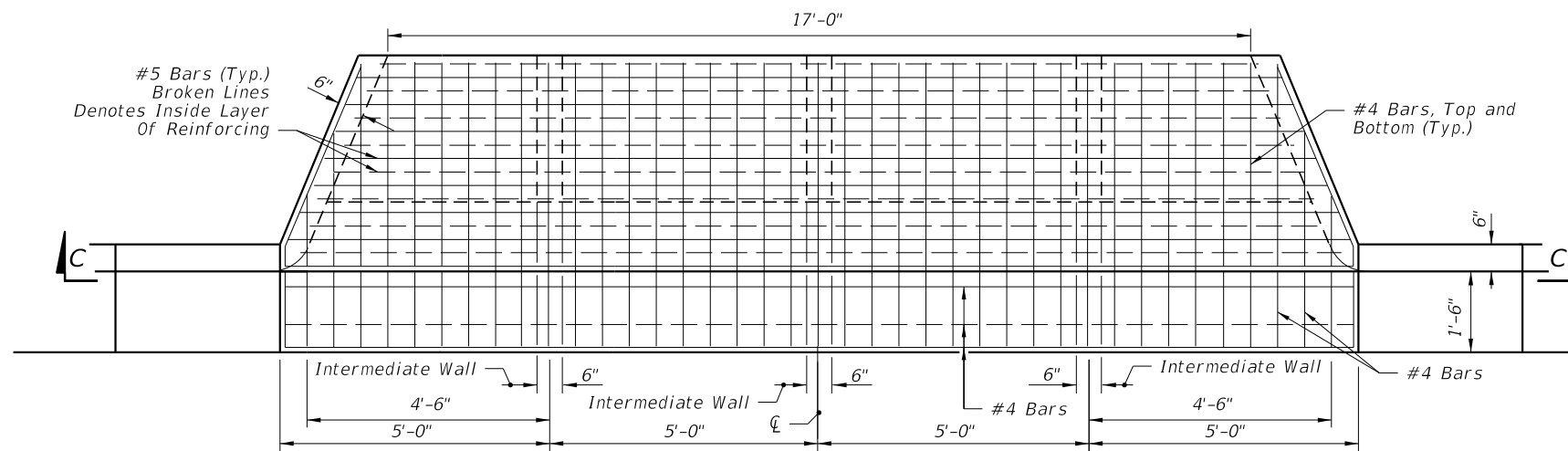


TOP VIEW

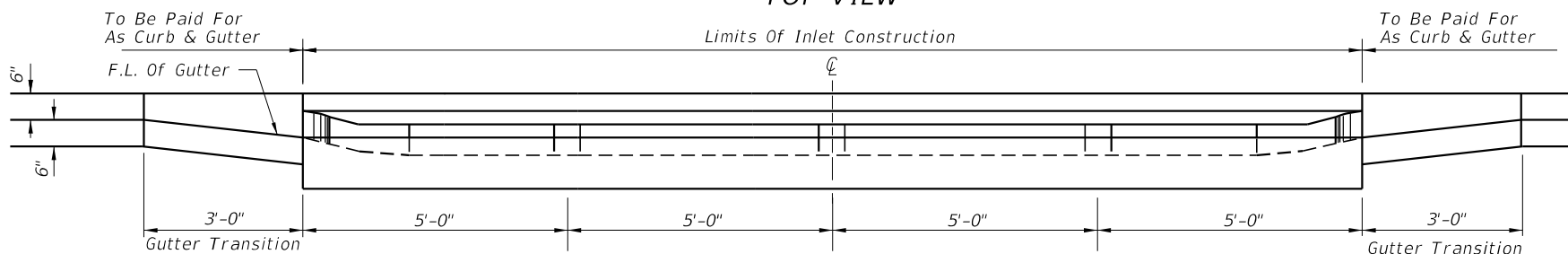


SECTION CC

TRIPLE BARREL FLUME

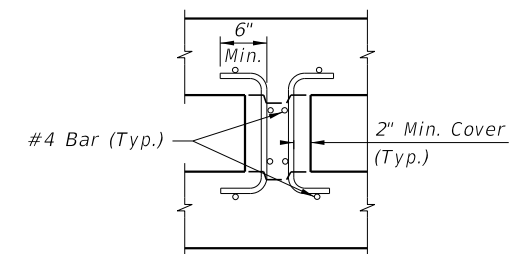


TOP VIEW



SECTION CC

QUADRUPLE BARREL FLUME



INTERMEDIATE-WALL REINFORCING

NOTE: See Barrel Flume For Base Dimensions.

6/9/2015 2:21:52 PM

LAST REVISION	DESCRIPTION:
07/01/14	