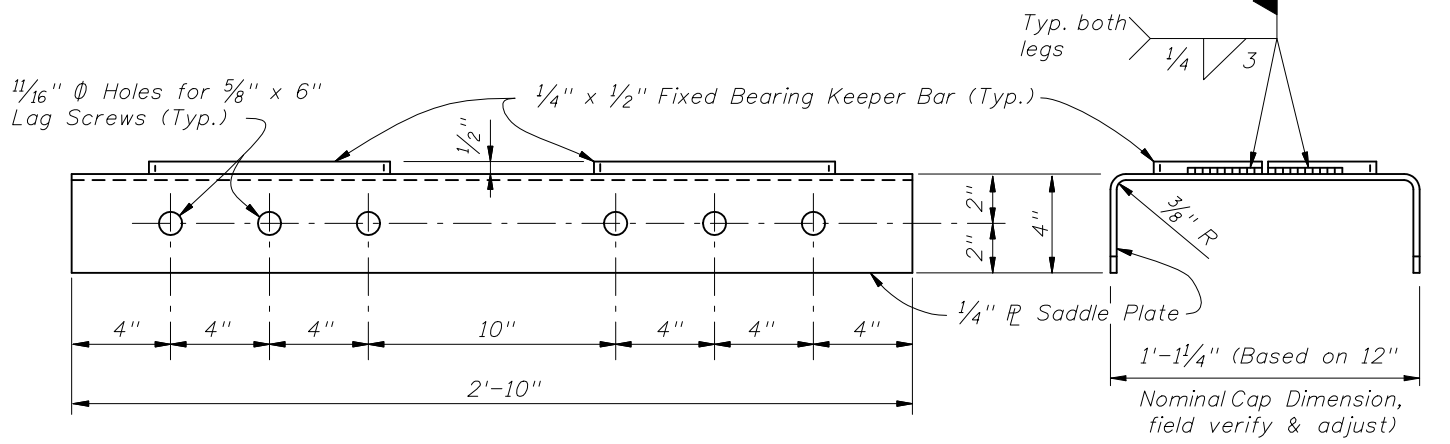
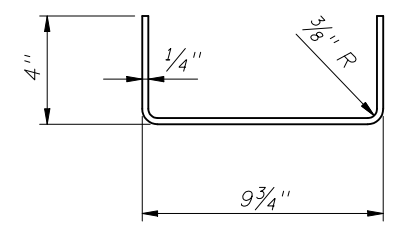


PLAN VIEW



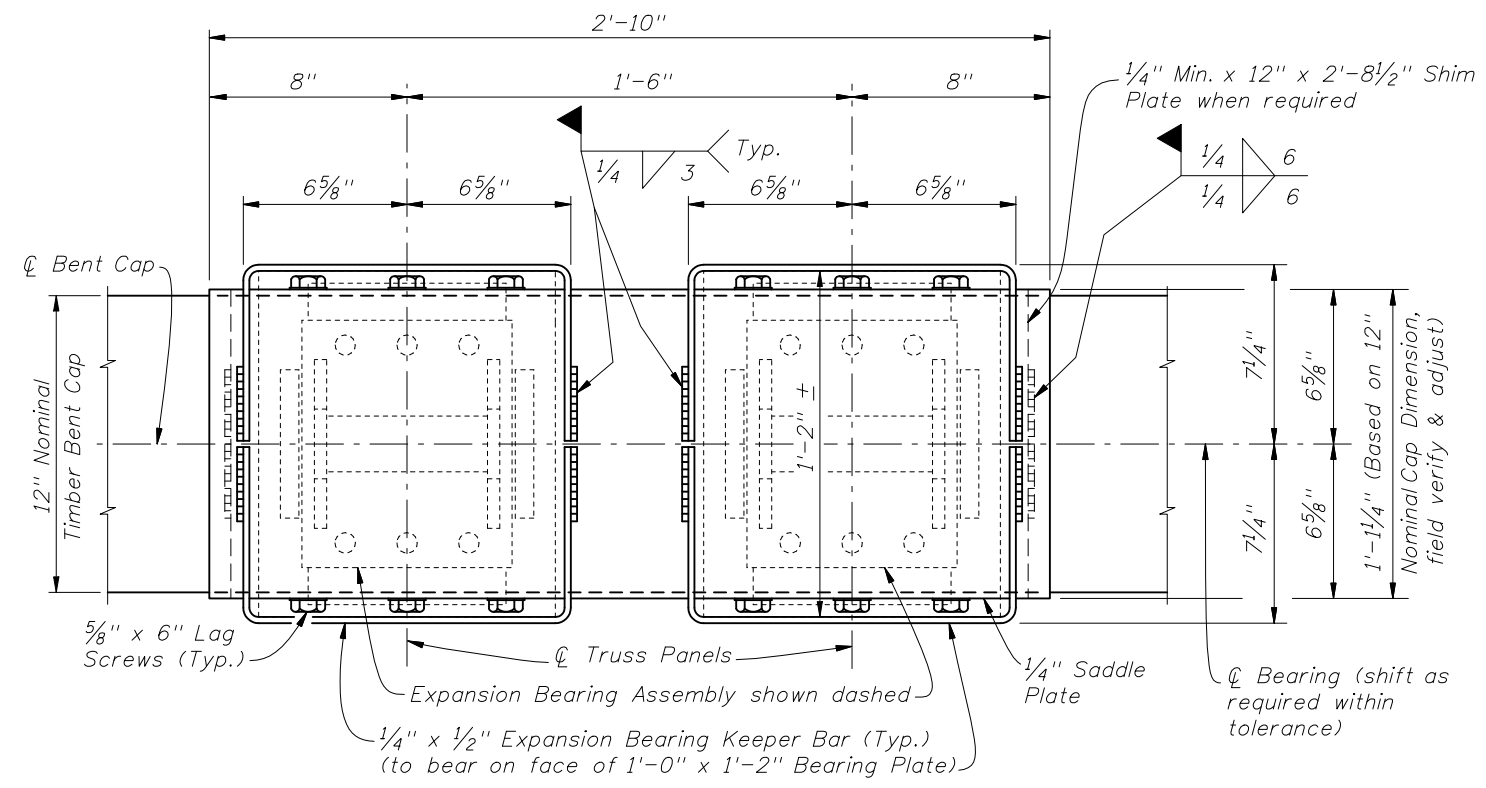
ELEVATION VIEW OF SADDLE PLATE

END VIEW

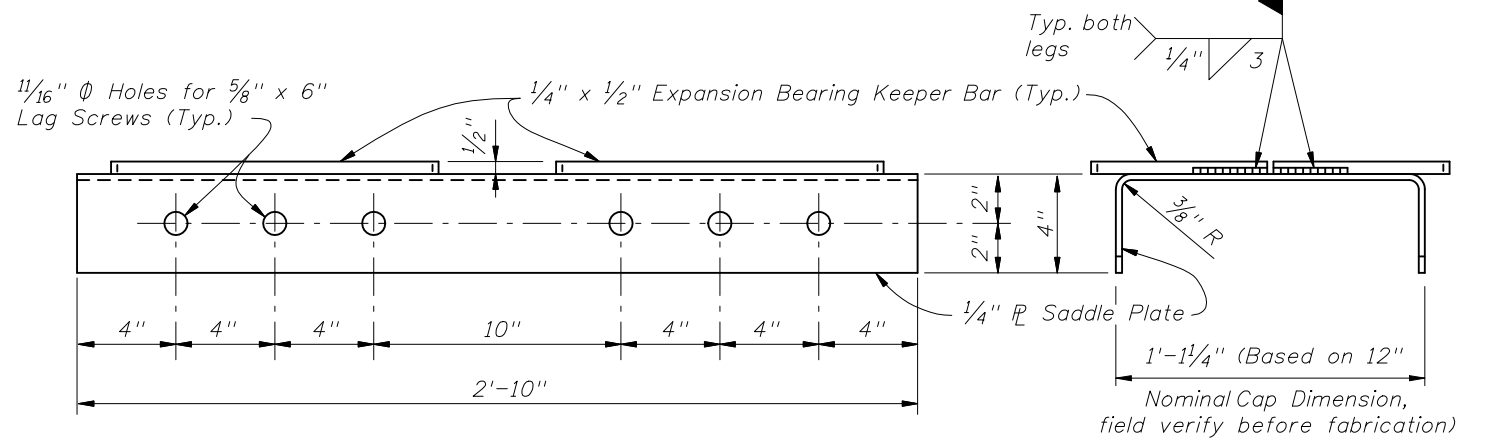


FIXED BEARING KEEPER BAR DETAIL

FIXED BEARING DETAILS

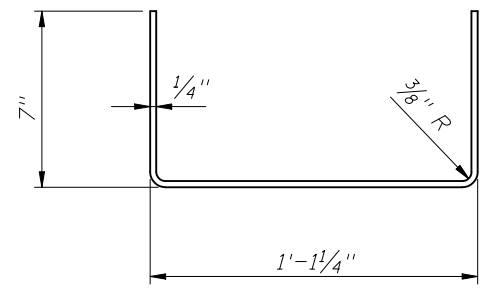


PLAN VIEW



ELEVATION VIEW OF SADDLE PLATE

END VIEW

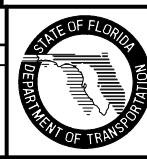


EXPANSION BEARING KEEPER BAR DETAIL

EXPANSION BEARING DETAILS

REVISIONS

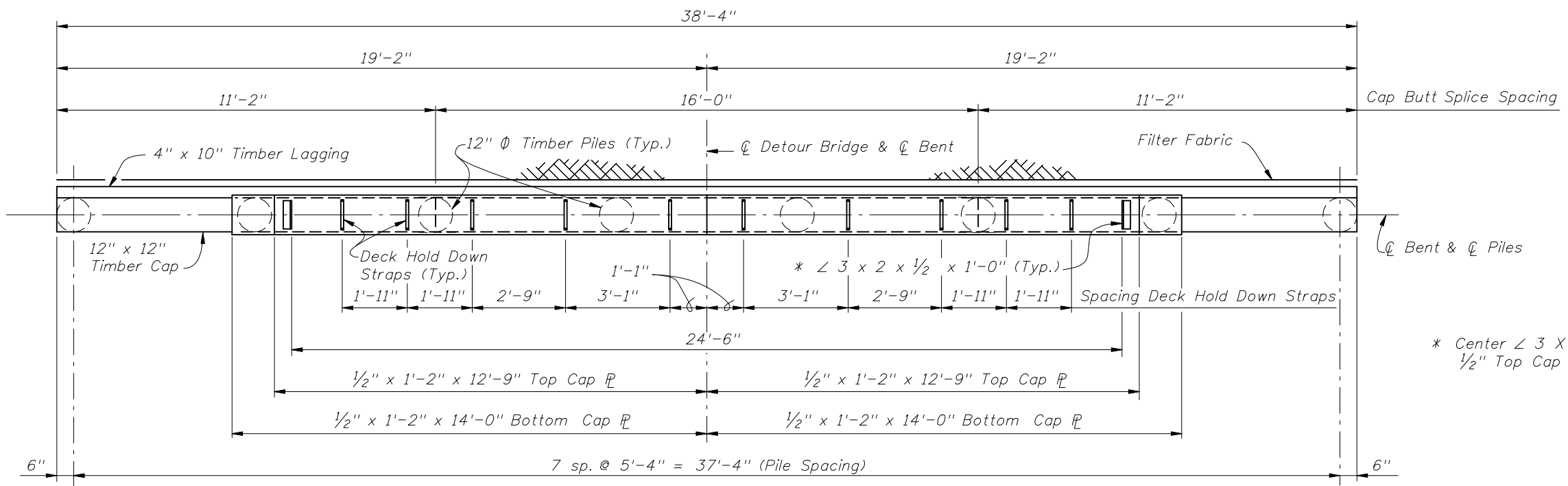
DATE	BY	DESCRIPTION	DATE	BY	DESCRIPTION
07/01/06	SDD	New Design Standard Issued			



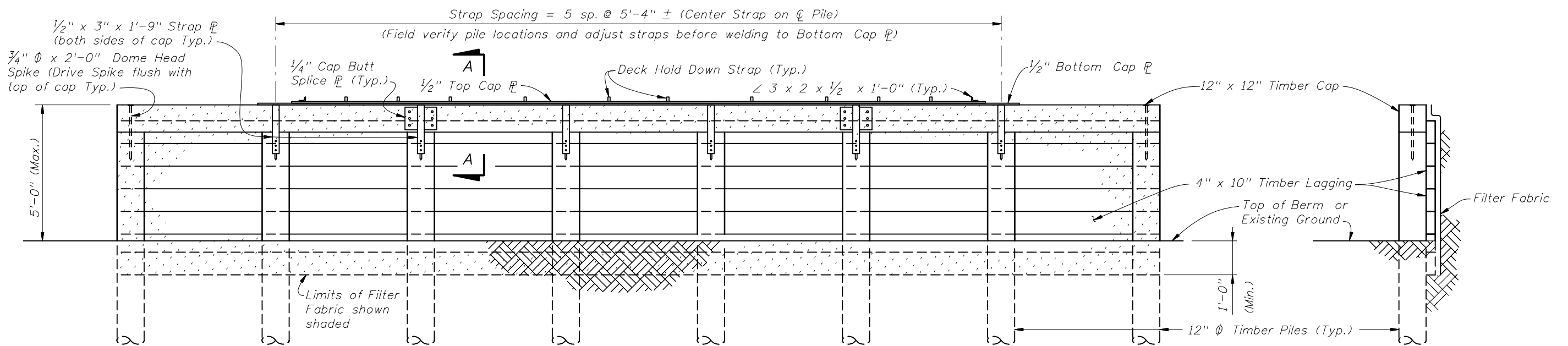
2006 Interim Design Standard

TEMPORARY DETOUR BRIDGE DETAILS
TIMBER PILE FOUNDATIONS

Interim Date	Sheet No.
07/01/06	1 of 3
Index No.	
21610	



PLAN VIEW



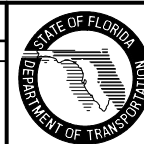
ELEVATION VIEW

END VIEW

BACKWALL BENT DETAILS

REVISIONS

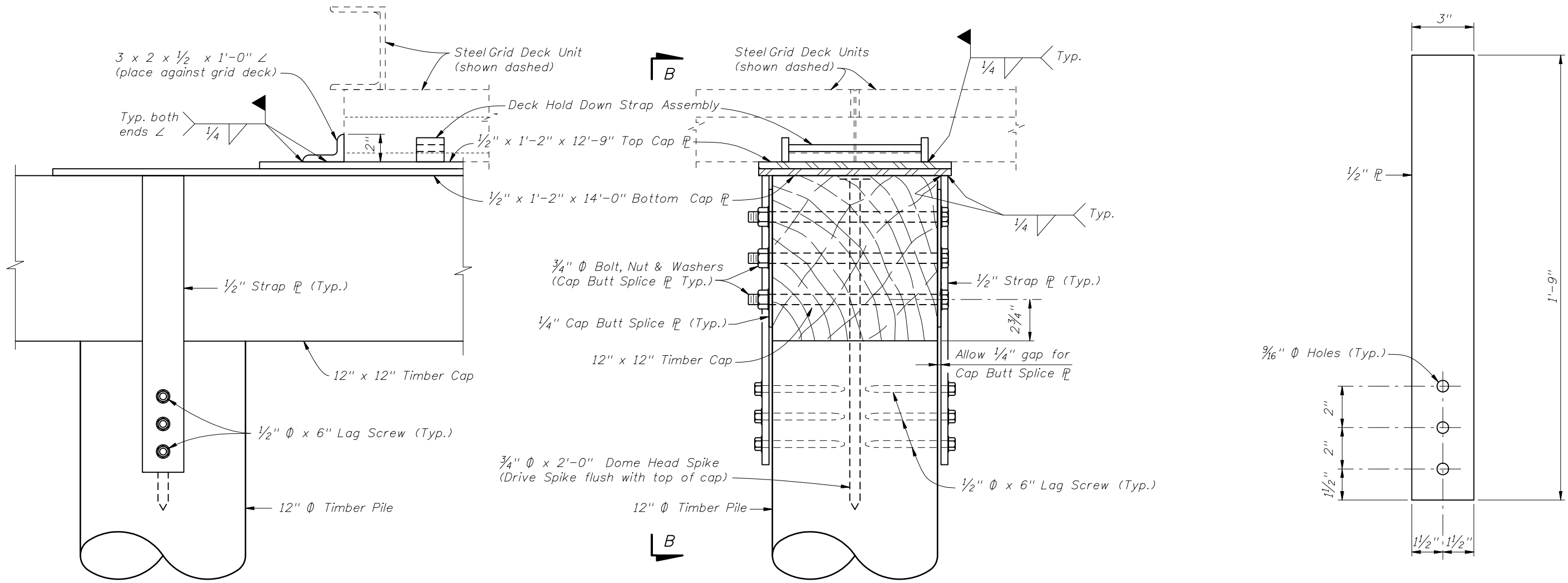
DATE	BY	DESCRIPTION	DATE	BY	DESCRIPTION
07/01/06	SDD	New Design Standard Issued			



2006 Interim Design Standard

TEMPORARY DETOUR BRIDGE DETAILS
TIMBER PILE FOUNDATIONS

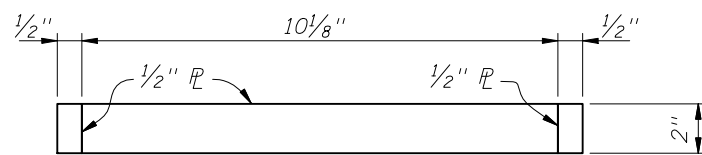
Interim Date: 07/01/06
Sheet No.: 2 of 3
Index No.: 21610



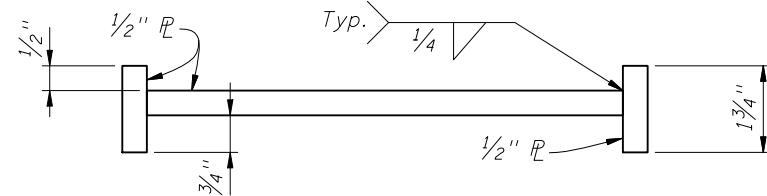
VIEW B-B
(SHOWING END OF CAP PLATES)

SECTION A-A

STRAP PLATE DETAIL

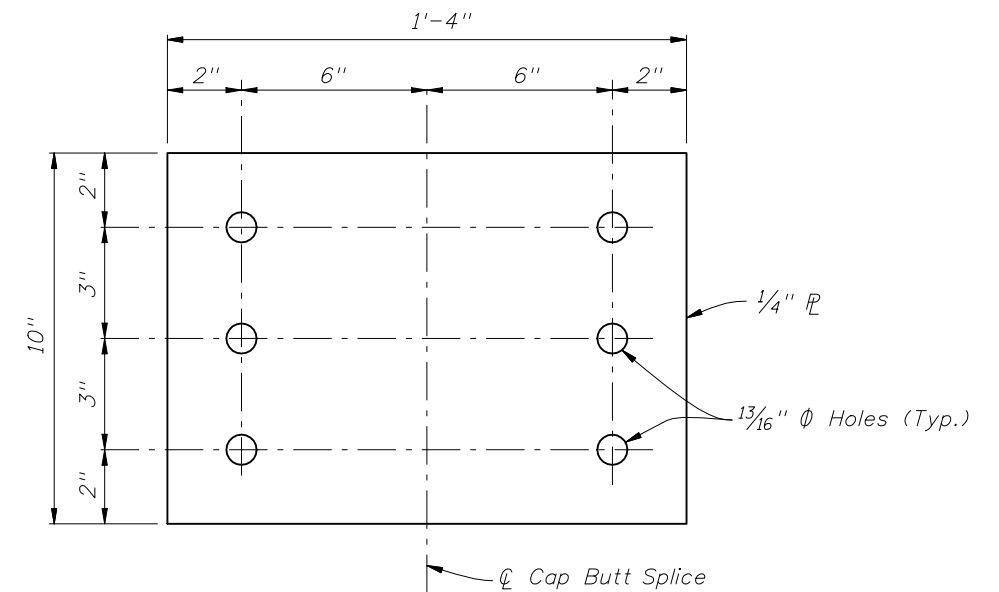


PLAN VIEW



ELEVATION VIEW

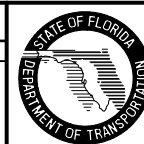
==== HOLD DOWN STRAP ASSEMBLY DETAIL ====



CAP BUTT SPLICE PLATE DETAIL

REVISIONS

DATE	BY	DESCRIPTION	DATE	BY	DESCRIPTION
07/01/06	SDD	New Design Standard Issued			



2006 Interim Design Standard

TEMPORARY DETOUR BRIDGE DETAILS
TIMBER PILE FOUNDATIONS

Interim Date: 07/01/06
Sheet No.: 3 of 3
Index No.: 21610

==== BACKWALL BENT DETAILS ====