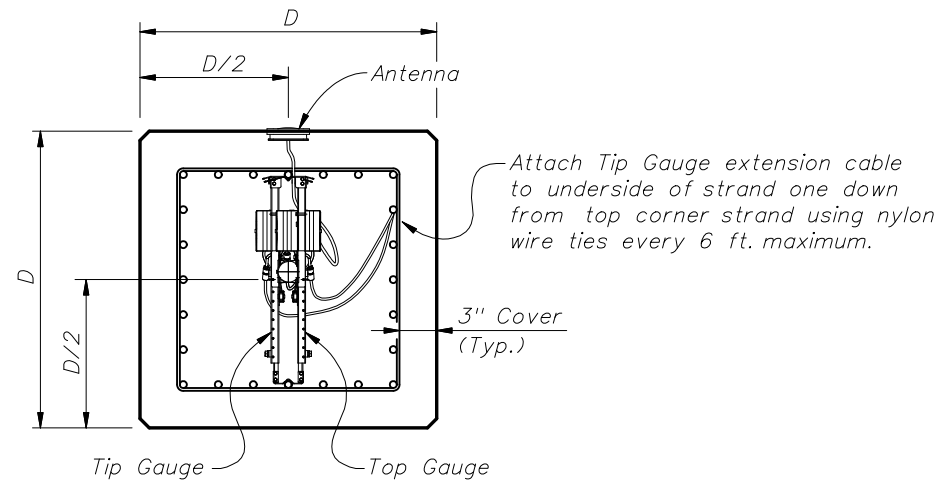
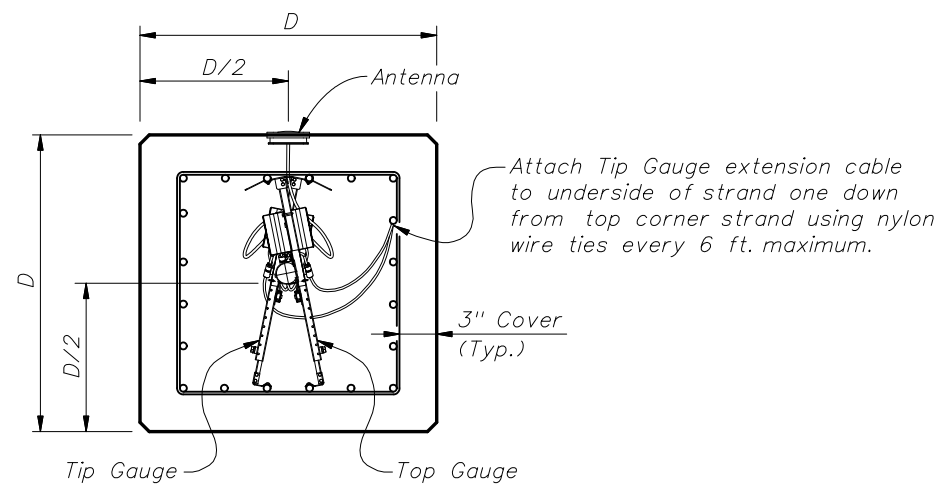


ELEVATION



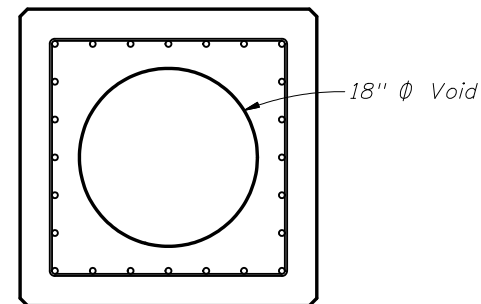
SECTION A-A

(Strand Pattern with odd number of strands per face)

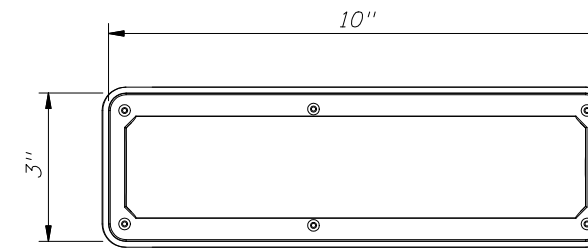


SECTION A-A

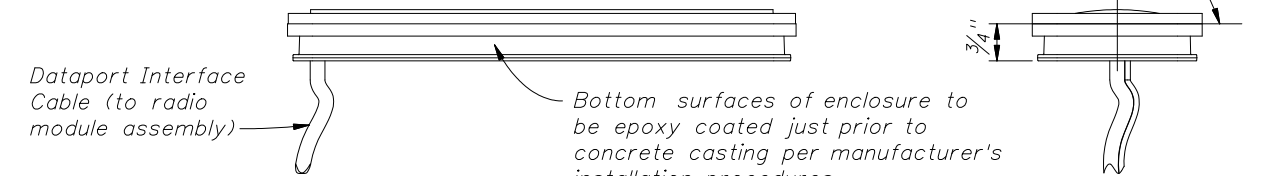
(Strand Pattern with even number of strands per face)



SECTION B-B  
(30" Pile only)



ANTENNA TOP VIEW



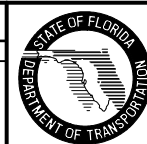
ANTENNA SIDE VIEW

ANTENNA END VIEW

Work this sheet with  
 Index No. 20618 for 18" square piles,  
 Index No. 20624 for 24" square piles,  
 Index No. 20630 for 30" square piles.

REVISIONS

DATE	BY	DESCRIPTION	DATE	BY	DESCRIPTION
11/07/06	LEJ	New Design Standard.			



2006 Interim Design Standard

EDC INSTRUMENTATION FOR  
 SQUARE PRESTRESSED CONCRETE PILES

Interim Date	Sheet No.
11/07/06	1 of 1
Index No.	
20602	