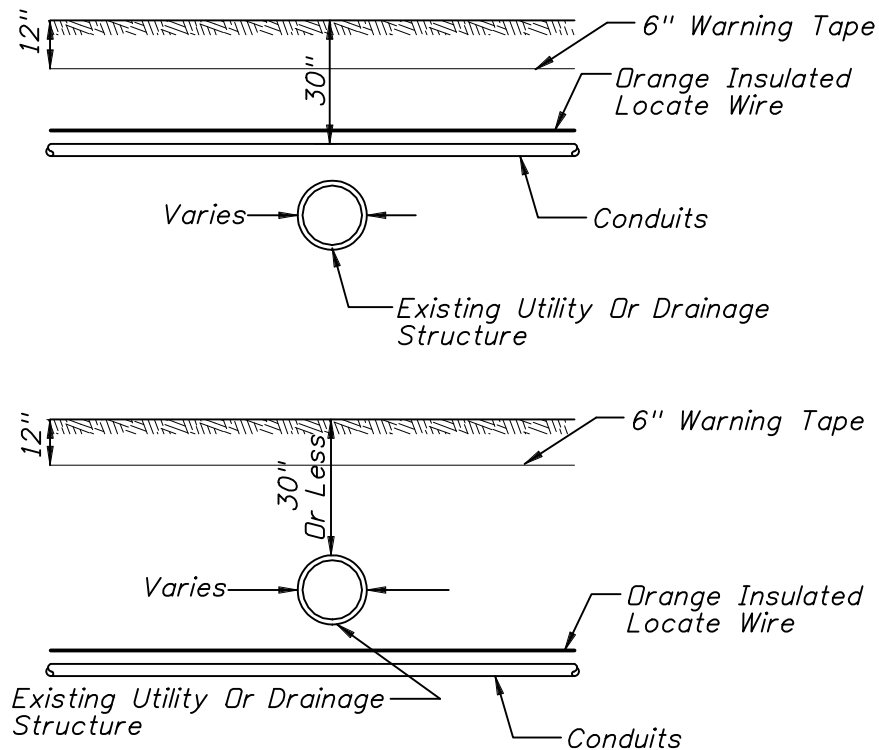


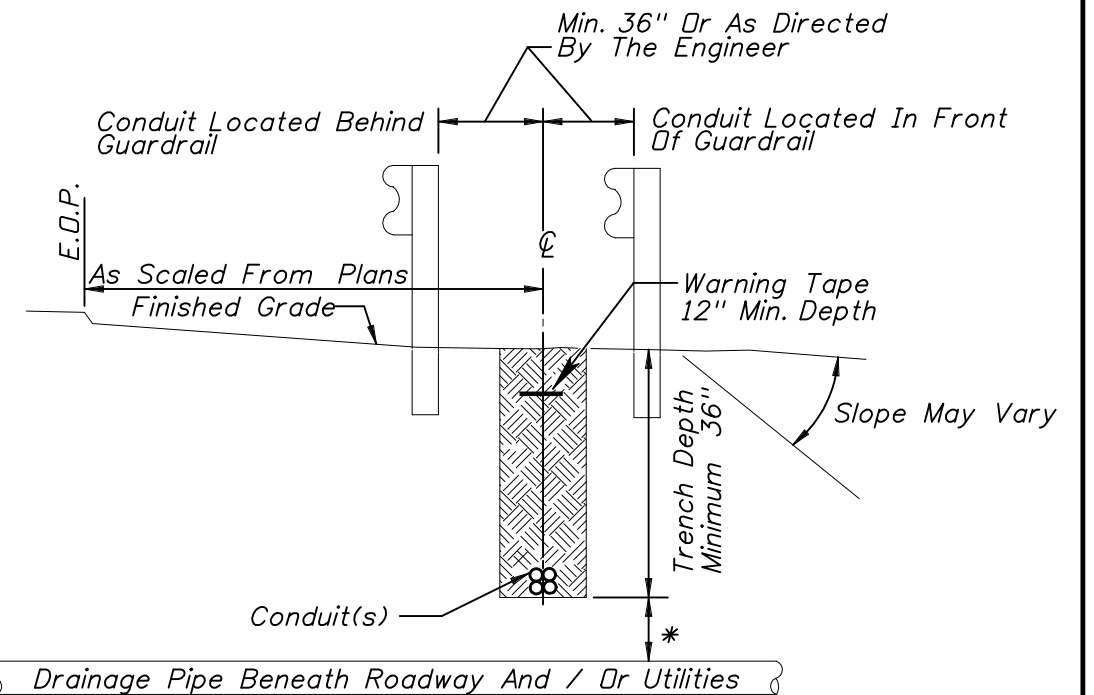
SECTION AA



CONDUIT INSTALLATION DETAILS ACROSS EXISTING DRAIN PIPES OR UTILITIES

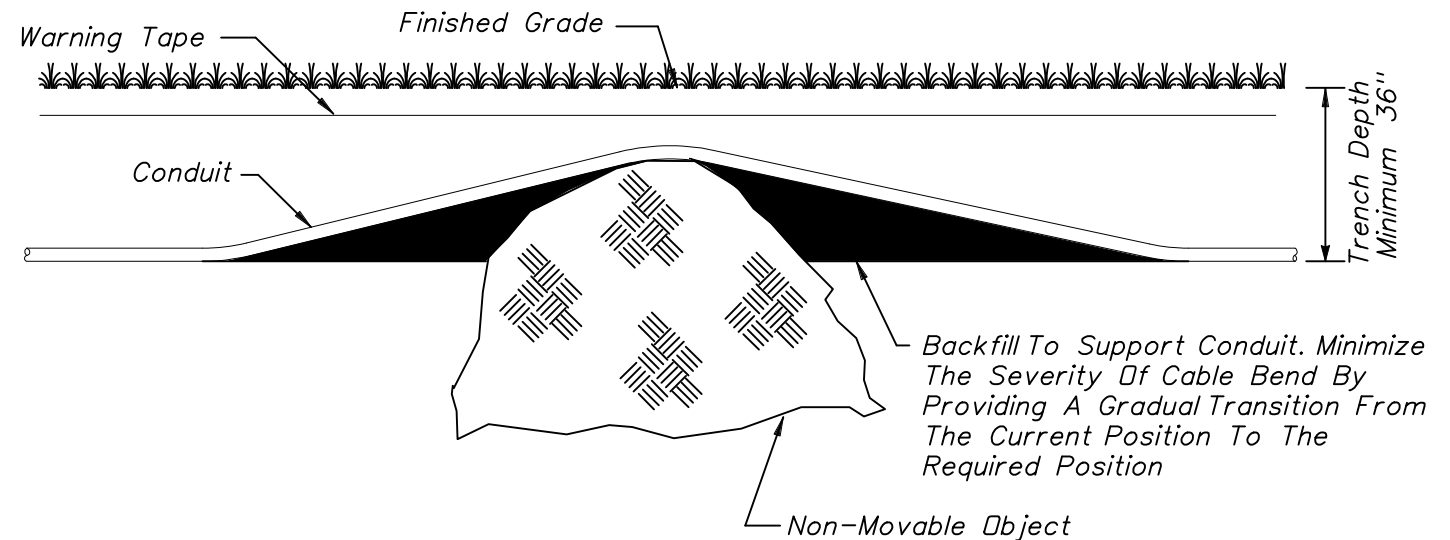
**GENERAL NOTES:**

1. The contractor, with approval from the engineer, may adjust the final burial depth of the conduit(s) in order to transverse non-movable object conflicts.
2. Backfill with excavated material and compact the soil until firm and unyielding. Remove rock and debris from backfill material.
3. Where conduits are to be installed across existing underground structures (e.g. drain pipes or utility lines) which are less than 30" deep, the contractor shall encase the conduit in 2500 psi class I concrete for the entire length of conduit that is installed at a depth of less than 30".
4. If the amount of cover over the encasement is less than 6", the contractor shall install the conduit to pass below the underground structures (e.g. drain pipes).



\*Maintain 12" Minimum Vertical Clearance When Crossing Over Pipe And / Or Utilities. If Minimum Vertical Clearance Cannot Be Maintained, Then Conduit Is To Be Routed Under Pipe Maintaining 12" Minimum Vertical Clearance.

CONDUIT INSTALLATION TYPICAL DETAIL



CONDUIT TRENCHING INSTALLATION AND NON-MOVABLE OBJECT TYPICAL DETAIL

Not To Scale

REVISIONS					
Date	By	Description	Date	By	Description
01/01/06	ITS	New Design Standard Index.			

