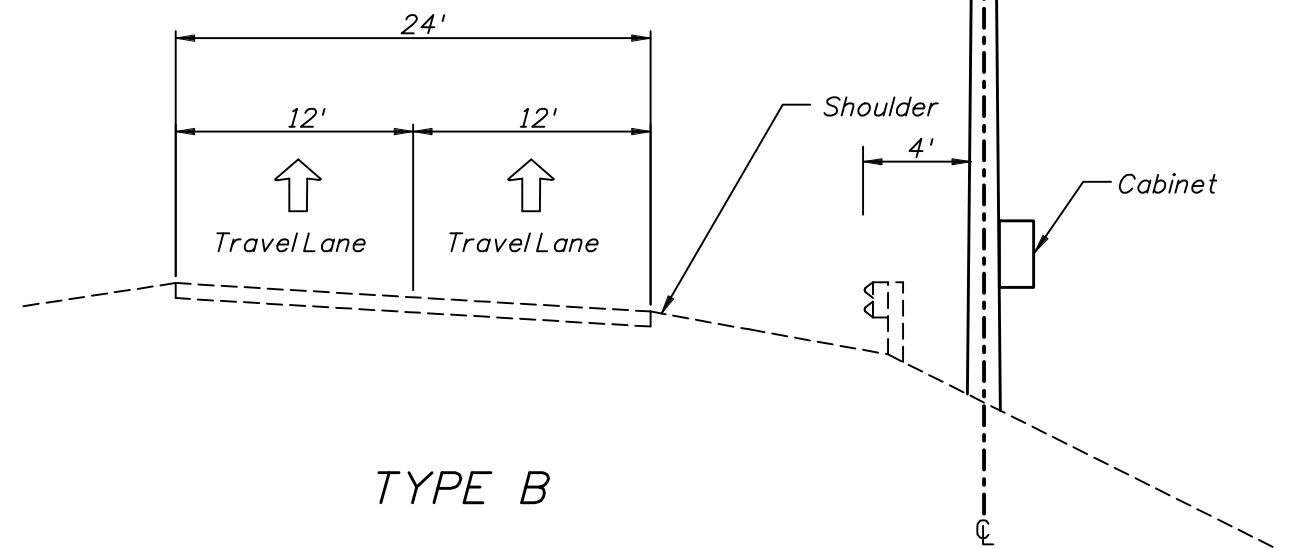


TYPE A



TYPE B

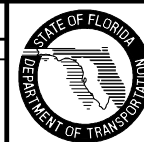
GENERAL NOTE:

1. For location where pole foundation is lower than roadway, mount CCTV cabinet on pole. Clear zone shall be measured to the edge of drilled shaft if drilled shaft is more than 4" above adjacent grade.

Not To Scale

REVISIONS

Date	By	Description	Date	By	Description
01/01/06	ITS	New Design Standard Index.			



2006 Interim Design Standard

CCTV POLE PLACEMENT

Interim Date	Sheet No.
01/01/06	1 of 1
Index No.	
18100	