

SINGLE COLUMN GROUND SIGN NOTES:

- 1) DESIGN WIND SPEED: See Wind Speeds by County.
- 2) GENERAL SPECIFICATIONS: Current FDOT Standard Specifications for Road and Bridge Construction and supplements thereto.
- 3) DESIGN SPECIFICATIONS: AASHTO Standard Specifications for Structural Supports for Highway Signs, Luminaires and Traffic Signals, as modified by the FDOT Structures Manual.
- 4) ALUMINUM: Aluminum Materials shall meet the requirements of Aluminum Association Alloy 6061-T6 (ASTM B209, B221, or B308), except as noted below.
- 5) CONCRETE: Class I (Special).
- 6) SIGN PANELS: 0.08 inches min. thick Aluminum Plate with all corners rounded.
- 7) ALUMINUM BOLTS, NUTS, AND LOCK WASHERS:
  - a. Aluminum bolts: ASTM F468, Alloy 2042-T4 with at least 0.0002 inches thick anodic coating and chromate sealed.
  - b. Nuts: ASTM F467, Alloy 6061-T6 or 6262-T9.
  - c. Lockwashers: ASTM B221, Alloy 7075-T6.
- 8) STAINLESS STEEL BOLTS, NUTS, AND LOCKWASHERS: Stainless Steel Bolts, Nuts, and Lockwashers: ASTM F593 and ASTM F594, Alloy Group 2. Condition A, CW2, or SH4 may be provided in lieu of Aluminum Bolts, Nuts, and Washers.
- 9) U-BOLTS, NUTS, AND LOCKWASHERS: U-bolts, Nuts, and Lockwashers: ASTM A307, Grade A, galvanized in accordance with ASTM F2329.
- 10) INSTALLING FRANGIBLE COLUMN SUPPORTS: Columns (posts) may be installed by driving the columns in accordance with this Index, or as an alternate method, the columns (posts) may be set to the depth indicated in preformed holes backfilled with suitable material tamped in layers not thicker than 6" to provide adequate compaction or filled with flowable fill or bagged concrete.
- 11) BREAKAWAY SUPPORTS REQUIREMENTS: Install non-frangible aluminum column (post) (larger than 3 1/2") with breakaway supports as shown on Sheet 5 of 8.
- 12) QPL: Manufacturers seeking approval of alternate aluminum round tube, steel U-channel and steel square tube single post ground sign assemblies for inclusion on the Qualified Products List (QPL), must submit a QPL application, design calculations, and detailed drawings showing the product meets all the requirements of this index, including the design table, and Specification 700. Additional Steel Post Specifications are:
  - a. U-channel: ASTM A 499 Grade 60, or ASTM A576 Grade 1080 (with a minimum yield strength of 60 ksi).
  - b. Square Tube: ASTM A 653 Grade 50, or ASTM A 1011 Grade 50.

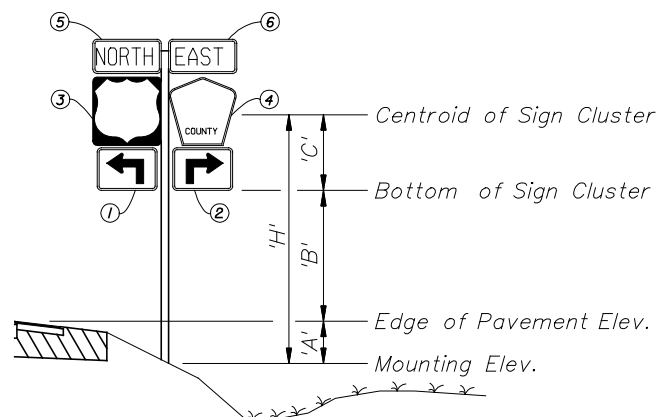
WIND SPEEDS BY COUNTY:

- 110 MPH**  
Alachua, Baker, Bradford, Clay, Columbia, Gadsden, Gilchrist, Hamilton, Hardee, Jackson, Jefferson, Lafayette, Lake, Leon, Madison, Marion, Polk, Putnam, Sumter, Suwannee and Union counties.
- 130 MPH**  
Bay, Brevard, Calhoun, Charlotte, Citrus, De Soto, Dixie, Duval, Flagler, Franklin, Glades, Gulf, Hendry, Hernando, Highlands, Hillsborough, Holmes, Lee, Levy, Liberty, Manatee, Nassau, Okaloosa, Okeechobee, Orange, Osceola, Pasco, Pinellas, Sarasota, Seminole, St Johns, Taylor, Volusia, Wakulla, Walton and Washington counties.
- 150 MPH**  
Broward, Collier, Dade, Escambia, Indian River, Martin, Monroe, Palm Beach, Santa Rosa and St. Lucie counties.

GUIDE TO USE THIS STANDARD:

1. Calculate the area and the centroid for an individual sign or a sign cluster. Note that the centroid and areas have been calculated for frequently used sign clusters. These are shown on Sheet No. 6, 7 & 8 of 8.
2. Determine the height 'H' from groundline for the individual sign or the cluster.
3. Select the appropriate Column (Post) Selection Tables by Wind Speed and find the intersection point.
4. Design the post and the foundation according to the dark-bold lines or shaded area (if cantilever sign) in the Column (Post) Selection Tables and Post and Foundation Table.

EXAMPLE:



Size H x V	Centroid			'A <sub>n</sub> ' (IN <sup>2</sup> )	'X <sub>n</sub> ' x 'A <sub>n</sub> ' (IN <sup>3</sup> )	'Y <sub>n</sub> ' x 'A <sub>n</sub> ' (IN <sup>3</sup> )	
	local 'Y <sub>n</sub> ' (IN)	global 'X <sub>n</sub> ' (IN)	global 'Y <sub>n</sub> ' (IN)				
(IN x IN)	(IN)	(IN)	(IN)	(IN <sup>2</sup> )	(IN <sup>3</sup> )	(IN <sup>3</sup> )	
① 21 x 15	7.5	-10.5-1.5-1.5 = -13.5	7.5	315	-4,252.5	2,362.5	
② 21 x 15	7.5	10.5+1.5+1.5 = 13.5	7.5	315	+4,252.5	2,362.5	
③ 24 x 24	12	-12-1.5 = -13.5	15+1+12= 28	576	-7,776	16,128	
④ 24 x 24	12	12+1.5 = 13.5	15+1+12= 28	436	5,886	12,208	
⑤ 24 x 12	6	-12-1.5 = -13.5	15+1+24+ 1+6=47	288	-3,888	13,536	
⑥ 24 x 12	6	12+1.5 = 13.5	15+1+24+ 1+6=47	288	3,888	13,536	
				<b>2,218</b>	<b>-1,890</b>	<b>60,133</b>	<b>TOTALS</b>

$\Sigma('A_n') = 2,218 \text{ IN}^2 = 15.4 \text{ FT}^2$        $\Sigma('X_n' \times 'A_n') = -1,890 \text{ IN}^3 = -1.09 \text{ FT}^3$        $\Sigma('Y_n' \times 'A_n') = 60,133 \text{ IN}^3 = 34.8 \text{ FT}^3$

$'X'_c = \frac{\Sigma('X_n' \times 'A_n')}{\Sigma 'A_n'} = -0.1 \text{ FT}$        $'Y'_c = \frac{\Sigma('Y_n' \times 'A_n')}{\Sigma 'A_n'} = 2.26 \text{ FT}$

Assume: Bay County, 'A' = 1 FT, 'B' = 7 FT  
 Calculated: 'X'<sub>c</sub> = -0.1 FT 'C' = 'Y'<sub>c</sub> = 2.26 FT  
 Since 'X'<sub>c</sub> < 6", it is not a cantilever sign, only dark-bold lines in the table will be referenced to.

'H' = 'A' + 'B' + 'C' = 10.26 FT ==> **USE 11 FT**       $\Sigma('A_n') = 15.4 \text{ FT}^2$  ==> **USE 16 FT<sup>2</sup>**

COLUMN (POST) SELECTION TABLE (WIND SPEED = 130 MPH)

TOTAL PANEL AREA (SF) \ 'H' (FT)	8.0	9.0	10.0	11.0	12.0	13.0	14.0	15.0	16.0	17.0	18.0	19.0	20.0
3													
4													
5													
6													
7													
8													
9													
10													
11													
12													
13													
14													
15													
16													
17													
18													
19													
20													

For WIND SPEED = 130 MPH,  
 'H' = 11 FT, Area = 16 FT<sup>2</sup>

- Refer to the 130 mph Column (Post) Selection Table, as copied from Sheet 3 of 8 and shown here.
- Using the 16 ft<sup>2</sup> area on the left hand side of the table, go across to the 11 ft height and find the cell marked with X.
- find the symbol [4] which the dark-bold line under the X cell leads to.
- In the Post and Foundation Table, the symbol [4] concludes that the design requires a 4.0" diameter and 0.25" thick Aluminum Column (Post) and a 2.0' diameter and 5.0' deep Concrete Foundation.

= If CANTILEVER SIGN configuration (see Cantilever Sign Details) falls in this region, use next larger post size than that indicated.

**NOTES AND EXAMPLE**

ALUMINUM COLUMN (POST) SELECTION TABLE (WIND SPEED = 110 MPH)

TOTAL PANEL AREA (SF)	'H' (FT)	8.0	9.0	10.0	11.0	12.0	13.0	14.0	15.0	16.0	17.0	18.0	19.0	20.0
					[0]				[1]				[2]	
3														
4														
5														
6														
7														
8														
9														
10														
11														
12														
13														
14														
15														
16														
17														
18														
19														
20														

ALUMINUM COLUMN (POST) SELECTION TABLE (WIND SPEED = 130 MPH)

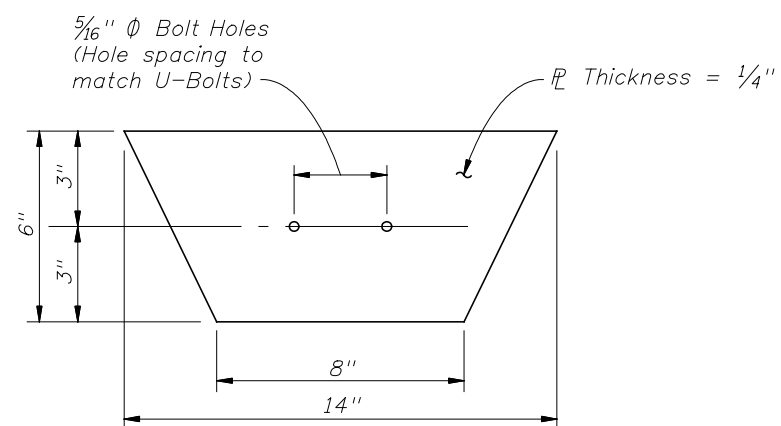
TOTAL PANEL AREA (SF)	'H' (FT)	8.0	9.0	10.0	11.0	12.0	13.0	14.0	15.0	16.0	17.0	18.0	19.0	20.0
					[0]				[1]				[2]	
3														
4														
5														
6														
7														
8														
9														
10														
11														
12														
13														
14														
15														
16														
17														
18														
19														
20														

ALUMINUM COLUMN (POST) SELECTION TABLE (WIND SPEED = 150 MPH)

TOTAL PANEL AREA (SF)	'H' (FT)	8.0	9.0	10.0	11.0	12.0	13.0	14.0	15.0	16.0	17.0	18.0	19.0	20.0
					[1]				[2]					
3														
4														
5														
6														
7														
8														
9														
10														
11														
12														
13														
14														
15														
16														
17														
18														
19														
20														

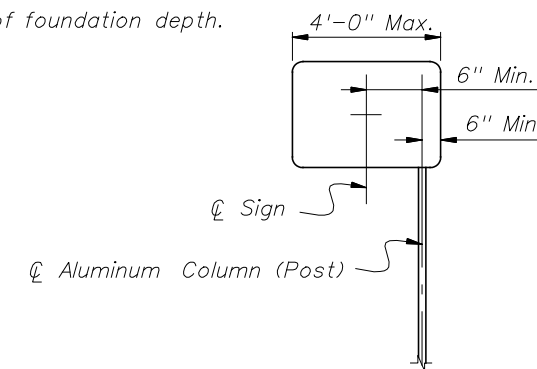
POST AND FOUNDATION TABLE						
Foundation Alternatives						
Post Size		Driven Post		Concrete*		
Diameter (IN)	Wall (IN)	Depth (FT)		Diameter (FT)	Depth (FT)	
		without Soil Plate	with Soil Plate			
[0]	2.0	1/8	4.5	2.5	2.0	2.0
[1]	2.5	1/8	5	3	2.0	2.0
[2]	3.0	1/8	5	3.5	2.0	2.5
[3]	3.5	3/16	6	4.5	2.0	3.0
[4]	4.0	1/4	---	---	2.0	4.0
[5]	4.5	1/4	---	---	2.0	4.0
[6]	5.0	1/4	---	---	2.0	4.5
[7]	6.0	1/4	---	---	2.0	5.0

\* See Note on Sheet 1 of 8.



ALUMINUM SOIL PLATE DETAILS

NOTE: Align SoilPlate bottom at 2/3 of foundation depth.



CANTILEVER SIGN

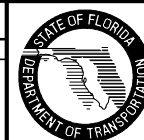
= If CANTILEVER SIGN configuration (see Cantilever Sign Details) falls in this region, use next larger post size than that indicated.

NOTE: All cantilever sign installations shall comply with Standard Index 17302. Column (post) size shall reference to the shaded area in the Column (Post) Selection Table as instructed. Foundation design shall be based on the chosen column (post) size.

POST AND FOUNDATION TABLES

REVISIONS

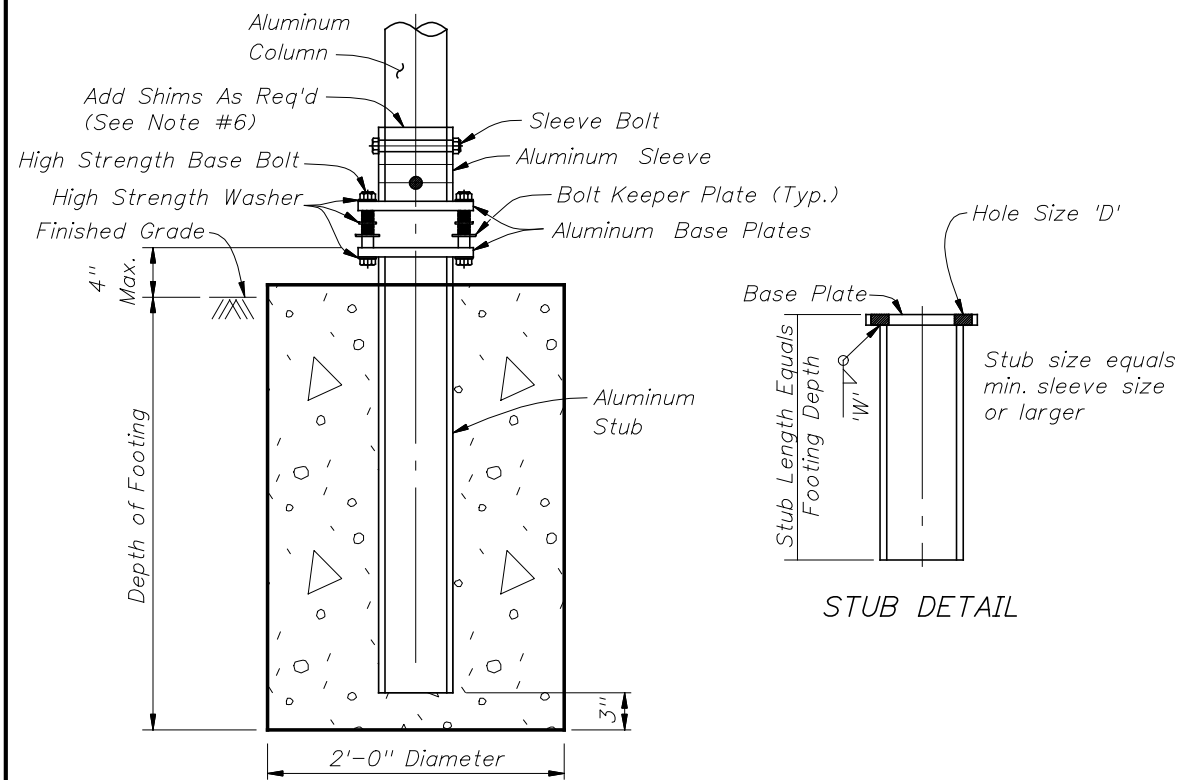
DATE	BY	DESCRIPTION	DATE	BY	DESCRIPTION
12/12/06	DYW	AASHTO 2001 LTS-4 Specifications update.			
07/01/07	DYW	Changed Post and Foundation Table. Added Aluminum Soil Plate Detail.			



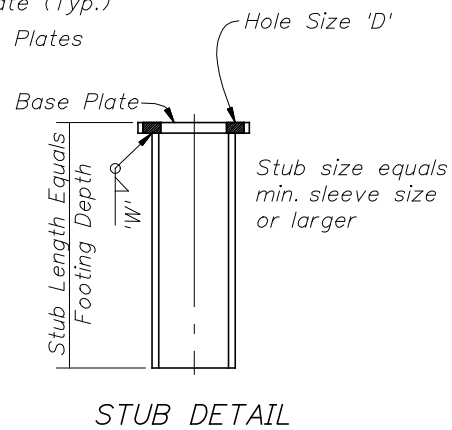
2006 Interim Design Standard

SINGLE COLUMN GROUND SIGNS

Interim Date	Sheet No.
07/01/07	3 of 8
Index No.	
11860	



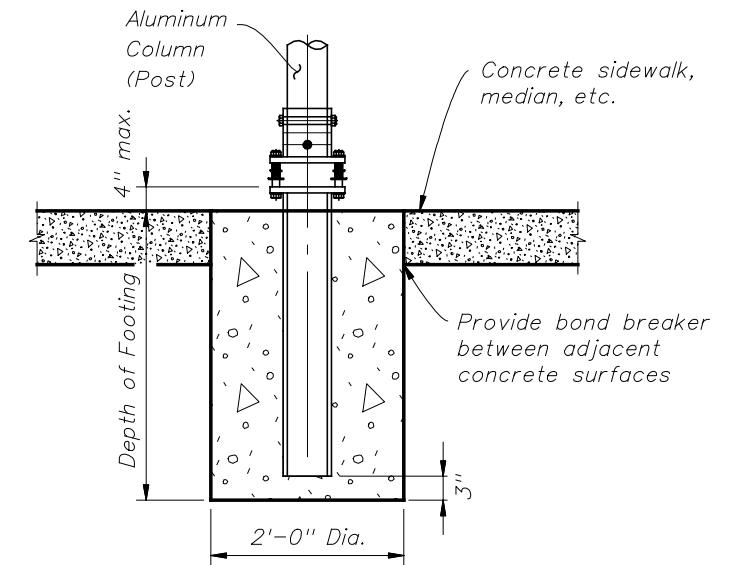
SLIP BASE AND FOOTING DETAIL  
(non-frangible post)



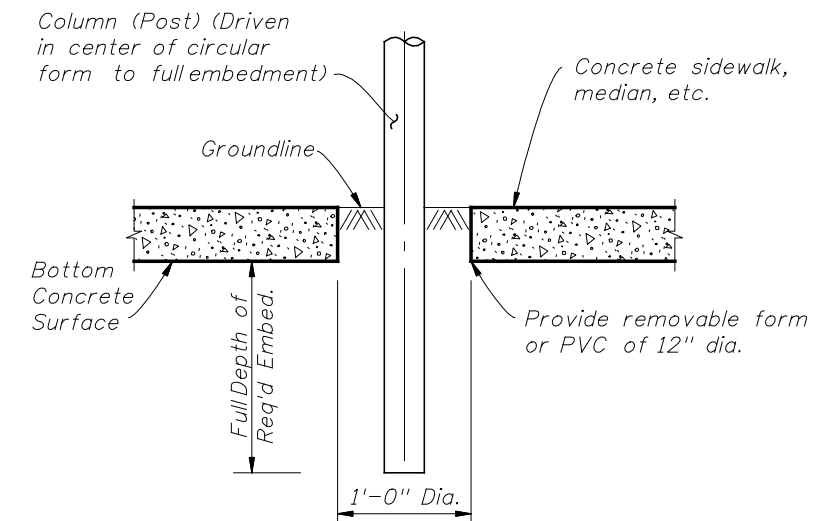
STUB DETAIL

**SLIP BASE NOTES:**

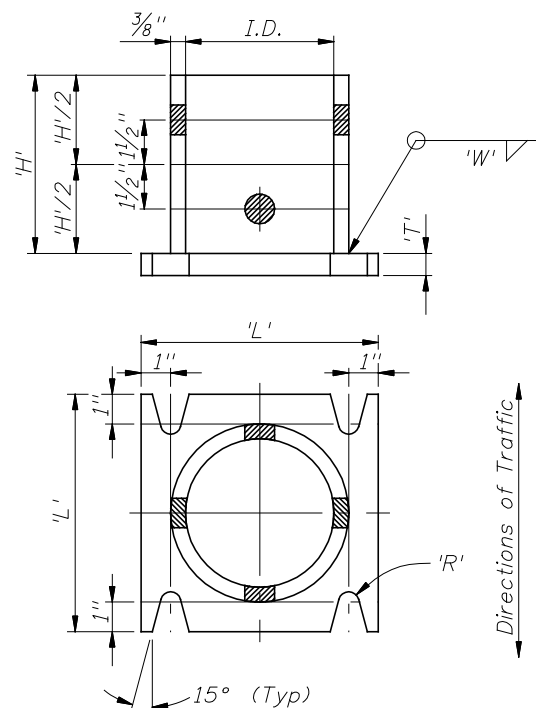
1. Use sleeves with an inside diameter (I.D.) no more than  $\frac{1}{16}$ " larger than the outside diameter (O.D.) of the column.
2. Sleeve Bolts: ASTM A-307,  $\frac{1}{2}$ "  $\Phi$  galvanized steel bolt (with lock nuts) or Alloy 2024-T4 or 6061-T6 (ASTM B-211).
3. Base bolts, Nuts, and Washers: high strength ASTM A-325 with ASTM B633 SC3, Type II electroplated zinc coating.
4. Base plates may have either single or double beveled slots.
5. An alternate cast base plate of aluminum alloy 356 and T6 temper in lieu of the fabricated base plate may be submitted for approval. If a cast base plate is used, the stub will be the same size as the column and will be bolted to the casting.
6. Assemble the slip base connection in the following manner:
  - a. Connect column to sleeve using two  $\frac{1}{2}$ "  $\Phi$  machine bolts.
  - b. Assemble top base plate to stub base plate using high strength bolts with three hardened washers per bolt. One of the three washers per bolt and two bolt keeper plates go between the base plates.
  - c. Use shim stock as required to plumb the column.
  - d. Tighten all bolts to the maximum possible with a 12" to 15" wrench. (This will bed the washers and shims and clear the bolt threads.)
  - e. Loosen each bolt one turn and using a calibrated wrench retighten to the prescribed torque (see table) under the supervision of the Project Engineer.
  - f. Burr threads at junction with nut using a center punch to prevent nut loosening.
7. Use galvanized steel shims to obtain a tight fit between the column face and the sleeve. Place shims in all quadrants between the  $\frac{1}{2}$ "  $\Phi$  sleeve bolts. Use shims that are 1" shorter than the height of the sleeve.
8. Both fabricated and cast base assemblies were impact tested by the Texas Transportation Institute, College Station, TX on February 10, 2003, and both alternate assemblies were determined to be compliant with the performance recommendations of the National Cooperative Highway Research Program (NCHRP) report 350.



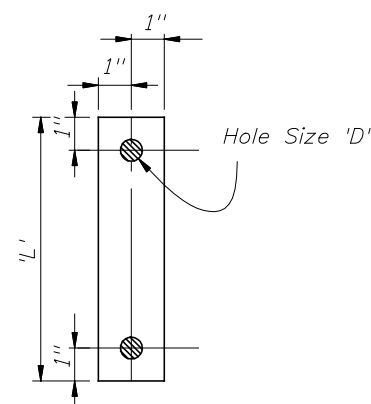
SLIP BASE AND FOOTING DETAIL IN CONCRETE  
(non-frangible post in crossovers, medians, & sidewalks)



DRIVEN POST DETAIL IN CONCRETE  
(frangible post in crossovers, medians, & sidewalks)



ALUMINUM SLEEVE & BASE PLATE DETAILS  
(DOUBLE BEVELED SLOTS)



0.0149" Thick Alum. Strip - 2 Req'd Per Base  
BOLT KEEPER PLATE DETAIL

**SLIP BASE DETAILS**

Column Size	Sleeve I.D. (Max)	Sleeve Height 'H'	Weld 'W'	Base Plate		Radius 'R'	Base Bolt		Base Plate Torque		Hole Size 'D'
				'L'	'T'		Size	Length	Ft-lbs	In-lbs	
4 x 1/4	4 1/16	6	5/8	8	3/4	11/32	5/8	3	29	345	11/16
4 1/2 x 1/4	4 9/16	6	5/8	8	7/8	11/32	5/8	3 1/4	29	345	11/16
5 x 1/4	5 1/16	7	5/8	8	7/8	11/32	5/8	3 1/4	29	345	11/16
6 x 1/4	6 1/16	8	11/16	9	1	13/32	3/4	3 1/2	46	554	13/16

Note: Unless notes otherwise, all dimensions are in inches.

**BASE AND FOUNDATION DETAILS**

REVISIONS			
DATE	BY	DESCRIPTION	
07/01/07	DYW	Deleted single bevel base plate detail.	

