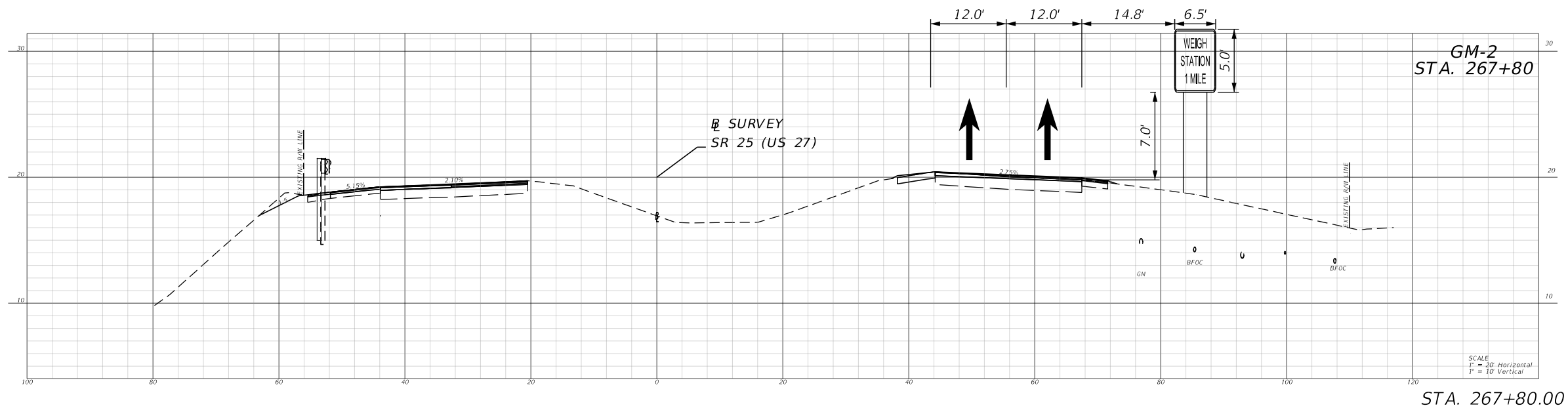


11/15/2023 4:16:39 PM tvalade
 c:\pw_working\drmp01\dms38156\Rd\sr25_Signs.dgn

| REVISIONS | | | | ENGINEER OF RECORD | | | STATE OF FLORIDA DEPARTMENT OF TRANSPORTATION | | | SIGN CROSS SECTION (01) | SHEET NO. |
|-----------|-------------|------|-------------|---|--|--|--|--------|----------------------|-------------------------|-----------|
| DATE | DESCRIPTION | DATE | DESCRIPTION | BHARATHI CHIGURUPATI, P.E. LICENSE NUMBER: P.E. 84860 DRMP, INC. 15310 AMBERLY DRIVE, SUITE 200 TAMPA, FL 33647 | | | ROAD NO. | COUNTY | FINANCIAL PROJECT ID | | |
| | | | | | | | SR 25 | HENDRY | 448938-1-52-01 | | 1 |

11/15/2023 4:16:41 PM tvalade
 c:\pw_working\drmp01\dms38156\Rd\sr25_Signs.dgn



| REVISIONS | | | |
|-----------|-------------|------|-------------|
| DATE | DESCRIPTION | DATE | DESCRIPTION |
| | | | |

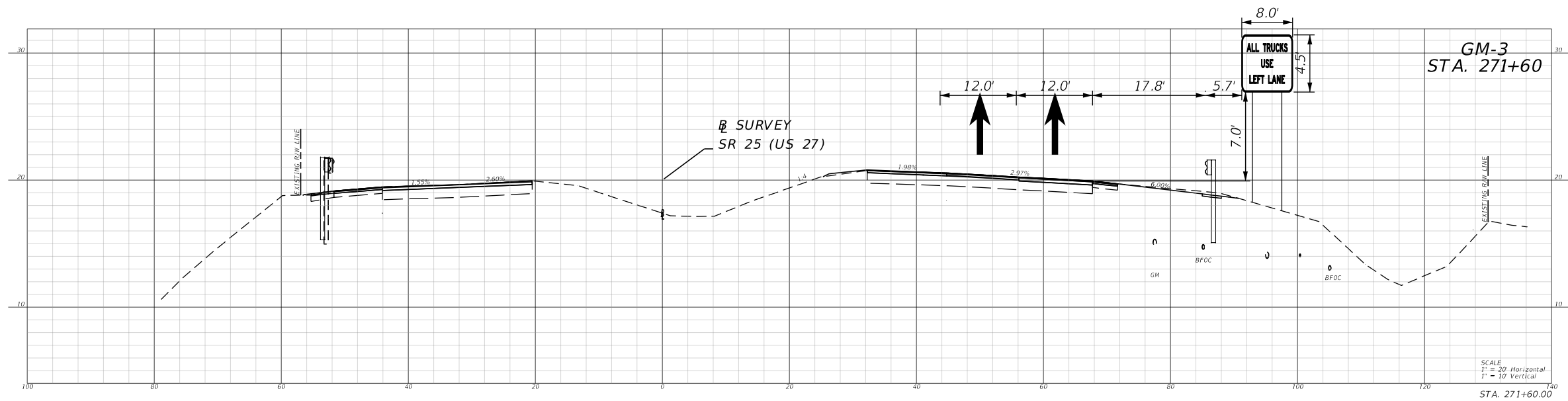
ENGINEER OF RECORD
 BHARATHI CHIGURUPATI, P.E.
 LICENSE NUMBER: P.E. 84860
 DRMP, INC.
 15310 AMBERLY DRIVE, SUITE 200
 TAMPA, FL 33647

| STATE OF FLORIDA DEPARTMENT OF TRANSPORTATION | | |
|--|--------|----------------------|
| ROAD NO. | COUNTY | FINANCIAL PROJECT ID |
| SR 25 | HENDRY | 448938-1-52-01 |

SIGN CROSS SECTION (02)

SHEET NO.
2

11/15/2023 4:16:46 PM tvalade
 c:\pw_working\drmp01\dms38156\Rd\sr25_Signs.dgn



| REVISIONS | | | |
|-----------|-------------|------|-------------|
| DATE | DESCRIPTION | DATE | DESCRIPTION |
| | | | |

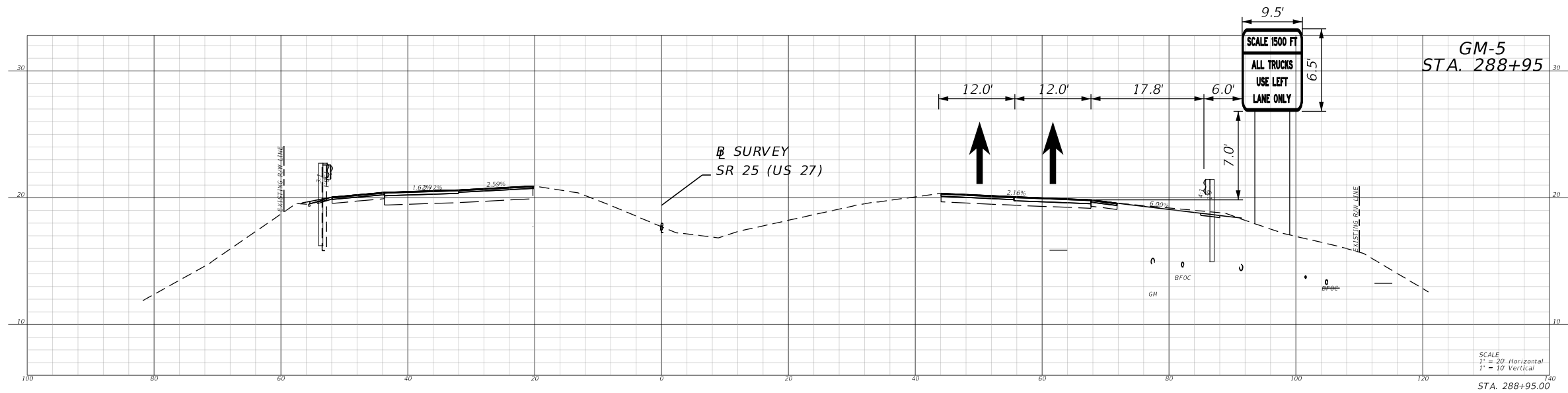
ENGINEER OF RECORD
 BHARATHI CHIGURUPATI, P.E.
 LICENSE NUMBER: P.E. 84860
 DRMP, INC.
 15310 AMBERLY DRIVE, SUITE 200
 TAMPA, FL 33647

| STATE OF FLORIDA DEPARTMENT OF TRANSPORTATION | | |
|--|--------|----------------------|
| ROAD NO. | COUNTY | FINANCIAL PROJECT ID |
| SR 25 | HENDRY | 448938-1-52-01 |

SIGN CROSS SECTION (03)

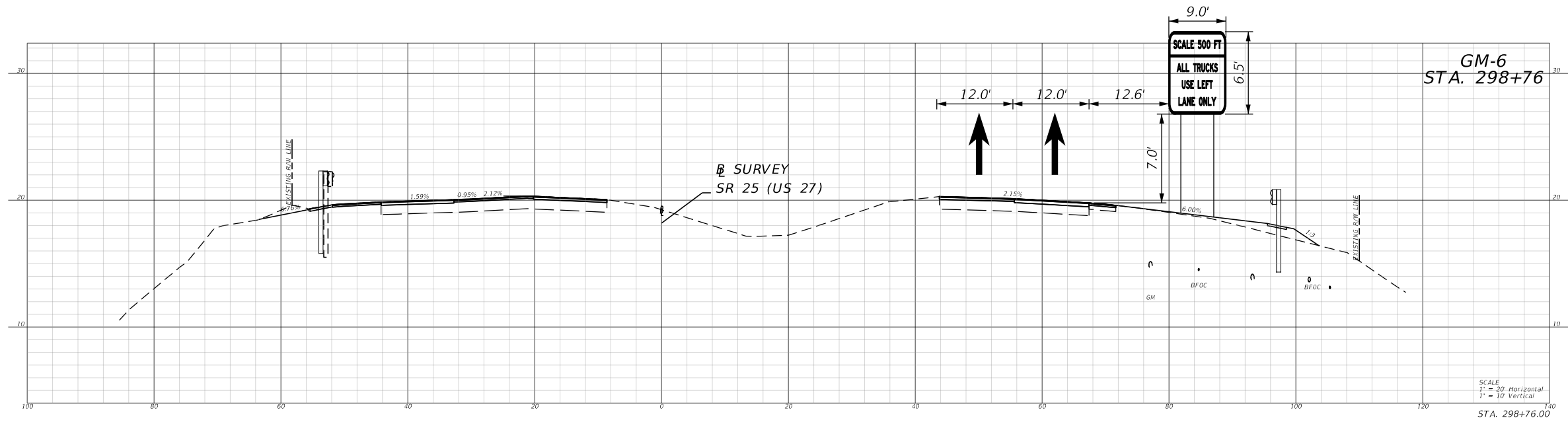
SHEET NO.
3

11/15/2023 4:16:52 PM tvalade
 c:\pw_working\drmp01\dms38156\Rd\sr25_Signs.dgn



| REVISIONS | | | | ENGINEER OF RECORD | | | STATE OF FLORIDA DEPARTMENT OF TRANSPORTATION | | | SIGN CROSS SECTION (05) | SHEET NO. |
|-----------|-------------|------|-------------|---|--|--|--|--------|----------------------|-------------------------|--------------|
| DATE | DESCRIPTION | DATE | DESCRIPTION | BHARATHI CHIGURUPATI, P.E. LICENSE NUMBER: P.E. 84860 DRMP, INC. 15310 AMBERLY DRIVE, SUITE 200 TAMPA, FL 33647 | | | ROAD NO. | COUNTY | FINANCIAL PROJECT ID | | |
| | | | | | | | SR 25 | HENDRY | 448938-1-52-01 | | 5 |

11/15/2023 4:16:54 PM tvalade
 c:\pw_working\drmp01\dms38156\Rd\sr25_Signs.dgn



| REVISIONS | | | |
|-----------|-------------|------|-------------|
| DATE | DESCRIPTION | DATE | DESCRIPTION |
| | | | |

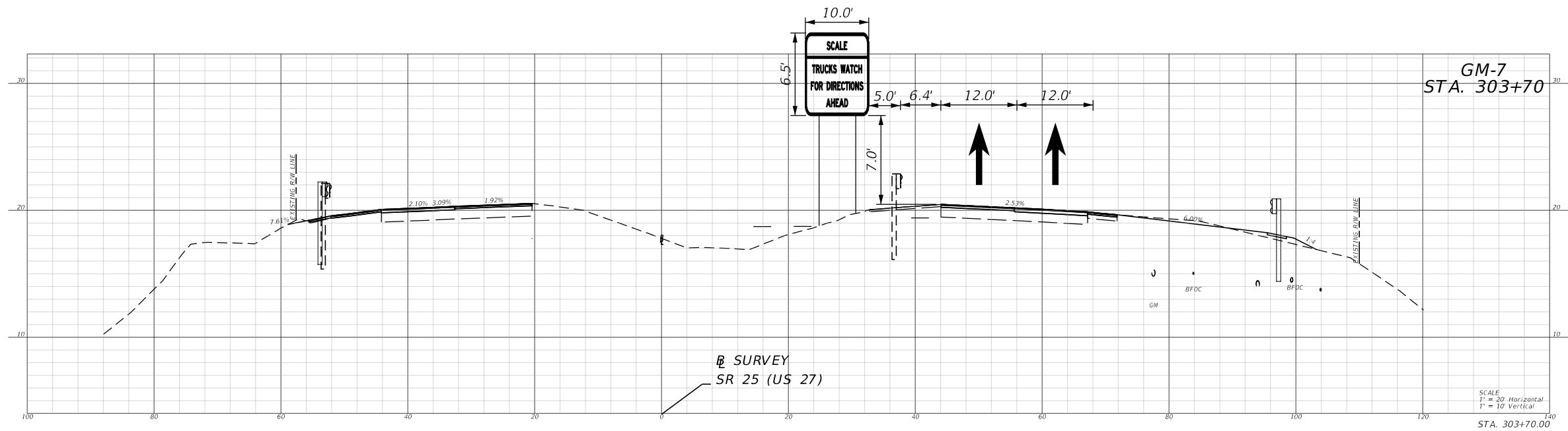
ENGINEER OF RECORD
 BHARATHI CHIGURUPATI, P.E.
 LICENSE NUMBER: P.E. 84860
 DRMP, INC.
 15310 AMBERLY DRIVE, SUITE 200
 TAMPA, FL 33647

| STATE OF FLORIDA DEPARTMENT OF TRANSPORTATION | | |
|--|--------|----------------------|
| ROAD NO. | COUNTY | FINANCIAL PROJECT ID |
| SR 25 | HENDRY | 448938-1-52-01 |

SIGN CROSS SECTION (06)

SHEET NO.
6

11/17/2023 3:47:25 PM BChigurupati
 c:\pw_working\drmp01\dms38156\Roadsrd_Signs.dgn



| REVISIONS | | REVISIONS | |
|-----------|-------------|-----------|-------------|
| DATE | DESCRIPTION | DATE | DESCRIPTION |
| | | | |

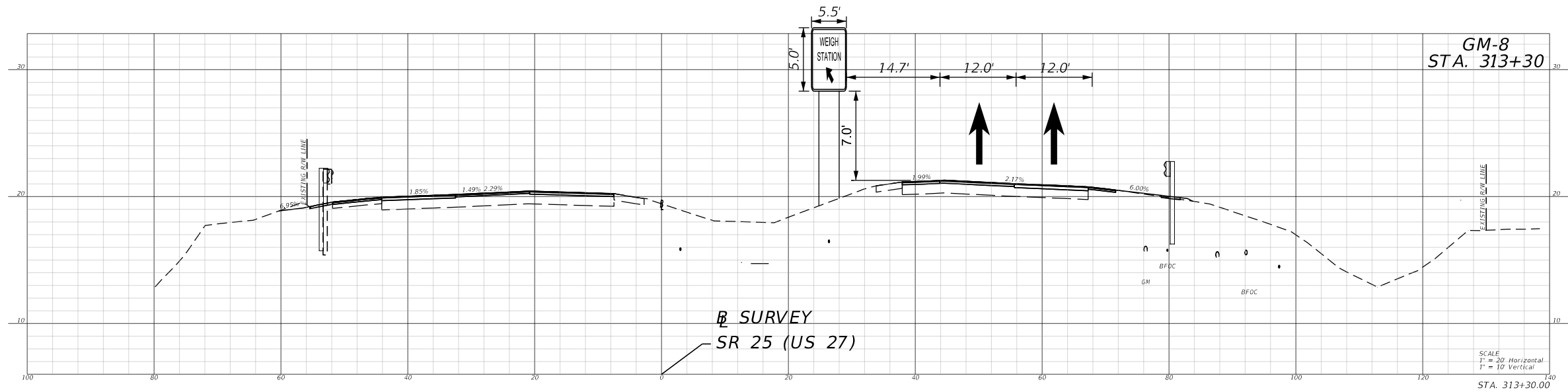
ENGINEER OF RECORD
 BHARATHI CHIGURUPATI, P.E.
 LICENSE NUMBER: P.E. 84860
 DRMP, INC.
 15310 AMBERLY DRIVE, SUITE 200
 TAMPA, FL 33647

| STATE OF FLORIDA DEPARTMENT OF TRANSPORTATION | | |
|--|--------|----------------------|
| ROAD NO. | COUNTY | FINANCIAL PROJECT ID |
| SR 25 | HENDRY | 448938-1-52-01 |

SIGN CROSS SECTION (07)

SHEET NO.
7

11/15/2023 4:17:01 PM tvalade
 c:\pw_working\drmp01\dms38156\Rd\sr25_Signs.dgn



| REVISIONS | | | |
|-----------|-------------|------|-------------|
| DATE | DESCRIPTION | DATE | DESCRIPTION |
| | | | |

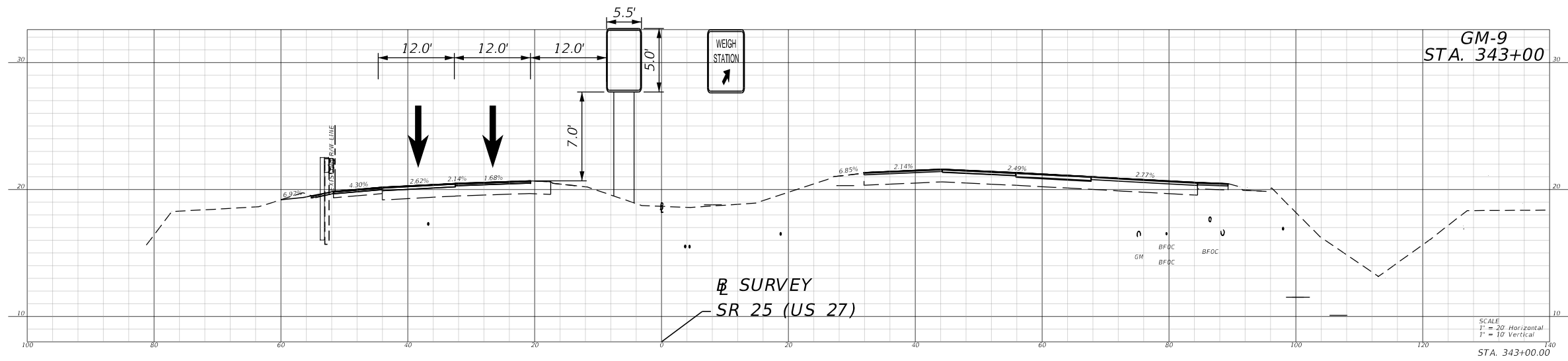
ENGINEER OF RECORD
 BHARATHI CHIGURUPATI, P.E.
 LICENSE NUMBER: P.E. 84860
 DRMP, INC.
 15310 AMBERLY DRIVE, SUITE 200
 TAMPA, FL 33647

| STATE OF FLORIDA DEPARTMENT OF TRANSPORTATION | | |
|--|--------|----------------------|
| ROAD NO. | COUNTY | FINANCIAL PROJECT ID |
| SR 25 | HENDRY | 448938-1-52-01 |

SIGN CROSS SECTION (08)

SHEET NO.
8

11/15/2023 4:17:06 PM tvalade
 c:\pw_working\drmp01\dms38156\Rd\srdr_Signs.dgn



| REVISIONS | | | |
|-----------|-------------|------|-------------|
| DATE | DESCRIPTION | DATE | DESCRIPTION |
| | | | |

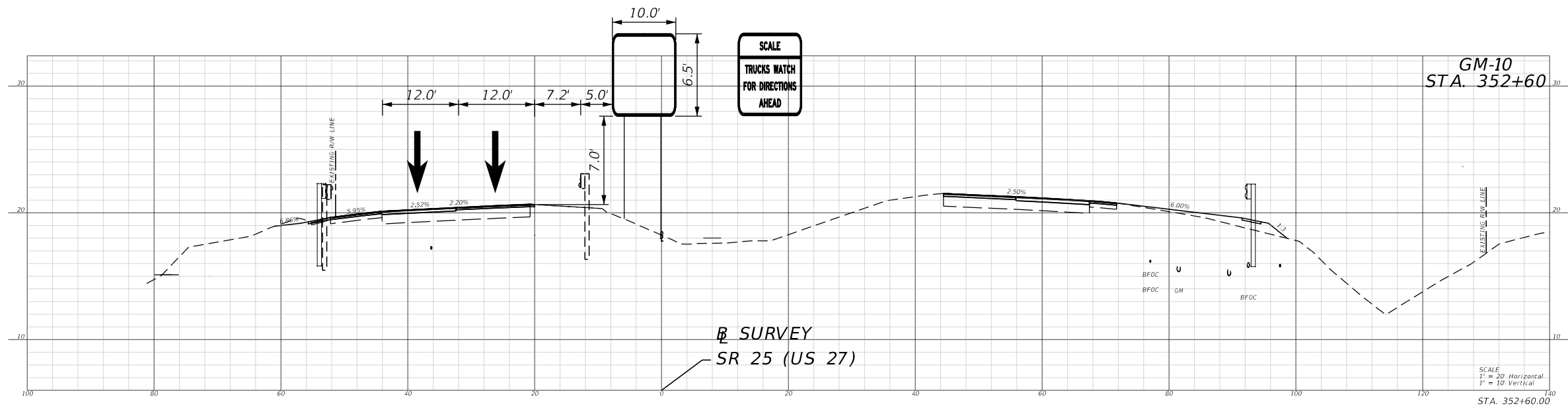
ENGINEER OF RECORD
 BHARATHI CHIGURUPATI, P.E.
 LICENSE NUMBER: P.E. 84860
 DRMP, INC.
 15310 AMBERLY DRIVE, SUITE 200
 TAMPA, FL 33647

| STATE OF FLORIDA DEPARTMENT OF TRANSPORTATION | | |
|--|--------|----------------------|
| ROAD NO. | COUNTY | FINANCIAL PROJECT ID |
| SR 25 | HENDRY | 448938-1-52-01 |

SIGN CROSS SECTION (09)

SHEET NO.
9

11/15/2023 4:17:09 PM tvalade
 c:\pw_working\drmp01\dms38156\Rd\sr25_Signs.dgn



| REVISIONS | | | |
|-----------|-------------|------|-------------|
| DATE | DESCRIPTION | DATE | DESCRIPTION |
| | | | |

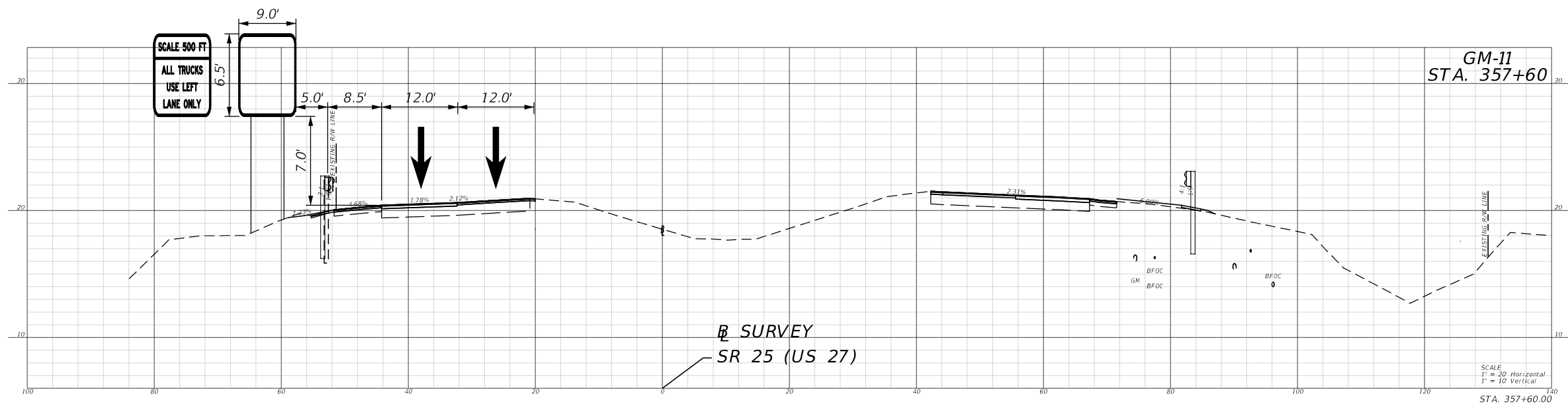
ENGINEER OF RECORD
 BHARATHI CHIGURUPATI, P.E.
 LICENSE NUMBER: P.E. 84860
 DRMP, INC.
 15310 AMBERLY DRIVE, SUITE 200
 TAMPA, FL 33647

| STATE OF FLORIDA DEPARTMENT OF TRANSPORTATION | | |
|--|--------|----------------------|
| ROAD NO. | COUNTY | FINANCIAL PROJECT ID |
| SR 25 | HENDRY | 448938-1-52-01 |

SIGN CROSS SECTION (10)

SHEET NO.
10

11/15/2023 4:17:14 PM tvalade
 c:\pw_working\drmp01\dms38156\Rd\sr25_Signs.dgn



| REVISIONS | | | |
|-----------|-------------|------|-------------|
| DATE | DESCRIPTION | DATE | DESCRIPTION |
| | | | |

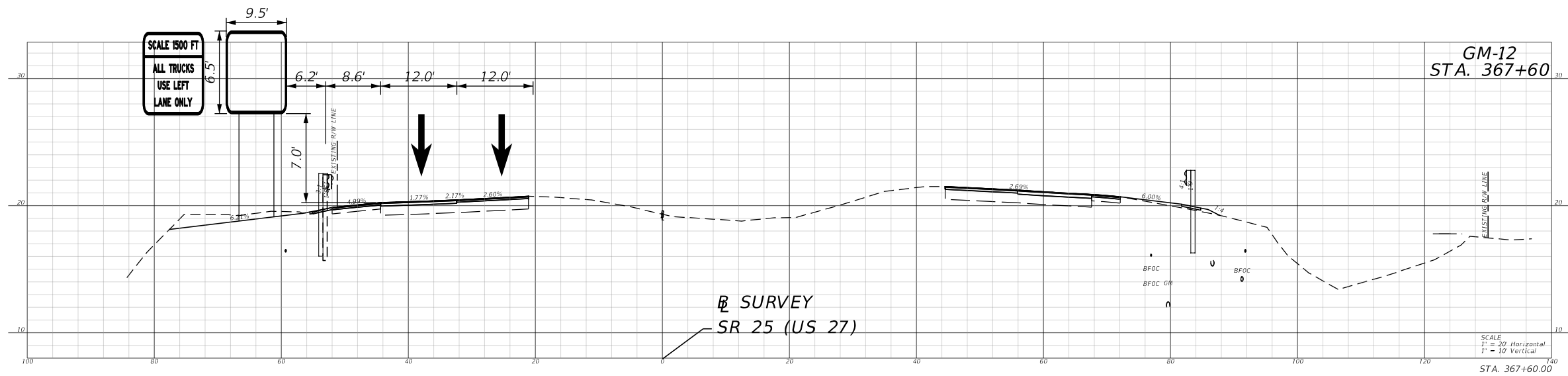
ENGINEER OF RECORD
 BHARATHI CHIGURUPATI, P.E.
 LICENSE NUMBER: P.E. 84860
 DRMP, INC.
 15310 AMBERLY DRIVE, SUITE 200
 TAMPA, FL 33647

| STATE OF FLORIDA DEPARTMENT OF TRANSPORTATION | | |
|--|--------|----------------------|
| ROAD NO. | COUNTY | FINANCIAL PROJECT ID |
| SR 25 | HENDRY | 448938-1-52-01 |

SIGN CROSS SECTION (11)

SHEET NO.
11

11/15/2023 4:17:17 PM tvalade
 c:\pw_working\drmp01\dms38156\Rd\srdr_Signs.dgn



| REVISIONS | | REVISIONS | |
|-----------|-------------|-----------|-------------|
| DATE | DESCRIPTION | DATE | DESCRIPTION |
| | | | |

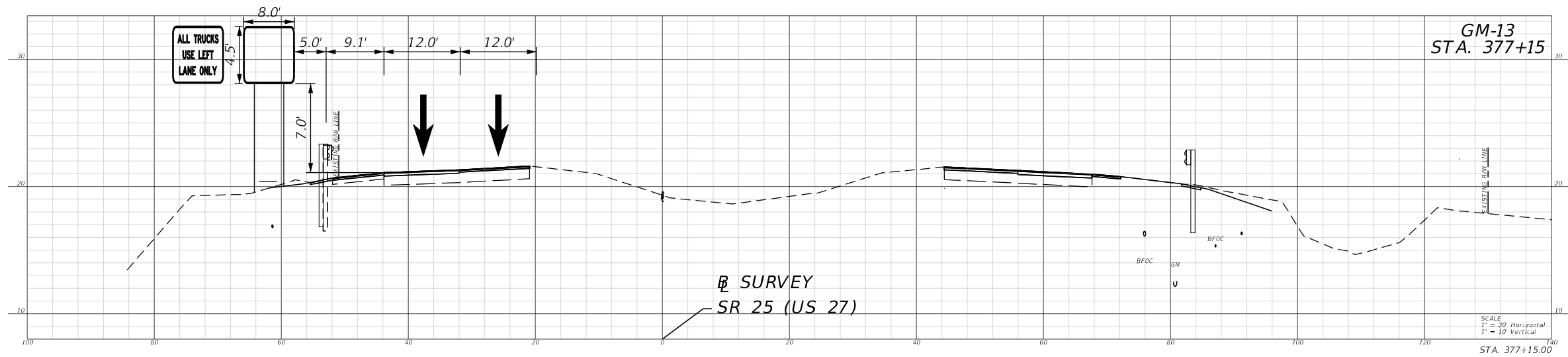
ENGINEER OF RECORD
 BHARATHI CHIGURUPATI, P.E.
 LICENSE NUMBER: P.E. 84860
 DRMP, INC.
 15310 AMBERLY DRIVE, SUITE 200
 TAMPA, FL 33647

| STATE OF FLORIDA DEPARTMENT OF TRANSPORTATION | | |
|--|--------|----------------------|
| ROAD NO. | COUNTY | FINANCIAL PROJECT ID |
| SR 25 | HENDRY | 448938-1-52-01 |

SIGN CROSS SECTION (12)

SHEET NO.
12

11/15/2023 4:17:20 PM tvalade
 c:\pw_working\drmp01\dms38156\Rd\srdr_Signs.dgn



| REVISIONS | | | |
|-----------|-------------|------|-------------|
| DATE | DESCRIPTION | DATE | DESCRIPTION |
| | | | |

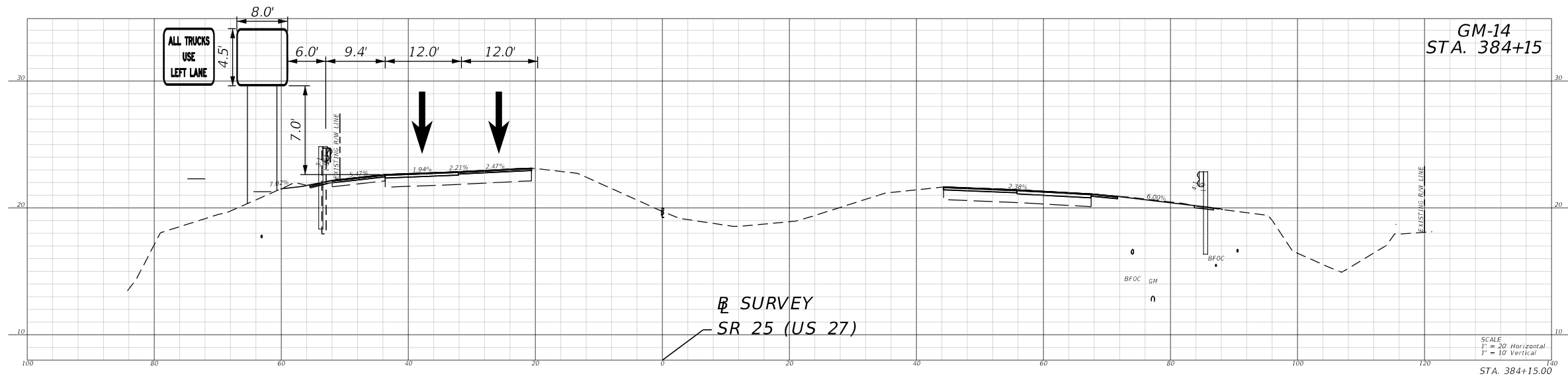
ENGINEER OF RECORD
 BHARATHI CHIGURUPATI, P.E.
 LICENSE NUMBER: P.E. 84860
 DRMP, INC.
 15310 AMBERLY DRIVE, SUITE 200
 TAMPA, FL 33647

| STATE OF FLORIDA DEPARTMENT OF TRANSPORTATION | | |
|--|--------|----------------------|
| ROAD NO. | COUNTY | FINANCIAL PROJECT ID |
| SR 25 | HENDRY | 448938-1-52-01 |

SIGN CROSS SECTION (13)

SHEET NO.
13

11/15/2023 4:17:22 PM tvalade
 c:\pw_working\drmp01\dms38156\Rd\srdr_Signs.dgn



| REVISIONS | | REVISIONS | |
|-----------|-------------|-----------|-------------|
| DATE | DESCRIPTION | DATE | DESCRIPTION |
| | | | |

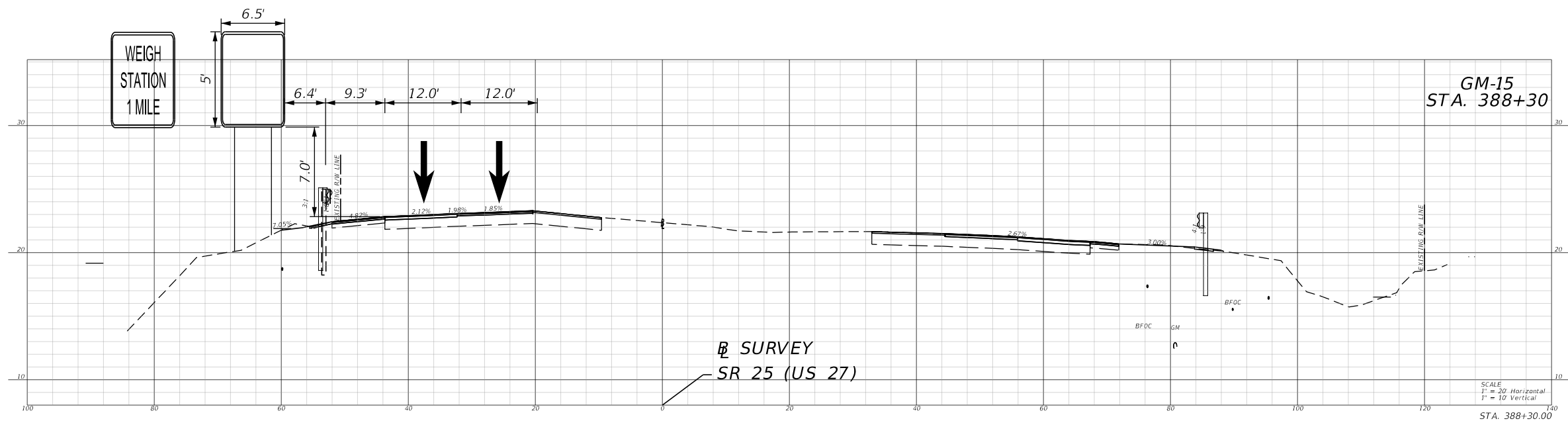
ENGINEER OF RECORD
 BHARATHI CHIGURUPATI, P.E.
 LICENSE NUMBER: P.E. 84860
 DRMP, INC.
 15310 AMBERLY DRIVE, SUITE 200
 TAMPA, FL 33647

| STATE OF FLORIDA DEPARTMENT OF TRANSPORTATION | | |
|--|--------|----------------------|
| ROAD NO. | COUNTY | FINANCIAL PROJECT ID |
| SR 25 | HENDRY | 448938-1-52-01 |

SIGN CROSS SECTION (14)

SHEET NO.
14

11/15/2023 4:17:25 PM tvalade
 c:\pw_working\drmp01\dms38156\RdAsrd_Signs.dgn



| REVISIONS | | | |
|-----------|-------------|------|-------------|
| DATE | DESCRIPTION | DATE | DESCRIPTION |
| | | | |

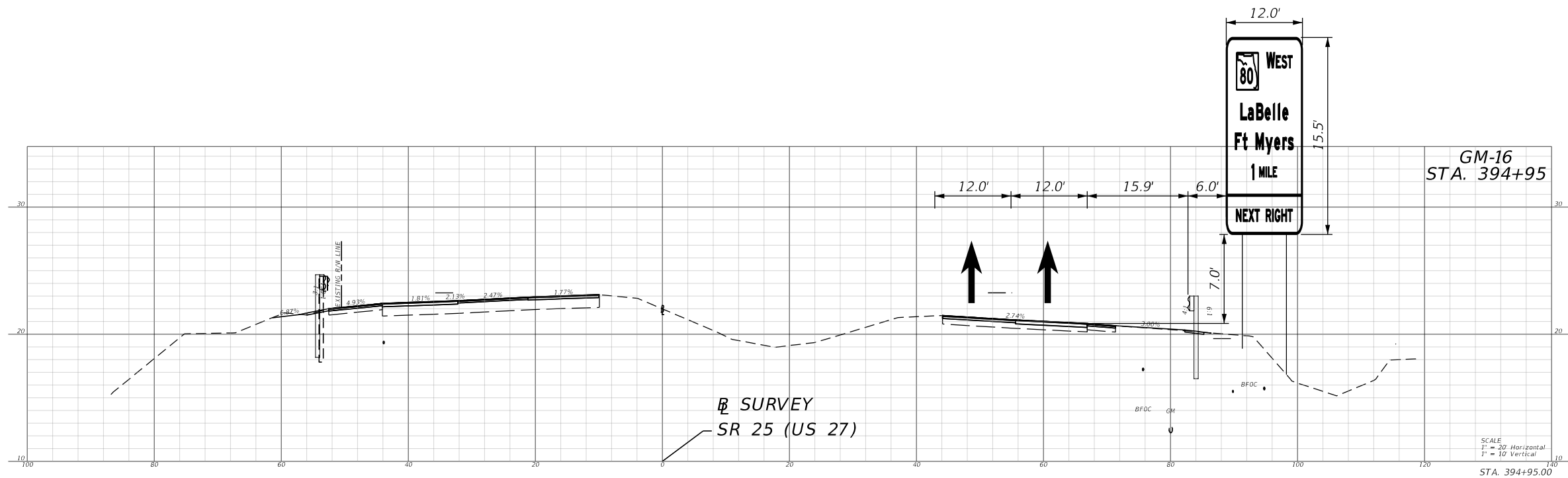
ENGINEER OF RECORD
 BHARATHI CHIGURUPATI, P.E.
 LICENSE NUMBER: P.E. 84860
 DRMP, INC.
 15310 AMBERLY DRIVE, SUITE 200
 TAMPA, FL 33647

| STATE OF FLORIDA DEPARTMENT OF TRANSPORTATION | | |
|--|--------|----------------------|
| ROAD NO. | COUNTY | FINANCIAL PROJECT ID |
| SR 25 | HENDRY | 448938-1-52-01 |

SIGN CROSS SECTION (15)

SHEET NO.
15

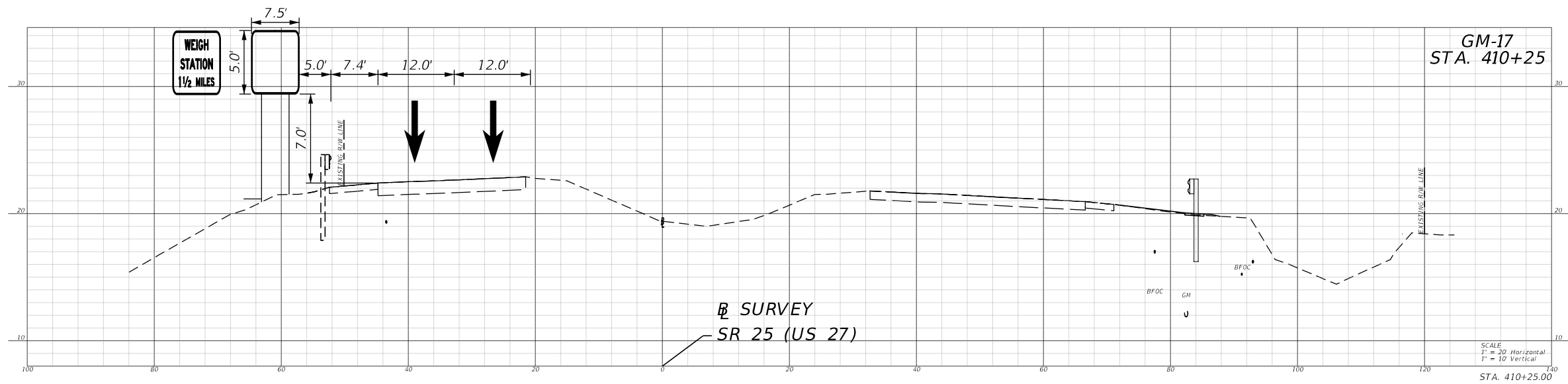
11/15/2023 4:17:28 PM tvalade
 c:\pw_working\drmp01\dms38156\RdAsrd_Signs.dgn



SCALE
 1" = 20' Horizontal
 1" = 10' Vertical
 STA. 394+95.00

| REVISIONS | | | | ENGINEER OF RECORD | | STATE OF FLORIDA DEPARTMENT OF TRANSPORTATION | | | SIGN CROSS SECTION (16) | SHEET NO. |
|-----------|-------------|------|-------------|---|--|--|--------|----------------------|-------------------------|-----------|
| DATE | DESCRIPTION | DATE | DESCRIPTION | BHARATHI CHIGURUPATI, P.E. LICENSE NUMBER: P.E. 84860 DRMP, INC. 15310 AMBERLY DRIVE, SUITE 200 TAMPA, FL 33647 | | ROAD NO. | COUNTY | FINANCIAL PROJECT ID | | 16 |
| | | | | | | SR 25 | HENDRY | 448938-1-52-01 | | |

11/15/2023 4:17:30 PM tvalade
 c:\pw_working\drmp01\dms38156\Rd\srdr_Signs.dgn



| REVISIONS | | | |
|-----------|-------------|------|-------------|
| DATE | DESCRIPTION | DATE | DESCRIPTION |
| | | | |

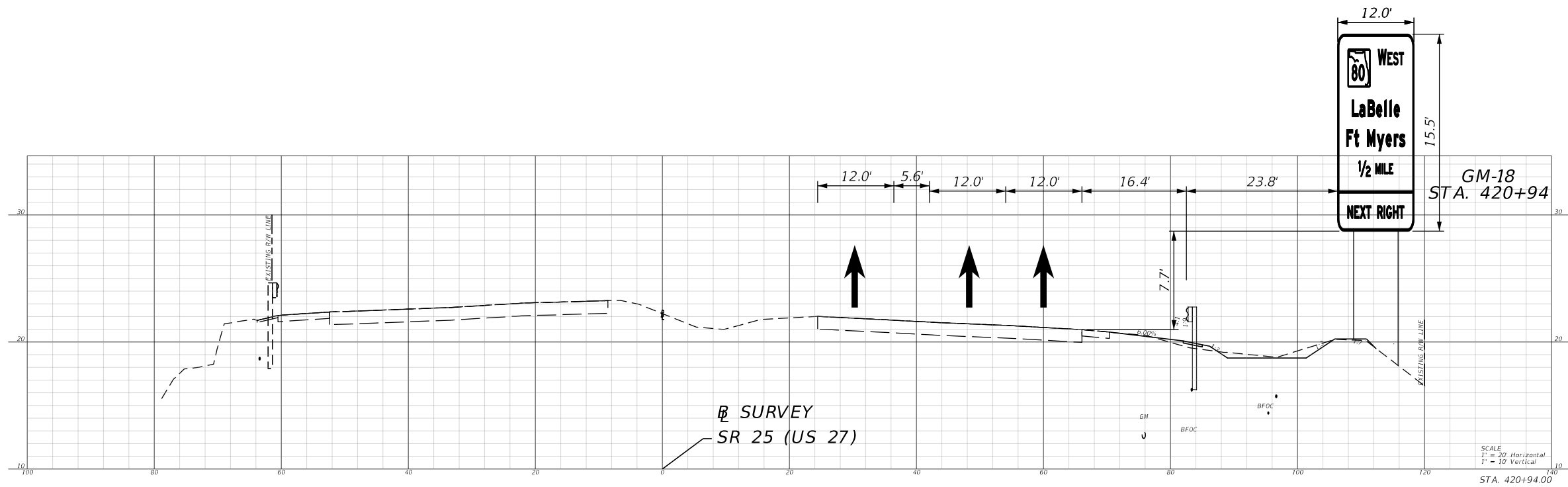
ENGINEER OF RECORD
 BHARATHI CHIGURUPATI, P.E.
 LICENSE NUMBER: P.E. 84860
 DRMP, INC.
 15310 AMBERLY DRIVE, SUITE 200
 TAMPA, FL 33647

| STATE OF FLORIDA DEPARTMENT OF TRANSPORTATION | | |
|--|--------|----------------------|
| ROAD NO. | COUNTY | FINANCIAL PROJECT ID |
| SR 25 | HENDRY | 448938-1-52-01 |

SIGN CROSS SECTION (17)

SHEET NO.
17

11/15/2023 4:17:33 PM tvalade
 c:\pw_working\drmp01\dms38156\Rd\srdr_Signs.dgn



| REVISIONS | | | |
|-----------|-------------|------|-------------|
| DATE | DESCRIPTION | DATE | DESCRIPTION |
| | | | |

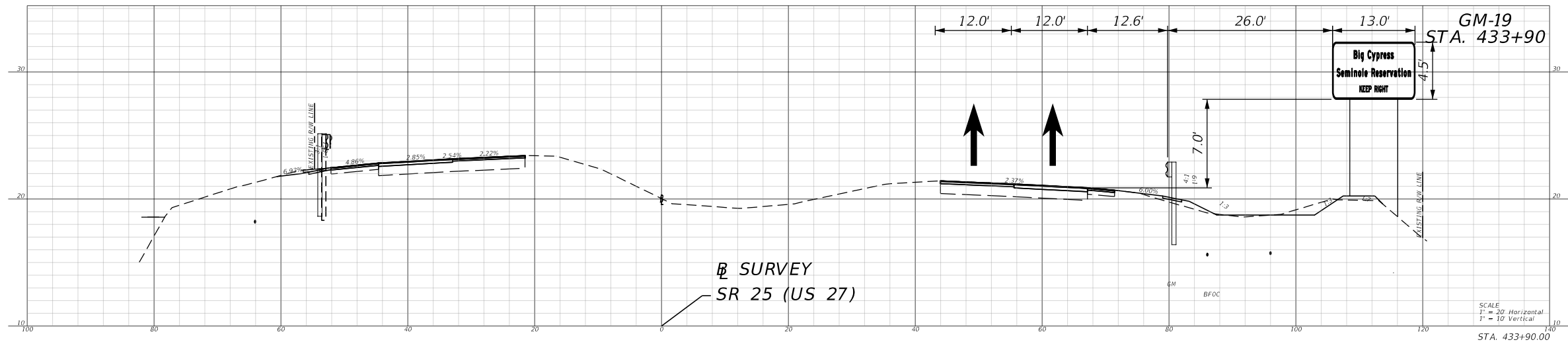
ENGINEER OF RECORD
 BHARATHI CHIGURUPATI, P.E.
 LICENSE NUMBER: P.E. 84860
 DRMP, INC.
 15310 AMBERLY DRIVE, SUITE 200
 TAMPA, FL 33647

| STATE OF FLORIDA DEPARTMENT OF TRANSPORTATION | | |
|--|--------|----------------------|
| ROAD NO. | COUNTY | FINANCIAL PROJECT ID |
| SR 25 | HENDRY | 448938-1-52-01 |

SIGN CROSS SECTION (18)

SHEET NO.
 18

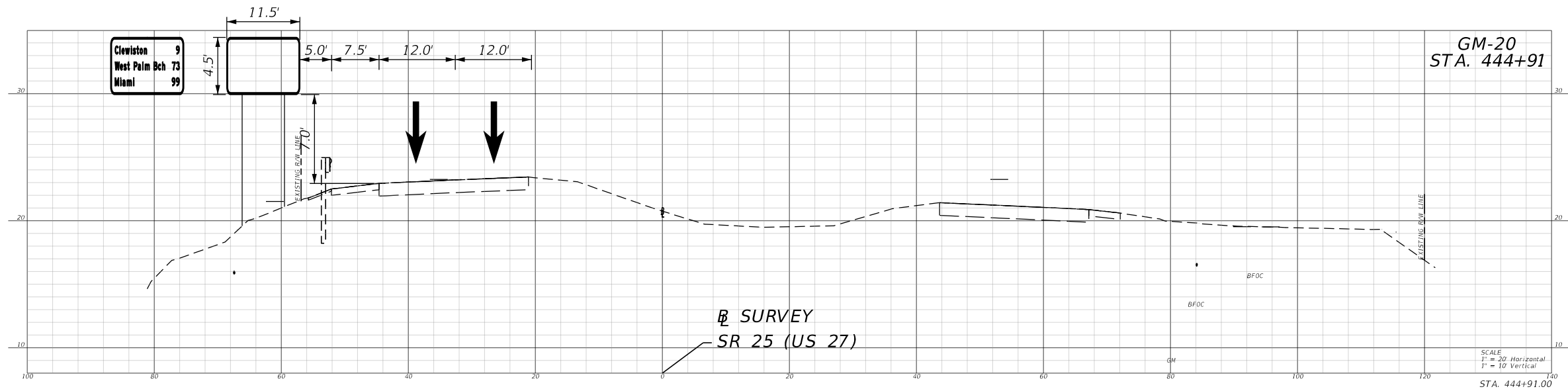
11/15/2023 4:17:36 PM tvalade
 c:\pw_working\drmp01\dms38156\Rd\srdr_Signs.dgn



SCALE
 1" = 20' Horizontal
 1" = 10' Vertical

| REVISIONS | | | | ENGINEER OF RECORD | | STATE OF FLORIDA DEPARTMENT OF TRANSPORTATION | | | SIGN CROSS SECTION (19) | SHEET NO. |
|-----------|-------------|------|-------------|---|--|--|----------|--------|-------------------------|----------------------|
| DATE | DESCRIPTION | DATE | DESCRIPTION | | | | ROAD NO. | COUNTY | | FINANCIAL PROJECT ID |
| | | | | BHARATHI CHIGURUPATI, P.E. LICENSE NUMBER: P.E. 84860 DRMP, INC. 15310 AMBERLY DRIVE, SUITE 200 TAMPA, FL 33647 | | | SR 25 | HENDRY | | 448938-1-52-01 |

11/15/2023 4:17:38 PM tvalade
 c:\pw_working\drmp01\dms38156\Rd\srdr_Signs.dgn



| | |
|---------------|----|
| Clewiston | 9 |
| West Palm Bch | 73 |
| Miami | 99 |

GM-20
 STA. 444+91

SR SURVEY
 SR 25 (US 27)

SCALE
 1" = 20' Horizontal
 1" = 10' Vertical
 STA. 444+91.00

| REVISIONS | | | | ENGINEER OF RECORD | | STATE OF FLORIDA DEPARTMENT OF TRANSPORTATION | | | SIGN CROSS SECTION (20) | SHEET NO. |
|-----------|-------------|------|-------------|---|--|--|--------|----------------------|-------------------------|-----------|
| DATE | DESCRIPTION | DATE | DESCRIPTION | BHARATHI CHIGURUPATI, P.E. LICENSE NUMBER: P.E. 84860 DRMP, INC. 15310 AMBERLY DRIVE, SUITE 200 TAMPA, FL 33647 | | ROAD NO. | COUNTY | FINANCIAL PROJECT ID | | 20 |
| | | | | | | SR 25 | HENDRY | 448938-1-52-01 | | |