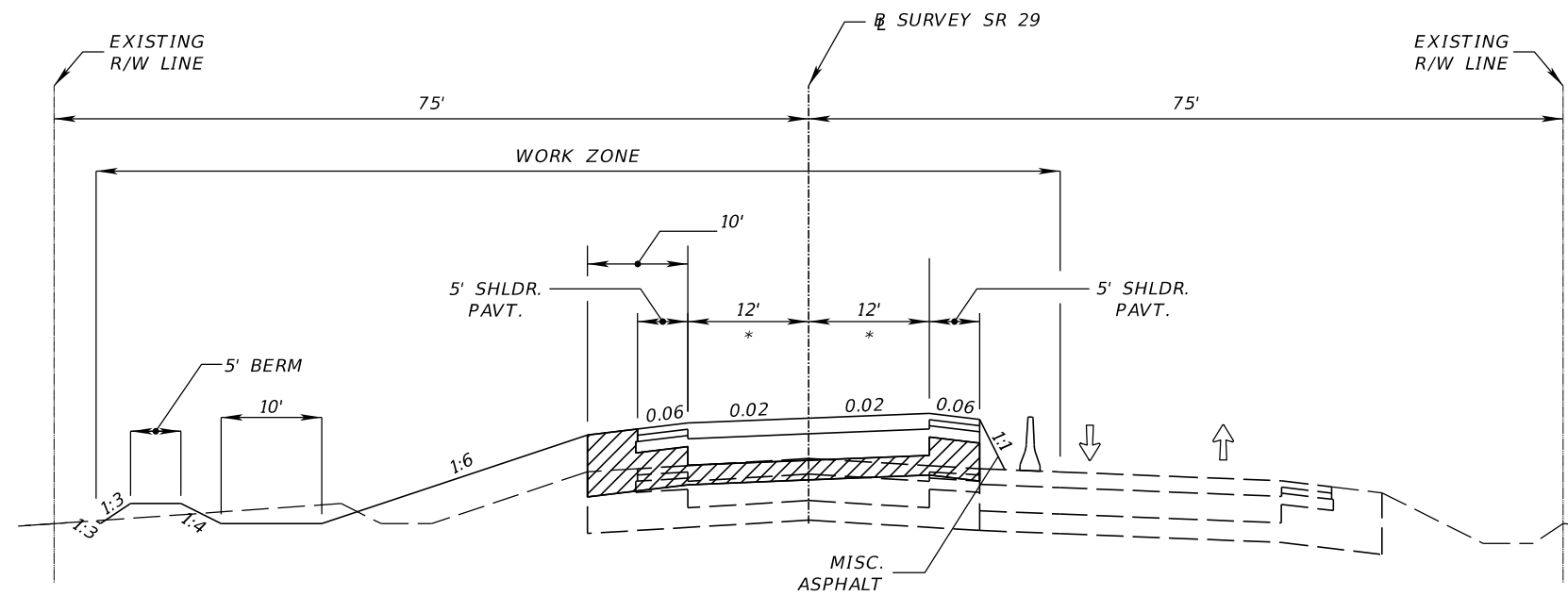


REVISIONS				STATE OF FLORIDA DEPARTMENT OF TRANSPORTATION			TYPICAL SECTION PHASE I	SHEET NO.
DATE	DESCRIPTION	DATE	DESCRIPTION	ROAD NO.	COUNTY	FINANCIAL PROJECT ID		
				SR 29	GLADES	449149-1-52-01		1



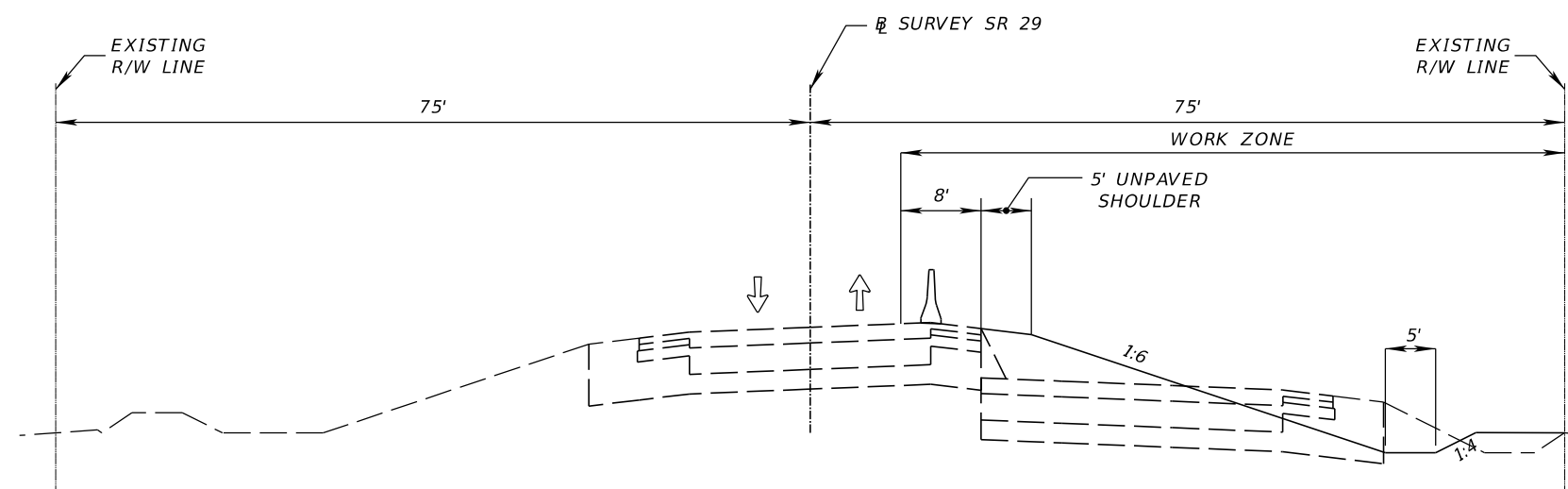
REVISIONS			
DATE	DESCRIPTION	DATE	DESCRIPTION

--

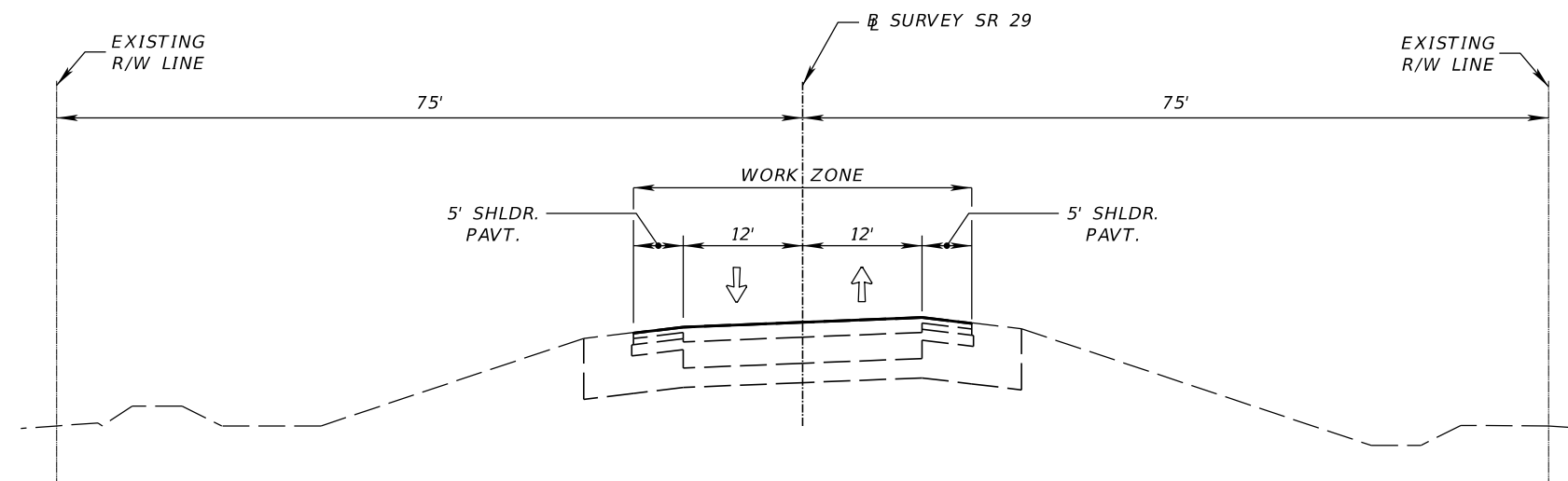
STATE OF FLORIDA DEPARTMENT OF TRANSPORTATION		
ROAD NO.	COUNTY	FINANCIAL PROJECT ID
SR 29	GLADES	449149-1-52-01

<p>TYPICAL SECTION PHASE II</p>

SHEET NO.
2



REVISIONS				STATE OF FLORIDA DEPARTMENT OF TRANSPORTATION			TYPICAL SECTION PHASE III	SHEET NO.
DATE	DESCRIPTION	DATE	DESCRIPTION	ROAD NO.	COUNTY	FINANCIAL PROJECT ID		
				SR 29	GLADES	449149-1-52-01		3



REVISIONS				STATE OF FLORIDA DEPARTMENT OF TRANSPORTATION			TYPICAL SECTION PHASE IV	SHEET NO.
DATE	DESCRIPTION	DATE	DESCRIPTION	ROAD NO.	COUNTY	FINANCIAL PROJECT ID		
				SR 29	GLADES	449149-1-52-01		4