

FLORIDA DEPARTMENT OF TRANSPORTATION

BRIDGE LOAD RATING MANUAL, 2021



Trammel Bridge, SR20 westbound over Apalachicola River



Chapter 1: Introduction

PURPOSE

This **Manual** provides guidance on bridge load rating in Florida. Load rating analysis approximates safe carrying capacity for bridges, establishes posting restrictions, and estimates strength for permit routing. Such analysis directly supports the Department's Mission, to "... provide a safe transportation system that ensures the mobility of people and goods, enhances economic prosperity, and preserves the quality of our environment and communities."

AUTHORITY

Sections 20.23(3)(a), and 334.048(3), Florida Statutes, (F.S.)

REFERENCE

The *Manual of Uniform Minimum Standards for Design, Construction, and Maintenance for Streets and Highways* (commonly known as the "Florida Greenbook") requires load rating for all bridges in Florida. This **Manual** establishes "...uniform minimum standards and criteria for the design, construction, maintenance, and operation of public roads..." for bridge load rating, as part of the Departmental powers and duties described by Florida Statutes 334.044.

SCOPE

The principal users of this **Manual** will be all persons involved in bridge load rating in Florida.

DISTRIBUTION

Submit suggestions, and requests for clarification, to the State Load Rating Engineer at CO-LoadRating@dot.state.fl.us. This **Manual**, and associated materials (archives, references, Excel Load Rating Summary Form, and examples), are available for download at <http://www.fdot.gov/maintenance/LoadRating.shtm>.

PROCEDURE FOR REVISIONS AND UPDATES

Permanent Technical Revisions to this **Manual** are made annually, or “as-needed.” Proposed Revisions are discussed at each Department Load Rating Meeting, held quarterly. Meetings are attended by the District Structures Maintenance Engineers, their designated staff specializing in load rating, and a representative of the State Structures Design Office, who constitute the Load Rating Manual Committee. The Committee builds consensus, and uses the Online Review System to comment on Draft Revisions.

Adoption of a Revision is accomplished by responding to all comments submitted by the Committee, and issuing a Memorandum of Adoption endorsed by the State Structures Maintenance Engineer. The Memorandum outlines revisions, provides rationale, and issues directives for implementation. All Load Rating Revisions to this **Manual** will be published by the Office of Maintenance. The Forms and Procedures Office will update the effective date of the revised **Manual**.

DEFINITIONS AND TERMINOLOGY

BrM/BMS—bridge data management software and databases from AASHTOWare Bridge Management (BrM) and FDOT Bridge Management System (BMS).

Design Load—standard live loading for which the structure was designed or appraised. Design Loads are collections of fictitious trucks and point-and-lane loads, which describe or “envelope” real trucks. A Design Load is assessed at two Rating Levels, Inventory and Operating, defined below.

Load Rating—live load carrying capacity of a bridge.

Load Rating Method, Allowable Stress Rating (ASR)—limits capacity to an allowable stress. Dead loads are unfactored, and live loads are factored with impact. In Florida, ASR load ratings use the HS20 Design Load. ASR follows AASHTO Standard Specifications for Highway Bridges, and MBE Part B.

Load Rating Method, Load Factor Rating (LFR)—uses ultimate strength capacity and factored loading. LFR also incorporates ASR, for some bridge types. In Florida, LFR load ratings use the HS20 Design Load. LFR follows AASHTO Standard Specifications for Highway Bridges, and MBE Part B.

Load Rating Method, Load and Resistance Factor Rating (LRFR)—load rating method similar to LFR, using more complex factors informed by reliability statistics and refined analysis. LRFR uses the HL93 Design Load. LRFR follows AASHTO LRFD Bridge Design Specifications, and MBE Part A.

Rating Level—safety level of the live load capacity for a highway bridge.

Rating Level, Inventory—unlimited application of live loads at this level will not damage the bridge. This is the lowest rating. Permissible stressing is minimized.

Rating Level, Operating—unlimited application of live loads at this level may shorten the life of the bridge. This is the highest rating. Permissible stressing is maximized.

Rating Level, Legal—in Florida, excepting LRFR Steel Service, the Legal Level is equivalent to the Operating Level. Florida has 7 Legal Loads, described in the Appendix to this *Manual*, which envelope the truck configurations permitted by Florida law.

Rating Level, Routine Permit—in Florida, excepting certain LRFR Service tests, the Routine Permit Level is equivalent to the Operating Level. Florida uses the FL120 Routine Permit Vehicle as a reference vehicle, to infer ratings for other permit trucks.

Rating Level, Emergency Vehicle (EV)—for LFR, the EV Level is equivalent to the Operating Level. For LRFR, excepting slightly different Strength load factors, the EV Level is equivalent to the Routine Permit Level. For both LFR and LRFR, special posting avoidance measures apply.

National Bridge Inventory (NBI)—data required to fulfill the National Bridge Inspection Standards. For a description of the NBI data fields, see the FDOT Bridge Management System Coding Guide, referenced below.

Rating—rated capacity in tons, equivalent to (Gross Vehicle Weight)·(Rating Factor).

Rating Factor (RF)—(Capacity – Dead Load) / (Live Load). Each component of the RF equation is factored.

REFERENCES

Links for the following references are at:

<http://www.fdot.gov/maintenance/LoadRating.shtm>

AASHTO LRFD Bridge Design Specifications (LRFD), 8th Ed.

AASHTO Manual for Bridge Evaluation (MBE), 3rd Ed. with 19' Interims.

AASHTO Standard Spec. for Highway Bridges (Std.Spec.), 17th Ed. with 2005 Interims.

FDOT Bridge and Other Structures Inspection and Reporting Procedure, 850-010-030.

FDOT Bridge Management System Coding Guide (BMS).

FDOT Construction Project Administration Manual (CPAM).

FDOT Design Manual (FDM), 2020.

FDOT Standard Specifications for Road and Bridge Construction, 2019.

FDOT Structures Manual Volume 1, Structures Design Guidelines (SDG), 2020.

Manual of Uniform Minimum Standards for Design, Construction and Maintenance for Streets and Highways (GREENBOOK), 2016.

Chapter 2: Load Rating Process and Procedure

CONCEPTS

Utilizing engineering judgment, identify components that may control the load rating, and analyze those components for all applicable limit states and vehicles until the governing member(s) are found. Before confining the analysis to the superstructure, consider the substructure. For example rotted timber piles, settlement, excessive scour, or distressed pile caps would all warrant additional consideration.

Accurate load ratings are essential to permit routing. Operating and FL120 results are used to route permit overloads on State highways in Florida. Overloads include blanket permits, like cranes, and special trip permits, such as bridge girder deliveries.

Use an appropriate level of analysis to establish a safe load carrying capacity that does not unduly restrict legal and permit traffic. Begin with a simplified level of analysis. Refine the analysis as necessary to provide a more accurate load rating. “As necessary” means:

1. Appropriately consider posting avoidance.
2. Apply additional scrutiny to results that markedly differ from the Design Load.
3. Apply refinements to results that obviously mischaracterize the safe carrying capacity of the bridge.

Adopt one method of analysis, and do not report a mixed-method summary. For example, if the HL93 Inventory rating uses refined distribution, then the HL93 Operating and FL120 Permit ratings also require refined distribution. Be consistent. The governing methodology and distribution shall apply to the entire structure. While the contents of an analysis may explore several methods, clearly and consistently state which method was ultimately adopted, and which results govern.

DEFINITION, COMPLETE LOAD RATING

A complete load rating is a high-quality PDF report, wherein any scans are 300dpi+ and 75%+ quality compression. Seal digital deliveries unlocked; this retains the original document ("view sealed version"), but permits subsequent comments. Limit each report to a single bridge. Contents include:

1. **SUMMARY.** Load rating summary form (Excel), sealed by a Florida P.E.
2. **NARRATIVE.** Brief description of inspection findings, methodology, and assumptions.
3. **PLANS.** Plan sheets required to perform the analysis (not the entire plan set).
4. **CALCULATIONS.** Inputs, intermediate calculations, and summarized outputs.
5. **QUICK CHECK.** At a minimum, confirmation of the governing HS20 or HL93 Operating Rating; show the factored components of the rating factor equation. A more comprehensive check is recommended, especially when results significantly differ from the original Design Load increased to the Operating Level.

Additionally, submit all software inputs in native ready-to-run format. Exceptions include hand calculations, and proprietary worksheets that are sufficiently transparent.

DEFINITION, DESIGN LOAD RATING

A Design Rating considers all construction phases open to public traffic. If the HS20 or FL120 rating for one of the construction phases open to public traffic is substantively less (10% or worse) than the anticipated final condition, then the Design Rating reports the worst construction phase on its sealed load rating summary, and includes an unsealed load rating summary for the anticipated Final condition. Otherwise, a Design Rating reports the final condition.

DEFINITION, AS-BUILT LOAD RATING

Typically, an As-Built Load Rating confirms that the Design Load Rating remains valid, and a sealed summary form indicating it is reflective of the As-Built conditions will suffice. However, if the Engineer of Record (EOR) finds that (1) the As-Built condition substantively differs from Design, or (2) the Design rating was governed by a construction phase, or (3) the Design Load Rating is more than 5 years old, then an As-Built load rating revises the Design Load Rating.

DEFINITION, AS-BUILT DOCUMENTS PACKAGE

The As-Built Structure Documents Package contains select bridge records that the District Structures Maintenance Office (DSMO) is required to store for the life of the bridge (MBE Section 2). For FDOT projects, follow the CPAM. For other projects, the package is a ZIP archive containing one bridge; PDF contents are either direct-to-pdf, or scanned at 300dpi+ and 75%+ quality compression. The package contains:

1. Foundation records: pile driving records, shaft tip elevations, and boring logs.
2. Structure plans: shop drawings, and As-Built plans (alternatively sealed design plans, with a summary of construction changes).
3. For bridges traversing water, a sealed Hydraulic analysis plan sheet.
4. For highway bridges, a signed sealed and dated As-Built load rating. For pedestrian bridges, signed sealed and dated design calculations.

TABLE 2-1—EXISTING BRIDGES

PHASE	ACTION
NBI Inspection	<p>In BrM Inspection Notes, state whether the current load rating is complete and applicable. The note should indicate who made the determination, and when.</p> <p>“Complete” means that the rating complies with the rules¹ that were in effect when the rating was performed. Historic ratings shall, at a minimum, include a summary and calculations. “Applicable” means that the configuration and condition of the bridge has not substantially changed, since the calculations were performed.</p> <p>If the analysis is incomplete or inapplicable, notify the District Structures Maintenance Engineer and begin revisions.</p>
Load Rating Revision	<p>Within 90 days of the date that the NBI Inspection Report was sealed, or earlier as the District Structures Maintenance Engineer determines for emergencies, (1) Revisions are to be completed and input into BrM/BMS, and (2) If the analysis recommends posting for weight, a notification shall be sent to the bridge Owner.</p>
Posting	<p>Posting deficiencies shall be addressed within 30 days of receipt of notification to the bridge Owner; see Chapter 7 of this <i>Manual</i>.</p>

1. From time-to-time, interim revisions are required. For example, all structures with transverse floorbeams are required to report transverse data.

TABLE 2-2—WIDENINGS, REHABILITATIONS, AND NEW BRIDGES

PHASE	ACTION	RESPONSE, LOAD RATING SPECIALIST
90% Superstructure Plans	EOR – Submit ¹ Draft Load Rating	Within 30 days, review and return comments to the designer or analyst.
Final Plans (Design-Bid-Build), or Released for Construction (Design-Build)	EOR – Submit ¹ sealed Design Load Rating	Within 14 days: <ul style="list-style-type: none"> • Confirm that review comments were addressed, and respond with a receipt to the EOR. If the rating is acceptable, archive it to EDMS. Otherwise request revisions. • Determine whether the new load rating applies. At a strengthening project, for example, the new rating will not apply until that strengthening has occurred. • Document the determination in BrM Structures Notes, and accordingly update or retain the BrM/BMS load rating data.
Superstructure Nearing Completion	CEI – Submit ¹ the As-Built Documents Package	Determine whether the As-Built Documents Package is complete. If so, confirm the schedule for the final inspection. Otherwise, specify insufficiencies within the As-Built Documents Package, schedule a safety inspection, and establish a timeline for completion.
Superstructure Complete	LEAD BRIDGE INSPECTOR – Submit ¹ draft inspection	When the initial NBI inspection occurs, or before, apply the As-Built load rating to BrM/BMS, and archive the data to EDMS. If a load rating is not available, the Engineer responsible for the inspection will use engineering judgment, assign a sealed temporary load rating, and notify the State Load Rating Engineer; complete an analysis and input the results within 90 days of the date that the NBI report was sealed.

1. Submit deliverables to DX-LoadRating@dot.state.fl.us, where “X” is the District No. For example, District 1 is *D1-LoadRating@dot.state.fl*.

For widenings and rehabilitations, follow the procedures on the next page, and FDOT Structures Design Guidelines, Chapter 7. For new bridges, provide Strength for the FL120 ($RF_{FL120} \geq 1.00$), and comply with FDOT Structures Design Guidelines. New (non-widening) precast culvert projects must provide a load rating, or contract language that requires the Contractor to provide a load rating in accordance with this **Manual**.

METHODOLOGY, ALL BRIDGES

LRFR is preferred. Existing bridges may use LFR when the maximum span length is less than 200 feet. Existing bridges may also use ASR when the material is timber or corrugated steel.

PROCEDURE, EXISTING BRIDGES

For LRFR, perform HL93 Inventory, HL93 Operating, and FL120 Permit ratings. If $RF_{HL93 \text{ Operating}} \leq 1.30$, also rate the 7 Florida Legal Loads and 2 Emergency Vehicles.

For LFR or ASR, perform HS20 Inventory and HS20 Operating ratings. Also rate the 7 Florida Legal Loads and 2 Emergency Vehicles.

If the Rating Factor for any Florida Legal Load is less than 1.00, apply Chapter 7 – Posting of Bridges and Posting Avoidance. Also apply Chapter 7 if the Rating Factor for any Emergency Vehicle is less than 1.00 and the structure (1) carries interstate traffic or (2) is State-owned and lays within 1 mile driving distance of an interstate interchange.

PROCEDURE, WIDENINGS REHABILITATIONS & NEW STRUCTURES

Perform an LRFR rating in accordance with the SDG and this **Manual**. Report HL93 Inventory, HL93 Operating, and FL120 Permit ratings.

Alternatively, for LFR ratings under SDG Figure 7.1.1-1—Widening/Rehabilitation Load Rating Flow Chart, (1) follow the SDG and this **Manual**, (2) assess HS20 Inventory, HS20 Operating, 7 Florida Legal Loads, and 2 Emergency Vehicles, (3) ensure that $RF_{HS20 \text{ Inventory}} \geq 1.00$ and $RF_{HS20 \text{ Operating}} \geq 1.67$, (4) use approximate distribution, and (5) send calculations to CO-LoadRating@dot.state.fl.us.

PROCEDURE, RAILROAD BRIDGES

Use the latest edition of the American Railway Engineering and Maintenance-of-Way Association (AREMA) Manual for Railway Engineering. For Department-funded railroad load ratings, also follow “Definition, Complete Load Rating” within this **Manual**, and contact the Department for a railroad bridge load rating summary form.

COMMENTARY, DX-LOADRATING EMAIL

The delivery email DX-LoadRating@dot.state.fl.us, where “X” is the District Number, reliably specifies the address of the reviewer and end-user of the documents that this chapter requires. Submissions may also be accomplished by alternative means established by contract documents, provided that the delivery mechanism is effective and efficient. For example, the CPAM process of notifying the District Structures Maintenance Engineer is also acceptable.

CITATIONS, EXTERNAL MANUALS

Load rating involves Design, Construction, and Maintenance. Participants include State, Toll, and Local authorities. To accommodate a variety of participants, and to develop a coherent and practicable load rating policy and process, this **Manual** draws from other manuals.

SDG. The Structures Design Guidelines (SDG) governs all Department structures design, and informs all bridge structures design in Florida. At 90% plans, perform a load rating (1.7). For bridge-size culverts, see 3.15. For bascule bridges, see 8.4. Widen and rehabilitate bridges in accordance with Chapter 7. This **Manual** adopts the SDG, and the SDG refers to this **Manual** for load rating. However note these differences:

1. In addition to the standard Load Rating Summary Form (Excel), the Design of new bridges and widenings also requires a Load Rating Plan Sheet. See: <http://www.fdot.gov/structures/CADD/standards/CurrentStandards/LRFRsummaryTables.pdf>
2. The design of bascule bridges requires an unpinned span lock assumption, as a part of the load rating analysis. For the appraisal of existing bascule bridges, this **Manual** defers to the local District Structures Maintenance Engineer for specific instructions.

GREENBOOK. Locally-owned bridges conform to the Manual of Uniform Minimum Standard for Design, Construction and Maintenance for Streets and Highways (commonly referred to as the Florida “Greenbook”). Design per LRFD (Ch.17 C). Perform a hydraulic analysis (Ch.17 C.4a). Provide certain As-Built structure documents (Ch.17 D). For load rating, refer to this **Manual** (Ch.17 H).

FDM. All State-owned bridges, and many others, abide by the FDOT Design Manual (FDM). The FDM replaced the Plans Preparation Manual (PPM) for Design-Bid-Build projects that started in 2018, and Design-Build projects that started in 2019 (<http://www.fdot.gov/design/Bulletins/RDB17-12.pdf>). For Design Variations allowing deficient strength, seek a recommendation from the Office of Maintenance, and approval from the State Structures Design Engineer, by providing calculations and a “Detailed explanation of why the criteria or standard cannot be complied with or is not applicable” (FDM 122.4). For all projects, see the load rating sections (FDM 121.17).

CPAM. The FDOT Construction Project Administration Manual (CPAM) specifies procedures for the construction of State projects. Non-State projects may also utilize the CPAM, or concepts within the CPAM. Submit As-Built bridge documents (5.12.8). Provide As-Built load ratings and inspections notice to the District Structures Maintenance Engineer (10.11.3, 10.11.4). Archive certain As-Built documents to Construction Documents Management System (CDMS), and attribute those documents with the Structure Number (10.11.5). Incidentally, the maximum retention time for CDMS documents is 15 years; Structures Maintenance reviews and archives As-Built documents more durably, for 99 years.

Chapter 3: Responsibilities

DISTRICT STRUCTURES MAINTENANCE OFFICE

1. Ensure that every bridge within the jurisdiction of the District is properly load rated, timely updated, and accurately reported to the Bridge Management Database, in accordance with this *Manual*.
2. Perform and review load ratings. Review all new load ratings cursorily, and at least 10% of new load ratings thoroughly, with separate and unique review calculations for the governing elements.
3. Review NBI inspections, and determine whether the present load rating remains complete and applicable.
4. Administer and verify bridge load posting with the District Local Bridge Coordinator.
5. Provide information to the Overweight/Over-Dimensional Permit Office to facilitate safe routing.
6. Assist the Office of Maintenance, other branches of the Department, and local authorities.
7. Write and maintain a Quality Control (QC) Plan that explains how these tasks are accomplished. The QC Plan need not reiterate the contents of this *Manual*; instead, the QC Plan should emphasize day-to-day tracking and documentation.
8. Review the “*MANG012 Load Rating*” edit check quarterly, by the 1st Friday of March, June, September, and December. Apply corrections to the BMS database. Alternatively, add BMS load rating notes that explain why the data is valid.
9. Archive all current load rating forms to EDMS.
10. Annually update a load rating work plan that identifies ratings in need of revision. Include ratings that are inadequately documented, and ratings older than 30 years. Also include interstate and toll road bridge ratings less than 45 tons HS20/FL120. Make budget requests.

DISTRICT MAINTENANCE ENGINEER

Designate staff to inform the Overweight/Over-Dimensional Permit Office of temporary clearance restrictions due to construction activity. Additionally, advise upon the best time to move permitted cargo, with respect to special events and local traffic conditions.

OFFICE OF MAINTENANCE

1. Annually perform a Quality Assurance Review (QAR) of the load rating performance of each District. The current schedule, monitoring plans, critical requirements and compliance indicators are included in the Quality Assurance Plan available at the internal Office of Maintenance SharePoint site:
<https://fdot.sharepoint.com/sites/CO-MAINT/SitePages/Home.aspx>
2. Assist Districts, other branches of the Department, and local authorities.
3. Maintain this **Manual**.
4. Resolve inconsistencies arising from FDOT guidance.
5. Provide training, share new procedures, and respond to questions.
6. Provide load rating examples.
7. Review load posting requests for State-maintained bridges.
8. Provide courtesy reviews, for Districts and local agencies.
9. Perform evaluations and load ratings for State-owned bridges to improve commercial truck mobility.
10. Annually support a load rating work plan by providing pertinent lists and fielding query requests. Coordinate related budget requests.

STATE STRUCTURES DESIGN OFFICE

1. Review this **Manual**.
2. Review new and proposed design methods.
3. Assist the Office of Maintenance with load testing and complex analysis.

CONSULTANTS

1. Assist the Department in accordance with contract documents.
2. Perform and review load ratings in accordance with this **Manual**.
3. Write and maintain a Quality Control (QC) Plan that explains how load rating reviews are performed and documented. Within the QC Plan, include a Quality Assurance Review (QAR) component, which investigates and reports upon the quality of the work product, annually or more frequently. The QC plan will state where the QAR records are kept.

CHAPTER SEQUENCE

This **Manual** retains a legacy numbering sequence; chapter numbers 4 and 5 are omitted.

Chapter 4

This Chapter is reserved for future use. MBE Section 4—Inspection is unmodified.

Chapter 5

This Chapter is reserved for future use. MBE Section 5—Materials is unmodified.

Chapter 6: Load Rating Analysis

Chapter 6 of this *Manual* modifies the current AASHTO Manual for Bridge Evaluation (MBE). The MBE governs on all relevant topics not directly addressed in this *Manual*.

6.1—SCOPE

Remove: “No preference is placed on any rating method. Any of the three methods identified above may be used to establish live load capacities and load limits for the purposes of load posting.”

Add: The load rating of all bridges shall be in accordance with Chapter 2 of this *Manual*. The Department prefers LRFR. For the Design of new structures, widenings, and modifications to existing structures, see the SDG.

C6.1

Add: For segmental bridges, since ASR and LFR are inadequate, use LRFR. For spans exceeding 200 feet, since MBE Part B legal loading is excessive, use LRFR.

Regarding ASR, in 1993 the FHWA requested that all ASR ratings on the National Highway System (NHS) be rerated with LFR. FDOT and FHWA agreed that only structurally deficient or functionally obsolete NHS ratings required re-rating.

6.1.4—Bridges with Unknown Structural Components

Replace subsection with: For bridges that lack plans, perform field measurements. At a minimum, the field kit should include a measuring tape, a caliper, and a pachometer. Use plans from a similar bridge or era-appropriate code to conservatively approximate the reinforcement, and analyze the bridge. If the reinforcement cannot be estimated, and the bridge shows no distress, an assigned load rating is acceptable. Otherwise perform additional non-destructive testing as necessary, and analyze or proof-test the bridge.

6.1.5.2—Substructures

Add: Analyze all straddle bents.

Part A: LRFR

6A.1.5—Load and Resistance Factor Rating

Remove: “A detailed rating flow chart is included in Appendix A6A.”

Add: The routine FDOT rating process is described in Chapter 2 of this **Manual**.

6A.1.5.2—Legal Load Rating

Remove: “Live load factors are selected based on the truck traffic conditions at the site.”

Add: Live load factors for Legal and Emergency Vehicles are consistently applied for all traffic conditions.

6A.1.5.3—Permit Load Rating

Remove: “Calibrated load factors by permit type and traffic conditions at the site are specified for checking the load effects induced by the passage of the overweight truck.”

Add: FL120 Routine Permit live load factors are consistently applied for all traffic conditions. Special Permits shall follow the MBE requirements, unless otherwise specified in writing by the Office of Maintenance.

6A.2—LOADS FOR EVALUATION

6A.2.3.1—Vehicular Live Loads (Gravity Loads): LL

Replace subsection with: Live load models include: (1) HL93 Design Load, (2) Florida Legal Loads, (3) FL120 Routine Permit, and (4) FAST Act Emergency Vehicle. For Design, Legal, Routine Permits, and Emergency Vehicles, apply consistent live load factors for all traffic conditions, as specified in FDOT Table 6A.4.2.2-1. For Special Permits, use the actual permit truck, and live load factors as specified by the MBE.

6A.3.2—Approximate Methods of Structural Analysis

Add: Extend the range of applicability for approximate distribution as described at SDG 2.9. Also, if concrete parapets or barriers are continuous near midspan (without open joints), neglect the exterior beam rigid section assumption at LRFD Eq. C4.6.2.2.2d-1.

C6A.3.2

Add: Continuous parapets and barriers stiffen the exterior section. While parapets and barriers are susceptible to vehicular impacts, the same is true for beams (over-height vehicular impacts). Load testing has shown that, while the parapet-beam stiffness does attract load, the stresses are lower than the rigid section assumption surmises. The modification only applies to continuous parapets; the rigid section assumption may apply to bridges with parapets containing open joints near midspan.

6A.3.3—Refined Methods of Analysis

Add: Refined methods include two or three dimensional models using grid or finite-element analysis. Excepting parapet self-weight, and posting avoidance, refined analyses may not benefit from edge stiffening effects from barriers or other appurtenances. Within the load rating narrative, explain why refined analysis was used and how the assessment was performed.

6A.4—LOAD RATING PROCEDURES

6A.4.1—Introduction

Replace subsection with: Use 6A.4.2—General Load-Rating Equation with FDOT Table 6A.4.2.2-1—LRFR Limit States and Load Factors. Evaluate HL93 Inventory, HL93 Operating, and FL120 Permit. For existing bridges, if the HL93 Operating Rating Factor is less than 1.30, then additionally evaluate the Florida Legal Loads and the Emergency Vehicles.

6A.4.2—General Load Rating Equation

6A.4.2.1—General

Add:

$RATING = RF \cdot GVW =$ Permissible weight in tons

RF = Rating factor

GVW = Gross vehicle weight (axle loading of the heaviest truck that the vehicle considers)

For example, the rating for the HL93 is (36 tons)·(HL93 Rating Factor), irrespective of whether the tandem or another combination governs. Likewise, for a long-span bridge, the rating for an SU4 is (35 tons)·(SU4 Rating Factor), even if the lane-and-truck combination governs.

C6A.4.2.1

Add: BrM/BMS retains ratings in tons. The standard equation $RATING = RF \cdot GVW$ forms a reliable way to reconstruct rating factors from ratings in tons.

6A.4.2.2—Limit States

Replace Table 6A.4.2.2-1 with:

FDOT Table 6A.4.2.2-1—LRFR Limit States and Load

Bridge Type	Limit	DC ⁷	LL Inventory	LL Operating	LL Legal	LL FL120	LL EV
Steel ³	Strength ¹	1.25/0.90	1.75	1.35	1.35	1.35	1.30
	Service ² II	1.00	1.30	1.00	1.30	0.90	0.90
Reinforced Concrete ⁴	Strength ¹	1.25/0.90	1.75	1.35	1.35	1.35	1.30
	Service ² I	NA	NA	NA	NA	NA	NA
Prestressed Concrete ⁵	Strength ¹	1.25/0.90	1.75	1.35	1.35	1.35	1.30
	Service ² III	1.00	0.80	<i>NA, 0.80⁵</i>	<i>NA, 0.80⁵</i>	<i>NA, 0.70⁵</i>	<i>NA, 0.70⁵</i>
Post Tension I-Girder ⁶	Strength ¹	1.25/0.90	1.75	1.35	1.35	1.35	1.30
	Service ² III	1.00	0.80	0.80	0.80	0.70	0.70
Transverse Concrete Girder	Strength ¹	1.25/0.90	1.75	1.35	1.35	1.35	1.30
	Service ² I	1.00	1.00	NA	NA	NA	NA
Timber	Strength ¹	1.25/0.90	1.75	1.35	1.35	1.35	1.30
	Service ²	NA	NA	NA	NA	NA	NA

1. "Strength" includes flexure, shear, and compression. Typically appraise both flexure and shear. Determine whether compression and axial effects need be assessed, also.
2. "Service" means the allowable tension limit for the beam material.
3. Steel Service II need only be checked for compact girders.
4. For segmental box girder decks, see 6A.5.11. For reinforced concrete box culverts, see 6A.5.12.
5. Prestressed girders typically consider only Strength for the Operating Legal and Permit Levels. However, prestressed girders exhibiting distress or corrosion should also consider Service III at FDOT Table 6A.5.4 stresses, with the load factors in the table above.
6. For segmental box girders, see 6A.5.11.
7. Field-measure wearing surfaces; $\gamma_{DC} = \gamma_{DW}$.

6A.4.2.4—System Factor, ϕ_s

Add: System factors, in FDOT Table 6A.4.2.4-1 (General), FDOT Table 6A.4.2.4-2 (Steel), and MBE Table 6A.5.11.6-1 (Segmental), shall apply for flexural and axial effects at the Strength Limit States. Higher values than those tabulated may be considered on a case-by-case basis with the approval of the Department. System factors shall not be less than 0.85, nor greater than 1.2.

Replace Table 6A.4.2.4-1 with:

FDOT Table 6A.4.2.4-1—General System Factors (ϕ_s)

Superstructure Type	ϕ_s
Rolled/Welded Members in Two-Girder/Truss/Arch Bridges ¹	0.85
Riveted Members in Two-Girder/Truss/Arch Bridges	0.90
Multiple Eyebar Members in Truss Bridges	0.90
Floor beam spacing > 12 feet, discontinuous deck	0.85
Floor beam spacing >12 feet, continuous deck	0.90
Redundant Stringer subsystems between Floor beams	1.00
All beams in non-spliced concrete girder bridges	1.00
Steel Straddle Bents and Integral Pier Caps	0.85
Concrete Straddle Bents and Integral Pier Caps	0.90

Add: **FDOT Table 6A.4.2.4-2—System Factors (ϕ_s) for Steel Girder Bridges**

No. Girder Webs	ϕ_s With Diaphragms ¹	ϕ_s Without Diaphragms
2	0.90	0.85
3	1.00	0.90
4 or more	1.00	1.00

1. “With Diaphragms” means that there are at least three evenly spaced intermediate diaphragms (excluding end diaphragms) in each span. The above tabulated values may be increased by 0.05 for riveted members.

6A.4.4—Legal Load Rating

Replace subsection with: When $RF_{HL93.Operating} < 1.30$, analyze the Florida Legal Loads and Emergency Vehicles with the applicable limit states and load factors provided in FDOT Table 6A.4.2.2-1. Legal loads and Emergency Vehicles are described in the Appendix to this **Manual**. Excepting posting avoidance for the Emergency Vehicle, apply the same truck to each loaded lane; do not mix trucks. For multilane distribution, use multiple presence factors per LRFD 3.6.1.1.2. For single-lane distribution, use a multiple presence factor of 1.20 for Design and Legal Loads; use 1.00 for Emergency Vehicles and the FL120.

C6A.4.4—Legal Load Rating (*add this subsection*)

Districts may request that the Legal and Emergency Vehicle loads be assessed irrespective of the HL93 Operating rating. Florida applies uniform live load factors, for all Average Daily Truck Traffic. Florida Legal vehicles sufficiently envelope AASHTO SHVs.

6A.4.5—Permit Load Rating

Add: For the FL120, only use the insertion 6A.4.5.A below, and its references. For special single-trip permits, perform the analysis in accordance with MBE requirements, unless otherwise specified in writing by the Office of Maintenance.

6A.4.5.A—FL120 Permit (*add this subsection*)

For all LRFR analyses, assess the FL120 with the applicable limit states and load factors provided in FDOT Table 6A.4.2.2-1. The FL120 is depicted in the Appendix to this **Manual**. The FL120 is present in all loaded lanes; do not mix the FL120 with other trucks. For multilane distribution, use multiple presence factors per LRFD 3.6.1.1.2. For single-lane distribution, use a multiple presence factor of 1.00.

C6A.4.5.A

Add: The FL120 permit load is conceived to be a benchmark to past HS20 Load Factor Design. LFR Strength live load factors were $\gamma_{Inventory} = 2.17$ and $\gamma_{Operating} = 1.30$. Since $\gamma_{Inventory}/\gamma_{Operating} = 1.67$, if $RF_{HS20.LFR.Inventory} > 1.00$, then $RF_{HS20.LFR.Operating} > 1.67$ and $RATING_{HS20.LFR.Operating} > 60$ tons. Hence, the FL120 truck is $1.67 \cdot HS20$ truck, or 60 tons.

6A.5—CONCRETE STRUCTURES

Add: When assessing prestress condition among corroded or cracked beams, recommended reading includes:

1. Naito, Clay et al. “Forensic Examination of a Noncomposite Adjacent Precast Prestressed Concrete Box Beam Bridge.” *Journal of Bridge Engineering* July/August 2010, Figure 13.
2. Hartle, Raymond. “I-70 Overpass Beam Failure at Lakeview Drive Bridge.” https://www.nhi.fhwa.dot.gov/downloads/other/real_solutions_presentations/real_solutions_presentation_2008_07.pdf#page=22.

Replace Table 6A.5.2.1-1 with:

FDOT Table 6A.5.2.1-1—Minimum Strength of Concrete by Year of Construction

Year of Construction	Compressive Strength, f_c (ksi)
Before 1959	3.0 - Reinforced Concrete
1959 to 1973	3.0 - Reinforced Concrete 5.0 - Prestressed Beam
After 1973	3.4 - Reinforced Concrete 5.0 - Prestressed Beam

Replace Table 6A.5.2.2-1 with:

FDOT Table 6A.5.2.2-1—Yield Strength of Reinforcing Steel

Reinforcing Type	Yield, f_y (ksi)
Unknown, constructed prior to 1954	33
Structural grade	36
Unknown, constructed between 1954 and 1972: billet or intermediate grade	40
Rail or hard grade	50
Unknown, constructed after 1972	60

6A.5.2.3—Prestressing Steel

Add: For prestressing losses, use LRFD 5.9.3.3—Approximate Estimate of Time-Dependent Losses.

6A.5.4—Limit States

Replace “Table 6A.4.2.2-1” with “FDOT Table 6A.4.2.2-1.”

Add: FDOT Table 6A.5.4—Stress Limits for Concrete Bridges

Condition	Design Inventory	Operating & Permit
Compressive Stress – All Bridges (Longitudinal or Transverse) Compressive stress under effective prestress, permanent loads, and transient loads. When web or flange slenderness exceeds 15, apply a reduction (LRFD 5.6.4.7 and 5.9.2.3.2).		
All environments	$0.60 \cdot f'_c$	$0.60 \cdot f'_c$
Longitudinal Tensile Stress for Concrete with Bonded/Unbonded Prestressing, Non-Segmental		
Extremely aggressive corrosion environment	$3\sqrt{f'_c \cdot psi}$	$7.5\sqrt{f'_c \cdot psi}$
Slightly or moderately aggressive corrosion environments	$6\sqrt{f'_c \cdot psi}$	$7.5\sqrt{f'_c \cdot psi}$
Components with unbonded prestressing tendons	no tension	$3\sqrt{f'_c \cdot psi}$

Add: For prestressed beams in good condition, do not apply Service III to the Operating and Permit Levels; see notes at FDOT Table 6A.4.2.2-1. For segmental post-tension bridges, see stress limits at FDOT Tables 6A.5.11-1 & 6A.5.11-2.

6A.5.4.2.2a—Legal Load Rating

Remove subsection (for Service III, see FDOT Table 6A.4.2.2-1).

6A.5.4.2.2b—Permit Load Rating

Replace subsection with: For special single-trip permit loads having Flexural Strength load factors less than 1.30, consider a lower tendon limit at 90% yield. Otherwise neglect this check.

C6A.5.4.2.2b

Add: When the 90% yield lower tendon limit is rigorously analyzed under typical load factors, it does not meaningfully govern. Since the check is not helpful, difficult to properly execute, and confused with other flavors of “Service I,” it is no longer specified for normal load rating.

6A.5.7—Evaluation for Flexural and Axial Force Effects

Add: Flat slab longitudinal edge beams (LRFD 4.6.2.1.4b) and exterior flat slab beams (types “f” and “g” in LRFD Tables 4.6.2.2.2d-1 and 4.6.2.2.3b-1) may be neglected, provided:

1. Curbs or barriers are present, concrete, and continuous (no open joints).
2. The exterior strength per foot meets or exceeds the interior strength per foot.

Voided and solid flat slab beams (cross sections “f” and “g” in LRFD Table 4.6.2.2.1-1) may use the simplification provided in LRFD Table 4.6.2.2.1-3, where $I/J = 0.54(d/b) + 0.16$, for LRFD distribution factor Tables 4.6.2.2.2b-1 and 4.6.2.2.3a-1.

If flat slab beams are observed to move independently, then measure the condition, document the determination, and apply undistributed loads. Do not assume independent movement. Provide measurements from an instrument that shows differential deflections greater than 0.01 inch. Use one wheel-line for slab units less than 6 feet wide, and two wheel-lines for units wider than 6 feet. Include the appropriate multiple presence factors.

Flat slab beams with longitudinal cracks but no independent movement (shear keys are still effective) may conservatively average LRFD multilane distribution with undistributed loading and the single lane multiple presence factor (mpf). For example, if the multilane LRFD distribution factor were 0.35 lanes for a 4 foot wide slab, while an undistributed load would apply 0.5 lanes, then use $0.5(0.35 + 1.20_{mpf} \cdot 0.5) = 0.475$ lanes per girder, for the HL93 and Legal Loads; use $0.5(0.35 + 1.00_{mpf} \cdot 0.5) = 0.425$ lanes per girder for the permit.

C6A.5.7

Add: For additional discussion on edge beams, see C6A.3.2.

6A.5.8—Evaluation for Shear

Replace subsection with: When using Modified Compression Field Theory (MCFT) at LRFD 5.7.3.4.2—General Procedure, (1) follow MBE Figure 6A.5.8-1, and count the stirrup area intersected by the failure plane $0.5 \cdot d_v \cdot \cot(\theta)$ on each side of the section under consideration, and (2) apply the appropriate load factor. An HL93 Operating rating, for example, would use $\gamma_{LL.Strength.I.Operating} = 1.35$ in its capacity calculations. See “Prestressed concrete shear capacity is load-dependent,” at MBE Example A3, page A-115.

For prestressed members governed by shear where $RF_{LRFR.FL120} < 1.00$, use refined distribution under LRFD 8th Ed., or try LRFD 7th Ed. 5.8.3.4.3—Simplified Procedure with approximate distribution. Alternatively, narrate why those procedures should not apply to the bridge or element under consideration (excessive debonding under the web at the governing location, relevant research or load testing, girder condition, etc.).

Slab-type bridges may omit the shear check, provided good condition near the bearing areas. Other concrete bridge types will include a shear check for all vehicles and rating levels assessed.

C6A.5.8

Add: Cracking has occurred among beams that were heavily debonded under the web. Scrutinize original plans for this defect; where it is found, consider strengthening. Additionally, for shear, an independent check of the governing section is recommended.

6A.5.10—Temperature, Creep, and Shrinkage Effects

Add: For segmental post-tension elements, apply FDOT Tables 6A.5.11-1 & 6A.5.11-2.

6A.5.11—Rating of Segmental Concrete Bridges

Add: The evaluation of segmental post-tension structures is unusually complex. Before performing a load rating analysis, as part of the scope development, peruse bridge inspection reports, gather As-Built data (construction methods, construction sequences with dates, concrete cylinder strength test data), and review this section. Identify any local details (i.e. diaphragms, anchorage zones, blisters, deviation saddles, etc.) exhibiting distress, and add their evaluation to the scope. Component dead load is obtained through the process of segment erection following the planned construction sequences, changing boundary conditions from stage to stage taking into account long term loss of prestress at Day 10,000, including secondary forces post-tensioning. For expanded guidance on segmental post-tension bridge evaluation, see the obsolete but still helpful SDG Volume 10A from 2004 at:

<http://www.fdot.gov/structures/posttensioning/NewDirectionsPostTensioningVol10A.pdf>

6A.5.11.2—General Rating Requirements

Add: Apply FDOT Table 6A.5.11-1, FDOT Table 6A.5.11-2, and MBE Table 6A.5.11.6-1. Load rate HL93-Inventory, HL93-Operating, and FL120-Permit, for all six tests in FDOT Table 6A.5.11-1. If $RF_{HL93Operating} < 1.30$, also load rate the 7 Florida Legal Loads and the 2 Emergency Vehicle trucks.

Use MBE Equation 6A.4.2.1-1 as expanded below, to determine the rating factor. The variance of sign, \pm , is implicit for all variables.

$$RF = \frac{C - [\gamma_{DC} \cdot DC + \gamma_{DW} \cdot DW + \gamma_{EL} \cdot EL + \gamma_{FR} \cdot FR + \gamma_{CR} \cdot (TU + CR + SH)]}{\gamma_{LL} \cdot (LL + IM)}$$

RF	Rating factor
C	Factored capacity.
γ	Load factor
DC	Component dead load
DW	Wearing dead load
EL	Permanent locked-in erection forces
FR	Bearing friction, or frame action
TU	Uniform temperature
CR	Creep
SH	Shrinkage
LL	Live load
IM	Dynamic impact

Add: FDOT Table 6A.5.11-1—LRFR Live Load Factors for Segmental Bridges

Direction & Limit		Inventory	Operating ¹ and FL120 ¹	EV ¹
Longitudinal	Strength, Flexure	1.75	1.35	1.30
	Strength, Shear	1.75	1.35	1.30
	Service III, Flanges	0.80	0.90 SL²	0.90 SL²
	Service III, web	0.80	0.90 SL²	0.90 SL²
Transverse ³	Strength, Flexure	1.75	1.35	1.30
	Service I	1.00	1.00	1.00

1. Apply the multiple presence factor (mpf) to all loaded lanes, per LRFD 3.6.1.1.2, except make the single-lane mpf 1.00 for Operating EV and FL120 Permit Levels.
2. “SL” means the number of striped lanes; consider $1 \leq \text{lanes loaded} \leq \text{SL}$.
3. For transverse limits, omit all lane loading.

Add: FDOT Table 6A.5.11-2—Stress Limits for Segmental Bridges

Longitudinal Tensile Stress in Precompressed Tensile Zone	Inventory	Operating⁴
Components with bonded or combined with unbonded prestressing with no reinforcement across the joint (Type A Joint ¹), extremely aggressive environment	3√f _c (psi)	3√f _c (psi)
Components with bonded or combined with unbonded prestressing with no reinforcement across the joint (Type A Joint ¹), slightly or moderately aggressive environment	6√f _c (psi)	6√f _c (psi)
Components with bonded or combined with unbonded prestressing with auxiliary bonded reinforcement across the joint (Type A Joint ¹), extremely aggressive environment	3√f _c (psi)	6√f _c (psi)
Components with bonded or combined with unbonded prestressing with auxiliary bonded reinforcement across the joint (Type A Joint ¹), slightly/moderately aggressive environment	6√f _c (psi)	6√f _c (psi)
Components with unbonded prestressing only (Type A Joint ¹) without auxiliary bonded reinforcement across the joint, extremely aggressive environment	Zero tension	Zero tension
Components with unbonded prestressing only (Type A Joint ¹) without auxiliary bonded reinforcement across the joint, slightly or moderately aggressive environment	Zero tension	3√f _c (psi)
Components with unbonded prestressing (Type B Joint ²), all environments	100 psi (comp.)	Zero tension
Longitudinal Tensile Stress in other areas	Inventory	Operating⁴
Area without auxiliary bonded reinforcement ³	Zero tension	Zero tension
In areas with auxiliary bonded reinforcement ³	6√f _c (psi)	6√f _c (psi)
Principal Tensile Stress at Neutral Axis in Web	Inventory	Operating⁴
All types of segmental bridges	3.5√f _c (psi)	3.5√f _c (psi)
Transverse Stresses	Inventory	Operating⁴
Components with bonded prestressing and auxiliary bonded reinforcement, all environments	3√f _c (psi)	6√f _c (psi)

1. Type A Joint: Cast-in-place concrete joint, wet concrete or epoxy match cast joint between precast units.
2. Type B Joint (Dry joint): Match-cast joint between precast units without epoxy. Note that Type B Joints are not allowed in new segmental bridge design.
3. Auxiliary bonded reinforcement: Areas of bonded reinforcement sufficient to resist the tensile force in concrete computed based on an uncracked section, where reinforcement is proportioned using a stress of 0.5 f_{yield}, not to exceed 30 ksi.
4. Legal, Emergency Vehicle, and Permit vehicles use Operating stress levels.

6A.5.11.4—Design-Load Rating

Add: The capacity of a section is determined by using any of the relevant formulae or methods in the LRFD Specifications, including more rigorous analysis techniques involving strain compatibility. When capacity depends upon a combination of both internal (bonded) and external (unbonded) tendons, use a more rigorous technique.

Determine capacity with actual strengths, rather than specified or assumed material strengths and characteristics. Concrete strength is to be found from records, or verified by suitable tests. If no data is available, the specified design strength is to be assumed and appropriately increased for time dependent maturity. All new designs assume the plan-specified concrete properties. Post-construction records will include updated concrete properties.

6A.5.11.5—Service Limit State

Add: Allowable Service Limit stresses, given in FDOT Tables 6A.5.11-1 and 6A.5.11-2, are intended to ensure a minimum level of durability for FDOT bridges that avoids the development or propagation of cracks or the potential breach of corrosion protection afforded to post-tensioning tendons.

C6A.5.11.5C (*add this subsection commentary*)

Reference: AASHTO Guide Specification for Segmental Bridges and LRFD Table 5.9.2.3.2b-1.

Type “A” Joints, with minimum bonded longitudinal reinforcement across cast-in-place joints, are limited to a tensile stress of $3\sqrt{f_c}$ or $6\sqrt{f_c}$ (psi) for the Inventory level.

Type “A” Epoxy Joints with discontinuous reinforcement are limited to a tensile stress of zero tension for Inventory. Operating stress is similarly limited to zero tension, or 200 psi for joints in good condition (the tension strength of properly prepared epoxy joints exceeds concrete tension strength).

Type “B” Dry Joints with external tendons were designed to a longitudinal tensile stress limit of zero. In 1989, a requirement for 200 psi residual compression was introduced with the first edition of the AASHTO Guide Specification for Segmental Bridges. This was subsequently revised in 1998 to 100 psi compression. Service level design inventory ratings shall be based on a residual compression of 100 psi for dry joints. For design operating, legal, emergency vehicle, and permit ratings, the limit is zero tension.

For all joint types, longitudinal Inventory stress limits are similar to Operating stress limits; reduced reliability is attained by using the number of striped lanes.

A check of the principal tensile stress has been introduced to verify the adequacy of webs for longitudinal shear at service. The Service limit state principal stress rating factor is the ratio between the live load shear stress required to induce the maximum principal tensile stress to that induced by the live load factor shown in FDOT Table 6A.5.11-1. The check is made at the neutral axis, or at the critical elevation, and it includes torsion effects. Sections should be considered only at locations greater than “H/2” from the edge of the bearing surface or face of diaphragm, where classical beam theory applies: i.e. away from discontinuity regions. In general, verification at the elevation of the neutral axis may be made without regard to any local transverse flexural stress in the web itself given that in most large, well-proportioned boxes the maximum web shear force and local web flexure are mutually exclusive load cases. This is a convenient simplification. However, should the neutral axis lie in a part of the web locally thickened by fillets, then the check should be made at the most critical elevation, taking into account any coexistent longitudinal flexural stress. Also, if the neutral axis (or critical elevation) lies within 1 duct diameter of the top or bottom of an internal, grouted duct, the web width for calculating stresses should be reduced by half the duct diameter.

6A.5.11.6—System Factors: ϕ_s

Add: Analysts may conservatively apply a system factor of 1.00.

6A.5.12—Rating of Reinforced Concrete Box Culverts

Replace Table 6A.5.12.5-1 with:

FDOT Table 6A.5.12.5-1—Limit States and Load Factors for Culvert Load Rating

Description	Minimum	Maximum	LL mpf
DC _{Component Dead Load}	0.90	1.25	NA
EV _{Vertical Earth, Box Culverts}	0.90	$(\eta=1.05) \cdot (1.30)$	NA
EV _{Vertical Earth, 3-Sided Culverts}	0.90	$(\eta=1.05) \cdot (1.35)$	NA
EH _{Horizontal Earth, All Culverts}	0.50	$(\eta=1.05) \cdot (1.35)$	NA
LL,LS _{HL93 Inventory}	0	1.75	1.20
LL,LS _{HL93 Operating,} LL,LS _{Legal Operating,} LL,LS _{FL120 Permit, Existing}	0	1.35	1.00
LL,LS _{FL120 Permit, New Section}	0	1.35	1.20
LL,LS _{Emergency Vehicle (EV)}	0	1.30	1.00

1. Simplify the assessment by assuming that the pavement and road base is 120pcf soil; avoid separate computations for DW and ES (wearing surface and earth surcharge).
2. Where “h” is the height of soil, use
 - $F_e \cdot (120 \text{ pcf}) \cdot (h)$ = vertical earth load (F_e from LRFD 12.11.2.2.1-2)
 - $(60 \text{ pcf}) \cdot (h)$ = horizontal earth load
3. Only consider one lane loaded, and apply the appropriate single-lane live load multiple presence factor (mpf) to the distribution factor lateral to the effective span length.

CFDOT Table 6A.5.12.5-1 (add this table commentary)

While $mpf_{FL120 \text{ Permit, Existing}} = 1.00$ for existing culverts and existing sections of culverts, $mpf_{FL120 \text{ Permit}} = 1.20$ for new culverts and new portions of a culvert extension in design. The inconsistency is intended. Historically, Florida constructed culverts under Allowable Stress Design with more than adequate capacity. With the 2013 Interim Revisions and $mpf_{FL120 \text{ Permit, Existing}} = 1.00$, the State can (1) continue with the capabilities of its existing structures, (2) avoid needless replacement, and (3) fully adopt LRFR. For new culverts, $mpf_{FL120 \text{ Permit, Existing}} = 1.20$ will help to ensure that new culverts will accommodate future fill depths, live loads, and methodologies.

For additional guidance, see SDG 3.15, and the culvert example at:

<http://www.fdot.gov/maintenance/LoadRating.shtm>

6A.6—STEEL STRUCTURES

6A.6.4.1—Limit States, Design Load Rating

Replace the second paragraph with: Bridges shall not be rated for fatigue. If fatigue crack growth is anticipated, use Section 7 of the MBE to develop an estimate of the remaining fatigue life. Thoroughly document and explain all assumptions and interpretations.

6A.6.5—Effects of Deterioration on Load Rating

Add: For deflected corrugated metal pipes, consider "Load-Rating Procedures and Performance Evaluation of Metal Culverts," by Yeau and Sezen, Bridge Engineering 2012 12(1): 71-80.

6A.6.13—Moveable Bridges *(add this subsection)*

For new bascule bridges, see SDG 8.4, and show that the Strength I Design Operating rating exceeds 1.0 when span locks are disengaged; however report the Strength I Operating Rating with the span locks engaged. For existing bridges, contact the District Structures Maintenance Engineer for specific instructions.

6A.8—POSTING OF BRIDGES

Add: Posting of weight restrictions on bridges shall follow the procedures given in Chapter 7 of this **Manual**.

6A.8.2—Posting Loads

*Strike any reference to AASHTO legal loads, and replace with the Florida Legal Loads and Emergency Vehicles as defined in the Appendix to this **Manual**.*

6A.8.3—Posting Analysis

Replace subsection with: The safe posting load shall be taken as the weight in tons for each truck multiplied by the corresponding rating factor. A Bridge Owner may close a structure at any posting threshold, however bridges with an operating rating less than 3 tons for any Florida legal load must be closed.

Appendix A6A—Load and Resistance Factor Rating Flow Chart

*Remove entire subsection (use Chapter 2 of this **Manual**)*

Appendix B6A—Limit States and Load Factors for Load Rating

Remove entire subsection (use FDOT Table 6A.4.2.2-1)

Appendix D6A—AASHTO Legal Loads

*Remove entire subsection (use the Appendix to this **Manual**).*

Part B: LFR & ASR

6B.1—GENERAL

Add: All Load Rating Analyses must comply with Chapter 2 of this **Manual**.

6B.1.1—Application of Standard Design Specifications

Replace subsection with: Except as specifically modified in this **Manual**, or upon direct approval from the Department, explicitly follow the most recent editions of:

- AASHTO Std. Spec. for Highway Bridges
- AASHTO Guide Spec. for Horizontally Curved Steel Girder Highway Bridges
- AASHTO Std. Spec. for Movable Highway Bridges

6B.5—NOMINAL CAPACITY: C

Add: **FDOT Table 6B.5.3—LFR Limit States and Load Factors**

Bridge Type	Limit	DL _{max}	LL Inventory	LL Operating
Steel	Strength ¹	1.30	2.17	1.30
	Service ²	1.00	1.67	1.00
Reinforced Concrete	Strength ¹	1.30	2.17	1.30
	Service ²	NA	NA	NA
Prestressed Concrete	Strength ¹	1.30	2.17	1.30
	Service ²	1.00	1.00	NA
Post- Tension I- Girder ³	Strength ¹	1.30	2.17	1.30
	Service ²	1.00	1.00	NA
Timber ⁴	Strength ¹	NA	NA	NA
	Service ²	NA	NA	NA

Notes on the following page.

Notes, FDOT Table 6B.5.3:

1. “Strength” includes flexure and shear; consider axial effects where warranted.
2. “Service” means the allowable tension limit for the beam material.
3. For segmental box girders, use LRFR.
4. LFR excludes timber; use LRFR or ASR.

6B.5.2.4—Concrete

Replace subsection with: Unknown concrete strengths may be estimated with FDOT Table 6A.5.2.1-1—Minimum Strength of Concrete by Year of Construction.

6B.5.3.2—Reinforced Concrete

Replace subsection with: Unknown concrete reinforcement strength may be estimated with FDOT Table 6A.5.2.2-1—Yield Strength of Reinforcing Steel.

6B.5.3.3—Prestressed Concrete

*Remove the Prestressing Steel Tension check (see C6A.5.4.2.2b, this **Manual**).*

Add: For prestressed girders exhibiting distress or corrosion, consider using LRFR. For prestressed members governed by shear where $RF_{LFR.HS20.Operating} < 1.67$, use LRFR and 6A.5.8, or narrate why the LRFR method should not apply. For LFR analyses, limit shear strength to capacity described by Std.Spec.; do not import capacities from other methodologies such as Modified Compression Field Theory from LRFD.

6B.6—LOADINGS

Add: Live load tables are given in the Appendix of this **Manual**.

6B.6.2—Rating Live Load

Add: Omit the 24-kip military tandem at Std.Spec. 3.7.4.

C6B.6.2 (*add this subsection commentary*)

This coheres with past policy, and preserves a stable live loading model for permit routing. HS20 Design has considered the tandem for all Interstate bridges since 1976 Std.Spec. Interims. Meanwhile HS20 Evaluation has traditionally excluded the tandem (see MBE at Page A-72, MBE at Table C6B-1, 1982 FDOT Load Rating Manual at Plate I, 1995 Load Rating Manual at Table VII-2, FDOT BARS customization file "BigJohn.std," the BrM/BMS load rating dataset, and the 2013 load rating calculations for Bridge No. 750004).

6B.6.2.3—Lane Loads

Replace subsection with: The HS20 vehicle considers point-and-lane loading.

6B.6.2.4—Sidewalk Loadings

Replace subsection with: Unless site-specific conditions suggest otherwise, do not apply pedestrian loading to a bridge load rating.

C6B.6.2.4

Replace subsection with: While design explicitly includes pedestrian loading (Std.Spec 3.14 and LRFD 3.6.1.6), load capacity evaluation typically omits pedestrian load (MBE 6A.2.3.4).

6B.6.4—Impact.

Replace subsection with: Typically apply full impact per Std. Spec. See Chapter 7 for impact reductions. Add to Std.Spec. 3.8.2.2: When utilizing Eq. 3-1 for shear impact due to truck loads, the length L may be interpreted as the distance from the point under consideration to the nearest reaction; alternatively, shear impact for axle loading may be taken as 30%.

B.7—POSTING OF BRIDGES

6B.7.1—General

Replace the third paragraph with: If a concrete culvert with depths of fill 2.0 feet or greater with known details or with unknown components (such as culverts without plans) has been carrying normal traffic for an appreciable period and is in fair or better condition, as determined by a physical inspection of the culvert by a qualified inspector and documented in the inspection report, the culvert may be assigned an inventory load rating factor of 0.90 and an operating load rating factor of 1.50 for the HS-20 design load and need not be posted for restricted loading. These rating factor levels do not meet SDG criteria for widenings, which precludes additional widening without analytical proof of adequate capacity. The load rating shall be documented in accordance with this **Manual**.

6B.7.2—Posting Loads

Replace subsection with: For LFR ratings, evaluate the Florida Legal Loads and Emergency Vehicles as depicted within the Appendix to this **Manual**. LFR is limited to bridges whose maximum span is less than 200 feet. Use one truck, for LFR/ASR; omit truck trains. Excepting posting avoidance for the Emergency Vehicle, apply the same truck to each loaded lane; do not mix trucks.

Chapter 7: Posting of Bridges and Posting Avoidance

7.1—GENERAL

For bona-fide emergencies, immediately do all things necessary to protect public safety. For non-emergency posting, follow the provisions within this Chapter.

The 7 Florida Legal Loads (SU2, SU3, SU4, C3, C4, C5, and ST5) apply to all highway bridges in Florida. If load rating calculations conclude that any of the 7 Florida Legal Loads, as defined in the Appendix to this *Manual*, have an operating rating factor less than 1.00, then the bridge must be posted for weight within 30 days after receipt of official posting notification from the Department.

The 2 Emergency Vehicles (EV2 and EV3) as defined by the FAST Act only apply to highway bridges that carry interstate traffic, and State-owned bridges within 1 mile driving distance to interstate interchanges. If load rating calculations conclude that (1) Emergency Vehicles apply, and (2) an Emergency Vehicle as defined in the Appendix to this *Manual* has an operating rating factor less than 1.00, then the bridge must be posted for weight within 30 days after receipt of official posting notification from the Department.

7.1.A—POSTING, 7 FLORIDA LEGAL LOADS

Post bridges in accordance with FDOT Standard Plans *Index 700-107*. A blanket weight restriction sign (MUTCD Sign No. R12-1) may substitute the three-silhouette sign (MUTCD Sign No. R12-5). The three silhouettes represent:

- Single Unit (SU Class) trucks: SU2, SU3, and SU4.
- Combination (C Class) trucks with a single trailer: C3, C4, and C5.
- Combination truck with two trailers or a single unit truck with one trailer: ST5.

For each silhouette/class, post the lowest sub-legal rating, and truncate. For example:

$RF_{SU2} = 1.12$	$GVW_{SU2} = 17$ tons	$RATING_{SU2} = 19.0$ tons
$RF_{SU3} = 0.89$	$GVW_{SU3} = 33$ tons	$RATING_{SU3} = 29.5$ tons
$RF_{SU4} = 0.99$	$GVW_{SU4} = 35$ tons	$RATING_{SU4} = 34.6$ tons

Here, the SU posting is 29 tons. 29.5 is truncated, or rounded down. The SU2 is neglected, because the SU2 rating is greater than the SU2 gross vehicle weight (GVW).

In order to satisfy federal requirements regarding AASHTO SHV vehicles, for the circumstance where the analysis does recommend posting for C-Class combination trucks, but does not recommend posting for the SU-Class, post the SU-Class for 35 tons.

This provides a safe posting for AASHTO SU trucks. For example:

$RF_{SU2} = 2.09$	$GVW_{SU2} = 17$ tons	$RATING_{SU2} = 35.9$ tons
$RF_{SU3} = 1.08$	$GVW_{SU3} = 33$ tons	$RATING_{SU3} = 36.1$ tons
$RF_{SU4} = 1.02$	$GVW_{SU4} = 35$ tons	$RATING_{SU4} = 36.1$ tons
$RF_{C5} = 0.97$	$GVW_{C5} = 40$ tons	$RATING_{C5} = 38.6$ tons

Here, the C posting is 38 tons and the SU posting is 35 tons.

7.1.B—POSTING, EMERGENCY VEHICLES

If any of the following is true, do not post for the Emergency Vehicle:

- The bridge is not State-owned.
- The bridge does not carry interstate traffic and the bridge is not within 1 mile driving distance of an interstate interchange.
- The bridge is sufficiently strong:
 - $RF_{HL93.Operating} \geq 1.30$, or
 - $RF_{HS20.Operating} \geq 1.67$, or
 - $RF_{EV2} \geq 1.00$ & $RF_{EV3} \geq 1.00$

Otherwise:

- Limit the weights as follows.
 - SINGLE AXLE = minimum (10 tons, RF_{EV2} :16.75 tons)
 - TANDEM = minimum (20 tons, RF_{EV3} :31 tons)
 - GROSS = minimum (Florida Legal Load Posting Recommendations, RF_{EV2} :28.75 tons, RF_{EV3} :43 tons)
- Use this sign:

WEIGHT LIMIT	
SINGLE AXLE	XXT
TANDEM	XXT
GROSS	XXT

- Post with concepts illustrated by FDOT Standard Plans [Index 700-107](#).

The logic above is embedded into the FDOT Load Rating Summary Form.

7.1.C—POSTING, COMMENTARY

On 11/15/2013, FHWA memo “Load Rating of Specialized Hauling Vehicles” (SHVs) explained that AASHTO MBE legal trucks (Type 3, 3-S2, 3-3) did not envelope SHVs. Rather than adopting AASHTO Straight Unit (SU) trucks, Florida retained its own SU trucks. This was done for two reasons. First, keeping the same trucks avoided confusion, and offered a consistent stable of legal trucks in Florida. Second, the special Florida trucks remain necessary to envelope the local 70,000 pound dump trucks first allowed by 1953 Florida Statute 317.96, and retained to the present day.

In 2017, Florida showed that its single-unit straight trucks (SU2, SU3, SU4) adequately restrict bridges for Formula B SHVs (AASHTO MBE SU4, SU5, SU6, SU7), and updated its posting guidance in this **Manual**. The full report is available at:

[*Florida SU Load Posting Signs for AASHTO SHV-SU Trucks \(2017 11-14\).*](#)

On 12/04/2015, “Fixing America’s Surface Transportation Act” (FAST Act) (Public Law 114-94) amended the United States Code (USC) § 127 Vehicle Weight Limitations – Interstate System, with section (r) Emergency Vehicles (EVs), which adopted extraordinary weight permissions for selected emergency trucks on interstate highways. During 2018, following guidance provided by the FHWA's "Questions and Answers, Load Rating for the FAST Act's Emergency Vehicles," the Department classified its bridges into three categories: (1) EV inapplicable. The FAST Act does not apply, due to ownership, road type, or geographic location. (2) EV applicable and unrestricted. The FAST Act does apply, but a parametric bridge-by-bridge study showed that the bridge is adequate for EVs. (3) EV applicable, and an assessment is needed. The FAST Act does apply, and additional analysis is required to determine whether the bridge should be posted for the EV. The full report is available at:

[*Florida Bridge Classification for Emergency Vehicles \(2018 07-03\).pdf*](#)

The results of the 2018 EV study were applied 12/02/2018 to the Bridge Management System database field name LR_EVstatus as follows.

1-EV inapplicable. 9,976 bridges.

2-EV applicable and unrestricted. 2,482 bridges.

3-EV applicable and assessment needed. 78 bridges.

The Department reassessed the 78 bridges requiring EV analysis in 2019. Other bridges may continue to use the EV status as provided 12/02/2018, until load rating data changes.

Once EV assessments and traffic counts were completed in 2019, the Department found only two bridges requiring EV posting statewide. Those two bridges were also posted for legal loads. Instead of posting two signs per location, one for State legal loads and another for FAST Act EVs, the Department adopted a single sign that will limit all vehicles. For consistency, single and tandem axles were restricted by the analysis and Florida axle limits (10 tons single, and 20 tons tandem). For example, an analysis that allowed a 13 ton single-axle posting would be conservatively reduced to 10 tons. This made the posting relevant to all trucks.

7.2—WEIGHT POSTING PROCEDURES, STATE-MAINTAINED BRIDGES

When weight restrictions are required on a Department-maintained bridge, the District Structures Maintenance Engineer will notify the State Structures Maintenance Engineer, consult with the State Load Rating Engineer, consider posting-avoidance techniques, and recommend posting levels.

Within the load rating narrative, explain the cause of the low load rating, characterize impacts to traffic, and include a detour map. Develop a remedy (repair, strengthening, or replacement). Estimate costs and provide a timeline for execution of the remedy. Solicit recommendations from the District Traffic Operations Engineer, and order weight restriction signs from the Lake City Sign Shop.

Send the completed load rating as official notification to the District Maintenance Engineer and State Structures Maintenance Engineer. Then post the structure within 30 days.

7.3—WEIGHT POSTING PROCEDURE, BRIDGES NOT MAINTAINED BY THE DEPARTMENT

When weight restrictions are required on a bridge that is not maintained by the Department, users of this *Manual* will follow this procedure. The Department or its consultant will analyze the bridge, and the Department's District Local Bridge Coordinator will forward weight posting recommendations to the local agency bridge owner.

The local agency bridge owner shall post the bridge, and notify the Department's District Local Bridge Coordinator that the posting recommendation has been put into effect. If the required weight posting recommendation is not acted upon by the local agency bridge owner within 30 days of the initial notification by the District Local Bridge Coordinator, the Department shall post the bridge immediately, and all posting costs incurred by the Department shall be assessed to the local agency bridge owner.

The local agency bridge owner may subsequently perform its own analysis. However, such analysis does not exempt the local agency bridge owner from taking the mandatory steps to post the bridge within the 30 days, and any conclusions reached in the subsequent analysis finding that the posting restriction is not required must be accepted by the Department before load restrictions are removed.

7.4—POSTING AVOIDANCE

Posting avoidance modifies AASHTO design specifications to mitigate weight limit and permit mobility restrictions at existing bridges. Posting avoidance techniques are not applicable to new bridges, rehabilitation projects, or widening projects. However several techniques are available for existing bridges; select the ones that apply. Within the load rating narrative, explain and justify the selection.

ROUND-UP. Rating factor results from the approximate AASHTO distribution equations may be rounded-up by up to 5%.

REFINED ANALYSIS. Analytical refinements may be used to improve load distribution. Permissible methods include finite element analysis, and moment redistribution (LRFD 4.6.4, and Std.Spec. 10.48.1.3).

DYNAMIC ALLOWANCE FOR IMPROVED SURFACE CONDITIONS. Where the transitions from the bridge approaches to the bridge deck across the expansion joints are smooth and where there are minor surface imperfections or depressions on the bridge deck, the dynamic load allowance may be reduced to 20%.

BARRIER STIFFNESS. An analysis may reasonably consider stiffening effects from parapets and barriers. Additionally consider the adverse effects.

STRIPED LANES. Striped lanes may be used for Service limits.

STEEL SERVICE. An analysis may neglect Steel Service if these factors are considered: fatigue, Average Daily Truck Traffic (ADTT), and the replacement schedule. For example, bridges with exceptionally low traffic, like certain water management structures, may neglect Steel Service with no additional analytical consideration. However steel structures on more typical throughways must consider ADTT and fatigue before neglecting the Steel Service limit.

FOR EMERGENCY VEHICLES (EVs) ONLY, MIXED TRAFFIC. Consider the EV in one lane, along with the Florida legal truck that governs moment in the adjacent lanes. For example, a 2-lane 20-foot span would consider the EV in one lane, and the Florida SU4 in the other lane. To determine the governing Florida legal truck, consult the bridge load rating summary form sheet “LL.”

FOR EV3 ONLY, REDUCED LOAD FACTOR. Perform an EV3 traffic count, and apply reduced load factors recommended by NCHRP 20-07 Task 410, as simplified below. For intermediate values, use linear interpolation.

FDOT Table 7.4—Posting Avoidance Live Load Factors, FAST Act EV3

FAST Act EV3 Frequency (one direction)	Average Daily Truck Traffic (one direction)	EV3
1	ADTT < 1000	1.10
1	ADTT > 6000	1.10
10	ADTT < 1000	1.10
10	ADTT > 6000	1.20

Chapter 8: Load Rating of Bridges through Load Testing

GENERAL

To more accurately approximate load carrying capacity, the Department uses nondestructive load testing as described by MBE Section 8. Testing typically seeks an enhanced rating, and load testing can show that a bridge has additional capacity well beyond a traditional analysis. However testing can also discover stress spiking, or unforeseen deflections, which diminish the rating. In either case, whether the results are stronger or weaker than an approximate analysis would conclude, those load test results will better inform design and maintenance policy.

LOAD TEST CANDIDATES

Load test candidates either restrict the flow of trucks, or cannot be satisfactorily analyzed by traditional means. Annually, the State Load Rating Engineer will confer with District Structures Maintenance Engineers, the Permitting Office, and the Structures Research Center, to develop and refine a load test list. The State Load Rating Engineer will establish priorities, and the Structures Research Center will schedule the load tests in conjunction with the Districts.

It is anticipated that the Structures Research Center will perform a minimum of three (3) load tests each fiscal year. Within 60 days of completion of the load test, The Structures Research Center will send the load test report to the District Structures Maintenance Engineer and the State Load Rating Engineer. Within 14 days of receipt, the District Structures Maintenance Engineer will update the BrM/BMS database with the results of the load test report.

LOAD TEST REPORTS

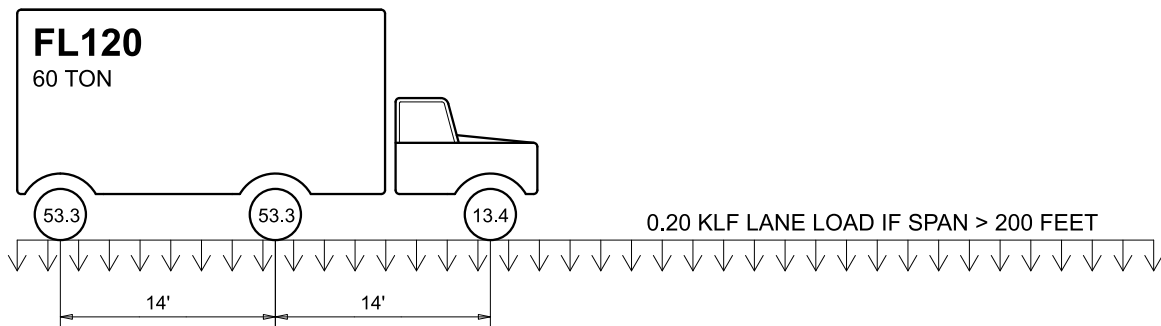
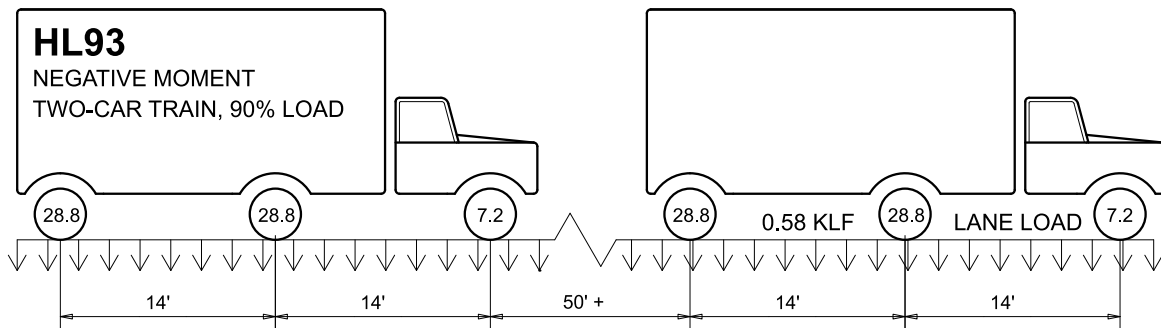
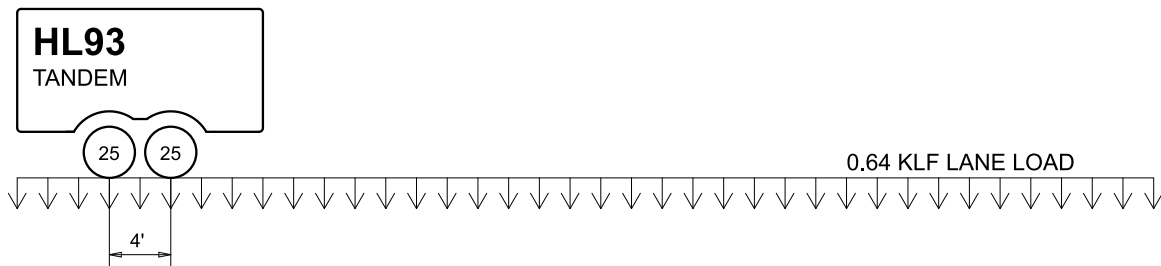
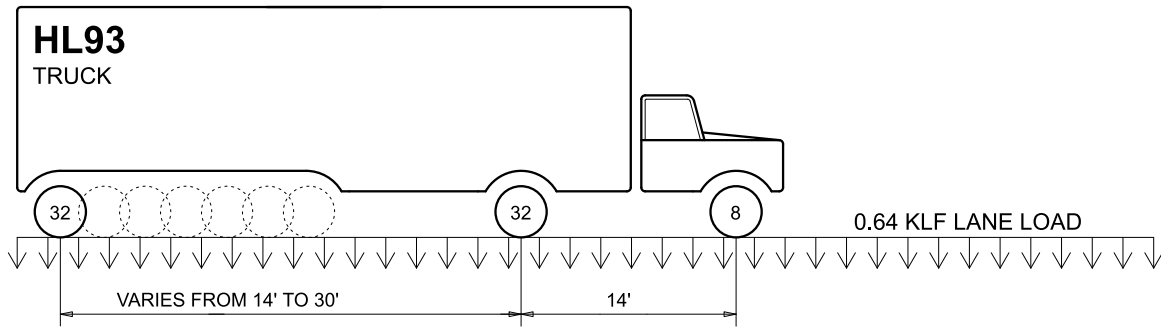
In addition to the “Complete Load Rating” requirements, specified in Chapter 2 of this *Manual*, load test reports also feature an expanded narrative that discusses test procedure and analytical interpretation.

APPENDIX

The Appendix defines live loads, and offers example Load Rating Summary Forms. For the Load Rating Summary Form Excel worksheet, and additional materials, see: <http://www.fdot.gov/maintenance/LoadRating.shtm>

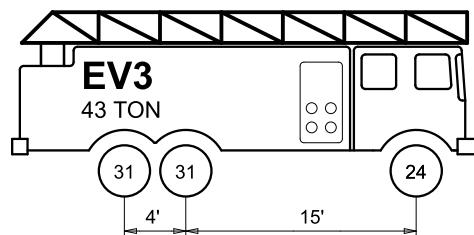
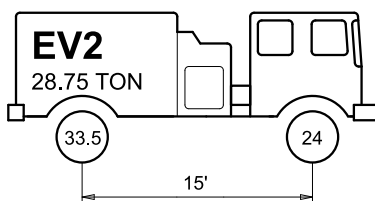
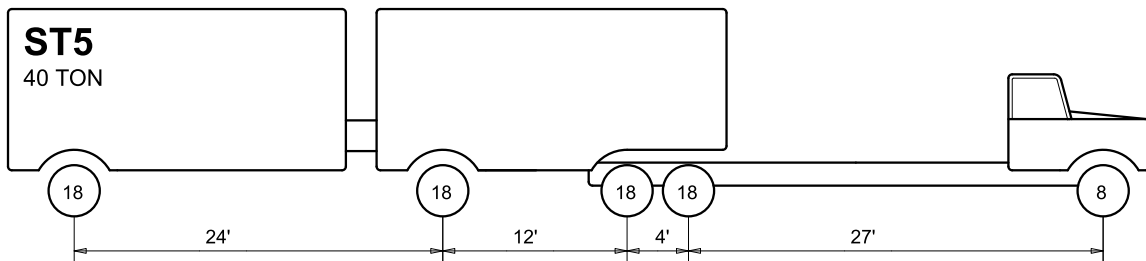
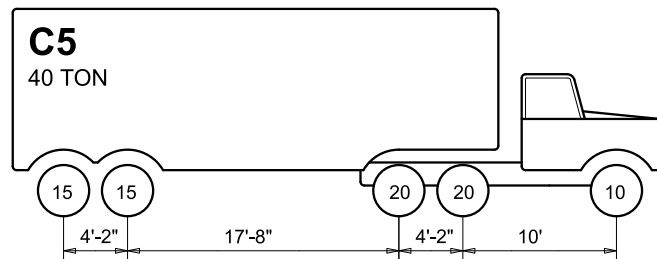
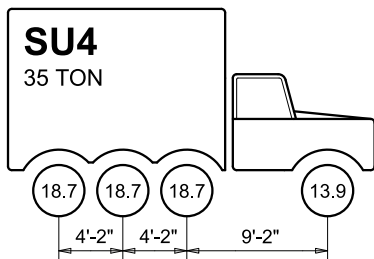
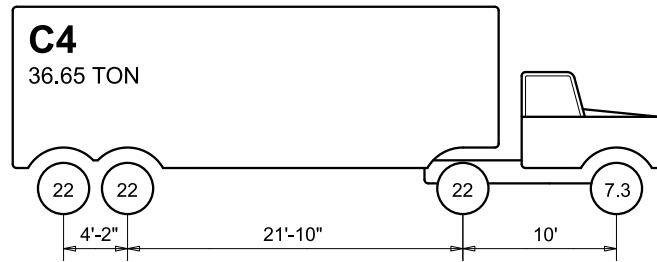
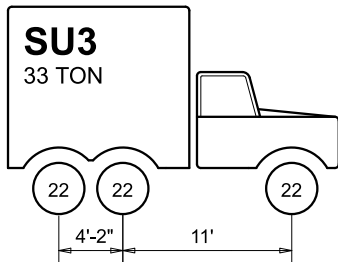
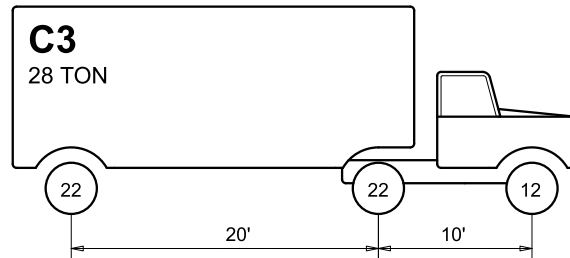
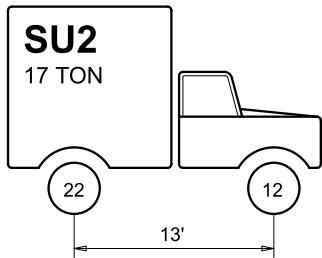
LRFR HL93 & FL120 PERMIT

Axles in kip. Gage widths are 6 feet. Apply patch lane loads for maximum effects.



7 FLORIDA LEGAL LOADS, AND 2 EMERGENCY VEHICLES

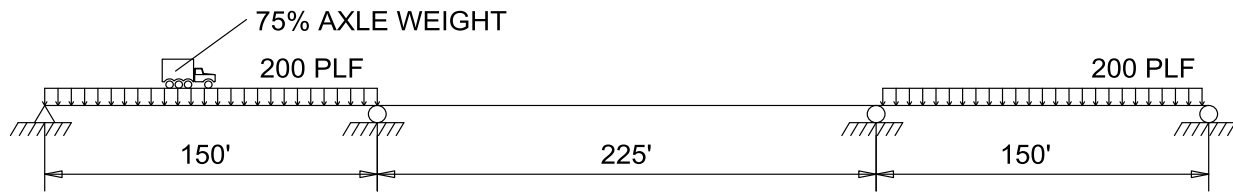
Axle loading is in kip. Gage widths are 6 feet.



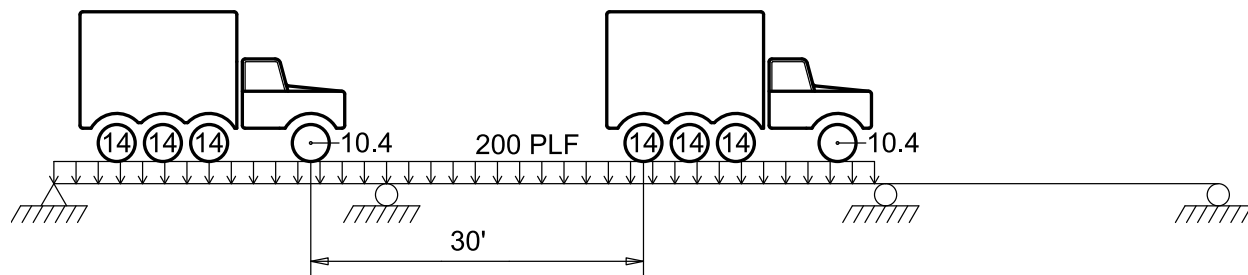
LRFR LEGAL LOAD COMBINATIONS, EACH LANE

For all spans and effects, consider a single legal truck.

For spans exceeding 200 feet, or for bridge units with one span that exceeds 200 feet, consider one truck at 75% axle weights with full impact, combined with 100% 0.2klf lane loading at 0% impact. Patch lane loading is also required. The figure below depicts maximum positive moment in Span 1.



For continuous structures of any length, negative moments and reactions at interior supports shall consider two legal trucks at 75% axle weights with full impact, combined with 100% 0.2klf lane loading at 0% impact. Separate the two trucks with 30 feet clear spacing, and point the trucks in the same direction. The figure below depicts the SU4 negative moment combination for Pier 2.



LFR LEGAL LOAD COMBINATIONS, EACH LANE

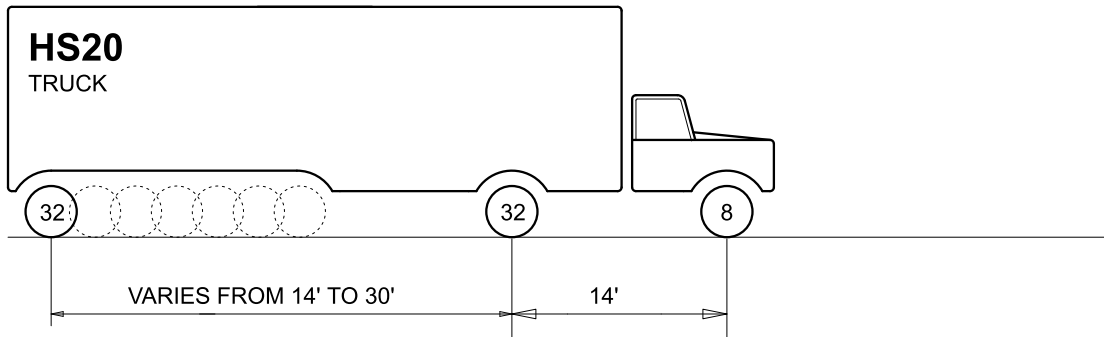
For all spans and all effects, consider a single legal truck. This **Manual** prohibits LFR for spans exceeding 200 feet, so analysts need not apply the MBE 6B.7.2 100% weight truck train.

EMERGENCY VEHICLES, EACH LANE

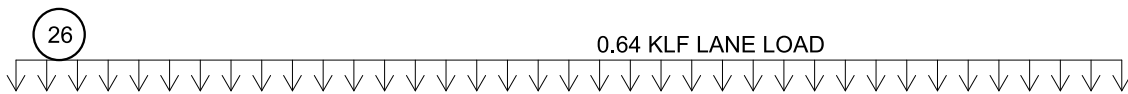
For LRFR or LFR, for all spans and all effects, consider a single truck. Emergency Vehicles are only legal for bridges carrying interstate highway traffic, or state-owned bridges within 1 mile reasonable access to interstate interchanges.

LFR HS20, EVALUATION DESIGN LOADING

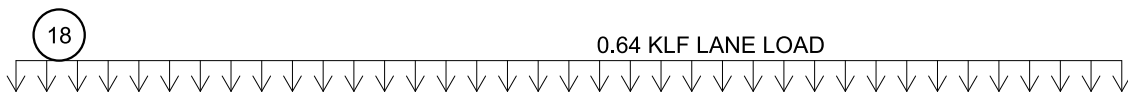
Axles in kip. Gage widths are 6 feet. Apply patch lane loads for maximum effects.



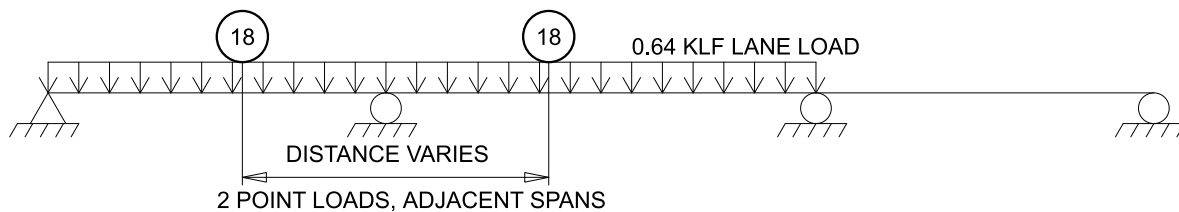
HS20 SHEAR, POINT-AND-LANE LOAD



HS20 POSITIVE MOMENT, POINT-AND-LANE LOAD



HS20 NEGATIVE MOMENT, POINT-AND-LANE LOAD
EXAMPLE, NEGATIVE MOMENT AT PIER 2, FOR A 3-SPAN BRIDGE:



LRFR LIVE LOAD PER LANE, WITH 33% IMPACT TO AXLE LOADING

Span	HL93	FL120	SU2	SU3	SU4	C3	C4	C5	ST5	EV2	EV3
(ft)	(k-ft)	(k-ft)	(k-ft)	(k-ft)	(k-ft)	(k-ft)	(k-ft)	(k-ft)	(k-ft)	(k-ft)	(k-ft)
5	55.2	88.7	36.6	36.6	31.1	36.6	36.6	33.3	29.9	55.7	51.5
10	114.4	177.3	73.2	91.7	82.9	73.2	91.7	83.4	76.6	111.4	131.9
15	205.0	266.0	109.7	162.7	176.2	109.7	162.7	147.9	134.9	167.1	232.3
20	301.0	354.7	146.3	234.8	269.4	153.3	234.8	213.5	193.9	222.8	334.0
30	506.2	625.4	243.3	440.3	476.8	264.0	380.1	376.9	351.4	359.1	543.2
40	727.9	997.0	354.4	658.8	708.2	387.6	525.8	543.1	529.9	544.1	827.3
60	1359.2	1787.8	578.5	1096.7	1172.3	754.9	956.6	1061.7	887.9	920.2	1397.4
80	2059.9	2582.2	803.6	1535.1	1637.1	1124.8	1436.7	1591.4	1356.0	1299.5	1968.4
100	2825.5	3378.0	1029.1	1973.7	2102.2	1495.7	1919.8	2122.0	1884.9	1680.0	2539.8
150	5020.9	5370.1	1593.6	3070.6	3265.4	2424.7	3132.6	3450.1	3210.8	2633.4	3968.8
200	7617.2	7363.6	2158.4	4167.7	4428.9	3354.6	4348.3	4779.2	4538.8	3588.1	5398.2
200.1	7622.8	8368.1	2620.4	4169.9	4431.3	3517.8	4350.7	4781.8	4541.4	3590.0	5401.1
250	10613.7	10919.7	3604.8	5511.0	5756.8	4775.7	5735.0	6143.5	5962.3	4543.3	6827.8
300	14010.5	13601.6	4716.1	7021.4	7317.0	6161.2	7335.7	7828.3	7646.7	5498.7	8257.4

Span	HL93	FL120	SU2	SU3	SU4	C3	C4	C5	ST5	EV2	EV3
(ft)	(kip)	(kip)	(kip)	(kip)	(kip)	(kip)	(kip)	(kip)	(kip)	(kip)	(kip)
5	44.2	70.9	29.3	34.1	29.0	29.3	34.1	31.0	28.7	44.6	49.5
10	56.4	70.9	29.3	46.3	43.5	29.3	46.3	42.1	38.3	44.6	66.0
15	62.4	75.7	31.4	50.4	53.9	34.6	50.4	46.5	41.5	44.6	71.5
20	66.3	92.2	34.8	59.5	61.4	37.2	52.4	51.5	47.9	52.5	75.8
30	75.6	109.9	38.3	68.9	72.0	39.9	58.4	57.6	55.9	60.5	88.7
40	86.2	122.4	40.0	73.6	77.2	47.9	66.7	66.5	59.9	64.5	95.1
60	100.1	134.8	41.8	78.4	82.5	56.7	77.0	75.8	71.8	68.5	101.5
80	110.2	141.0	42.6	80.7	85.2	61.2	82.1	83.5	77.8	70.5	104.7
100	118.8	144.7	43.1	82.1	86.8	63.8	85.2	88.1	81.4	71.7	106.7
150	137.8	149.7	43.8	84.0	88.9	67.4	89.3	94.2	86.2	73.3	109.2
200	155.3	152.2	44.2	85.0	89.9	69.2	91.3	97.2	90.9	74.1	110.5
200.1	155.3	172.2	53.1	85.0	89.9	71.9	91.3	97.2	90.9	74.1	110.5
250	172.2	178.6	58.3	89.1	92.9	77.7	94.4	99.3	95.5	74.6	111.3
300	188.8	184.6	63.4	94.4	98.2	83.2	100.0	105.2	102.0	74.9	111.8

LFR LIVE LOAD PER LANE, WITH 0% IMPACT

Span	HS20	SU2	SU3	SU4	C3	C4	C5	ST5	EV2	EV3
(ft)	(k-ft)	(k-ft)	(k-ft)	(k-ft)	(k-ft)	(k-ft)	(k-ft)	(k-ft)	(k-ft)	(k-ft)
5	40.0	27.5	27.5	23.4	27.5	27.5	25.0	22.5	41.9	38.8
10	80.0	55.0	68.9	62.3	55.0	68.9	62.7	57.6	83.8	99.2
15	120.0	82.5	122.3	132.5	82.5	122.3	111.2	101.4	125.6	174.6
20	160.0	110.0	176.6	202.6	115.3	176.6	160.5	145.8	167.5	251.1
30	282.1	183.0	331.0	358.5	198.5	285.8	283.4	264.2	270.0	408.4
40	449.8	266.5	495.3	532.5	291.4	395.4	408.4	398.4	409.1	622.0
60	806.5	435.0	824.6	881.5	567.6	719.2	798.3	667.6	691.9	1050.7
80	1164.9	604.2	1154.2	1230.9	845.7	1080.3	1196.5	1019.6	977.0	1480.0
100	1523.9	773.8	1484.0	1580.6	1124.6	1443.5	1595.5	1417.2	1263.1	1909.6
150	2475.0	1198.2	2308.7	2455.2	1823.0	2355.3	2594.1	2414.2	1980.0	2984.1
200	4100.0	1622.9	3133.6	3330.0	2522.3	3269.4	3593.3	3412.6	2697.8	4058.8

Span	HS20	SU2	SU3	SU4	C3	C4	C5	ST5	EV2	EV3
(ft)	(kip)	(kip)	(kip)	(kip)	(kip)	(kip)	(kip)	(kip)	(kip)	(kip)
5	32.0	22.0	25.7	21.8	22.0	25.7	23.3	21.6	33.5	37.2
10	32.0	22.0	34.8	32.7	22.0	34.8	31.7	28.8	33.5	49.6
15	34.1	23.6	37.9	40.5	26.0	37.9	35.0	31.2	33.5	53.7
20	41.6	26.2	44.7	46.1	28.0	39.4	38.7	36.0	39.5	57.0
30	49.6	28.8	51.8	54.1	30.0	43.9	43.3	42.0	45.5	66.7
40	55.2	30.1	55.4	58.1	36.0	50.1	50.0	45.0	48.5	71.5
60	60.8	31.4	58.9	62.0	42.7	57.9	57.0	54.0	51.5	76.3
80	63.6	32.1	60.7	64.0	46.0	61.7	62.8	58.5	53.0	78.8
100	65.3	32.4	61.7	65.2	48.0	64.0	66.2	61.2	53.9	80.2
150	74.0	33.0	63.2	66.8	50.7	67.1	70.8	64.8	55.1	82.1
200	90.0	33.2	63.9	67.6	52.0	68.7	73.1	68.3	55.7	83.1

Replace MBE Tables C6B-1 and C6B-2 with the one above. Whereas the MBE reports LFR live load in wheel-lines, this table uses 1 lane. For legal loading on spans over 200 feet, MBE 6B.7.2 imposes 100% weight truck trains. Do not use the LFR methodology among bridges with spans over 200 feet. For additional span lengths, see the Load Rating Summary Form (Excel) at sheet "LL."

RATING FACTORS (RFs) FOR PERMITS

Permits are typically routed by comparing the available capacity ($RF \cdot LL_{\text{Reference Vehicle}}$) to the permit live load, for the spans under consideration. The table below illustrates the minimum single-span simply-supported longitudinal Operating Rating Factors needed to pass all blanket permit trucks in Florida, considering both moment and shear. For example, say the span length is 100 feet; to pass all routine Florida blanket permits, $RF_{\text{HL93.Operating}} \geq 1.24$, or $RF_{\text{FL120.Permit}} \geq 1.04$, or $RF_{\text{HS20.Operating}} \geq 1.73$.

SPAN	LRFR	LRFR	LFR
Length	HL93	FL120	HS20
(ft)	(RF_{needed})	(RF_{needed})	(RF_{needed})
5	1.09	0.68	1.13
10	1.21	0.96	1.60
15	1.20	0.99	1.64
20	1.24	0.97	1.62
30	1.29	0.99	1.65
40	1.32	0.96	1.61
60	1.22	0.93	1.55
80	1.23	0.98	1.63
100	1.24	1.04	1.73
150	1.32	1.22	1.85
200	1.30	1.33	1.72
200.1	1.30	1.18	1.72
250	1.24	1.20	1.55
300	1.18	1.20	1.40

An FL120 example for a span length of 100 feet follows. FL120 column three (3) is:

$$\max \left(\left(\frac{\max(LL_{\text{Permits.Moment}}(L_{\text{span}}))}{\max(LL_{\text{FL120.Moment}}(L_{\text{span}}))} \right), \left(\frac{\max(LL_{\text{Permits.Shear}}(L_{\text{span}}))}{\max(LL_{\text{FL120.Shear}}(L_{\text{span}}))} \right) \right)$$

If the span length is 100 feet, and $RF_{\text{FL120}} = 1.04$, then $RF_{\text{CRANE 3}}$ is inferred as:

$$LL_{\text{FL120}} = 3378 \text{ kip}\cdot\text{ft}$$

$$LL_{\text{CRANE 3}} = 3500 \text{ kip}\cdot\text{ft}$$

$$RF_{\text{CRANE 3}} = 1.04 \cdot 3378 / 3500 = 1.00$$

Crane 3 governs the span in flexure, over all other blanket permit vehicles. Therefore, for a 100 foot span, $RF_{\text{FL120}} \geq 1.04$ is sufficient for all blanket permits.

LOAD RATING SUMMARY EXAMPLE 1, PAGE 1 of 2

Bridge No.	661957	Analysis Method:	LRFR-LRFD	FDOT Bridge Load Rating Summary Form (Page 1 of 2)
Location	Tamarkan over Kwai			
Description	Simply-supported 26'-60'-26' prestressed slabs & reinforced T-beams.			

Rating Type	Rating Type	Gross Axle Weight (tons)	Moment/Shear/Service		Dead Load Factor	Live Load Factor	Live Load Distrib. Factor (axles)	Rating Factor	Span No. - Girder No., Interior/Exterior, %Span Length	RF-Weight (tons)
Level	Vehicle	Weight	Member Type	Limit	DC	LL	LLDF	RF	Governing Location	RATING
Inventory	HL93	36	Reinf. Concrete	Strength, Moment	1.25/0.90	1.75	0.351	0.551	Beam 2-5, Interior, 50%L	19.8
Operating	HL93	36	Reinf. Concrete	Strength, Moment	1.25/0.90	1.35	0.351	0.751	Beam 2-5, Interior, 50%L	27.0
Permit	FL120	60	Reinf. Concrete	Strength, Moment	1.25/0.90	1.35	0.351	0.890	Beam 2-5, Interior, 50%L	53.4
Permit Max Span	FL120	60	Reinf. Concrete	Strength, Moment	1.25/0.90	1.35	0.351	0.890	Beam 2-5, Interior, 50%L	53.4
Legal	SU2	17	Reinf. Concrete	Strength, Moment	1.25/0.90	1.35	0.351	1.391	Beam 2-5, Interior, 50%L	23.7
	SU3	33	Reinf. Concrete	Strength, Moment	1.25/0.90	1.35	0.351	0.730	Beam 2-5, Interior, 50%L	24.1
	SU4	35	Reinf. Concrete	Strength, Moment	1.25/0.90	1.35	0.351	0.684	Beam 2-5, Interior, 50%L	23.9
	C3	28	Reinf. Concrete	Strength, Moment	1.25/0.90	1.35	0.351	1.073	Beam 2-5, Interior, 50%L	30.1
	C4	36.7	Reinf. Concrete	Strength, Moment	1.25/0.90	1.35	0.351	0.854	Beam 2-5, Interior, 50%L	31.3
	C5	40	Reinf. Concrete	Strength, Moment	1.25/0.90	1.35	0.351	0.760	Beam 2-5, Interior, 50%L	30.4
Emergency Vehicle (EV)	ST5	40	Reinf. Concrete	Strength, Moment	1.25/0.90	1.35	0.351	0.903	Beam 2-5, Interior, 50%L	36.1
	EV2	28.75	Reinf. Concrete	Strength, Moment	1.25/0.90	1.30	0.301	0.910	Beam 2-5, Interior, 50%L	26.2
	EV3	43	Reinf. Concrete	Strength, Moment	1.25/0.90	1.30	0.316	0.720	Beam 2-5, Interior, 50%L	31.0

<i>Original</i> Design Load	H15 or H-15-44	Performed by:	Andrew DeVault	Date:	12/11/18
Rating Type, <i>Analysis</i>	LRFR-LRFD	Checked by:	Roger Liu	Date:	12/11/18
Distribution Method	Refined analysis	<i>This item has been digitally signed and sealed by</i> Lan B. Solo, PE 2020.10.22 11:30:02 - 4'00' <i>on the date adjacent to the seal. Printed copies of this document are not considered signed and sealed and the signature must be verified on any electronic copies.</i> <i>P.E. Seal</i> Bridge Engineers, Inc. 123 Main Street Tallahassee, FL 32301 Certificate of Authorization: 12345 Lan B. Solo, PE No. 99994 lan.solo@thehuttcorp.tatooino			
Impact Factor	33.0% (axle loading)				
FL120 Gov. Span Length	59.0 (feet)				
Minimum Span Length	25.0 (feet)				
Recommended Posting	30.0 to 39.9% below (0.601-0.700) (Required)				
Recommended SU Posting	23 (tons)				
Recommended C Posting	30 (tons)				
Recommended ST5 Posting	36 (tons)				
Owner	01 State Highway Agency				
Location	Within 1 roadway driving mile of an interstate interchange				
EV Posting	Yes. EV Posting is recommended				
Floor Beam Present?	No				
Segmental Bridge?	No				
Project No. & Reason	NA Update				
Plans Status	Built				

This 01-01-2021 summary follows the FDOT Bridge Load Rating Manual (BLRM), and the FDOT BMS Coding Guide.
 *Recommended SU Posting levels for Florida SU trucks adequately restricts AASHTO SU trucks; see BLRM Chapter 7.

LOAD RATING SUMMARY EXAMPLE 1, PAGE 2 of 2

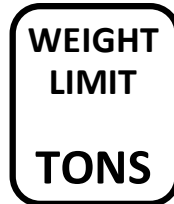
Bridge No.	661957	Analysis Method:	LRFR-LRFD	FDOT Bridge Load Rating Summary Form (Page 2 of 2)
Location	Tamarkan over Kwai			
Description	Simply-supported 26'-60'-26' prestressed slabs & reinforced T-beams.			

FLOOR BEAM (FB)

FB Span Length	0	(feet)
FB Spacing	0	(feet)
FB Operating Rating	0	(tons)
FB SU4 Rating	0	(tons)
FB FL120 Permit Rating	0	(tons)

SEGMENTAL (SEG)

SEG Wing-Span	-1	(feet)
SEG Web-to-Web Span	-1	(feet)
SEG Transverse HL93 Operating Rating Factor	-1	(RF)



RECOMMENDED POSTING, LEGAL LOADS AND EVs

WEIGHT LIMIT	
SINGLE AXLE	10T
TANDEM	20T
GROSS	23T

This 01-01-2021 summary follows the FDOT Bridge Load Rating Manual (BLRM), and the FDOT BMS Coding Guide.
 *Recommended SU Posting levels for Florida SU trucks adequately restricts AASHTO SU trucks; see BLRM Chapter 7.

LOAD RATING SUMMARY EXAMPLE 2, PAGE 1 of 1

Bridge No.	729999	Analysis Method:	LRFR-LRFD	FDOT Bridge Load Rating Summary Form (Page 1 of 1)
Location	I-295 over CSX RR			
Description	Four simple spans: 47-89-89-48 feet. Composite prestress girder.			

Rating Type	Rating Type	Gross Axle Weight (tons)	Moment/Shear/Service		Dead Load Factor	Live Load Factor	Live Load Distrib. Factor (axles)	Rating Factor	Span No. - Girder No., Interior/Exterior, %Span Length	RF-Weight (tons)
Level	Vehicle	Weight	Member Type	Limit	DC	LL	LLDF	RF	Governing Location	RATING
Inventory	HL93	36	Prestressed	Service	1.00	0.80	0.570	1.100	Beam 2-10, Interior, 50%L	39.6
Operating	HL93	36	Prestressed	Strength, Shear	1.25/0.90	1.35	0.870	1.310	Beam 2-10, Interior, 30%L	47.2
Permit	FL120	60	Prestressed	Strength, Shear	1.25/0.90	1.35	0.870	1.020	Beam 2-10, Interior, 30%L	61.2
Permit Max Span	FL120	60	Prestressed	Strength, Shear	1.25/0.90	1.35	0.870	1.020	Beam 2-10, Interior, 30%L	61.2
Legal	SU2	17	Prestressed	NA	NA	NA				-1
	SU3	33	Prestressed	NA	NA	NA				-1
	SU4	35	Prestressed	NA	NA	NA				-1
	C3	28	Prestressed	NA	NA	NA				-1
	C4	36.7	Prestressed	NA	NA	NA				-1
	C5	40	Prestressed	NA	NA	NA				-1
	ST5	40	Prestressed	NA	NA	NA				-1
Emergency Vehicle (EV)	EV2	28.75	Prestressed	NA	NA	NA				-1
	EV3	43	Prestressed	NA	NA	NA				-1

<i>Original</i> Design Load	HS20 or HS20-S16-44	Performed by:	Miles Davis	Date:	08/17/59
Rating Type, <i>Analysis</i>	LRFR-LRFD	Checked by:	Henri Mancini	Date:	01/01/64
Distribution Method	AASHTO Formula	<p style="text-align: right;"><small>This item has been digitally signed and sealed by</small></p> <p style="text-align: center;">David Bowie, PE 2015.02.23 11:30:00 - 2'00'</p> <p style="text-align: right;"><small>on the date adjacent to the seal. Printed copies of this document are not considered signed and sealed and the signature must be verified on any electronic copies.</small></p> <p style="text-align: center;"><i>P.E. Seal</i></p> <p style="text-align: right;"><small>Stardust Engineering Inc. 204 W 23rd St. New York, NY 10011 Certificate of Authorization: 181947 David Bowie, PE No. 181947 D.Bowie@StardusEngtnc.com</small></p>			
Impact Factor	33.0% (axle loading)				
FL120 Gov. Span Length	88.2 (feet)				
Minimum Span Length	46.0 (feet)				
Recommended Posting	At/Above legal loads. Posting Not Required.				
Recommended SU Posting	99 (tons)				
Recommended C Posting	99 (tons)				
Recommended ST5 Posting	99 (tons)				
Owner	01 State Highway Agency				
Location	Carries interstate traffic.				
EV Posting	No. EV posting is not recommended. RF.HL93.Operating >1.30	<p>Comments:</p> <p style="color: red; font-size: 1.2em;">(Unsealed Example)</p>			
Floor Beam Present?	No				
Segmental Bridge?	No				
Project No. & Reason	213387-7-52-01 Widening				
Plans Status	Design or Construction				

This 01-01-2021 summary follows the FDOT Bridge Load Rating Manual (BLRM), and the FDOT BMS Coding Guide.
 *Recommended SU Posting levels for Florida SU trucks adequately restricts AASHTO SU trucks; see BLRM Chapter 7.

SYNOPSIS OF SIGNIFICANT REVISIONS

2015

The 2015 FDOT Bridge Load Rating Manual rewrote the 2014 Manual. The organization and intent was largely retained. However the word count was reduced significantly, and the following changes were significant:

1. Added an updating procedure, for Technical Revisions.
2. Revised prestress Operating and Permit ratings to Strength, not Service. However retained Service for prestress exhibiting distress or corrosion.
3. Removed the prestress Service I Lower Tendon Limit for LFR and LRFR-FL120. See commentary at C6A.5.4.2.2b.
4. Clarified LRFD prestress shear capacity. Use the General Method per LRFD, or the "Simplified" method (ACI as modified by LRFD).
5. Narrowed LFR and ASR, and excluded LFR and ASR from spans exceeding 200ft.
6. Required Legal Load assessments for LFR and ASR, regardless of the Design Operating Rating.
7. Simplified system factors for steel bridges. Do not apply different system factors to different spans on the same bridge unit.
8. Simplified culvert analysis by providing criteria for wall assessments.
9. Removed requirements that older culverts be appraised by LFR. The 2013 LRFD Interims broadened the effective strip width, making LRFR more similar to LFR.
10. Described load rating deliverables, and specified the mechanics of their submission and adoption (Chapter 2—Process).
11. Specified what a load rating is, its minimum contents.
12. Simplified segmental analysis. First, for all Design Operating, Legal Operating, and Routine Permit ratings, use $\gamma_{LL,Service} = "0.90 SL,"$ and a single-lane multiple presence factor of 1.0 (consistent). Second, use Inventory Service I transverse $3\sqrt{f_c}$ ·psi, for all environments, which coheres with LRFD 5.9.4.1.2-1, and redacts slightly aggressive $6\sqrt{f_c}$ ·psi (conservative, and consistent). Third, redact step-by-step instructions (see Volume 10 A: Load Rating Post-Tensioned Concrete Segmental Bridges, now somewhat outdated). Finally, redact specific instructions for shear in segmentals (defer to the latest LRFD).

2016

1. Chapter 2—Process: Definition, Complete Load Rating. Added a provision for digital delivery. Specified “unlocked,” and say why.
2. Chapter 2—Process: Table 2-1—Existing Bridges. For load rating reviews coincident to bridge inspections, changed the location of the note documenting the review from “Structure Notes” to “Inspection Notes.” Additionally, removed “results are, by inspection, reasonable” as vague.
3. Chapter 6—Load Rating Analysis: 6A.5.12—Rating of Reinforced Concrete Box Culverts. Rewrote the subsection, provided guidance, and linked to an example.

2017

1. 6A.5.7—allowed simplified distribution for flat slab beams.
2. 6.1.5.2—explicitly required that straddle bents be analyzed.

2018

1. 7.1—Posting, General. Added provisions to restrict AASHTO SHV-SU trucks.
2. 7.2—Posting, State-Maintained Bridges. Simplified.
3. 6B.5.3.3—Prestressed Concrete. Where $RFLFR.HS20.Operating < 1.67$, use LRFR.
4. 6A.5.11—Rating of Segmental Bridges. Revised load factor and stress tables.
5. Updated and corrected code references throughout.

2019

1. Added Emergency Vehicles (EVs) as directed by the FAST Act (<https://www.gpo.gov/fdsys/pkg/BILLS-114hr22enr/pdf/BILLS-114hr22enr.pdf>). Assessment of the EV vehicles is like any other legal truck, except:
 - EV assessment is not necessary for “strong” bridges where $RF_{HL93, Operating} \geq 1.30$. In other words, new bridges and widenings that use LRFR and satisfy SDG Chapter 7 strength requirements need not assess the EV.
 - Under LRFR, the EV Strength load factor is 1.30 not 1.35.
 - Under LRFR, the EV Steel Service load factor is 0.90 not 1.30.
 - Under LRFR, the EV single-lane multiple presence factor is 1.00 not 1.20.
 - Under LRFR, EVs do not consider the 75% axle weight + 200 plf lane load combinations.
 - Bridges requiring posting for EVs require special posting signs, not the Florida silhouette.
 - EV posting avoidance only applies to bridges carrying interstate highway traffic, or state-owned bridges within 1 mile reasonable access to interstate interchanges.
 - For EV posting avoidance, consider mixed traffic. Place the EV in one lane, and the Florida legal truck that governs moment in the adjacent lanes. For example, a 2-lane 20-foot span would consider the EV in one lane, and the Florida SU4 in the other lane.
2. Replaced load rating flowchart Figures 2-1 and 2-2 with three sections of prose, for clarity. The new sections are (1) Methodology, All Bridges, (2) Procedure, Existing Bridges, and (3) Procedure, Widenings Rehabilitations & New Structures.
3. Removed FDOT Table 6A.5.11.6-1. Reverted to MBE Table 6A.5.11.6-1—System Factors for Post-Tensioned Segmental Concrete Box Girder Bridges.
4. On 01-28-2019, updated html links (pages 42-44) and corrected the Chapter 7 header.

2020

1. Added a brief procedure in Chapter 2 for railroad bridges.
2. Amended FDOT Table 6A.4.2.2-1 to include transverse concrete girders.
3. At FDOT Table 6A.4.2.4-1—General System Factors (ϕ_s), added a Concrete Straddle Bent and Integral Pier Cap system factor of 0.90, to cohere with SDG.
4. At FDOT Table 6A.5.4, reinserted an unbonded tension limit, removed in 2018 during the introduction of waxed tendons. Kept the Inventory Limit of no tension, per past practice and LRFD Table 5.9.2.3.2b 1. Set the Operating Limit to $3\sqrt{f_c}$, judged safe at less than half of rupture.
5. At 7.1.B for EVs, used a single sign that restricts both EVs and Florida legal loads.
6. Added FDOT Table 7.4 – Posting Avoidance Live Load Factors, FAST Act EV3.

2021

1. In Chapter 2—Process, clarified that “A Design Rating considers all construction phases.”
2. Within Chapter 3—Responsibilities, added an annual load rating workplan to program rating updates.
3. At Table 6A.5.11-1—LRFR Live Load Factors for Segmental Bridges, reverted the factors for web and flange service stress back to 0.80, for the Inventory Level.