

FDOT GENERAL NOTES

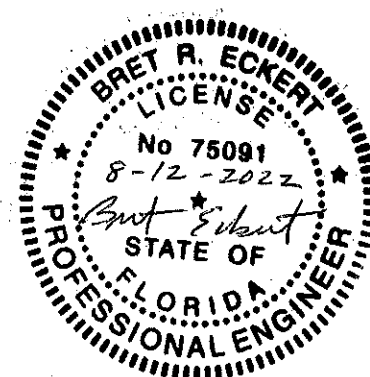
CONTENTS

SHEET NUMBER	DRAWING NUMBER
1, 2, 3	85-03-17 SoftStop® System, MASH(16) End Terminal 2'-1" Mounting Height / TL-2 / Parallel Model SS 653

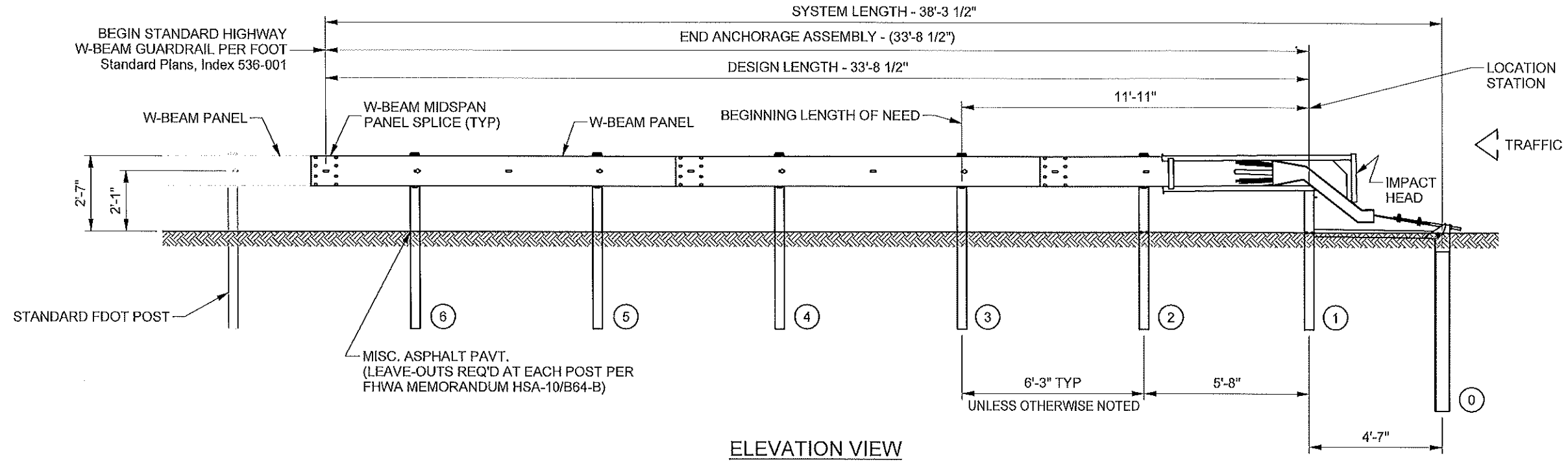
1. The guardrail Approach Terminal system represented on this drawing is a proprietary design manufactured by Valtir, LLC and marketed under the trade name SoftStop® System.
2. This drawing is sufficient for plan details for the Softstop® System, MASH(16) End Terminal when installed in connection with shoulder guardrail and precludes the requirement for shop drawing submittals unless the plans otherwise call for such submittals. The SoftStop® System, MASH(16) End Terminal must be assembled in accordance with the manufacturer's detail drawings, and current assembly manual as revised and updated at the time of installation.
3. The SoftStop® System, MASH(16) End Terminal is a steel post configuration. Post 0 is an anchor post, Post 1 & 2 are special 1-part Steel Yielding Terminal Post (SYTP®). Post 3-6 are standard steel posts.
4. The SoftStop® System, MASH(16) End Terminal is designed for use as an approach end treatment for single-sided/shoulder guardrail. The beginning length of need point is located at Post 3 (see drawing). The Design Length of the SoftStop® System, MASH(16) End Terminal(TL-2) is 33'-8 1/2".

The SoftStop® System, MASH(16) End Terminal must be installed as a parallel end treatment and cannot be used in medians where horizontal clearance requires the use of a backrail.

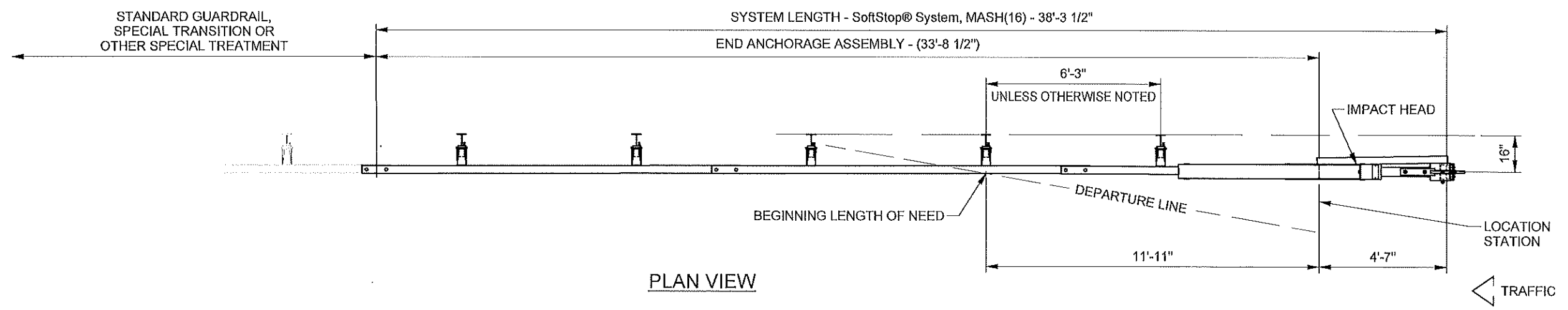
The SoftStop® System, MASH(16) End Terminal can be attached to guardrail heights from 31" to 27 3/4" with FDOT approved transition.
5. For detail of shoulder grading around end treatments and miscellaneous asphalt pavement see FDOT Standard Plans, Index 536-001.
6. Site Conditions: The SoftStop® System MASH(16) End Terminal is not permitted adjacent to sidewalks.
7. Site Conditions: A clear and traversable run-out area must be maintained behind and beyond all gating terminals.



DRAWN: D. Hayes Jr	DATE: 7/7/2020	MODEL: SS653-Rev L	85-03-17 SoftStop® System, MASH(16) End Terminal (2'-1" Mounting Height / TL-2 / Parallel) FLORIDA APL NO. 536-007-003			
CHECKED: K. Looney	DATE: 7/30/2020	TRAFFIC DIRECTION: UNI-DIRECTIONAL				
UNLESS OTHERWISE NOTED, DIMENSIONS ARE IN MILLIMETERS [INCH]. DIMENSIONS ACCORDING TO ASME Y14.5-2018 AND QMS-SE-003 UNLESS OTHERWISE SPECIFIED.		DO NOT SCALE DRAWING				
REVISION DESCRIPTION		ECO	DATE	REV	BY	CHK
INITIAL RELEASE		7258	-	-	-	-
CHG BRDR, RPLCD TRN INFO		8168	08/08/22	A	ML	EH
DRAWING:			85-03-17	REV:	A	SHEET:
						1 of 3

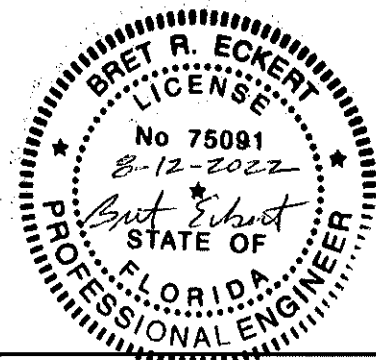


ELEVATION VIEW



PLAN VIEW

MODEL	SYSTEM WIDTH	SYSTEM LENGTH	DESIGN LENGTH	DESIGN SPEED	TEST LEVEL DESIGNATION
SoftStop®	20" NOM.	38'-3 1/2"	33'-8 1/2"	≤ 45 MPH	MASH(16) TL-2



DRAWN: D. Hayes Jr	DATE: 7/7/2020	MODEL: SS653-Rev L			
CHECKED: K. Looney	DATE: 7/30/2020	TRAFFIC DIRECTION: UNI-DIRECTIONAL			
UNLESS OTHERWISE NOTED, DIMENSIONS ARE IN MILLIMETERS (INCH). DIMENSIONS ACCORDING TO ASME Y14.5-2018 AND QMS-SE-003 UNLESS OTHERWISE SPECIFIED.					
REVISION DESCRIPTION	ECO	DATE	REV	BY	CHK
INITIAL RELEASE	7258	-	-	-	-
SEE SHT 1	8168	08/08/22	A	ML	EH

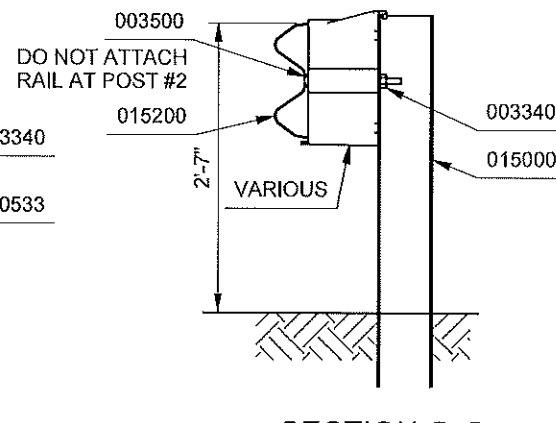
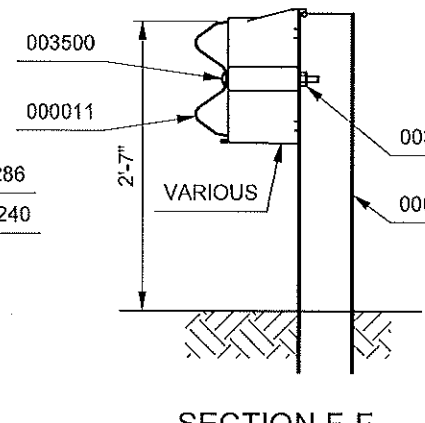
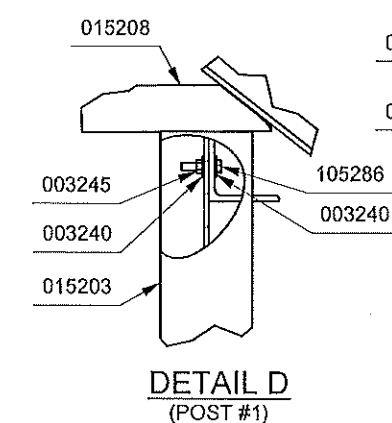
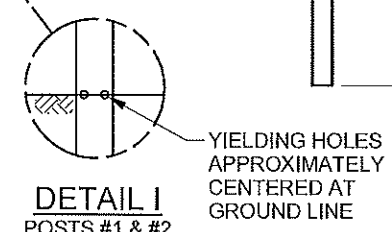
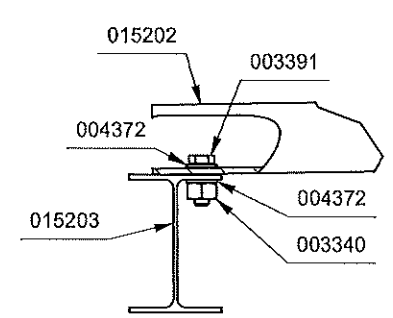
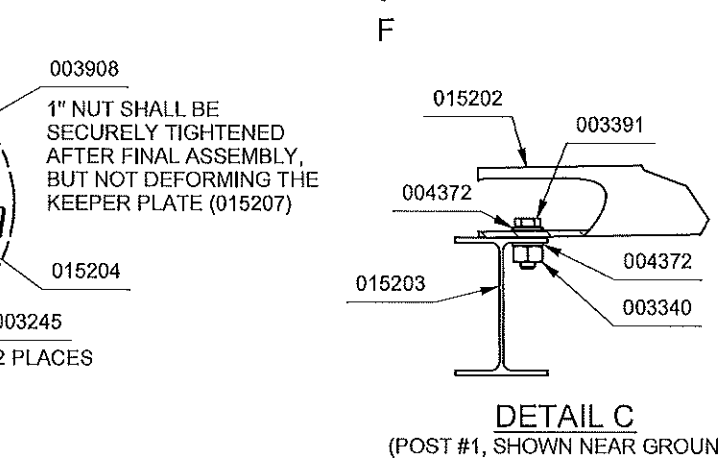
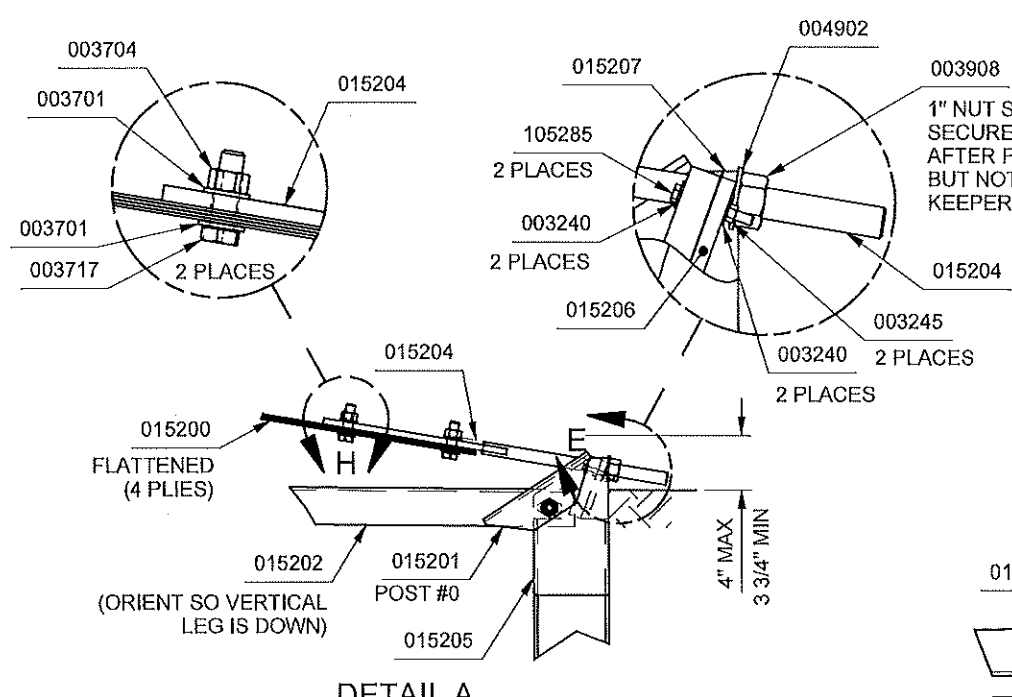
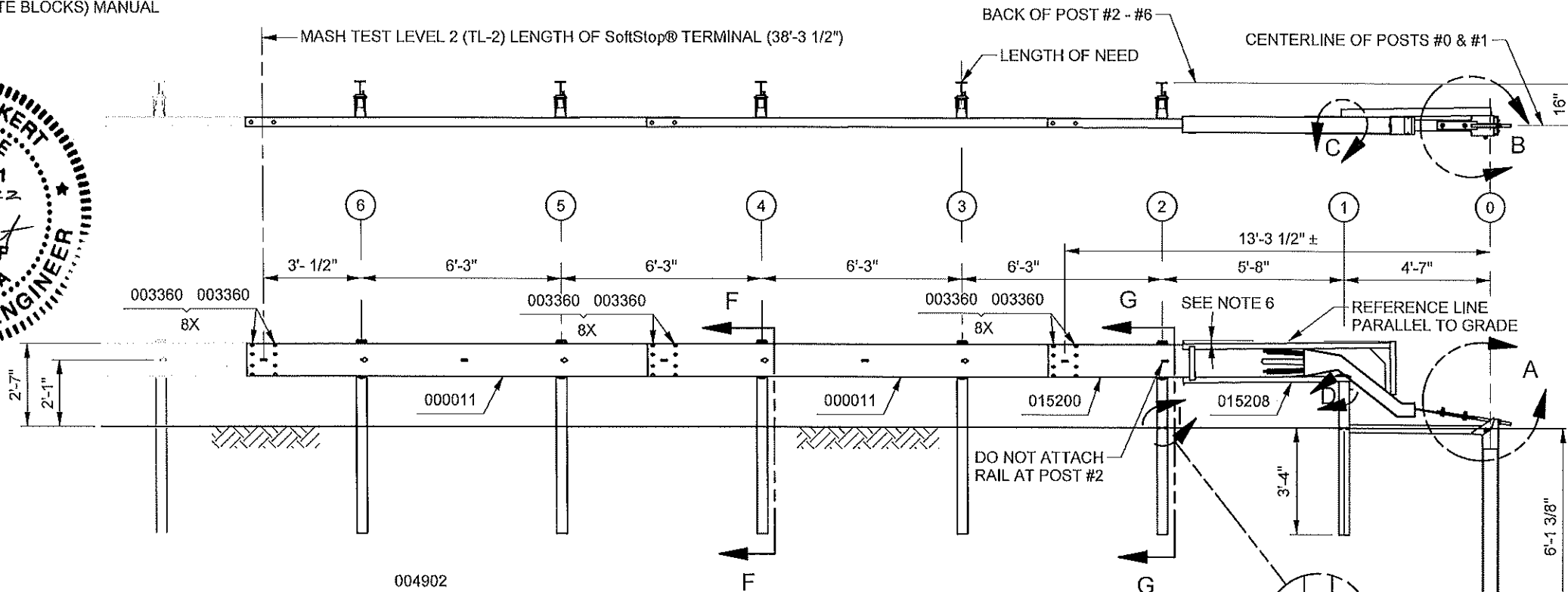
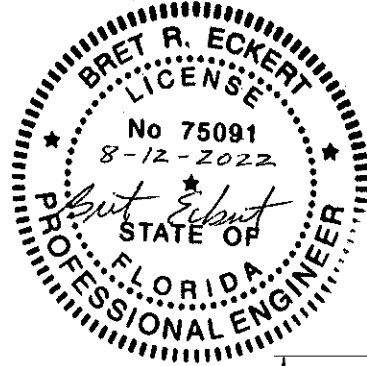
85-03-17 SoftStop® System, MASH(16) End Terminal (2'-1" Mounting Height / TL-2 / Parallel) FLORIDA APL NO. 536-007-003

DRAWING: 85-03-17 REV: A SHEET: 2 of 3



© Valtir, LLC. All rights reserved.

NOTE:
 INSTALL SoftStop® PARALLEL TO ROADWAY.
 WHEN OFFSET IS REQUIRED BY DESIGN ENGINEER,
 SEE SoftStop® (8" COMPOSITE BLOCKS) MANUAL
 FOR REQUIREMENTS.



PARTS LIST		
PART NO.	QTY.	DESCRIPTION
000011	2	12/12'6/3'1.5/S
000533	4	6'-0" POST / W 6X8.5#
VARIOUS	5	8IN COMPOSITE BLK
015000	1	6'0 POST/8.5/SYT-POST/7:25
015200	1	SFST-ANCHOR G.RAIL 12'-6"
015202	1	SFST-ANGLE STRUT
015203	1	SFST-POST#1 SYTP
015204	1	SFST-ANCHOR PADDLE
015205	1	SFST-POST#0
015208	1	SFST-IMPACT HEAD
HARDWARE KIT 034429		
003240	6	WASHER,FLAT,5/16 W,TY A,G
003245	3	5/16" HEX NUT A563
003340	31	NUT,HX,5/8,G,RAIL
003360	24	5/8"X1.25" GR BOLT
003391	1	5/8"X1.75" HEX BOLT A325
003500	5	BOLT,RAIL,5/8-11X10
003701	4	3/4" ROUND WASHER F436
003704	2	3/4" HVY HEX NUT A563 DH
003717	2	3/4"X2.5" HEX BOLT A325
003908	1	1" HVY HEX NUT A563 DH
004372	4	WASHER,FLAT,5/8,HARD,TY 1,G
004489	1	5/8"X9" HEX BOLT A325
004902	1	1" ROUND WASHER F436
015201	2	SFST-ANCHOR ANGLE
015206	1	SFST-PLATE WASHER
015207	1	SFST-KEEPER PLATE
105285	2	5/16" X 2.5" HEX BOLT GRD 5
105286	1	5/16" X 1.5" HEX BOLT GRD 5

- NOTES:
- REFER TO SoftStop® (8" COMPOSITE BLOCKS) ASSEMBLY MANUAL.
 - PROPER SITE GRADING SHOULD BE ACCOMPLISHED IN ACCORDANCE WITH LOCAL SPECIFYING AGENCY GUIDELINES AND THE AASHTO ROADSIDE DESIGN GUIDE.
 - DO NOT ATTACH THE SoftStop® DIRECTLY TO A RIGID BARRIER.
 - UNDER NO CIRCUMSTANCES SHALL THE GUARDRAIL WITHIN THE SoftStop® BE CURVED.
 - MANUFACTURER SUGGESTS CUSTOMER TO PROVIDE REFLECTORIZATION OF THE TERMINAL.
 - IT IS ACCEPTABLE TO INSTALL THE SoftStop® IMPACT HEAD PARALLEL TO THE GRADE LINE OR WITH AN UPWARD TILT. SEE SoftStop® ASSEMBLY MANUAL FOR SPECIFIC DETAILS.

DRAWN: D. Hayes Jr	DATE: 7/7/2020	MODEL: SS653-Rev L			
CHECKED: K. Looney	DATE: 7/30/2020	TRAFFIC DIRECTION: UNI-DIRECTIONAL			
UNLESS OTHERWISE NOTED, DIMENSIONS ARE IN MILLIMETERS (INCH). DIMENSIONS ACCORDING TO ASME Y14.5-2018 AND QMS-SE-003 UNLESS OTHERWISE SPECIFIED.					
REVISION DESCRIPTION	ECO	DATE	REV	BY	CHK
INITIAL RELEASE	7258	-	-	-	-
SEE SHT 1	8168	08/08/22	A	ML	EH

85-03-17 SoftStop® System,
 MASH(16) End Terminal
 (2'-1" Mounting Height / TL-2 / Parallel)
 FLORIDA APL NO. 536-007-003



© Valtir, LLC. All rights reserved.