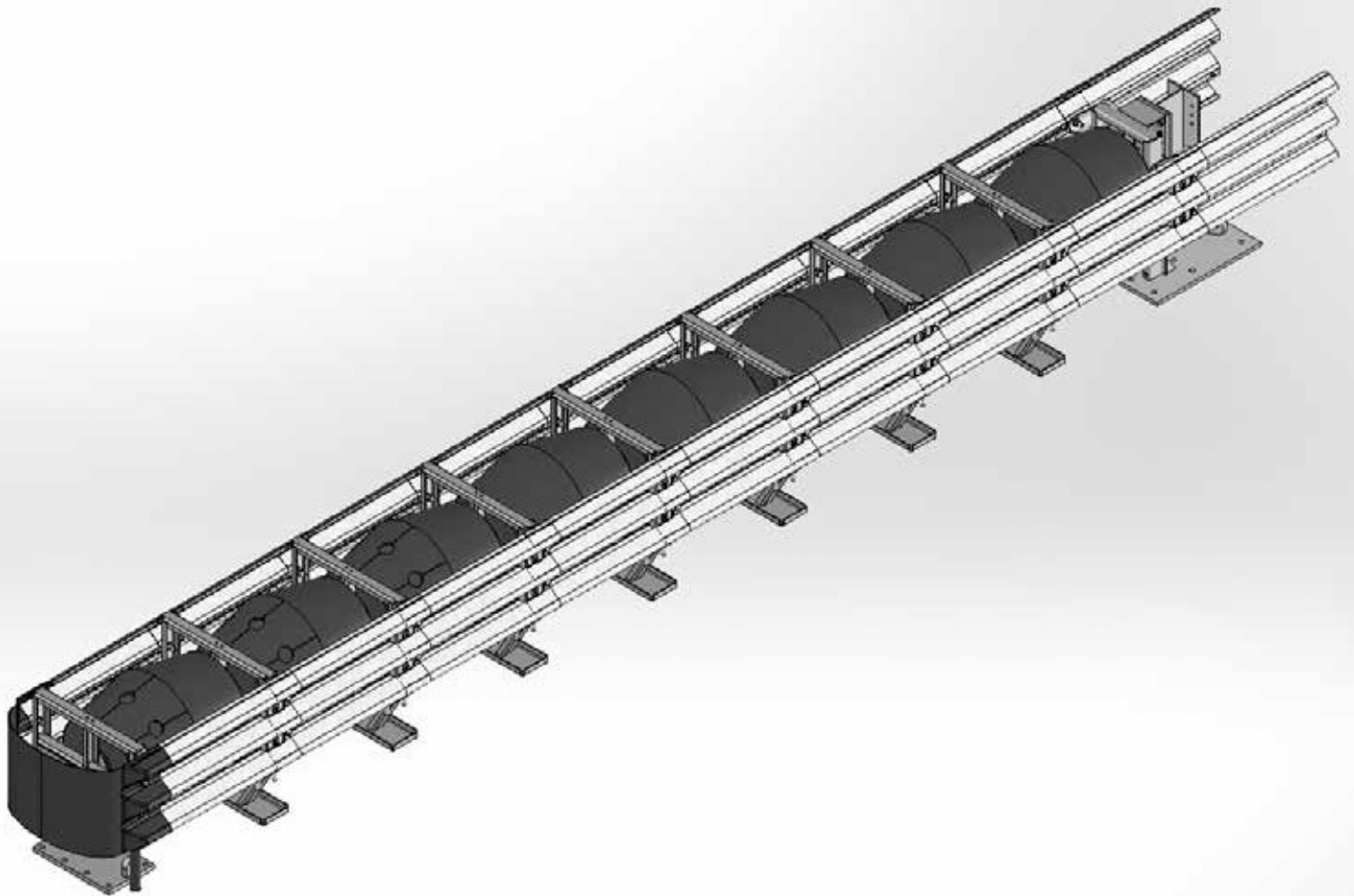


## UNIVERSAL TAU-II®

NCHRP 350 TL-3 Redirective, Non-Gating, Crash Cushion





---

## STANDARD LIMITED WARRANTY

Lindsay Transportation Solutions, Inc. "LTS" ( formerly Barrier Systems ) has tested the impact performance of its barriers and crash cushion systems, and other highway safety hardware under controlled conditions, however, LTS does not represent nor warrant that the results of those controlled conditions would necessarily avoid injury to persons or property. LTS EXPRESSLY DISCLAIMS ANY WARRANTY OR LIABILITY FOR CLAIMS ARISING BY REASONS OF DEATH OR PERSONAL INJURY OR DAMAGE TO PROPERTY RESULTING FROM ANY IMPACT, COLLISION OR HARMFUL CONTACT WITH THE PRODUCTS OR NEARBY HAZARDS OR OBJECTS BY ANY VEHICLE, OBJECTS OR PERSONS.

LTS warrants that any product or component part manufactured by LTS will be free from defects in material or workmanship. LTS will replace free of cost any Product or component part manufactured by LTS that contains such a defect.

THE FOREGOING WARRANTY IS IN LIEU OF AND EXCLUDES ALL OTHER WARRANTIES NOT EXPRESSLY SET FORTH HEREIN, WHETHER EXPRESS OR IMPLIED BY OPERATION OF LAW OR OTHERWISE, INCLUDING BUT NOT LIMITED TO ANY IMPLIED WARRANTIES OF MERCHANTABILITY OR FITNESS FOR A PARTICULAR PURPOSE.

LTS' LIABILITY UNDER THIS WARRANTY IS EXPRESSLY LIMITED TO REPLACEMENT FREE OF COST (IN THE FORM AND UNDER THE TERMS ORIGINALLY SHIPPED), OR TO REPAIR OR TO MANUFACTURE BY LTS, PRODUCTS OR PARTS NOT COMPLYING WITH LTS SPECIFICATIONS, OR, AT LTS' ELECTION, TO THE REPAYMENT OF AN AMOUNT EQUAL TO THE PURCHASE PRICE OF SUCH PRODUCTS OR PARTS, WHETHER SUCH CLAIMS ARE FOR BREACH OF WARRANTY OR NEGLIGENCE. LTS SHALL NOT BE LIABLE FOR ANY INCIDENTAL, CONSEQUENTIAL OR SPECIAL LOSSES, DAMAGES OR EXPENSES OF ANY KIND, INCLUDING, WITHOUT LIMITATION, ANY SUCH LOSSES, DAMAGES OR EXPENSES ARISING DIRECTLY OR INDIRECTLY FROM THE SALE, HANDLING OR USE OF THE PRODUCTS FROM ANY OTHER CAUSE RELATING THERETO, OR FROM PERSONAL INJURY OR LOSS OF PROFIT.

Any claim by the Buyer with reference to Products sold hereunder for any cause shall be deemed waived by the Buyer unless LTS is notified in writing, in the case of defects apparent on visual inspection, within ninety (90) days from the delivery date, or, in the case of defects not apparent on visual inspection, within twelve (12) months from the said delivery date. Products claimed to be defective may be returned prepaid to LTS' plant for inspection in accordance with return shipping instructions that LTS shall furnish to the Buyer forthwith upon receipt of the Buyer's notice of claim. If the claim is established, LTS will reimburse that Buyer for all carriage costs incurred hereunder.

The forgoing warranty benefits shall not apply to (i) any Products that have been subject to improper storage, accident, misuse or unauthorized alterations, or that have not been installed, operated and maintained in accordance with approved procedures and (ii) any components manufactured by the Buyer.

**TABLE OF CONTENTS**

Preface ..... 4  
 Introduction ..... 4  
 System Overview ..... 4  
 Required Tools ..... 4  
 Before Installation ..... 5  
 Limitations and Warnings..... 5  
  
 Parts Index ..... 6

**PARALLEL SYSTEM INSTALLATION**

Preparing for installation ..... 8  
 Step 1. Backstop Installation ..... 10  
 Step 2. Rear Cable Anchor Installation ... 11  
 Step 3. Front Cable Anchor Installation ... 12  
 Step 4. Install Diaphragms ..... 13  
 Step 5. Install Guide Cables ..... 14  
 Step 6. Attach Pipe Panel Mounts ..... 15  
 Step 7. Install Side Panels ..... 16  
 Step 8. Assemble Nose Assembly ..... 18  
 Step 9. Install Energy Absorbing  
     Cartridges ..... 19  
 Step 10. Tension Guide Cables ..... 20  
 Step 11. Final Inspection ..... 20

**TAPERED SYSTEM INSTALLATION**

Introduction ..... 21  
 System Overview ..... 22  
 Required Tools ..... 22  
 Step 1. Foundation Requirements ..... 23  
 Step 2. Anchoring System ..... 24  
 Step 3. Assemble Bulkheads ..... 25  
     The Front Support ..... 26

Middle Assembly ..... 27  
 Step 4. Backstop Assemblies ..... 30  
     Compact Backstop ..... 31  
     Flush Mount Backstop ..... 32  
     Wide Flange Backstop ..... 33  
 Step 5. Attach Side Panels ..... 35  
 Step 6. Attach Nose Piece ..... 36  
 Step 7. Install Cables / Guides ..... 37  
 Step 8. Stretch and Align System ..... 39  
 Step 9. Tension Cables / Torque  
     Sliders bolts ..... 39  
 Step 10. Install Lateral Support Cables ..... 40  
 Step 11. Insert Energy Absorbing  
     Cartridges ..... 42  
 Step 12. Final Inspection ..... 43

**APPENDIX**

**A.** System Configuration Chart ..... 44  
**B.** System Torque Chart ..... 46  
**C.** System Foundation Drawings..... 47  
**D.** System Transition Drawings ..... 63  
**E.** Installation Instructions to BarrierGuard  
     800 Steel Barrier ..... 76

## **PREFACE**

The Barrier Systems, Inc. (BSI), Universal TAU-II crash cushion system incorporates the newest roadside safety materials and engineering processes.

As with any roadside safety device, the Universal TAU-II system must be installed properly to insure proper performance. Thoroughly review and fully understand the installation instructions and product limitations before starting the installation. Do not start the installation without the proper plans and tools required for installation.

**If you need additional information, or have questions about the Universal TAU-II Crash Cushion, please call the BSI Customer Service Department at (888) 800-3691 (U.S. toll free) or (707) 374-6800.**

## **INTRODUCTION**

The TAU-II system has been tested to meet the rigorous requirements of NCHRP Report 350, Test Levels 2 and 3. The systems will be provided in lengths and capacities for both low speed and high speed applications.

The TAU-II system is redirective and non-gating, and is ideally suited for narrow hazards such as the ends of rigid barriers, tollbooths, utility poles and more. Ease of installation, numerous transition options, low maintenance requirements, and reusability of system components make the TAU-II system ideal for treating many roadside hazards.

Redirective, non-gating crash cushions are highway safety devices whose primary function is to improve the safety for occupants of errant vehicles that impact the end of rigid or semi-rigid barriers or fixed roadside hazards by absorbing the kinetic energy of impact or by allowing controlled redirection of the vehicle. These devices are designed to safely decelerate an errant vehicle to a safe stop or redirect an errant vehicle away from roadside or median hazards. These types of systems are typically applied to locations where head-on and angled impacts are likely to occur and it is desirable to have the majority of post impact trajectories on the impact side of the system.

## **SYSTEM OVERVIEW**

The Universal TAU-II system is designed and constructed to provide acceptable structural adequacy, minimal occupant risk and safe vehicle trajectory as set forth in NCHRP 350 for redirective, non-gating crash cushions. Refer to Figure 1 to familiarize yourself with the basic parts and part names of the system.

The Universal TAU-II system is designed to shield the ends of median barriers and other fixed objects likely to be struck head-on, by absorbing and dissipating the kinetic energy of impacting vehicles. Universal TAU-II systems utilize disposable Energy Absorbing Cartridges (EACs) to absorb the kinetic energy of the impacting vehicle. The EACs are separated by diaphragms and held in place with a framework of three-beam corrugated steel rail panels that “telescope” rearward during head-on impacts. As the vehicle compresses the cushion, it exerts a force on the first bay containing an EAC. The diaphragms distribute the impact forces uniformly to all the remaining cartridges in each bay until the vehicle eventually stops. The depth of penetration is dependent upon both the original impact speed and the mass of the impacting vehicle. Only the Energy Absorbing Cartridges are expended after most head-on impacts.

When hit at an angle along the side, the system is restrained laterally by guidance cables that run the length of the system and attach to the bottoms of the diaphragms and terminate at the anchors at each end of the system. The front and rear cable anchors are attached to the foundation as described in Appendix A Foundation Requirements.

## **BEFORE TAU-II INSTALLATION**

Placement and use of the TAU-II system should be accomplished in accordance with the guidelines and recommendations set forth in the “AASHTO Roadside Design Guide,” FHWA memoranda and other state and local standards.

Depending on the application and circumstances at the job site, installation and assembly of a Test Level 3 system should take a two-person crew less than 3 hours.

The TAU-II is a highly engineered safety device made up of a relatively small amount of parts. Before

starting the assembly, become familiar with the basic elements that make up the TAU-II system. The TAU-II system components are illustrated separately in Figure 1 (Pages 6-7).

### **Limitations and Warnings**

The Universal TAU-II system has been rigorously tested and evaluated per the recommendations in the NCHRP Report 350 Guidelines for terminals and crash cushions. The impact conditions recommended in NCHRP 350 are intended to address typical in-service collisions.

When properly installed and maintained, the system is capable of stopping or containing and redirecting impacting vehicles in a predictable and safe manner under the NCHRP 350 impact conditions. Vehicle impacts that vary from the NCHRP 350 impact conditions described for redirective, nongating, crash cushions may result in significantly different results than those experienced in testing.

Vehicle impact characteristics different than or in excess of those encountered in NCHRP 350 testing (speed and angle) may result in system performance that may not meet the NCHRP 350 evaluation criteria.

**If you need additional information, or have questions about the Universal TAU-II Crash Cushion, please call the BSI Customer Service Department at (888) 800-3691 (U.S. toll free) or (707) 374-6800.**

### **PROVIDED TOOLS**

- Long bolt for nested slider panel installation
- Allen socket for the slider bolt assembly
- Cable socket

### **REQUIRED TOOLS**

- ½" [12 mm] drive deep sockets:
  - 7/16 [11 mm]
  - 9/16 [14 mm]
  - ¾ [19 mm]
  - 13/16 [21 mm]
  - 7/8 [22 mm]
  - 15/16 [24 mm]
  - 1 1/8 [29 mm]
  - 1 ¼ [32 mm]
- 3/4" [19mm] combination end wrench
- ½" (12 mm) drive ratchet with extensions
- Rotohammer for drilling holes in concrete:
- 7/8" [22 mm] X 10" [250 mm] bit for chemical anchors
- ½" Torque wrenchs:
- 20 ft-lbs [27 N-m] and 500 ft-lbs [680 N-m] capacity
- Measuring tape
- Safety Equipment: Glasses, Gloves
- ½" (12 mm) Air impact wrench (Optional)

**Note: The tools list is a general recommendation. Depending on the specific characteristics of the job site, more or less tools may be necessary.**

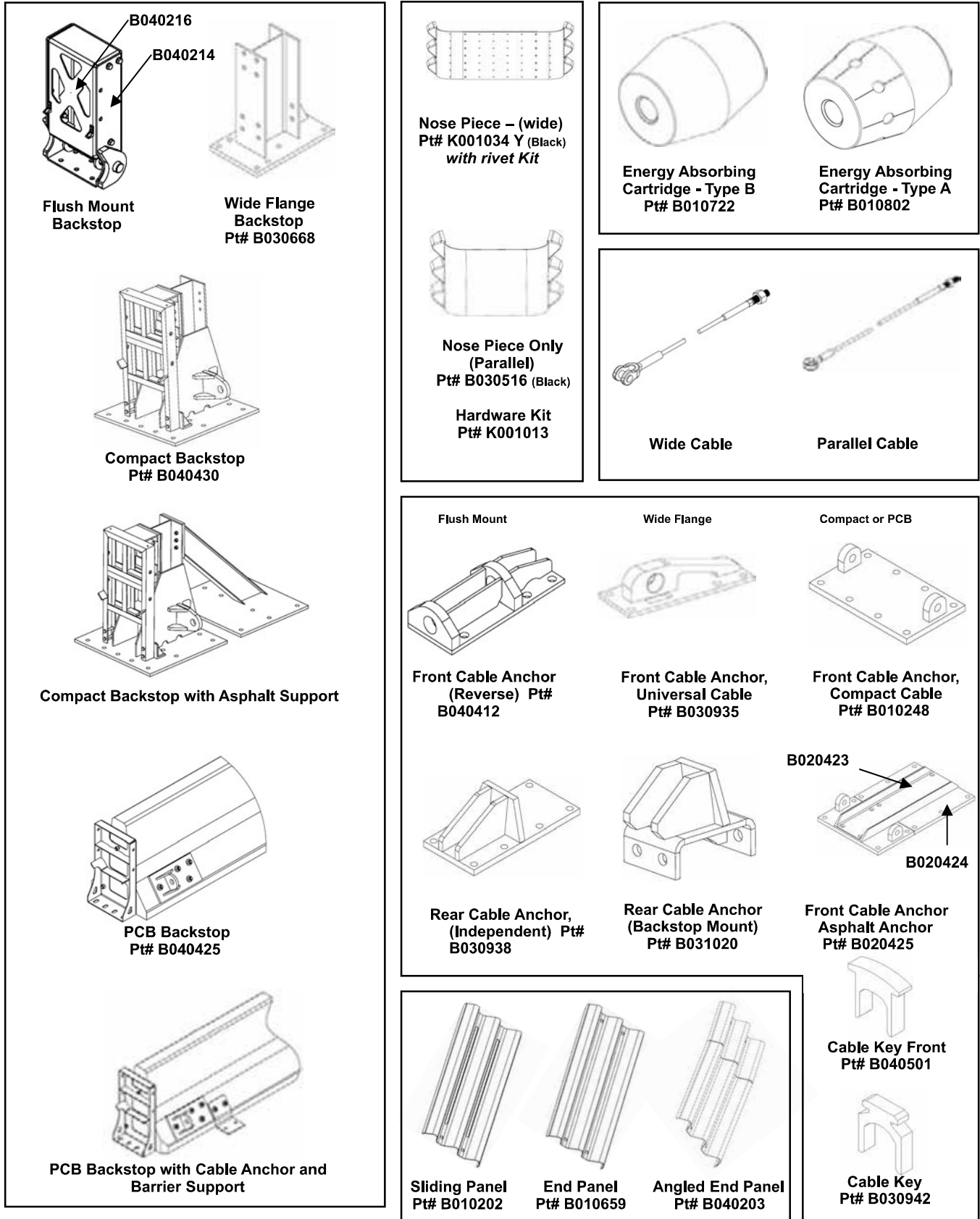
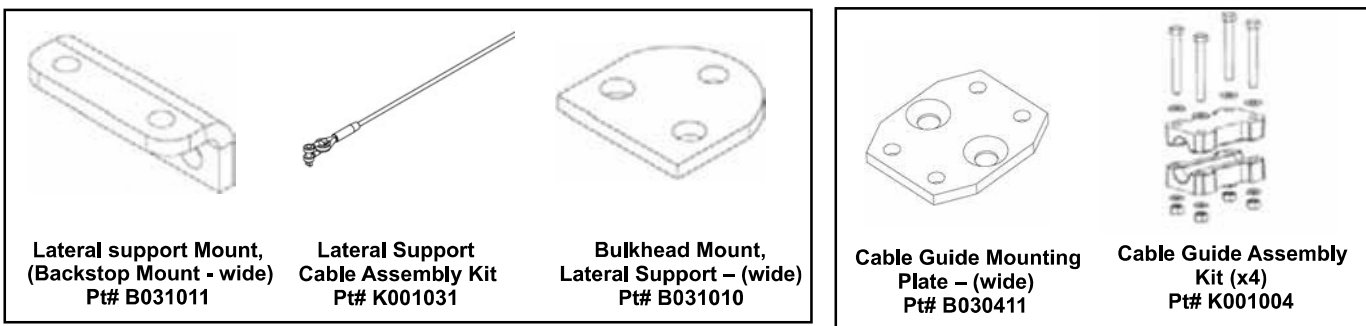
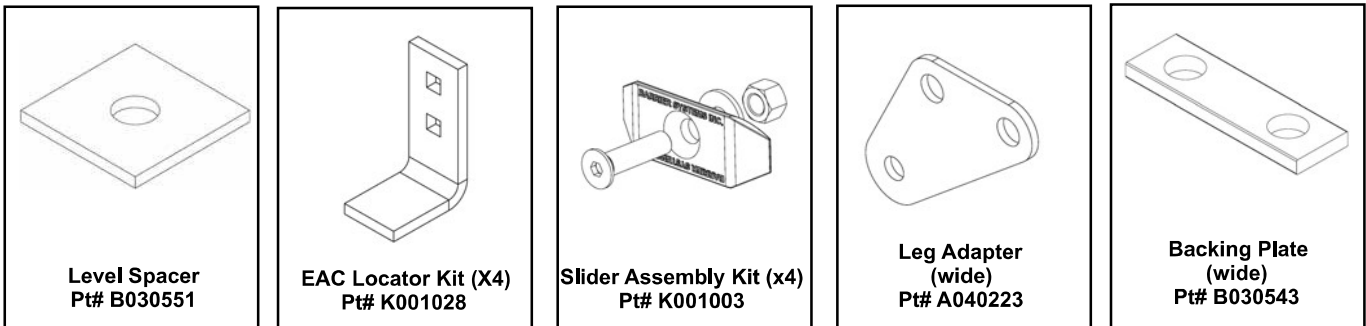
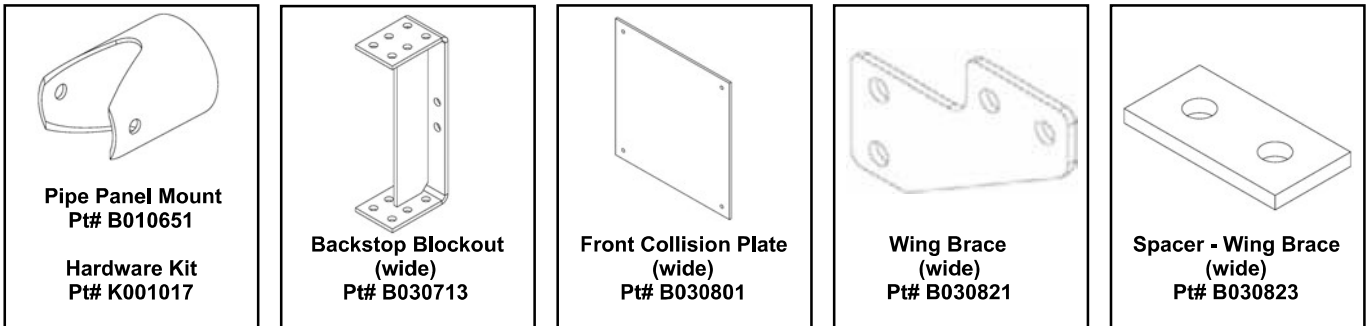
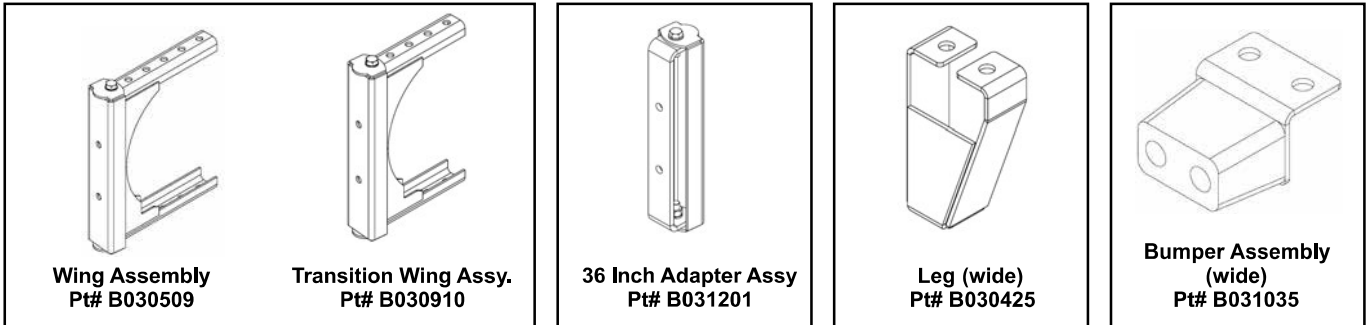
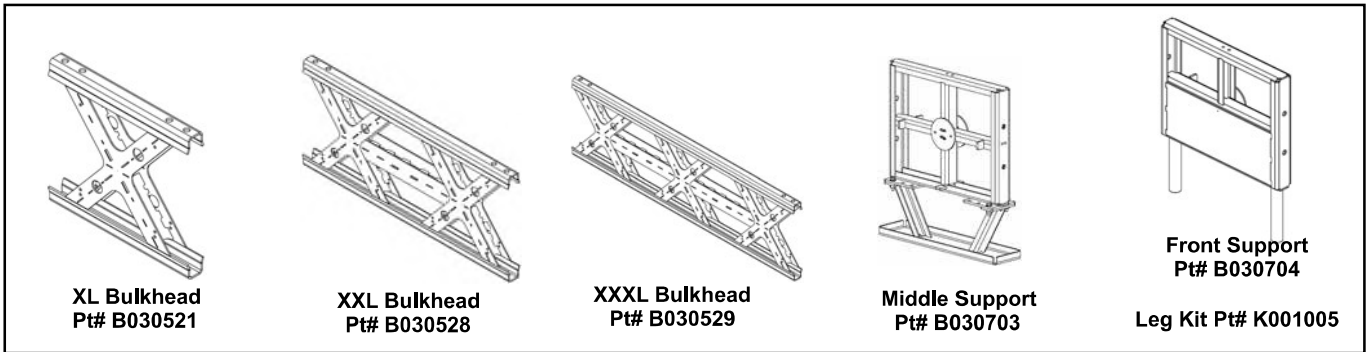
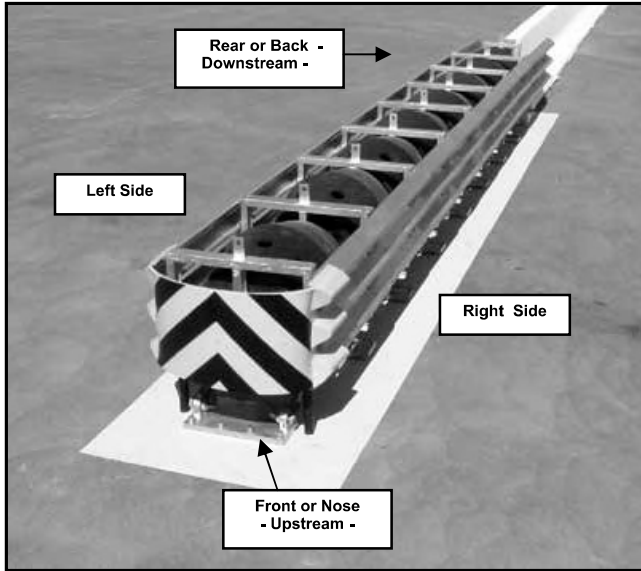


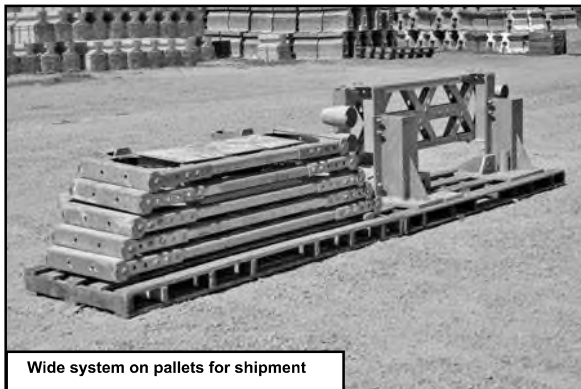
Figure 1. Illustrated parts list





**Sign Conventions**

The picture of the TAU-II system above is labeled to show the descriptive terms that will be used throughout this manual.



**Preparing for installation**

Depending on the size of the system ordered, the parts will be shipped on two to five pallets. Assembly of the TAU-II system is typically done at the worksite. (If preferred, the system can be assembled “off-site” and set into position as one piece, with a forklift or crane.)

Before beginning the assembly of the TAU-II system, check the packing list to be certain that all of the system components were included in the shipment.

The TAU-II Crash Cushion system has been designed to attach to concrete or asphalt foundations. BSI recommends that at a minimum, the system be anchored to standard six-inch reinforced 4,000 psi (28 MPa) Portland Cement Concrete (PCC) pad or roadway, or 8” (200 mm) AR-4000 Asphalt Concrete. When installing to concrete, care must be taken when building the concrete pad to space the rebar so as to minimize interference with the anchor bolt holes.

**(See Appendix “C”, Page 47, for BSI recommended foundation options and material specifications.)**

**NOTE:**

It is important to determine the system’s installation position and angle, to optimize proper function and transition.

This system is available in two configurations:

- 1) The system can be attached directly to the end of a concrete barrier, utilizing the “PCB Backstop” (BSI part # B040425) or the “Flush Mount Backstop” (BSI part # B040219).
- 2) The second configuration utilizes a “Compact Backstop” (BSI part # B010537) which is a free standing back support.

This manual describes the installation procedure for an 8 bay (Test Level 3) system.

**(See the System Configuration Chart in Appendix “A”, Page 44, for guidelines on choosing a system length to accommodate different traffic criteria.)**

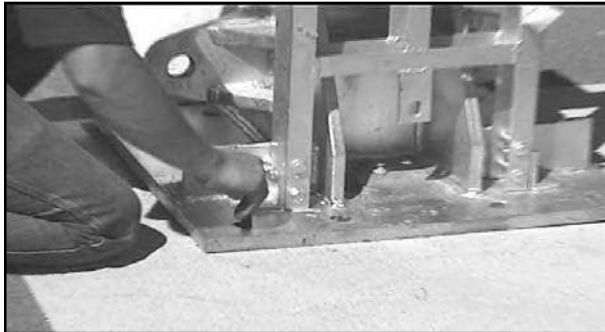


Depending on the installation design, transition hardware may be necessary. Because each transition is unique, BSI recommends that the transition hardware be properly fitted before anchoring the system. Pre-assemble the transition

hardware before setting the system base plates to assure the proper spacing between the system and the object being treated.

***(NOTE: See Appendix "D", Page 63, for some recommended transition types)***

**CONCRETE PAD INSTALLATION**



Use the Base Plate of the Compact Backstop as a template

**Step 1. (Compact Backstop to Concrete Foundation)**

Place the Compact Backstop in the desired final installation position. Use the holes in the base plate as a template to mark the location of the anchor points. Remove the backstop and drill the anchor bolt holes. The holes should be 6" (150 mm) deep and 7/8" (22 mm) diameter. Install the anchors into the pad following the instructions included with the anchor epoxy. When the epoxy is fully cured, install the nuts and flat washers. Tighten to 120 ft-lbs (160 N-m).



Use the P.C.B. Backstop as a template to drill the holes

**Step 1. (PCB Backstop to Concrete Foundation)**

Place the PCB Backstop in the desired final installation position. Use the holes in the backstop as a template to mark the location of the anchor points. The holes should be 6" (150 mm) deep and 7/8" (22 mm) diameter. Use a caulking gun and gun insert filled with anchoring compound to secure the 3/4" x 8 1/4" (20 mm x 610 mm) galvanized anchors. Torque to 120 ft-lbs (160 N-m).

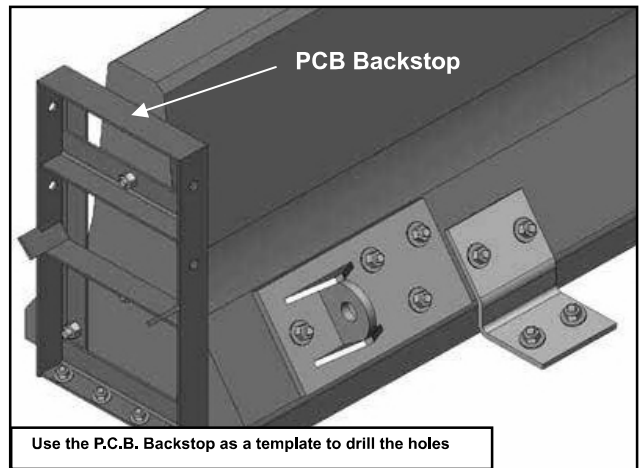
**ASPHALT INSTALLATION**



Compact Backstop Base with Asphalt Adapter

**Step 1. (Compact Backstop to Asphalt)**

If the unit is being installed on asphalt, the Asphalt Adapter must be attached to the Compact Backstop. Use the base as a template to mark the anchor point locations. All holes should be 15 to 16 1/2" (380 to 420 mm) deep. Use 18" (460 mm) anchors for the Compact Backstop and the Asphalt Adapter. Install the anchors into the foundation following the instructions included with the anchor epoxy. When the epoxy is fully cured, install the nuts and flat washers. Tighten to 120 ft-lbs (160 N-m).



Use the P.C.B. Backstop as a template to drill the holes

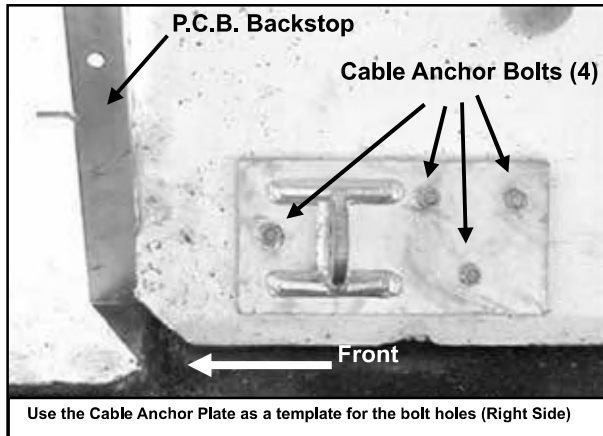
**Step 1. (PCB Backstop to Asphalt Foundation)**

Place the PCB Backstop in the desired final installation position. Use the holes in the backstop as a template to mark the location of the anchor points. The holes should be 6" (150 mm) deep and 7/8" (22 mm) diameter. Use a caulking gun and gun insert filled with anchoring compound to secure the 3/4" x 8 1/4" (20 mm x 610 mm) galvanized anchors. Torque to 5 ft-lbs (8 N-m).

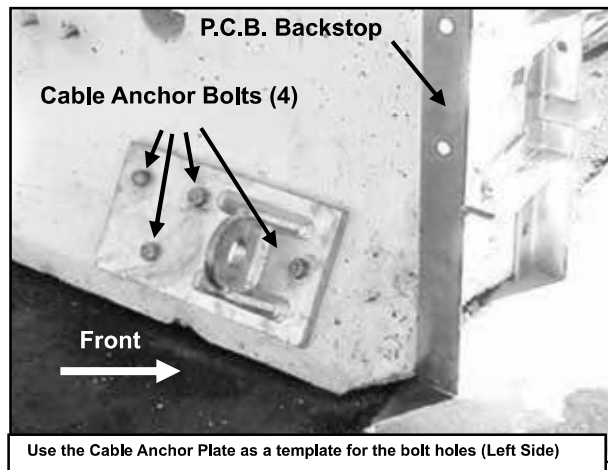
**CONCRETE PAD INSTALLATION**

**Step 2. (Concrete Rear Cable Anchors)**

**NOTE: IF YOU ARE USING THE COMPACT BACKSTOP, SKIP TO STEP 3.**



Use the holes in the plate as a template to mark the location of the holes for the anchor studs. (There is one Cable Anchor for each side of the P.C.B.). The holes should be drilled 6" (150 mm) deep and 7/8" (22 mm) in diameter. Install the (all thread) studs into the PCB following the instructions included with the anchor epoxy. When the epoxy is fully cured, install the nuts and flat washers. Tighten to 120 ft-lbs (160 N-m).

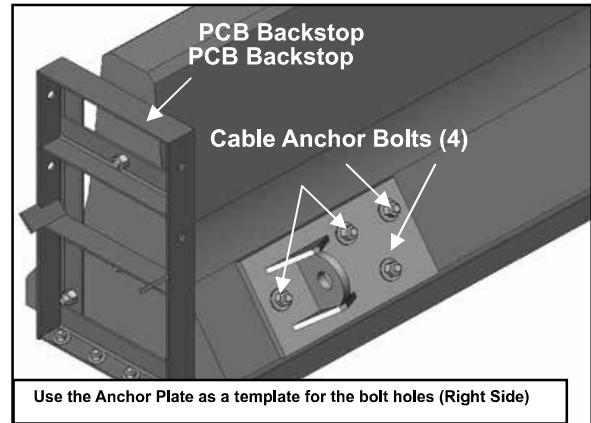


**NOTE: For proper system performance, the concrete barrier must be rigidly attached to an adequate foundation. See Appendix "C" for Anchor Foundation Options and Page 24 for anchoring material options..**

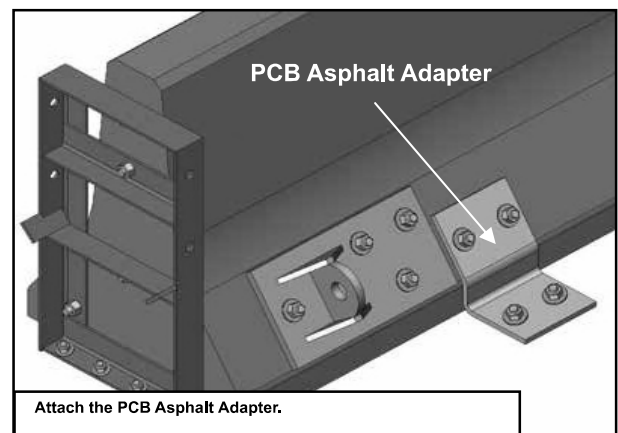
**ASPHALT INSTALLATION**

**Step 2. (Asphalt Rear Cable Anchors)**

**NOTE: IF YOU ARE USING THE COMPACT BACKSTOP, SKIP TO STEP 3.**

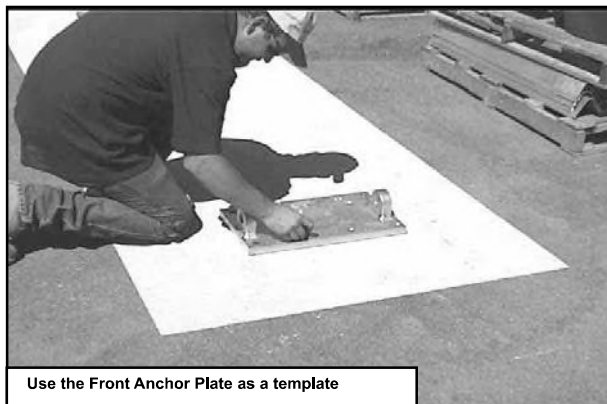


Refer to the Installation Drawings in Appendix "C" to determine the correct Cable Anchor installation position. Use the holes in the plate as a template to mark the location of the holes for the anchor studs. (There is one Cable Anchor for each side of the P.C.B.). The holes should be drilled 6" (150 mm) deep and 7/8" (22 mm) in diameter. Install the (all thread) studs into the PCB following the instructions included with the anchor epoxy. When the epoxy is fully cured, install the nuts and flat washers. Tighten to 120 ft-lbs (160 N-m)



Attach the PCB Asphalt Adapter. Drill holes 6" (150 mm) deep and 7/8" (22 mm) in diameter in the concrete barrier. Drill 15 to 16 1/2" (380 to 420 mm) in the foundation and install 18" (460 mm) anchors following the instructions included with the anchor epoxy. When the epoxy is fully cured, install the nuts and flat washers. Tighten to 120 ft-lbs (160 N-m).

**CONCRETE PAD INSTALLATION**



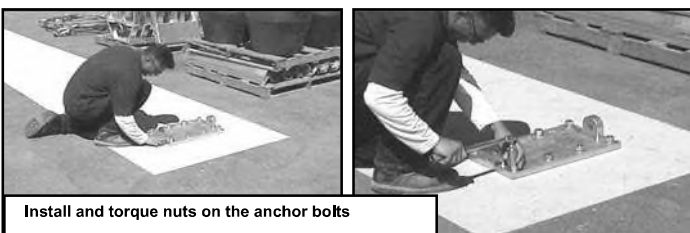
Use the Front Anchor Plate as a template

**Step 3. (Concrete Front Cable Anchor)**

Place the Front Cable Anchor in the desired final installation position. Use **Appendix C** for layout dimensions. Use the holes in the plate as a template to mark the location of the anchor points. Remove the plate and drill the anchor bolt holes to the desired size and depth. The holes should be 6" (150 mm) deep and 7/8" (22 mm) diameter.



Drill the anchor bolt holes to the proper size and depth

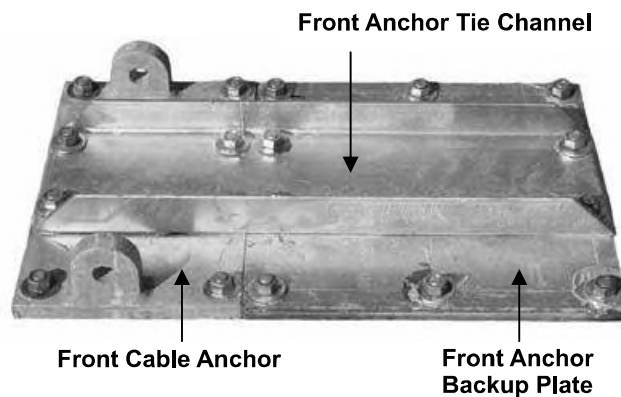


Install and torque nuts on the anchor bolts

**NOTE:**

It is important that the holes are drilled straight and in the correct position so that the plate will fit back over the bolts after they have been set with anchoring material. If the total hole depth cannot be reached due to rebar interference, a "diamond tip" drill or equivalent should be used to reach the total hole depth.

**ASPHALT INSTALLATION**



**Step 3. (Asphalt Front Cable Anchor)**

The Asphalt Front Cable Anchor is a three piece unit. Place the Front Cable Anchor and the Front Anchor Backup Plate in the desired final installation position. Use the holes in the plates as a template to mark the location of the anchor points. Remove the plates and drill the anchor bolt holes to the desired size and depth. The holes should be 15 to 16 1/2" (380 to 420 mm) deep and 7/8" (22 mm) diameter. **Install the cable and clevis pin before installing the Front Anchor Tie Channel.** Install the Front Anchor Tie Channel on top of the Front Cable Anchor and the Front Anchor Backup Plate.

**NOTE:**

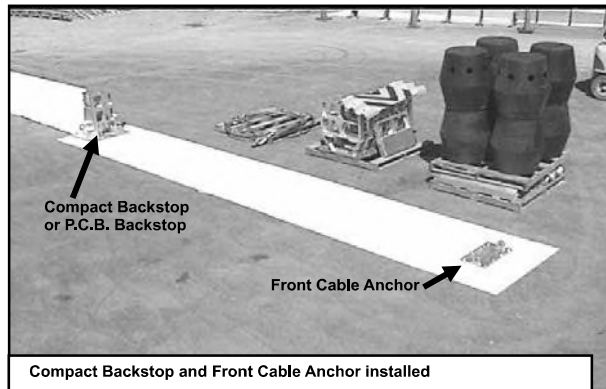
It is important that the holes are drilled straight and in the correct position so that the plate will fit back over the bolts after they have been set with anchoring material. If the total hole depth cannot be reached due to interference, a "diamond tip" drill or equivalent should be used to reach the total hole depth.

**ALL FOUNDATIONS**

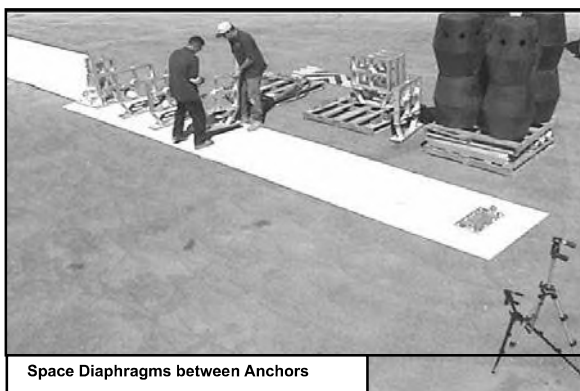
After the anchoring epoxy is properly cured, install a nut and washer on each of the anchor bolts extending through the base plates of the Backstop and Front Cable Anchor plate.

For PC Concrete foundations, torque the nuts to 120 ft-lbs (160 N-m).

For Asphaltic Concrete foundations, torque the nuts to 5 ft-lbs (8 N-m).

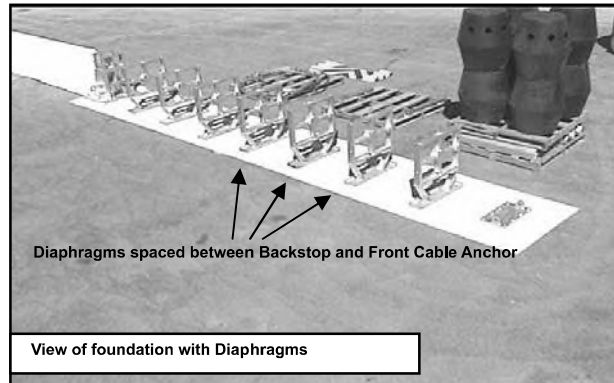


This photo shows a view of how the installation would look after the Backstop and Front Cable Anchor are securely fastened.



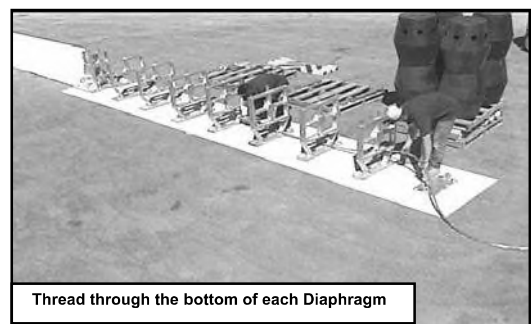
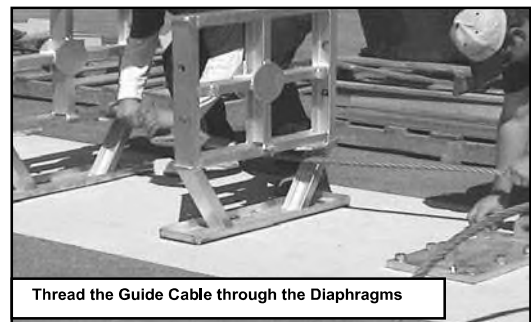
**Step 4.**

The Diaphragms should be spaced (one by one) evenly between the Front Cable Anchor and the Backstop. It is not important that they be exactly spaced at this point as they can easily be moved into the desired final assembly position when necessary.



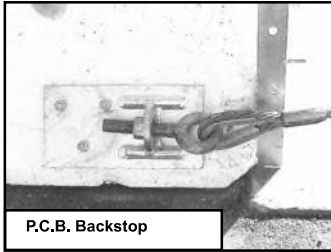
The photo above shows what the installation would look like after the diaphragms have been placed between the Backstop and the Front Cable Anchor.

**NOTE:** Do not install the Front Support Assembly and nose piece at this time, it will be installed later.



**Step 5.**

Starting at the upstream end of the system, thread the Guide Cable through the space in the bottom of the Diaphragms. Make sure to pull the threaded cable end through first so that it will end up at the back of the unit. (Make sure that the Guide Cable is threaded through the bottom of each Diaphragm.)



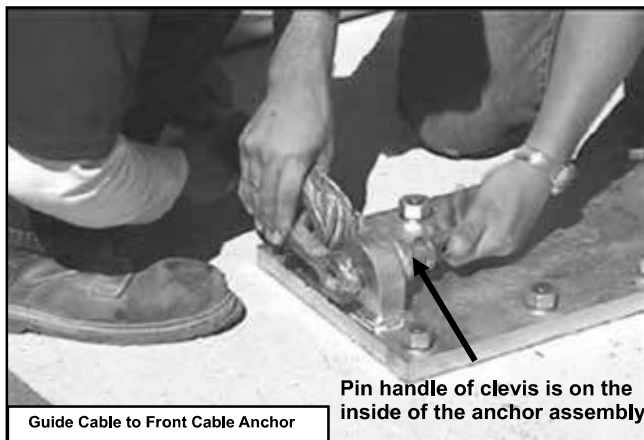
P.C.B. Backstop



Compact Backstop

Push the threaded end of the cable through the hole in the anchor tab on the left side of the Compact Backstop. Install the nut on the end of the adjusting screw.

**NOTE:** Do not thread the nut beyond the end of the adjusting screw at this time. The nut will be tightened later.

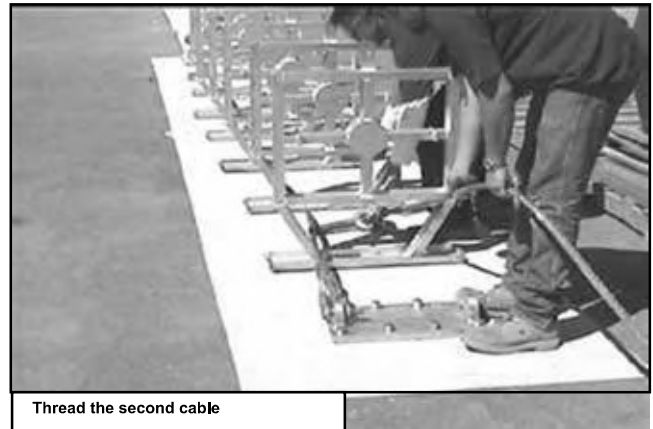


Guide Cable to Front Cable Anchor

Pin handle of clevis is on the inside of the anchor assembly

Attach the other end of the Guide Cable to the left side of the Front Cable Anchor by first removing the pin from the clevis (shackle). Place the clevis over the anchor eye and re-install the pin through the eye, making sure that the handle portion of the pin is on the inside of the anchor assembly. Firmly tighten the pin.

**For asphalt installations, the cable and clevis pin have been attached in Step 3 (Page 12).** Repeat the process outlined in steps 6, 7, and 8, for the



Thread the second cable

other cable. Install the second cable along the right side of the system without crossing the first cable.



Attach cables to bottom of Diaphragms

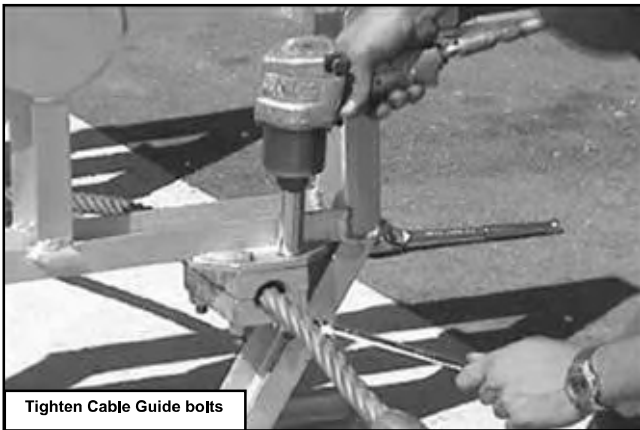
Use the Cable Guide Assembly blocks to attach the Guide Cable to the bottom cross rail of the Diaphragms. The cable blocks consist of two grooved halves that, when put together, provide a path for the Guide Cable to move through.

It is easiest to install the Cable Guides by first placing the two halves of the blocks together around the cable. Next, hold the blocks and cable up to the plate on the bottom of the Diaphragm. Push the bolt from the top down through the plate and then through the blocks.

**NOTE:** See Page 28, Figure 9 for cable guide positions for wide flange systems.

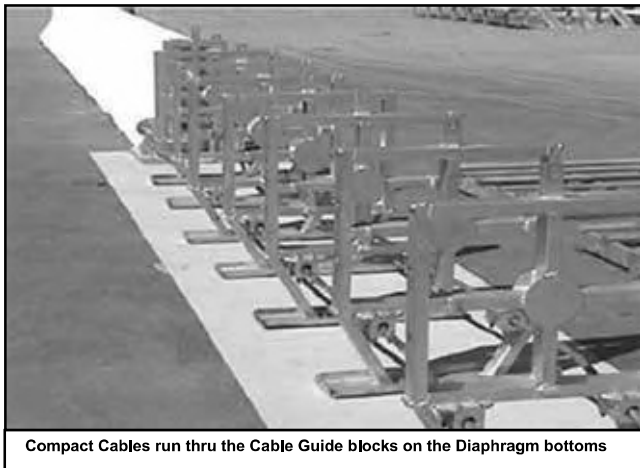
Install a lock washer and nut to secure the bolt. Continue the process until all four of the attachment bolts are installed on each Cable Guide Assembly.

**NOTE:** If properly installed, the Guide Cable should slide freely through the Cable Guide blocks and the Diaphragm should slide freely along the cable.



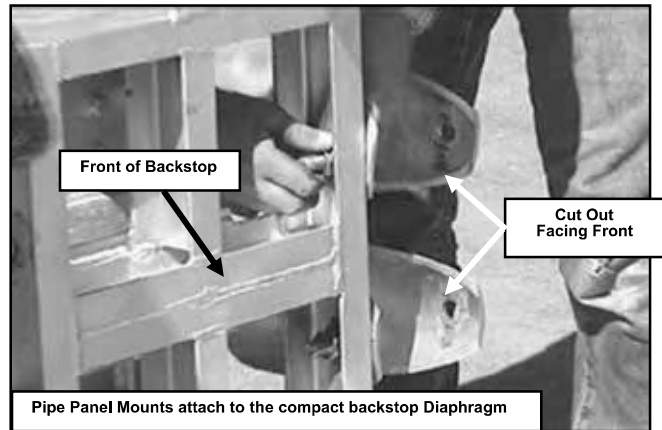
Tighten Cable Guide bolts

Use an impact wrench (or hand tools) to securely tighten the (4) bolts holding the Cable Guide blocks to the plate on the bottom of each Diaphragm. Use the Cable Guide Hardware Kit #K001004.



Compact Cables run thru the Cable Guide blocks on the Diaphragm bottoms

The photo above shows what the Diaphragms should look like after the Cable Guide blocks have been installed.



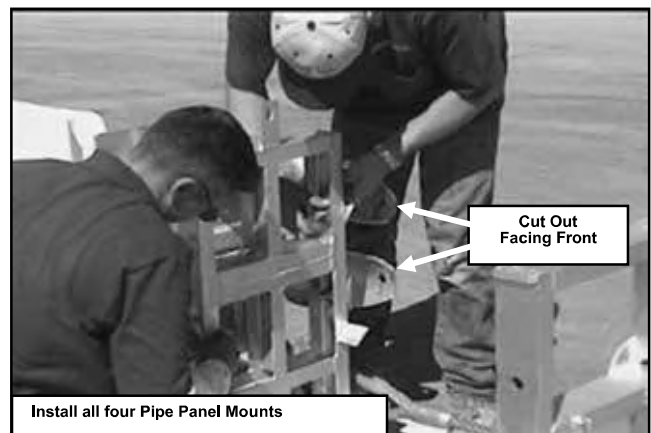
Pipe Panel Mounts attach to the compact backstop Diaphragm

**Step 6.**

Attach the Pipe Panel Mounts to the sides of the Backstop. (The End Panels are not attached directly to the Backstop Diaphragm.) The Pipe Panel Mount attaches between the Backstop Diaphragm and the End Panel to facilitate proper system performance during side impacts in this area.

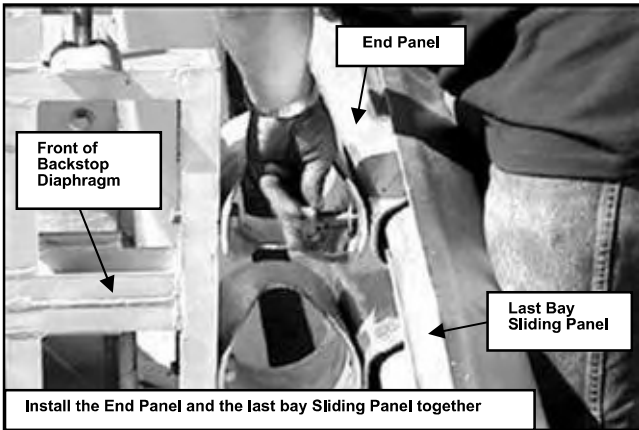
The Pipe Panel Mount is made from a piece of 6" (150 mm) diameter galvanized pipe with angles of material cut out of the top and bottom of one end.

**NOTE:** It is important that the end of the mount that is cut flat be facing the back (downstream) end of the system and that the cut out end of the Pipe Panel Mount be facing toward the front (upstream).



Install all four Pipe Panel Mounts

To attach the Pipe Panel Mount to the Backstop Diaphragm, place a washer on the attachment bolt and push the bolt through the inside hole on the Pipe Panel Mount and continue the bolt through the hole located on the side of the Diaphragm that is a part of the Backstop as shown in the photo above. Use the Pipe Panel Hardware Kit #K001017.

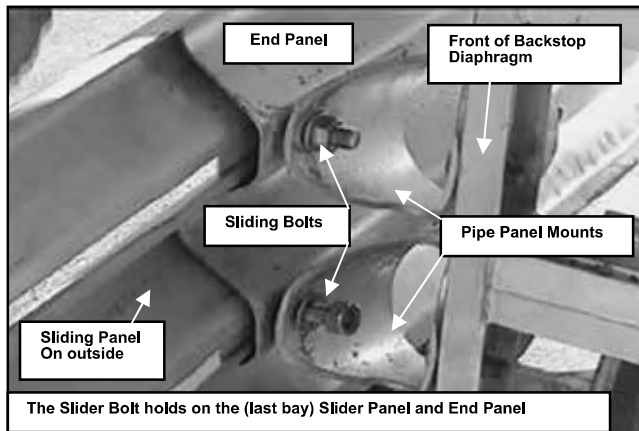


**Step 7.**

At this point you will start assembling the sides of the system. The first two side panels are installed together as the Sliding Bolt attaches both of the panels to the Pipe Panel Mount located on the side of the Backstop Diaphragm. Attach the right side End Panel and right side rear-most Sliding Panel to the Pipe Panel Mount using the Sliding Bolt.

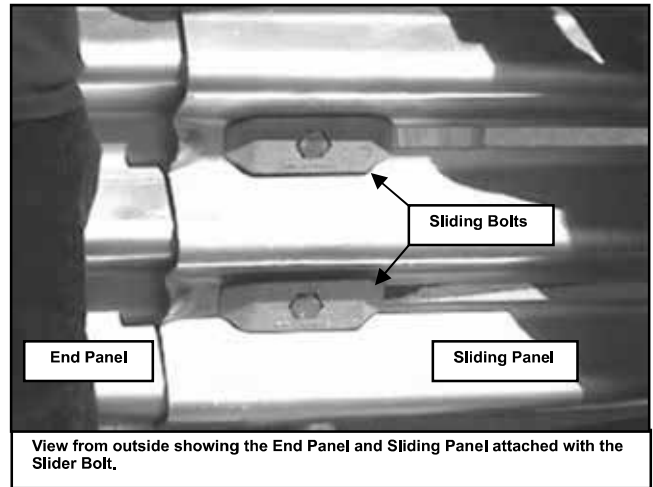
Insert the Slider Bolt through the slotted portion of the last bay Sliding Panel. Continue the bolt through the front hole of the End Panel. Continue the bolt through the bolt hole in the outside of the Pipe Panel Mount as shown in the photo above.

**NOTE: For the system to telescope properly, the slotted Sliding Panel MUST be on the outside of the End Panel.**



The photo above shows the end of the Slider Bolt coming through (from the outside) the slot in the last left bay side Sliding Panel, through the front hole of the End Panel and through the outer hole of the Pipe Panel Mount.

**NOTE: See configuration chart to determine if you have "stacked" or "nested" slider panels in some locations.**



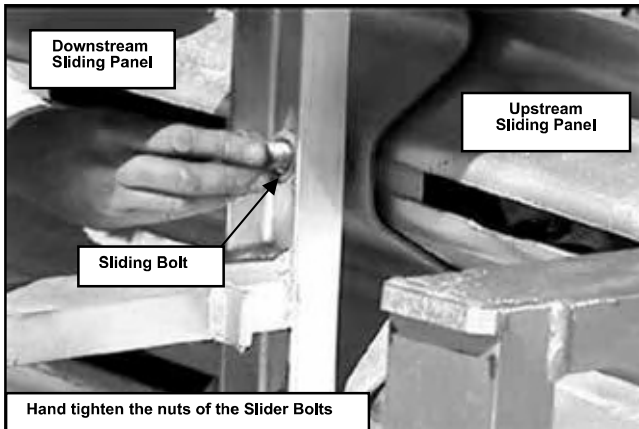
**NOTE: For ease in assembly of the rest of the system, hand tighten the nut on the Slider Bolts. The bolts will be tightened in a later step. Use Slider Bolt Hardware Kit #K001003.**



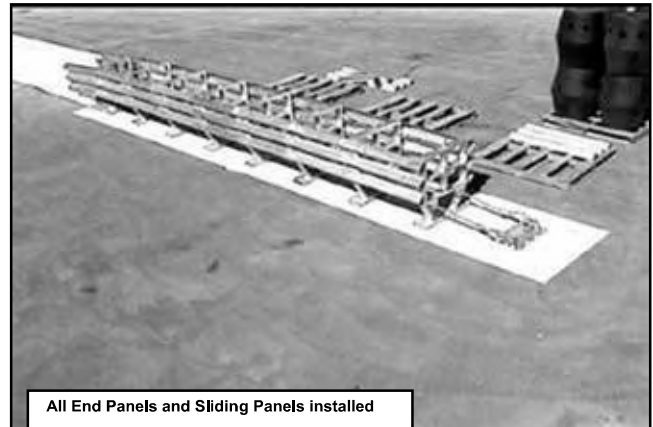
You will now attach the right side panels one-by-one, moving towards the front of the system. Attach the rear bay and second-to-last bay Sliding Panels to the first diaphragm using Sliding Bolts. Insert the Sliding Bolt through the slot in the second-to-last bay Sliding Panel. Continue pushing the bolt through the hole in the front of the last Sliding Panel and finally push the bolt through the hole in the side of the corresponding Diaphragm.

**NOTE: For the system to telescope properly, the forward most slotted Sliding Panel MUST be on the outside.**

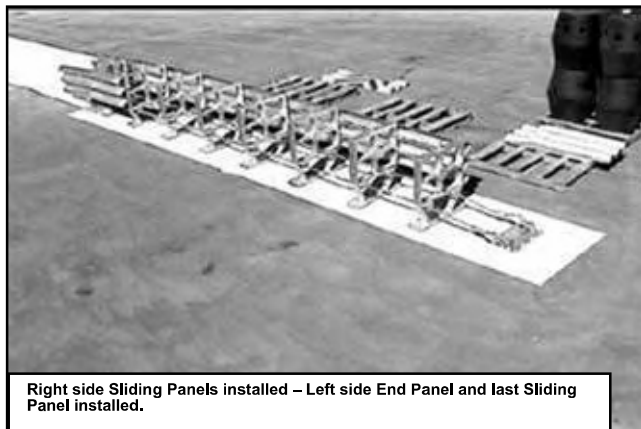




Repeat this step until all Sliding Panels have been mounted to the Diaphragms. The forward-most Sliding Panel must always be on the outside of the system (next to the mushroom head of the sliding bolt).



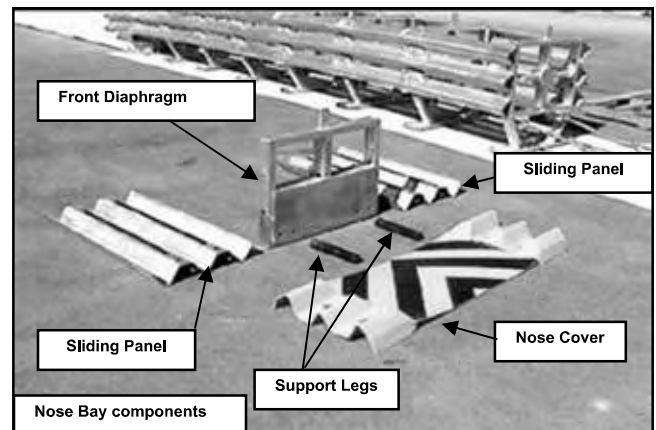
The photo above shows what the system will look like after both of the End Panels and all of the Sliding Panels have been installed.



The photo above shows what the system will look like after the End Panel and all of the Sliding Panels have been installed on the right side as well as the End Panel and rear-most Sliding Panel on the left side.

Continue attaching the Sliding Panels along the left side of the system until all of the Sliding Panels are installed.

**NOTE: For the system to telescope properly, the forward most slotted Sliding Panel MUST be on the outside.**



The final bay will be assembled separately from the rest of the system and then installed as a complete unit. The components that make up the final bay are two Sliding Panels, the Front Diaphragm, the Nose Cover and the Leg Supports.



**Step 8.**

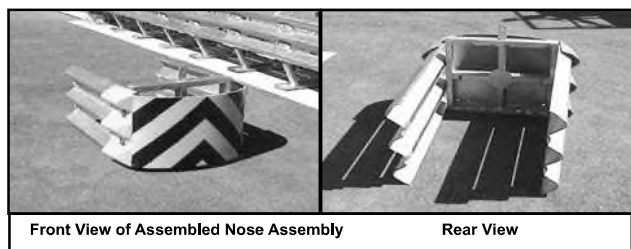
Attach the Nose Cover and left Slider Panel to the Front Support. Install the bushing in the hole of the nose piece. Install the fender washer on the machine bolt (Slider Bolt not used) and push the bolt through the bushing in the Nose Cover hole. Continue the bolt through the hole in the front edge of the last-bay Slider Panel and finally push the bolt through the hole in the Front Diaphragm. Install the washer and hand tighten the nut. (The nut will be tightened later.) Use Nose Piece Hardware Kit #K001013.

The final step in the assembly of the nose bay is to install the Support Legs. Place the nose assembly on its side. Push one of the leg support machine bolts and washer through the hole in the bottom rail of the Front Support. Screw the Leg Support onto the bolt and tighten the bolt with a wrench or socket.

**Warning: DO NOT OVER-TIGHTEN THIS BOLT.** Use the Front Support Leg Hardware Kit #K001005.

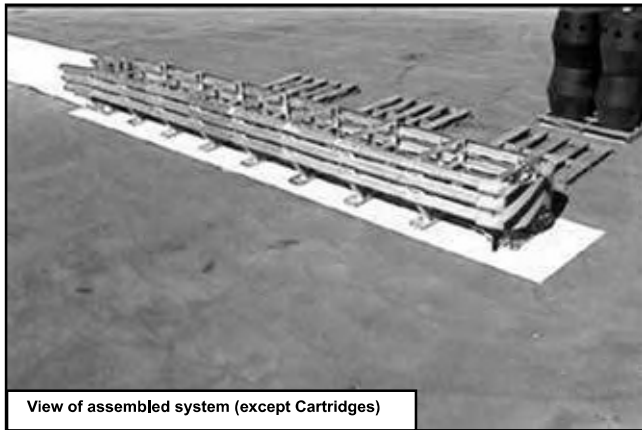


Repeat the process outlined in Step 8 with the right side of the assembly.



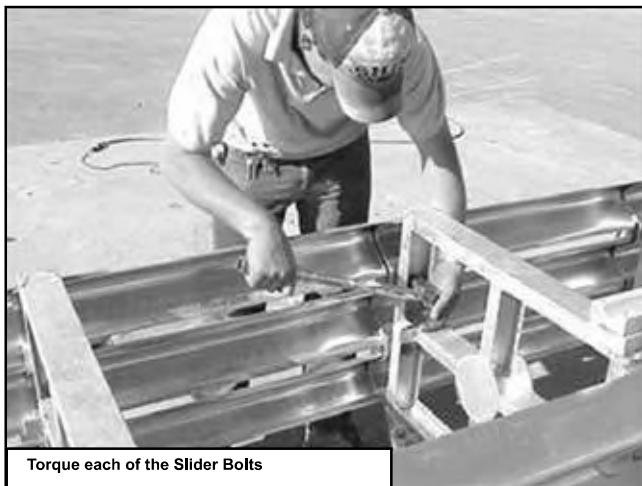
Carry the complete nose bay assembly to the front of the system. Attach the Slider Panels to the diaphragm by pushing the Slider Bolt through the slots in the final bay Slider Panels and then through the hole in the front of next bay Slider Panel. Finally, push the Slider Bolt through the hole in the side of the Diaphragm and attach the flat washer and nut.

**NOTE:** For the system to telescope properly, the forward most slotted Sliding Panel MUST be on the outside.



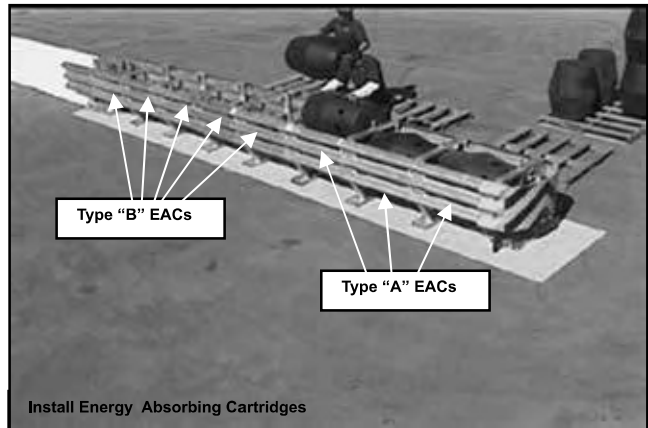
View of assembled system (except Cartridges)

It is important to make sure that the system bays are fully extended to ensure that the Energy Absorbing Cartridges will fit properly. Pull the Slider Panels of each bay until fully extended, working from the base toward the nose assembly.



Torque each of the Slider Bolts

Torque all of the Sliding Bolts to 20 ft-lbs (27 N-m). Torque the Front Panel Bolts (holding nose cover) to 200 ft-lbs (270 N-m). Do not overtighten.



Install Energy Absorbing Cartridges

**Step 9.**

Insert a Type “A” Energy Absorbing Cartridge into each of the first three (3) bays of the 8 bay (TL-3) system. The Type “A” cartridges have holes and slots on the sides toward the end of the cartridge. Install each cartridge on its side with the holes and slots facing the front (upstream) of the system.

Insert a Type “B” Energy Absorbing Cartridge into the remaining five (5) bays. The Type “B” Cartridges have three holes on one end of the cartridge. Install each cartridge on its side with the holes facing the back (downstream) of the system.

Refer to the matrix in Appendix “A” for proper cartridge configurations.

**NOTE:** For proper system performance, the Energy Absorbing Cartridges must be installed in the proper order and in the proper direction as shown in Appendix “A”.

ASPHALT INSTALLATION



Tension the Guide Cables with a torque wrench.

**Step 10.**

The final step in the installation of the TAU-II system is to apply tension to the Guide Cables that run underneath the system.

**CONCRETE INSTALLATION:**

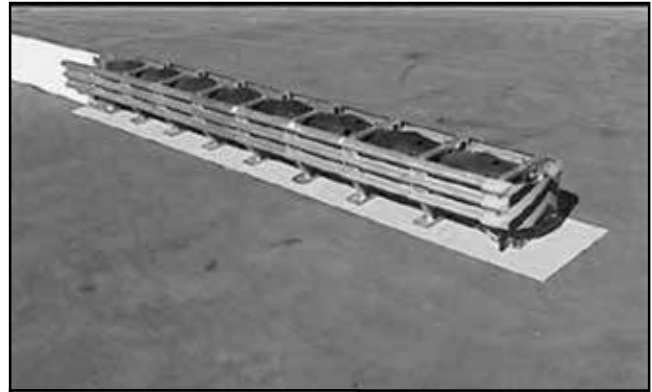
Torque the nut on the end of the threaded cable end to 500 ft-lbs (680 N-m).

Torque the nut on the end of the adjustable Eye Bolt to 120 ft-lbs (160 N-m).

***NOTE: For proper performance, the cables must be tensioned properly.***

**Step 11.**

Use the check list on page 43 to confirm that all of the installation steps have been completed.



Complete Test Level 3 system (8 bay)

The above photo shows what a completely installed Test Level 3 TAU-II system with a compact backstop will look like.

**INTRODUCTION**

This manual is organized in steps that address each of the different installation options that are available. The Universal TAU-II system is very versatile and also easy to assemble and install if these basic guidelines are followed.

The Universal TAU-II system has been tested to meet the rigorous requirements of NCHRP Report 350, Test Levels 2 and 3. The systems are provided in lengths and capacities for both low speed and high speed applications and hazard widths up to 8.5 feet [2.6m].

The Universal TAU-II system is redirective, non-gating, and is ideally suited for hazards such as the ends of rigid barriers, tollbooths, utility poles, and more. Ease of installation, numerous non-proprietary transition options, low maintenance requirements, very low life cycle costs and reusability of system components make the Universal TAU-II system ideal for treating many roadside hazards.

Redirective, non-gating crash cushions are high-

way safety devices whose primary function is to improve the safety for occupants of errant vehicles that impact the end of rigid or semi-rigid barriers or fixed roadside hazards by absorbing the kinetic energy of impact or by allowing controlled redirection of the vehicle. These devices are designed to safely decelerate an errant vehicle to a safe stop or redirect an errant vehicle away from roadside or median hazards. These types of systems are typically applied to locations where head-on and angled impacts are likely to occur and it is desirable to have the majority of post impact trajectories on the impact side of the system.

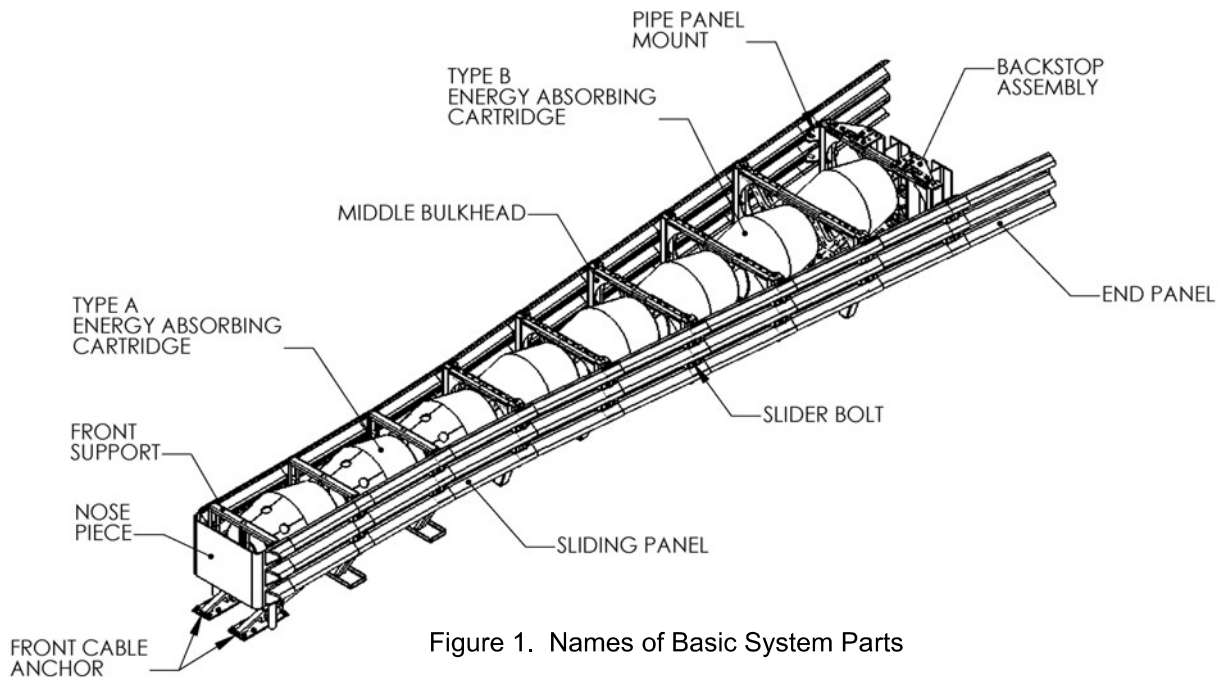


Figure 1. Names of Basic System Parts

## SYSTEM OVERVIEW

The Universal TAU-II system is designed and constructed to provide acceptable structural adequacy, minimal occupant risk and safe vehicle trajectory as set forth in NCHRP 350 for redirective, non-gating crash cushions. Refer to Figure 1 to familiarize yourself with the basic parts and part names of the system.

The Universal TAU-II system is designed to shield the ends of median barriers and other fixed objects likely to be struck head-on, by absorbing and dissipating the kinetic energy of impacting vehicles. Universal TAU-II systems utilize disposable Energy Absorbing Cartridges (EACs) to absorb the kinetic energy of the impacting vehicle. The EACs are separated by diaphragms and held in place with a framework of three-beam corrugated steel rail panels that “telescope” rearward during head-on impacts. As the vehicle compresses the cushion, it exerts a force on the first bay containing an EAC. The diaphragms distribute the impact forces uniformly to all the remaining cartridges in each bay until the vehicle eventually stops. The depth of penetration is dependent upon both the original impact speed and the mass of the impacting vehicle. Only the Energy Absorbing Cartridges are expended after most head-on impacts.

When hit at an angle along the side, the system is restrained laterally by guidance cables that run the length of the system and attach to the bottoms of the diaphragms and terminate at the anchors at each end of the system. The front and rear cable anchors are attached to the foundation as described in Appendix “C” Foundation Requirements.

**STEP 1**

**FOUNDATION REQUIREMENTS**

The Universal TAU-II crash cushion is designed to be compatible with a variety of foundations. If an existing foundation is present, verify dimensions and system layout. If modification is required, use the BSI specifications as a guideline and adapt accordingly. If no foundation is present or currently does not meet the system requirements, construct the foundation per these BSI specifications.

There are different foundation configurations depending on the system used and the type of backstop selected. Systems up to 36" [910mm] can have a P.C.B. (Portable Concrete Barrier) Backstop, Flush Mount Backstop or a stand-alone Compact Backstop. PCB and Compact Backstop systems are compatible with the optional Asphalt Anchoring Kits. Systems 42" [1070mm] and greater use a Wide Flange Backstop and require a PCC (Portland Concrete) foundation and anchoring kit.

**NOTE: Recommended maximum 8% cross slope on all foundation options.**

Foundation options for all configurations are specified in the following drawings contained in APPENDIX "C", Page 47:

- General Foundation and Anchorage Specs.  
Drawing No. A040113..... **Page 48**
- Universal TAU-II Foundation, **PCB Backstop**-PCC Concrete Pad:  
Drawing No. A040105 ..... **Page 49**
- Universal TAU-II Foundation **PCB Backstop**-PCC Block:  
Drawing No. A040117 ..... **Page 50**
- Universal TAU-II Foundation **PCB Backstop**-Asphalt Anchoring: Drawing No. A040112 ..... **Page 51**
- Universal TAU-II Foundation **Compact Backstop**-PCC Concrete Pad:  
Drawing No. A040102 ..... **Page 52**
- Universal TAU-II Foundation **Flush Mount Backstop**-PCC Pad:  
Drawing No. A040420 ..... **Page 53**
- Universal TAU-II Foundation

**Compact Backstop**-PCC Blocks: Drawing No. A040115 ..... **Page 54**

- Universal TAU-II Foundation **Compact Backstop**-Asphalt Anchor:  
Drawing No. A040110 ..... **Page 55**
- Universal TAU-II Foundation **Wide Flange Backstop**-PCC Concrete Pad:  
Drawing No. A040108 ..... **Page 56**
- Universal TAU-II Foundation **Dimensions – US Standard Units – Inches:**  
Chart 1 ..... **Page 57-59**
- Universal TAU-II Foundation **Dimensions – Metric Units – Millimeters:**  
Charts ..... **Pages 60-62**

Variations of these foundations may be reviewed and determinations made as to equivalence by the project engineer.

**If you need additional information, or have questions about the Universal TAU-II Crash Cushion, please call the BSI Customer Service Department at (888) 800-3691 (U.S. toll free) or (707) 374-6800.**

**STEP 2**

**Anchor System to Foundation**

With the proper foundation in place, anchor the Backstop, Rear Cable Anchors, and Front Cable Anchors according to the particular foundation detail (refer to Step 1).

The anchorage of the system must be in accordance with BSI foundation specifications found in Appendix “C”.

To anchor the Universal TAU-II system:

- 1.) Determine the backstop components and Front Cable Anchor positions about the centerline of the system. The foundation drawings show positioning.
- 2.) Using the actual parts as templates, either mark the holes to be drilled or drill through the parts acting as guides.
- 3.) Hole diameter and depth depends on the foundation and the anchoring compound used. See chart below for the hole diameter as specified by the anchoring compound manufacturer. Reference BSI Foundation and Anchorage Specifications in APPENDIX “C” for specific embedment depths.
- 4.) Prepare the holes as specified by the anchoring compound manufacturer.
- 5.) With the Front Cable Anchor and backstop components in place, apply the anchoring compound to the holes as specified by the manufacturer. Insert the anchors into the holes with the nuts and washers attached.
- 6.) Allow anchoring compound to cure before tightening the anchors.

The anchoring package supplied with the Universal

TAU-II system contains the necessary threaded rods and anchoring compound needed to install the system. Follow the instructions on the supplied package and reference the guidelines outlined below.

Anchor holes should be drilled using air-flushed or water-flushed rotary percussive drilling equipment. If diamond core or non-percussive drills are used, the hole must be thoroughly scoured using a coarse wire flue brush.

Other anchoring materials can be used if they comply with the following specifications: material should meet the ASTM C307 tensile strength of 2,000 psi (14 Mpa) and compressive strength of 10,000 psi (70 Mpa) per ASTM C109 or C579. The anchoring compound should provide a pull out strength of 20,000 lbf (89 kN) minimum in 4,000 psi (28 Mpa) concrete. Products such as HILTI HIT HY150 injection Adhesive Anchor, RE500 injection Adhesive Anchor or HVA Adhesive Anchoring System fit these criteria. Refer to Table 1 below for required hole size for recommended anchor compounds.

**Mechanical / Removable Anchors**

When standard chemical anchors cannot be used to secure Barrier System products as a result of state, local, site or other requirements, mechanical anchors may be used. Various mechanical anchors are available that use wedge, self-undercutting, or expansion coils to establish the locking bond with the concrete. A minimum of 18,000 lbf [80kN] ultimate load in the tension (pull out) and a shear of 22,000 lbf [98kN] is required for use with BSI products. One product recommended is the Hilti HCA item number 00252018 HCA 3/4” x 6”.

**Torque anchors set in PCC concrete to 120 ft-lbf [160 N-m]. Torque anchors set in asphalt to 5 ft-lbf [8 N-m].**

**IMPORTANT: FOLLOW MANUFACTURER’S SPECIFICATIONS FOR HOLE SIZE AND PREPARATION**

<b>ANCHORING COMPOUND</b>	<b>HOLE DIAMETER</b>
US Anchor Ultra Bond Speed Set	7/8” [22 mm]
HILTI - HIT HY 150	13/16” [20.5mm]
HILTI - HVA Adhesive Anchor System	7/8” [22 mm]
HILTI - RE 500	13/16” [20.5 mm] to 1” [25 mm]



**STEP 3**  
**Assemble Bulkheads**

The Universal TAU-II is comprised of multiple bulkheads assembled to create a variety of different system lengths and widths. Systems are constructed with different bulkheads depending on the size of the system that is needed.

As illustrated in Figure 2, systems can be fully parallel, fully tapered or a combination. Every system requires a Front Support, a series of Middle Bulkhead Assemblies and a Backstop Assembly.

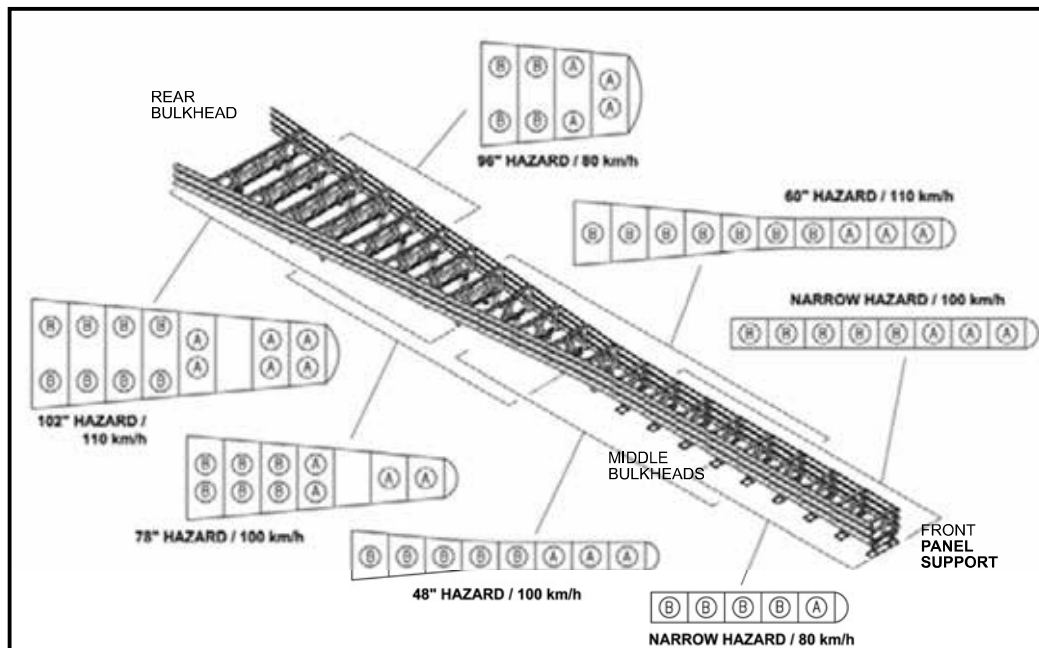


Figure 2.

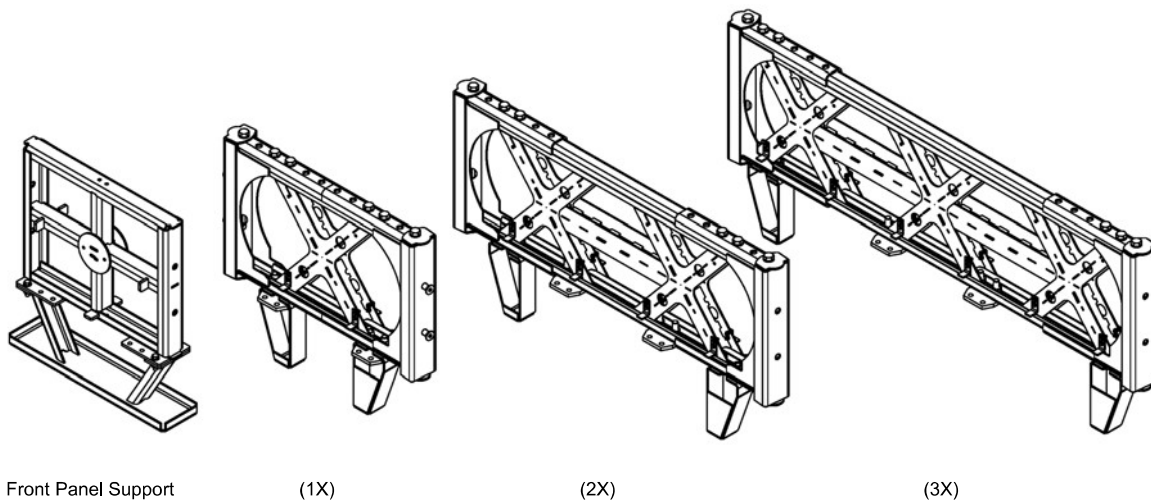


Figure 3. Middle Bulkheads

**The Front Support**

The Front Support is different from a bulkhead in that it has polymer front support Legs and it doesn't attach to the cables underneath the system. The Front Support also has metal plates called Collision Plates, attached in the impact area on the front of the assembly. The Front Support can be built in different variations depending on the system size.

*Using a Front Support:  
(parallel and combination systems)*

Parallel and combination systems use the Front Support (Figure 4). A tapered system designed with a large nose section may use a modified 1X, 2X or 3X bulkhead for the Front Support (Figure 5).

The polymer front support legs bolt directly to the bottom of the Front Support using the hardware provided. All fasteners use a lock washer or Locktite.

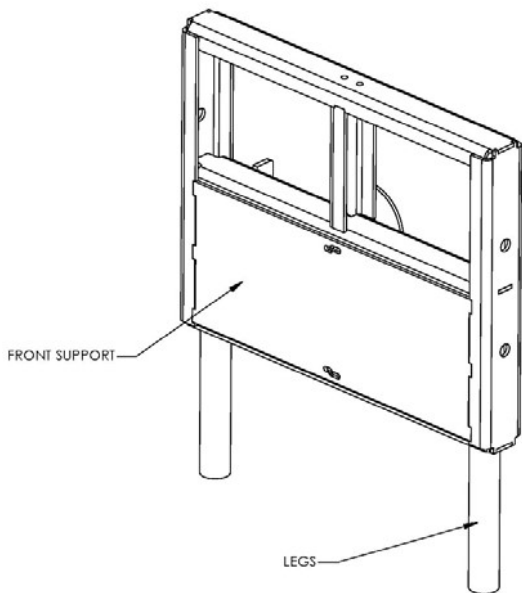


Figure 4. Use the Front Support for a parallel or combination systems.

**Using a modified Bulkhead for Front Support  
(Tapered systems)**

An X style bulkhead can also be used as a Front Panel Support. The X style bulkheads are assembled according to the specific system requirements (Figure 5). Refer to the system drawing for the front bulkhead size needed. The Wing Assemblies slide over the ends of the bulkhead weldment and adjust to the width needed.

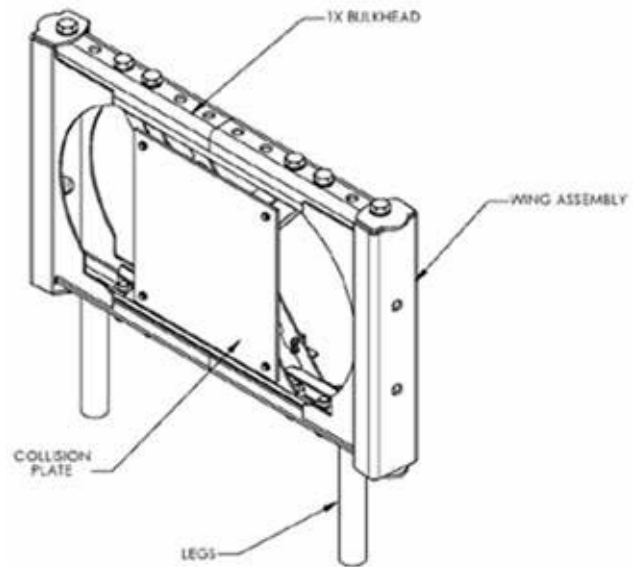


Figure 5. A 1X Style Middle Bulkhead converted into a Front Support

**A Single X Bulkhead (1X)** provides for Front Support widths of 30" [760] (using Transition Wing Assembly), 36" [910], 42" [1070], and 48" [1220].

**A Double X Bulkhead (2X)** provides for Front Support widths of 54" [1370], 60" [1525], 66" [1680], and 72" [1830].

**A Triple X Bulkhead (3X)** provides for Front Support widths of 78" [1980], 84" [2130], 90" [2290], and 96" [2440].

The Wing Assemblies are bolted in the appropriate location using Backing Plates and the hardware provided. All fasteners use a lock washer or Locktite (Figure 5).

The polymer front support legs bolt directly to the bottom of the assembly using free holes on the Wing Assemblies and the hardware provided (Figure 4,5). Some configurations require a leg adapter (Figure 6).

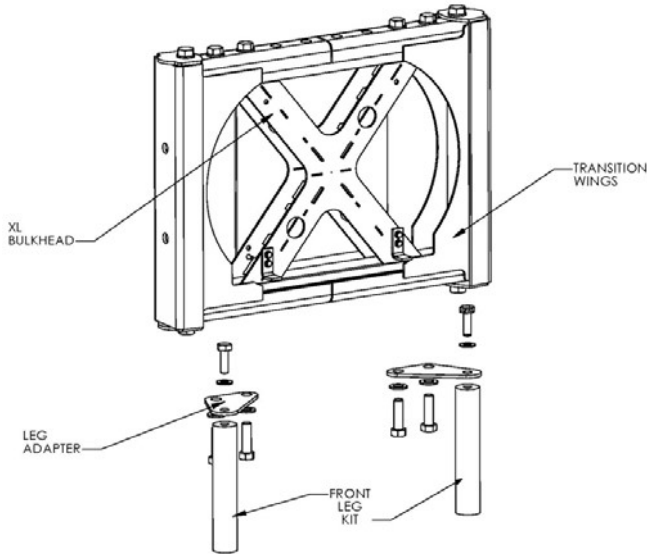


Figure 6. Leg Adapters

EAC Locating Tabs are bolted to the back of the assembly and Front Collision Plates are bolted to the front of the assembly. All fasteners use a lock washer and Locktite.

### Middle Bulkhead Assemblies

The Middle Bulkheads come in two different styles: fixed and adjustable X-style. Depending on the system's cable location, the Cable Guide Mounting plates bolt to the bottom of the assembly at one of three positions.

#### **Parallel Middle Bulkhead**

The width of the Parallel Middle Bulkhead is not adjustable and is used in systems that are totally parallel or systems that start out parallel and finish with a rear taper (Figure 7).

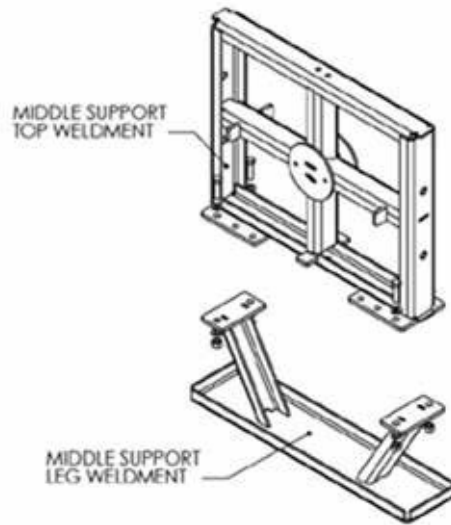


Figure 7. Parallel Middle Bulkhead

#### **Adjustable Middle Bulkheads**

The Adjustable Middle Bulkheads come in three different widths and are designated by the number of X patterns on the face of the bulkhead (Figure 3). The narrowest has a single X in its structure, the double X has two and the largest bulkhead has three X's.

All of the bulkheads have adjustable wings that are rigidly bolted on to each side (Figure 8). Using the adjustable wings, the different sized bulkheads can accommodate hazard widths up to 102" [2.6m]. The bulkheads can descend in 6" [150mm] increments until reaching the desired width.

The adjustable Middle Bulkheads are assembled according to the specific system requirements. Refer to the system drawing for the middle bulkhead sizes needed. The Wing Assemblies slide over the ends of the bulkhead and adjust to the width needed.

**Single X (1) Middle Bulkheads** provide for assembly widths of 30" [760] (using Transition Wing Assembly), 36" [910], 42" [1070], and 48" [1220].

**Double X (2X) Middle Bulkheads** provide for assembly widths of 54" [1370mm], 60" [1520mm], 66" [1680mm], and 72" [1830mm].

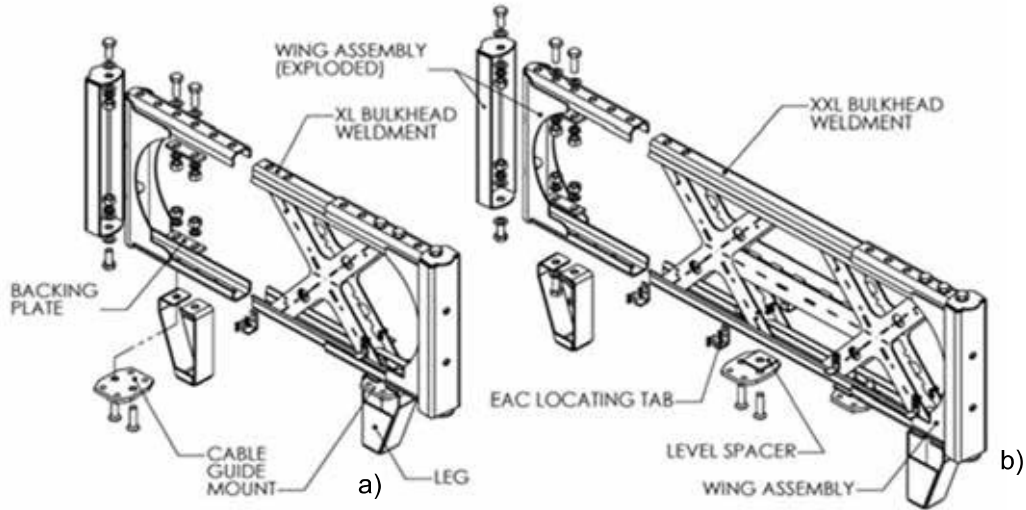


Figure 8. Adjustable Middle Bulkheads a) Single X (1X) b) Double X (2X)

Triple X (3X) Middle Bulkheads provide for assembly widths of 78" [1980mm], 84" [2130mm], 90" [2290mm], 96" [2440mm], 102" [2.6m].

**The Wing Assemblies are bolted in the appropriate location using Backing Plates and the hardware provided. The Legs bolt directly to the bottom of the assembly where the Wing Assemblies attach using the same hardware. All fasteners use a lock washer or Loctite.**

**Cable Guide Mounts**

If a parallel or 1X bulkhead is used as the Front Bulkhead Assembly, the cable is in the 1<sup>st</sup> position (Figure 9) and the Cable Guide Mounts would bolt in the corresponding location.  
If a 2X or 3X bulkhead is used as the Front Bulkhead

Assembly, the cable is in position 2 or 3 (Figure 9) respectively and the Cable Guide Mounts attach accordingly. If said cable position aligns with the leg mounting position the Cable Guide Mount bolts through the leg using the hardware provided for the Cable Guide Mount.

Backing Plates are used on all Leg, Wing Assembly, and Cable Guide fastenings. A Level Spacer is used when attaching components across the step between the Bulkhead

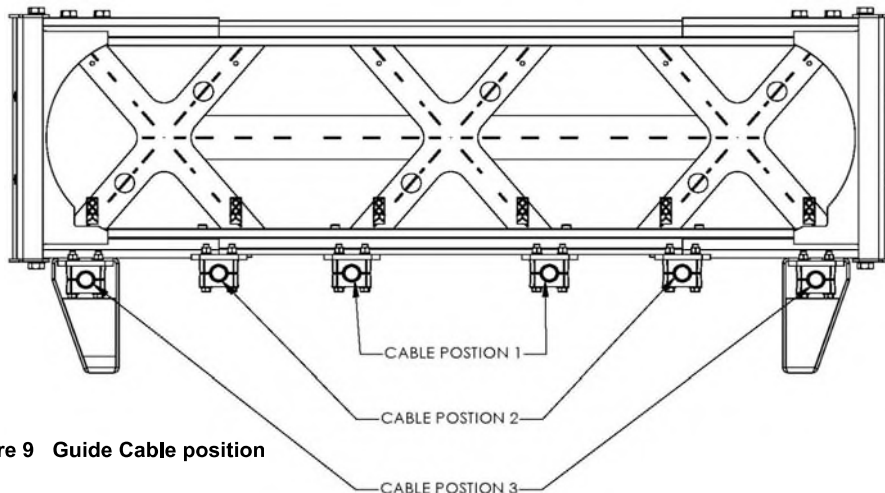


Figure 9 Guide Cable position

Weldment and the Wing Assembly.

**EAC Locating Tabs**

EAC Locating Tabs are bolted to the front and back of each Middle Bulkhead Assembly. All fasteners use a lock washer or Locktite (Figure 8).

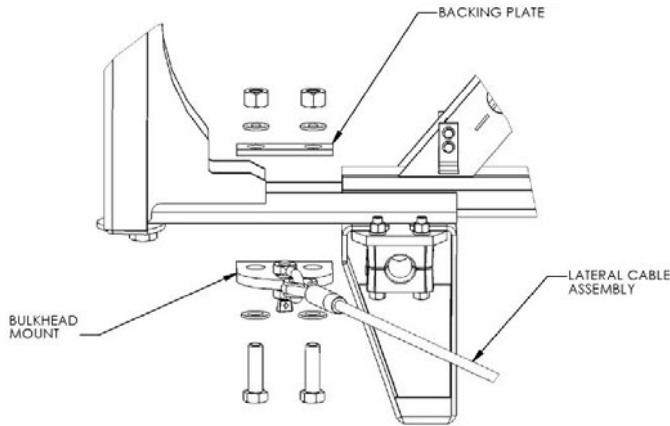


Figure 10. Lateral Cable Support

holes in the Wing Assemblies (Figure 10). They do fit inside the Legs if necessary (Figure 11).

**NOTE: Refer to the System Configuration chart in Appendix “A” to determine if Lateral Cable supports are required.**

**Empty Bay Bumpers**

Some systems require an empty bay (no Energy Absorbing Cartridges). These systems utilize a Bumper Kit to minimize damage in an impact (Figure 12). The kit includes (4) Bumpers that mount to the rear bulkhead assembly of the empty bay. Two Bumpers mount to the top of the assembly at the Wing to Bulkhead joint using the same hardware. The other two Bumpers mount through the Leg to the Wing – Bulkhead joint.

**NOTE: Refer to the System Configuration chart in Appendix “A” to determine if empty bays are required.**

Following complete assembly of the Front, Middle, and Backstop Bulkhead assemblies, position them in order. Space them at approximately 34” [860mm] apart, center to center. Also, align them through the center-line of the system. Accuracy and care taken here will improve ease of assembly and reduce efforts to straighten the system.

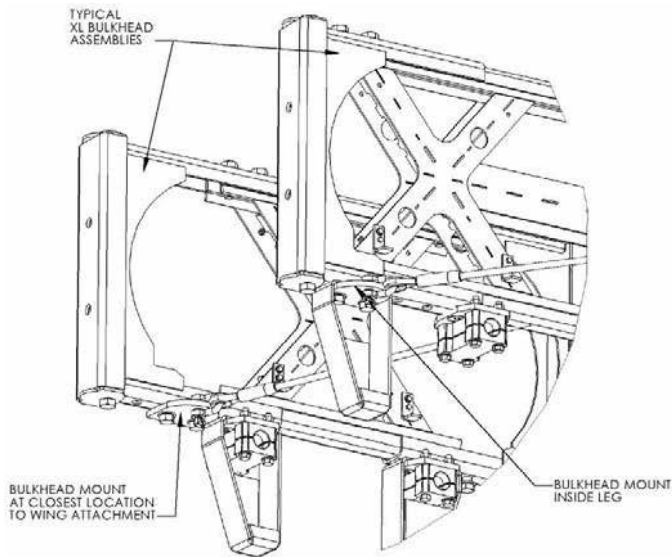


Figure 11. Lateral Cable Supports mounted inside and outside the leg

**Lateral Cable Support**

Some systems require a Lateral Cable Support Kit (Refer to Step 10 of this manual). The Lateral Cable Support Kit contains Bulkhead Mounts that attach to the last two bulkhead assemblies of required systems. They bolt to the outermost free

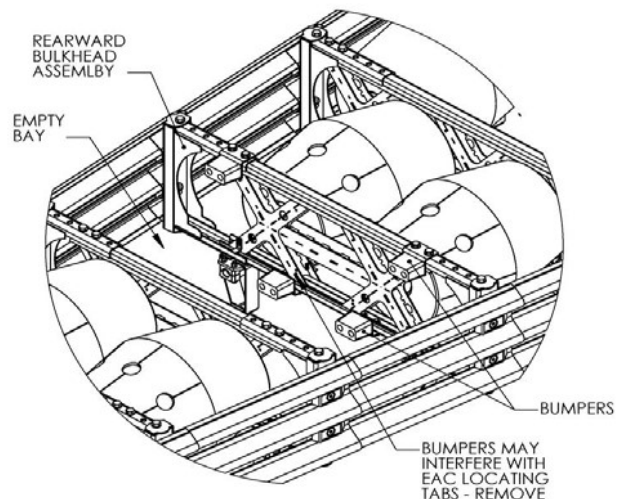


Figure 12 Empty Bay Bumpers

**STEP 4**

**Backstop Assemblies**

The Backstop Assembly is selected per application and can be configured to protect hazards up to 8.5' [2.6m] in width. Backstops can either be attached directly to a barrier wall or a suitable structure (Portable Concrete Barrier (PCB) Backstop, Flush Mount Backstop) or installed as a stand-alone system (Compact Backstop, Wide Flange Backstop). All backstops require minimum assembly if they are not pre-assembled.

***PCB Backstop***

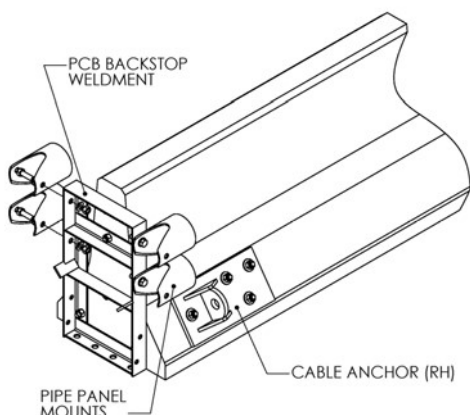
The PCB Backstop (Figure 13) is configured from parts anchored directly to an existing concrete barrier wall. Refer to Step 1 and Step 2 for PCB Backstop layout and anchorage details. Pipe Panel Mounts bolt to the sides of the backstop and provide a mounting point for the Slider and End Panels.

Refer to the System Configuration Chart in Appendix "A" to determine system widths and Capacity Limitations.

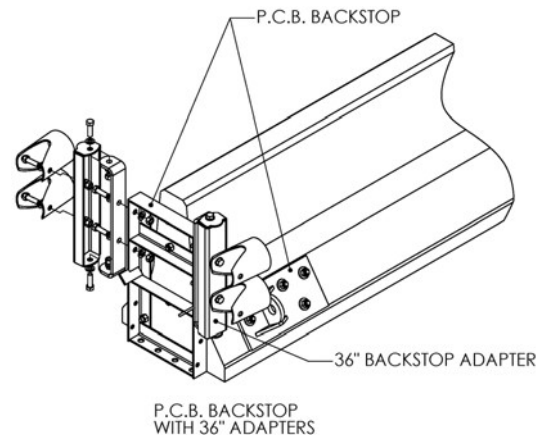
If a 36" [910mm] Backstop is desired, attach the 36" [910mm] Backstop Adapters (Figure 14) to the sides of the backstops and bolt the Pipe Panel Mounts to the pivoting sections.

If the system is installed on an asphalt foundation, the portable concrete barrier must be anchored using the supplied brackets.

**For additional information or questions about the Universal TAU-II Crash Cushion, please call the BSI Customer Service Department at (888) 800-3691 (U.S. toll free) or (707) 374-6800.**



**Figure 13 PCB Backstop (Parallel System)**



**Figure 14 PCB Backstop (Tapered System)**

**Compact Backstop**

The Compact Backstop (Figure 15) is bolted together in two halves and is usually pre-assembled. The Backstop is a stand alone design is not anchored to the hazard being protected.

Refer to Step 1 and Step 2 for Backstop layout and anchorage details.

Pipe Panel Mounts bolt to the sides of the backstop and provide a mounting point for the Slider and End Panels. Refer to the system drawing for the backstop assembly size needed.

If a 36" [910mm] Backstop is desired, attach the 36" [910mm] Backstop Adapters (Figure 16) to the sides of the backstops and bolt the Pipe Panel Mounts to the pivoting sections.

**For additional information or questions about the Universal TA U-II Crash Cushion, please call the BSI Customer Service Department at (888) 800-3691 (U.S. toll free) or (707) 374-6800.**

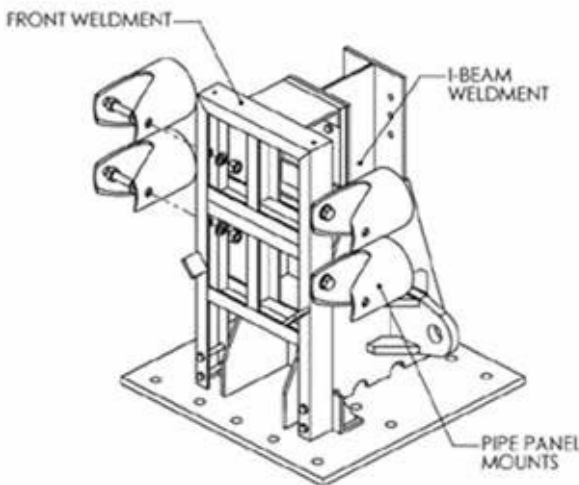


Figure 15 Compact Backstop (Parallel Systems)

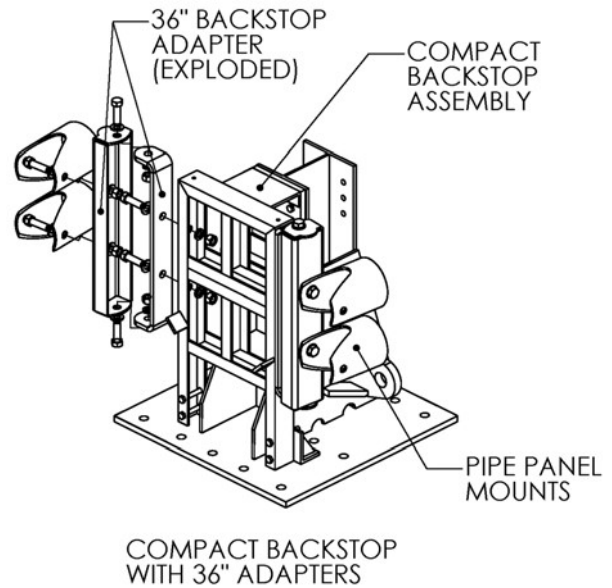


Figure 16 Compact Backstop (Tapered Systems)

**Flush Mount Backstop**

The Flush Mount Backstop system (Figure 17) is intended for applications where the hazard width exceeds the limitations of the PCB Backstop and are applicable in locations with limited foundation size. The Flush Mount Backstop can be attached to reinforced safety shape or vertical concrete structures up to 36" [910mm]. Systems over 24" [610mm] wide require the 36" [910mm] adapter. Edges of vertical concrete may require chamfer according to local standards.

The Cable Tensioning is moved to the front of the system so the rear cable anchors do not protrude outside of the rear extension panels.

The backstop is attached to the foundation and to the concrete backstop. Install anchors in accordance with BSI specifications. Vertical slots on the backstop allow removal replacement of the backstop. Anchors must be placed at the top of said slots to be effective. Flush Mount Backstop systems use the same cable used in all parallel systems. The cable is installed with the threaded tensioning end forward. The looped end is pinned in place at the backstop. The Front Cable Anchor uses an inserted key to keep the threaded stud from rotating during tensioning.

**For additional information or questions about the Universal TAU-II Crash Cushion, please call the BSI Customer Service Department at (888) 800-3691 (U.S. toll free) or (707) 374-6800.**

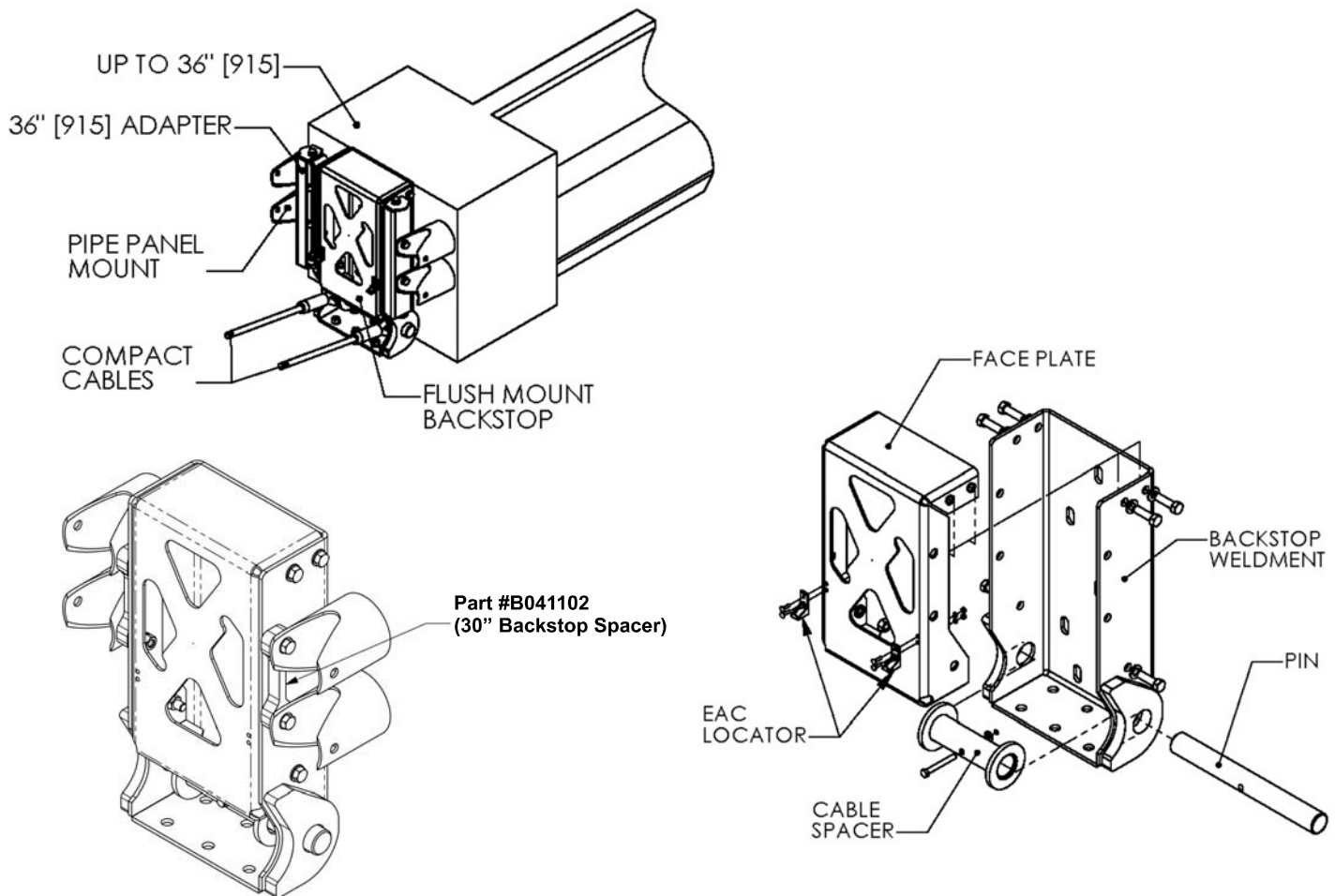


Figure 17 Flush Mount Backstop



**Wide Flange Backstop**

The Wide Flange Backstop (Figure 18) uses a combination of backstop elements to protect wide hazards.

The Wide Flange Backstop incorporates XL, XXL, or XXXL bulkhead assemblies attached to two Wide Flange Backstop Weldments.

The backstop bulkheads are assembled according to the specific system requirements. The Wing Assemblies slide over the ends of the bulkhead weldment and adjust to the width needed.

XL Bulkheads provide for backstop bulkhead assembly widths of 42" [1070] (using Transition Wing Assembly), 48" [1220], 54" [1370], and 60" [1525].

XXL Bulkheads provide for backstop bulkhead

assembly widths of 66" [1680], 72" [1830], 78" [1980], and 84" [2130].

XXXL Bulkheads provide for backstop bulkhead assembly widths of 90" [2290], 96" [2440], and 102" [2590].

Backstop Block-outs mount to the bulkhead assemblies at the Wing Assembly to Bulkhead Weldment joint. The block-outs are bolted through the Wing Assemblies and bulkhead weldment and fastened using Backing Plates and the hardware provided. The bulkhead assembly and block-outs are then bolted to the Wide Flange Backstop Weldments. Pipe Panel Mounts are fastened to the pivoting section of the Wing Assemblies. EAC Locating Tabs bolt to the front of the bulkhead assembly. All fasteners use a lock washer or Loctite.

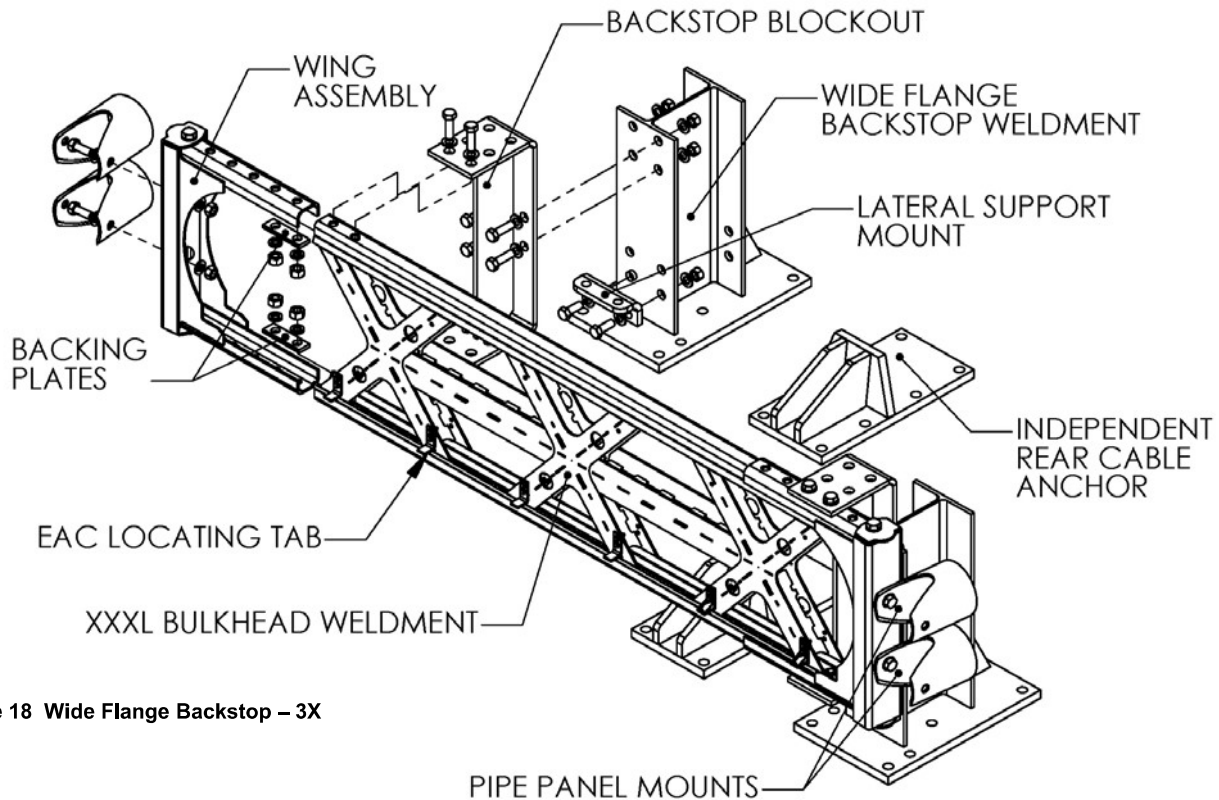


Figure 18 Wide Flange Backstop – 3X

Depending on the position of the cables in reference to the Wide Flange Backstop positioning, either an independent rear cable anchor (Figure 18) or a backstop mounted rear cable anchor (Figure 19) will be used. The independent rear cable anchor stands alone and requires no assembly. (Reference Step 1 and Step 2 for layout and anchorage specifications). The backstop mounted rear cable anchor bolts between the flanges of the Wide Flange Backstop. They are mounted to the interior of the system. All fasteners use a lock washer or Locktite. When the front support bulkhead and backstop utilize the same bulkhead, the rear cable anchors are mounted to the backstops. When the front support bulkhead and backstop bulkheads are different, the system is supplied with independent rear cable anchors mounted on the pad surface.

Some systems require a Lateral Cable Support Kit. The Lateral Cable Support Kit contains Lateral Support Mounts that attach to the backstop assembly of required systems. They bolt to the front of the Wide Flange Backstop Weldments in the lowest hole set. If backstop mounted rear cable anchors are used, one of the bolts will be shared. All fasteners use a lock washer or Locktite.

**Refer to the System Configuration Chart in Appendix "A" to determine if Lateral Cable supports are**

**required.**

If the Wing Assemblies of the particular backstop are adjusted to one of their two most extended positions (54" [1370mm], 60" [1525mm], 78" [1980mm], 84" [2130mm], and 102" [2290mm] backstops), Wing Braces and Spacers are required (Figure 19). The Wing Braces attach to the Wing Assemblies and the Backstop Block-outs on the top and bottom. The Spacers level their mounting surfaces. All fasteners use a lock washer or Locktite.

**For additional information or questions about the Universal TAU-II Crash Cushion, please call the BSI Customer Service Department at (888) 800-3691 (U.S. toll free) or (707) 374-6800.**

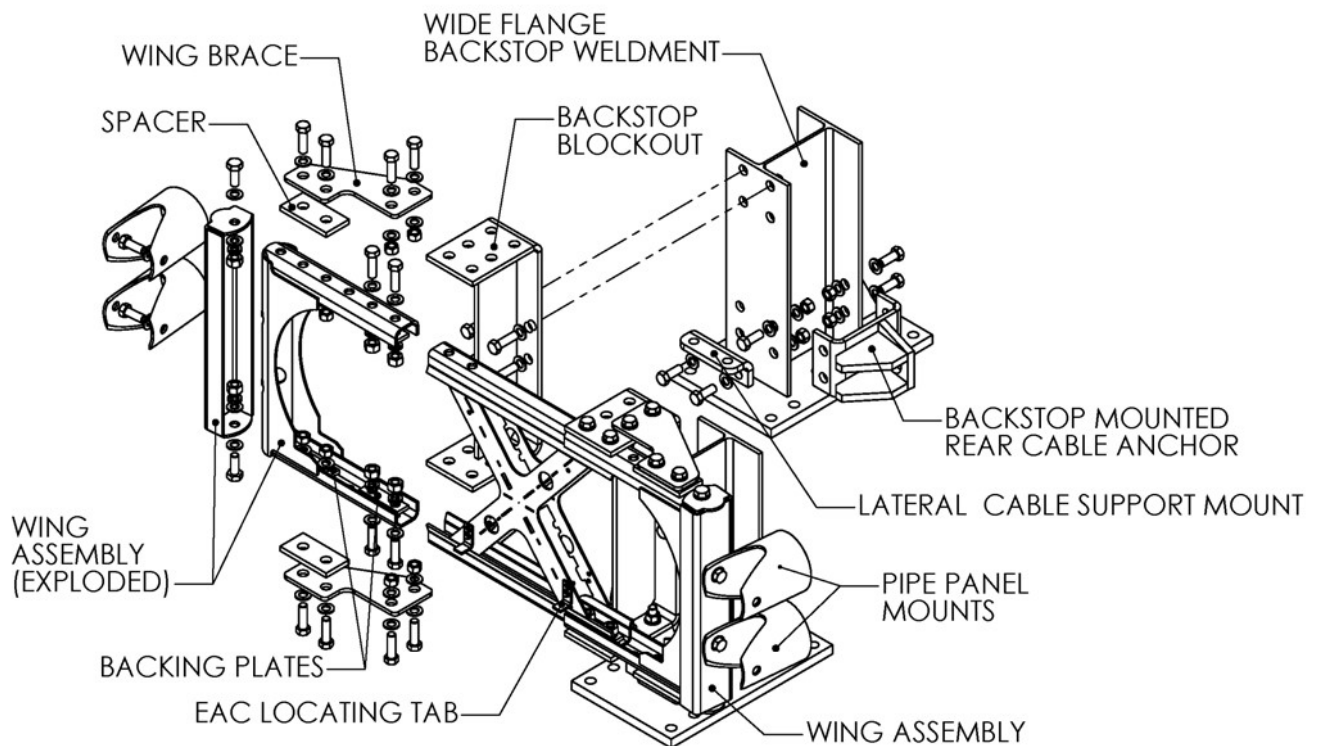


Figure 19 Backstop – 1X with Wing Braces

## STEP 5

### Attach Panels

The Universal TAU-II system uses two types of panels: Sliding Panels (Figure 20) and End Panels (Figure 21). Sliding Panels have a pair of holes forward and two long slots running the length of the panels. End Panels have a pair of holes at each end and do not have slots. Sliding panels are used on all collapsing bays. End panels are attached to the backstop only (Call BSI for non-proprietary transition options). Slider Bolts hold the panels to the bulkheads. Some systems require nested panels (doubled) on rearward bays.

**NOTE: Refer to the System Configuration Chart in Appendix "A" to determine if/where nested panels are required. A long bolt is supplied to assist in the assembly to nest the panels.**

Install the panels from back to front staggering from each side. Place the End Panels first. While holding the End Panel in place, lap the forward Sliding Panel over it and bolt through the slot, End Panel, and Pipe Panel Mount (Figure 22). Leave the nuts of the Slider Bolts loose and perform on both sides. Lap the next forward Sliding Panel and bolt through the slot, hole set in rearward Sliding Panel, and bulkhead. Leave the Slider Bolt nuts loose and progress forward alternating sides (Figure 23). If the bay requires nested panels, perform procedure with (2) panels, one nested inside the other.

The last panels to be installed will be on the first bay of the system, the Front Support. These panels lap the rearward panel and fasten to the 2<sup>nd</sup> bulkhead from the front as instructed above. The front of these panels will mount to the Front Support through the Nose Piece. Refer to Section 6 for this connection (Figure 26).

Leave the Slider Bolt nuts loose until the system is almost completely assembled and installed.

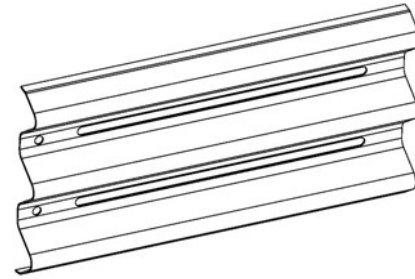


Figure 20 Slider Panel

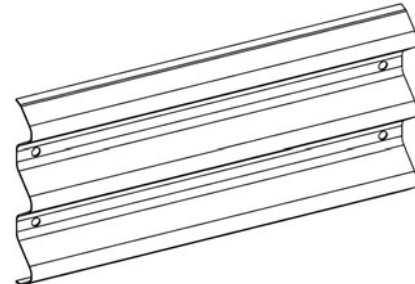


Figure 21 End Panel (no slots)

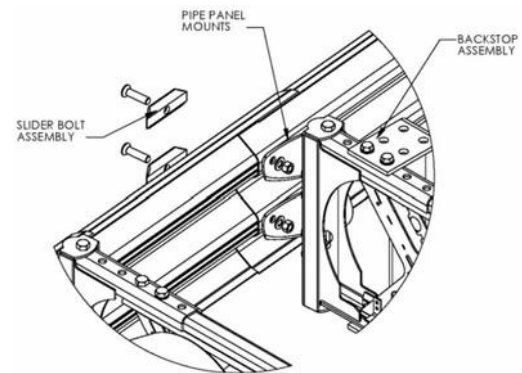


Figure 22 Attach Rear Panel

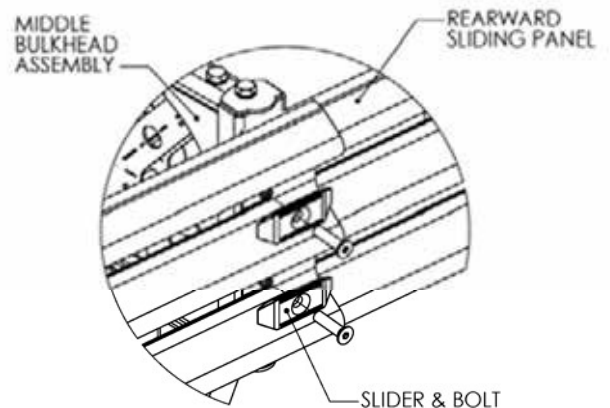


Figure 23 Attach Side Panels

**STEP 6**

**Attach Nose Piece / Delineation Marker**

Narrow systems (up to 36" [910mm] Front Support) use a one-piece polyurethane nose (Figure 24) with molded three beam corrugations on both ends. Wider Front Support Assemblies (42" [1070mm] and above) use two polyurethane parts (Figure 25) riveted together. The two part nose pieces have three beam corrugations on one side and a series of holes through the flat section. Guide Cable Torque

The Nose Piece attaches to the Front Support assembly through the Sliding Panels (Figure 26). Thick flat round washers are inserted in the mounting holes of the nose piece to limit compression of the polyurethane. Two 3/4" [20mm] bolts with fender washers clamp the nose piece and Sliding Panel to the Front Support on each side. Fasteners use lock washers or Locktite.

**Torque to 200 ft-lbf [270 N-m].**

The two part nose pieces overlap across the width of the system. Adjust to desired profile and align holes. Using the supplied pop-rivets and washers, rivet two columns of holes. Rivets should pass through the overlapping nose pieces at the furthest possible columns apart (Figure 26).

Apply delineation markings as required (not supplied).

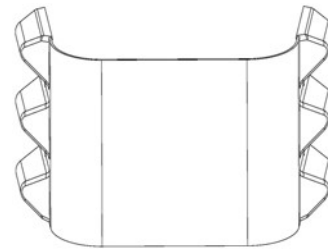


Figure 24 Nose Piece (up to 36")

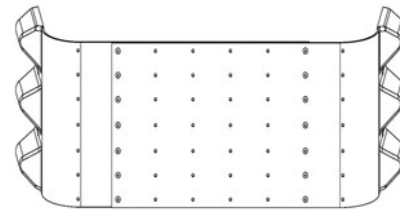


Figure 25 Nose Piece (wide)

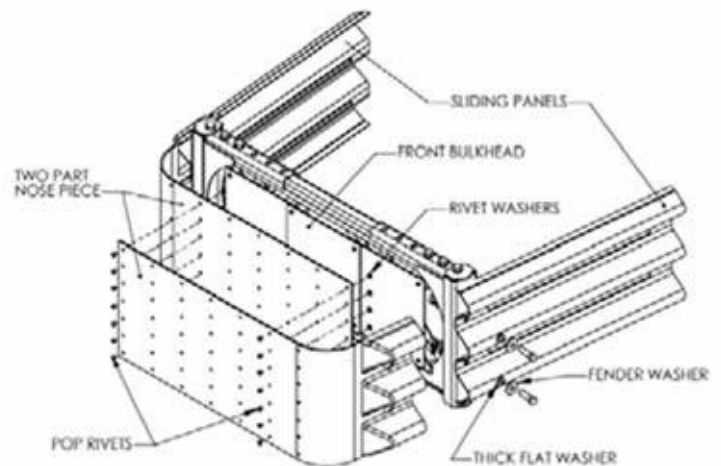


Figure 26 Wide Nose Piece Assembly

**STEP 7**

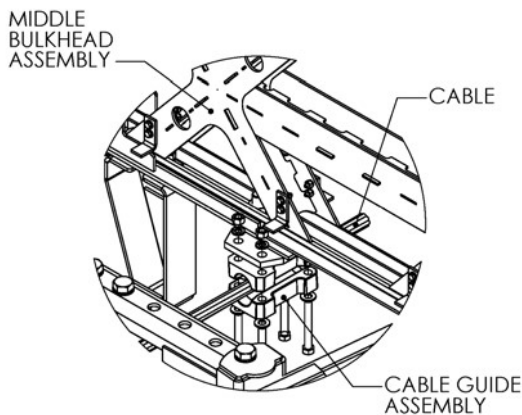
**Install Cables and Cable Guides**

**Cable Location**

Every system has a set of cables that run through the cable guides that attach underneath each bulkhead. The Cable Guides clamp around the cable and bolt to the bottom of the bulkheads. The Cable Guide is universal and fits all bulkhead and cable configurations. Two Cable Guide assemblies are used on every middle bulkhead assembly (Figure 27).

The cables are tensioned between the Backstop and Front Cable Anchor. The Front Cable Anchor is mounted under the first bay.

**IMPORTANT NOTE: The Front Support Assembly is not attached to the cable.**



**Figure 27 Cable Guide Clamp**

**Systems using a PCB, Compact Backstop or Flush Mount Backstop.**

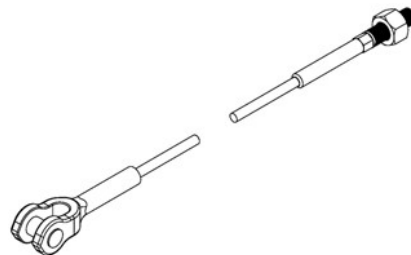
Systems using a PCB, Flush Mount or Compact Backstop use 1" [25mm] diameter cable (Figure 28). These Cables are identified by the loop and shackle on one end and a threaded stud swaged to the other end. (The shackle is not used on the Flush Mount Backstop).



**Figure 28 Compact Cable**

*Systems with Wide Flange Backstops*

Systems with Wide Flange Backstops use a 1 1/8" [28mm] diameter cable (Figure 29). These cables have a threaded stud swaged to the rear end and a large "open swage socket" on the front end. A Key is also included which limits rotation of the cable during tensioning at the Rear Cable Anchor.



**Figure 29 Universal Cable**

The cables are fed through the bulkheads from the front. On parallel style bulkheads, the cables thread between the legs. On XL-XXXL bulkheads, the cables can go between the legs or through the legs, depending on the configuration. Lead with the rear of the cable. Place the rear cable end through the Rear Cable Anchor, PCB Backstop, or Compact Backstop. Start the tensioning nut with about 1" [25mm] of thread.

Without pinning the Front Cable Anchor, attach the Cable Guides to the bulkheads. Start from the last bulkhead and move forward. Cable Guides attach with ½" [12mm] hardware provided. Fasteners use lock washers or Locktite.

When all the Cable Guides are installed, pin the front cable end to the Front Cable Anchor. On Wide Flange Backstop configurations, install the Key to the Rear Cable Anchor (Figure 30).

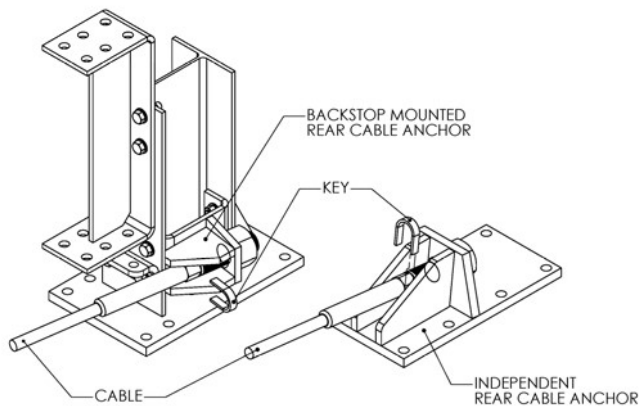


Figure 30 Backstop Cable Mount

## STEP 8

### Stretch and Align the System

This step can be avoided or reduced if care is taken to align and space the bulkheads properly during assembly.

Attach a pair of chains or straps to the Front Bulkhead assembly. Using a truck or other tow vehicle, pull the system forward to fully extend the bays. The bays are fully extended when the Slider Bolts are bottomed out in the slots of the Sliding Panels.

If necessary, bump or nudge the system into alignment. Each bulkhead should be aligned along the centerline of the system.

Recommended attachment points for straps or chains are at the corners of Front Support on the top and bottom horizontal channels. When attaching to XL-XXXL bulkheads, secure as close to the Wing Assembly attachment points as possible.

**NOTE: Be sure not to jerk or pull on the backstop anchors before the anchoring compound has cured and the backstop is secured to the foundation.**

## STEP 9

### Tension Cables and Torque Slider Bolts

Tension the Cables. Torque the cables in 50 ft-lbf [65 N-m] increments alternating between the two. Reference Torque Chart below (Table 2) for torque requirements. Use the deep socket provided.

Tighten Slider Bolts to approximately 100 ft-lbf [130 N-m], loosen, and then torque to 20 ft-lbf [27 N-m]. This procedure ensures proper nesting of the panels and torque accuracy.

**NOTE: Care must be taken to not over tighten the sliders. Follow the procedure outlined above.**

**STEP 10**

**Install Lateral Support Cables**

Skip this section if the system does not require a Lateral Cable Support Kit.

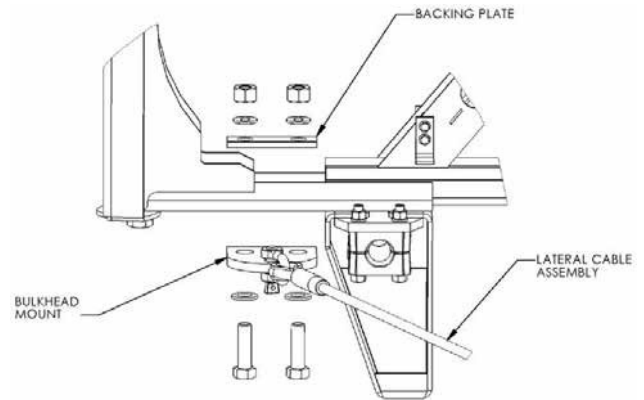
**NOTE: Refer to the System Configuration chart in Appendix "A" to determine if Lateral Support Cables are required.**

If the system requires a Lateral Cable Support Kit, the cable mounts should be installed on the last two bulkhead assemblies and the Wide Flange Backstops. Refer to Figure 9 and Figure 10 of Step 3.

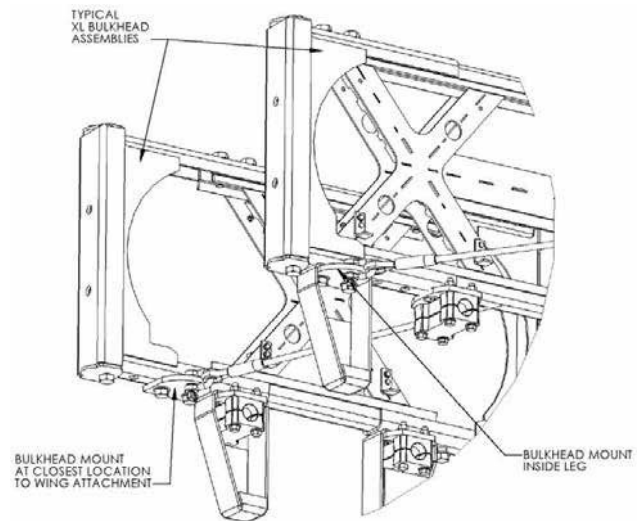
The Lateral Support Cables are 1/2" [12mm] diameter and have a 1/2" [12mm] shackle on one end. There are eight (8) cable assemblies in the kit. The shackles pin to the cable mounts on the bulkheads and Wide Flange Backstops (Figure 31, 32, 33, 34, 35). The two cables from each backstop are routed to the opposite sides of the last two bulkheads (Figure 35).

These cables are attached to the cables pinned to the bulkheads with cable clamps. Six cable clamps are used in series of three. Place the clamps at the furthest extents of the overlapping cables. The first cable clamp should be approximately 3" [75mm] from the cable end. Subsequent clamps should be spaced at 3" [75mm] (Figure 33).

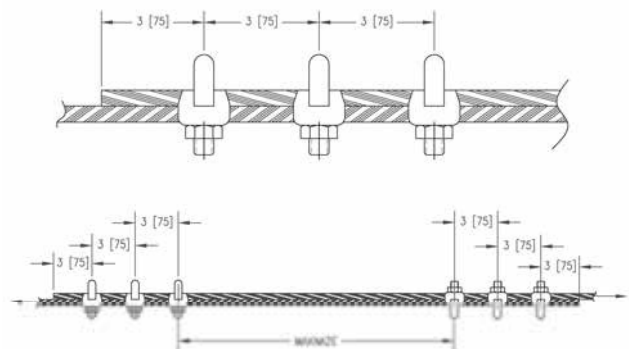
Cables should be taught with minimal slack, but do not require tensioning. Routing above or below the main system cables is acceptable. Bundle access cable and use provided plastic wrap ties to secure the bundles to the suspended cables.



**Figure 31 Lateral Support Cable**



**Figure 32 Lateral Support Cables**



**Figure 33 Install Cable Clamps**



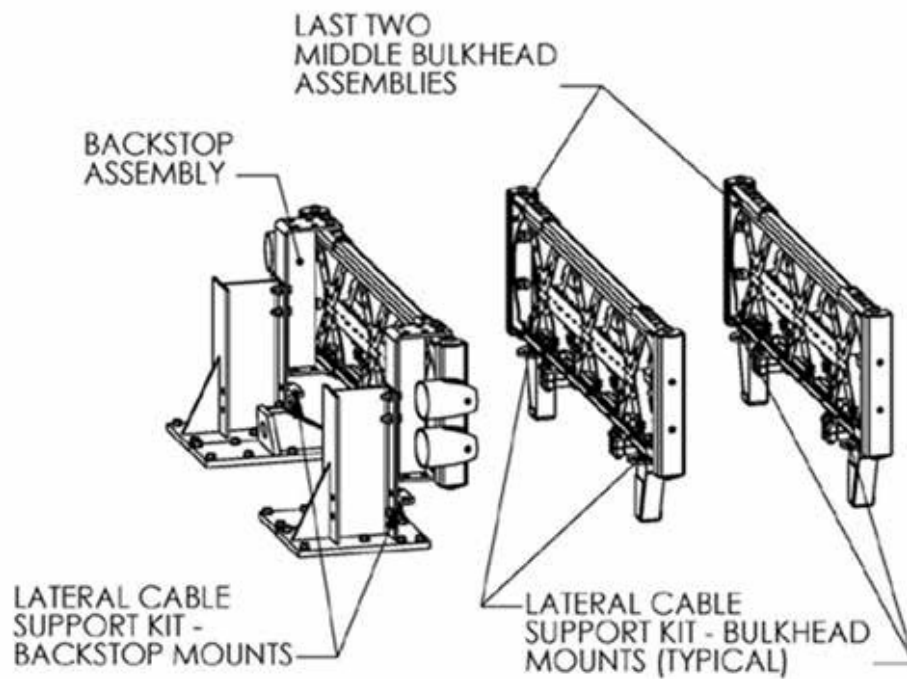


Figure 34 Cable Mounts

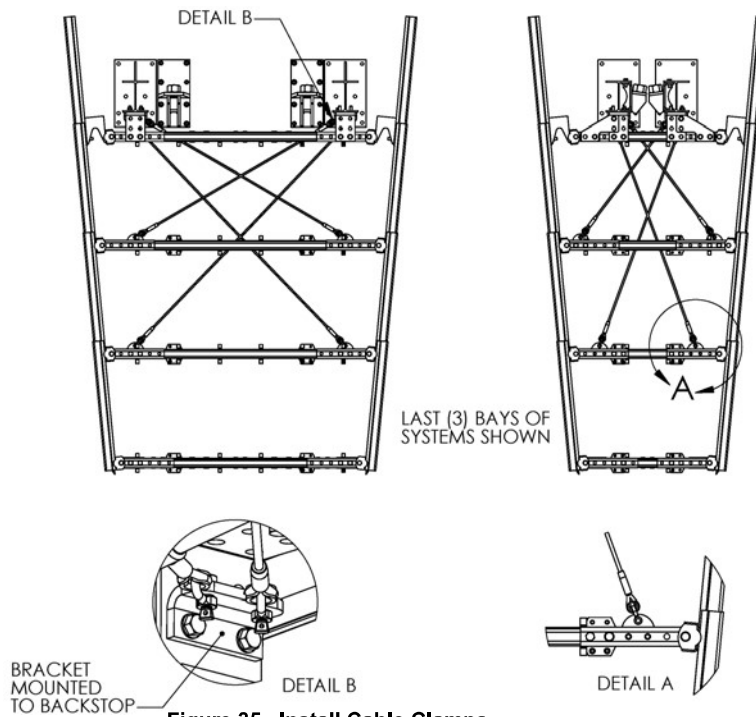


Figure 35 Install Cable Clamps

## STEP 11

### Insert Energy Absorbing Cartridges

There are two types of Energy Absorbing Cartridges (EAC). Each EAC has a forward and rearward end. Type "A" EAC's (Figure 36) have eight (8) 3" [75mm] diameter holes around the circumference of the front half of the cylinder. Type "B" EAC's (Figure 37) have a solid cylinder wall with three (3) vent holes on the rearward end.

When installing the EAC's in a system it is important to ensure that they are placed according to manufacturer specification.

**NOTE: Refer the System Configuration Chart in Appendix "A" for proper EAC placement.**

When placed in the system, the front of the EAC will face the front of the system (narrow end). Text on the EAC reading "This Side Up" should be legible and at the top of the inserted EAC. The EAC should rest on the EAC Locating Tabs.

Note that bays capable of holding (2) EAC's will always use (2) EAC's except in specified empty bays. They will also always be placed in the widest locations available.

**NOTE: A single bay will never have more than (2) EAC's in it. Refer the System Configuration Chart in Appendix "A" for proper placement.**

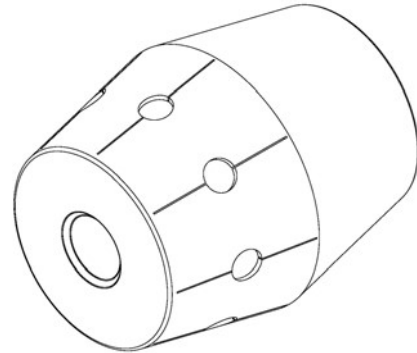


Figure 36 Energy Absorbing Cartridge – Type A

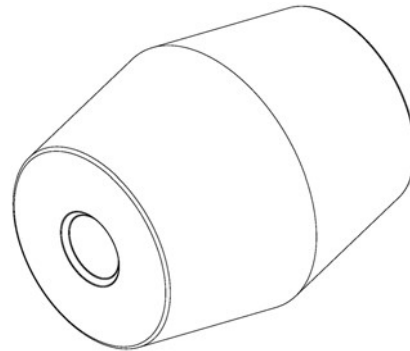


Figure 37 Energy Absorbing Cartridge – Type B

**STEP 12**

**Final Inspection**

Use the check list below to confirm that all of the installation steps have been completed.

Inspection Date	Inspection By:	Item
		All front cable anchor plate and backstop anchor bolts in place and epoxy cured.
		Clevis and pin, mounted to the front cable anchor, is installed with the handle portion of the pin on the inside of the anchor assembly, firmly tightened. <i>(This may be different depending on the type of foundation, ie, asphalt or PCC.)</i>
		All cable guide assemblies securely fastened.
		System cables tightened to meet torque specifications.
		Pipe panel mounts positioned properly, flat end facing back, cut out facing forward.
		Sliding panels installed properly to allow for stacking.
		Sliding panels should have no more than a 3/4" (19mm) gap between stacked panels.
		Nose cover properly installed with thick spacer and tightened to specifications.
		Torque Sliding Bolt assemblies to specifications. Do NOT over tighten.
		Energy Absorbing Cartridges (EAC) installed in proper A-B position and sequence. See Configuration Chart.
		EAC air discharge holes positioned properly. Rotate cast ID to the top of the cartridge.
		Asphalt adapter installed on both sides of portable concrete barrier when applicable.
		Torque all fasteners to meet specifications.

APPENDIX A - System Configuration Chart

	30 mph* [50 km/h]	35+ mph* [60 km/h]	44 mph [70 km/h] Test Level-2	50 mph* [80 km/h]	53 mph [85 km/h]	55 mph [90 km/h]
<b>Up to 30"</b> [700 mm]						
<b>36"</b> [900 mm]						
<b>42"</b> [1060 mm]						
<b>48"</b> [1220 mm]						
<b>54"</b> [1370 mm]						
<b>60"</b> [1520 mm]			X	X		X
<b>66"</b> [1680 mm]			X	X		X
<b>72"</b> [1830 mm]			X	X		X
<b>78"</b> [1980 mm]			X	X		X
<b>84"</b> [2130 mm]			X	X		X
<b>90"</b> [2290 mm]			X	X		X
<b>96"</b> [2440 mm]			X	X		X
<b>102"</b> [2600 mm]						

BACKSTOP WIDTH

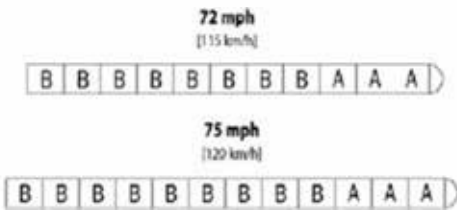
**Legend:**

- X Lateral Support Cables Required
- Double Slider Panels
- Single Slider Panel
- Leg Adapter Required
- Single X Bulkhead (XL)
- Double X Bulkhead (XXL)
- Triple X Bulkhead (XXXL)
- Parallel Diaphragm
- Nose Piece
- A Type A Energy Absorbing Cartridge
- B Type B Energy Absorbing Cartridge
- Transition Wing Assembly Required
- ⊗ 36" Adapter Assembly Required
- Wide Nose Piece

\* Speed Capacity rounded down to nearest 5 mph level. Contact Customer service for further information.

	60+ mph* [100 km/h] Test Level - 3	65 mph [105 km/h]	70 mph [110 km/h]
Up to 30" [700 mm]			
36" [900 mm]			
42" [1060 mm]			
48" [1220 mm]			
54" [1370 mm]			
60" [1520 mm]	X	X	X
66" [1680 mm]	X	X	X
72" [1830 mm]	X	X	X
78" [1990 mm]	X	X	X
84" [2130 mm]	X	X	X
90" [2290 mm]	X	X	X
96" [2440 mm]	X	X	X
102" [2600 mm]			X

**ADDITIONAL HIGHER SPEED SYSTEMS**



Call or email BSI Customer Service:  
 888 800-3691 (U.S. Toll Free)  
 707 374-6800 (Outside U.S.)  
 email: rkeener@barriersystemsinc.com

Visit our website at  
[www.barriersystemsinc.com](http://www.barriersystemsinc.com)  
 An ISO 9001:2000 Company

**APPENDIX B - System Torque Chart**

**CONCRETE INSTALLATION**

Compact Backstop Anchors.....	120 ft-lbs (160 N-m)
PCB Backstop Anchors.....	120 ft-lbs (160 N-m)
Cable Anchor (Rear).....	120 ft-lbs (160 N-m)
Cable Anchor (Front).....	120 ft-lbs (160 N-m)
Cable Adj. Eye Bolt.....	500 ft-lbs (675 N-m)

**ASPHALT INSTALLATION**

Compact Backstop Anchors.....	5 ft-lbs (8 N-m)
PCB Backstop Anchors.....	5 ft-lbs (8 N-m)
PCB Asphalt Adapter .....	5 ft-lbs (8 N-m)
Cable Anchor (Front).....	5 ft-lbs (8 N-m)
Cable Adj. Eye Bolt.....	120 ft-lbs (160 N-m)

**SYSTEM COMPONENT INSTALLATION**

Sliding Bolt Assembly.....	20 ft-lbs (27 N-m)
Front Panel Holding Nose Cover.....	200 ft-lbs (270 N-m)
Pipe Panel Mount to Backstop.....	70 ft-lbs (95 N-m)
Cable Guide Bolts .....	30 ft-lbs (48 N-m)

The Universal TAU-II Crash Cushion has been successfully tested in various configurations having the cable torque ranging from 120 ft-lbs for asphalt installation, to 500 ft-lbs of torque for concrete applications. The system will function properly under this full range of torque. If a torque wrench is not available, refer to the table below for an alternate method of reaching the desired torque range.

Ways of creating approximately 500 ft-lbs of torque:

- 6 ft. [1.8 m] wrench extension with entire weight of 100 lbs [45 kg] applied 12" from the end
- 42 in. [1.1 m] wrench extension with entire weight of 200 lbs [90 kg] applied 12" from the end
- Use free weights or human weight

These methods should ensure torque within tested range and manufacturer tolerances.

## APPENDIX C

### Anchoring Foundation Options

There are three approved anchoring foundation configurations for the TAU-II system. The first method utilizes a solid concrete pad over the length of the system. The second utilizes concrete blocks at the Backstop and Front Cable Anchor locations. The third is on Asphaltic Concrete foundation.

(Variations of these foundations may be reviewed and determinations made as to equivalence by the Project Engineer.)

There are different foundation configurations depending on which backstop you are using (Compact or P.C.B.). Foundation options for both of the Backstop systems are shown in the following drawings.

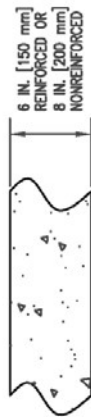
#### DRAWINGS

Foundation Specifications .....	48
DWG# A040113	
PCB Backstop .....	49
DWG# A040105	
PCB Backstop – PCC Block .....	50
DWG# A040117	
Asphalt with PCB Backstop .....	51
DWG# S040112	
Compact Backstop .....	52
DWG# A040102	
Flush Mount Backstop – PCC Pad	53
DWG# A040420	
Compact Backstop, PCC Blocks .	54
DWG# A040115	
Asphalt with Compact Backstop .	55
DWG# A040110	
Wide Flange Backstop .....	56
DWG# A040108	
Foundation Dimension Charts	
English Units .....	57-59
Metric Units .....	60-62

# FOUNDATION SPECIFICATIONS:

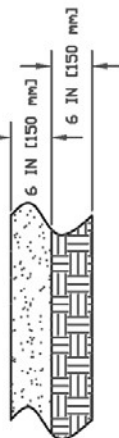
THE TAU-II CRASH CUSHION SYSTEM HAS BEEN DESIGNED TO ATTACH TO CONCRETE OR ASPHALT FOUNDATIONS. USE THE ANCHORAGE SPECIFIED BELOW DEPENDING ON THE FOUNDATION AT THE JOB SITE. REFERENCE UNIVERSAL TAU-II FOUNDATION DRAWINGS FOR FURTHER DETAIL.

## 1.) CONCRETE PAD



FOUNDATION: MINIMUM 6 IN. [150 mm] REINFORCED PCC PAD OR 8 IN. [200 mm] NONREINFORCED PCC PAD  
 ANCHORAGE: 3/4 IN. [20 mm] X 8 1/4 IN. [210 mm] GALVANIZED ANCHOR WITH 6 IN. [150 mm] EMBEDMENT

## 2.) ASPHALT OVER SUBBASE



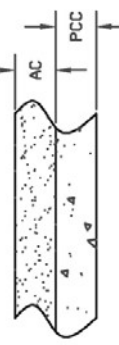
FOUNDATION: MINIMUM 6 IN. [150 mm] AC OVER 6 IN. [150 mm] COMPACTED DGA SUBBASE  
 ANCHORAGE: 3/4 IN. [20 mm] X 18 IN. [460 mm] GALVANIZED ANCHORS WITH 16 IN. [410 mm] EMBEDMENT  
 ASPHALT ANCHORING KIT REQUIRED

## 3.) ASPHALT ONLY



FOUNDATION: MINIMUM 8 IN. [200 mm] AC  
 ANCHORAGE: 3/4 IN. [20 mm] X 18 IN. [460 mm] GALVANIZED ANCHORS WITH 16 IN. [410 mm] EMBEDMENT  
 ASPHALT ANCHORING KIT REQUIRED

## 4.) ASPHALT OVER P.C. CONCRETE



FOUNDATION: AC OVER PCC.  
 ANCHORAGE: 3/4 IN. [20 mm] GALVANIZED ANCHORS WITH MINIMUM 6 IN. [150 mm] EMBEDMENT IN PCC - ASPHALT ANCHORING KIT NOT REQUIRED  
 OR  
 IF 6 IN. [150 mm] EMBEDMENT IN PCC IS NOT POSSIBLE USE 3/4 IN. [20 mm] X 18 IN. [460 mm] GALVANIZED ANCHORS WITH 16 IN. [410 mm] EMBEDMENT - ASPHALT ANCHORING KIT REQUIRED

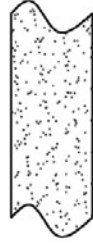
## MATERIAL SPECIFICATIONS

### PORTLAND CEMENT CONCRETE (PCC)



STONE AGGREGATE CONCRETE MIX, 4,000 PSI (28 MPa) MINIMUM COMPRESSIVE STRENGTH (SAMPLING PER ASTM C31-84 OR ASTM C42-94A, TESTING PER ASTM C39-84)

### ASPHALTIC CONCRETE (AC)



AR-4000 A.C. (PER ASTM D3381 '89) .75" MAXIMUM, MEDIUM (TYPE A OR B) AGGREGATE

SIEVE SIZE	% PASSING
1"	100
3/4"	95-100
3/8"	65-80
No. 4	49-54
No. 8	38-40
No. 30	18-21
No. 200	3-8

### COMPACTED SUBBASE (DGA)

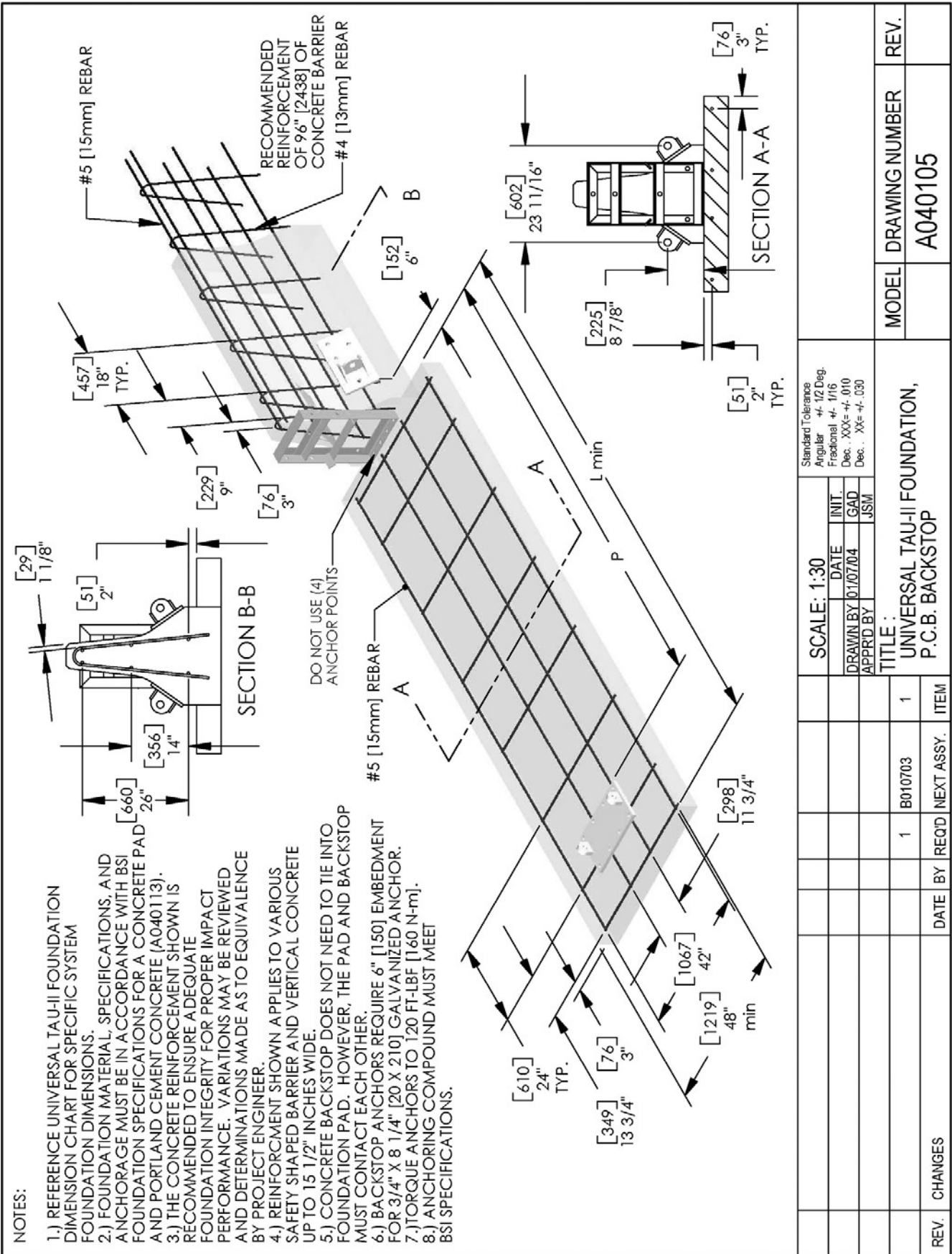


6 IN. [150 mm] MINIMUM DEPTH, 95% COMPACTION, CLASS 2 AGGREGATE

SIEVE SIZE	% PASSING
3"	100
2 1/2"	90-100
No. 4	40-90
No. 200	0-25

SCALE: FULL	DATE: 01/09/04	INIT. GAD	Standard Tolerance Angular ± 1/2"
DRAWN BY: JSM	DATE: 01/09/04	INIT. GAD	Fractional ± 1/16
APPRO'D BY:	DATE: 03/02/04	INIT. GAD	Dec .XXX= ± .010
TITLE: FOUNDATION SPECIFICATIONS	DATE: 03/02/04	INIT. GAD	Dec .XX= ± .030
REV. A	SEE ECN 00589	CHANGES	MODEL: A040113
REV. CHANGES	REQ'D	NEXT ASSY.	REV. A





NOTES:

- 1.) REFERENCE UNIVERSALTAU-II FOUNDATION DIMENSION CHART FOR SPECIFIC SYSTEM FOUNDATION DIMENSIONS.
- 2.) FOUNDATION MATERIAL, SPECIFICATIONS, AND ANCHORAGE MUST BE IN ACCORDANCE WITH BSI FOUNDATION SPECIFICATIONS FOR A CONCRETE PAD AND PORTLAND CEMENT CONCRETE (A040113).
- 3.) THE CONCRETE REINFORCEMENT SHOWN IS RECOMMENDED TO ENSURE ADEQUATE FOUNDATION INTEGRITY FOR PROPER IMPACT PERFORMANCE. VARIATIONS MAY BE REVIEWED AND DETERMINATIONS MADE AS TO EQUIVALENCE BY PROJECT ENGINEER.
- 4.) REINFORCEMENT SHOWN APPLIES TO VARIOUS SAFETY SHAPED BARRIER AND VERTICAL CONCRETE UP TO 15 1/2" INCHES WIDE.
- 5.) CONCRETE BACKSTOP DOES NOT NEED TO TIE INTO FOUNDATION PAD. HOWEVER, THE PAD AND BACKSTOP MUST CONTACT EACH OTHER.
- 6.) BACKSTOP ANCHORS REQUIRE 6" [150] EMBEDMENT FOR 3/4" X 8 1/4" [20 X 210] GALVANIZED ANCHOR.
- 7.) TORQUE ANCHORS TO 120 FT-LBF [160 N-m].
- 8.) ANCHORING COMPOUND MUST MEET BSI SPECIFICATIONS.

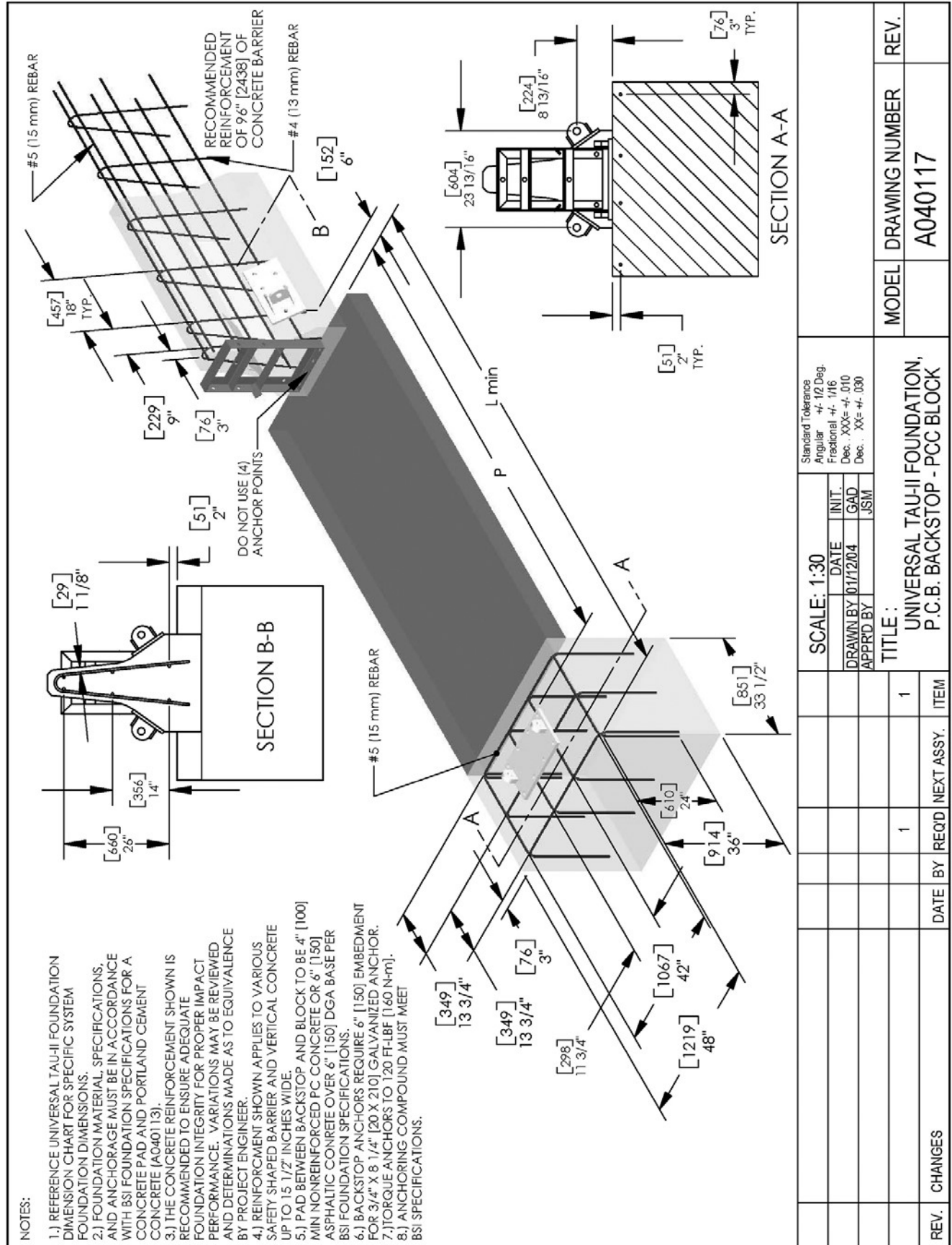
SCALE: 1:30	DATE	INIT.
DRAWN BY 01/07/04	GAD	JSM
APPRD BY		

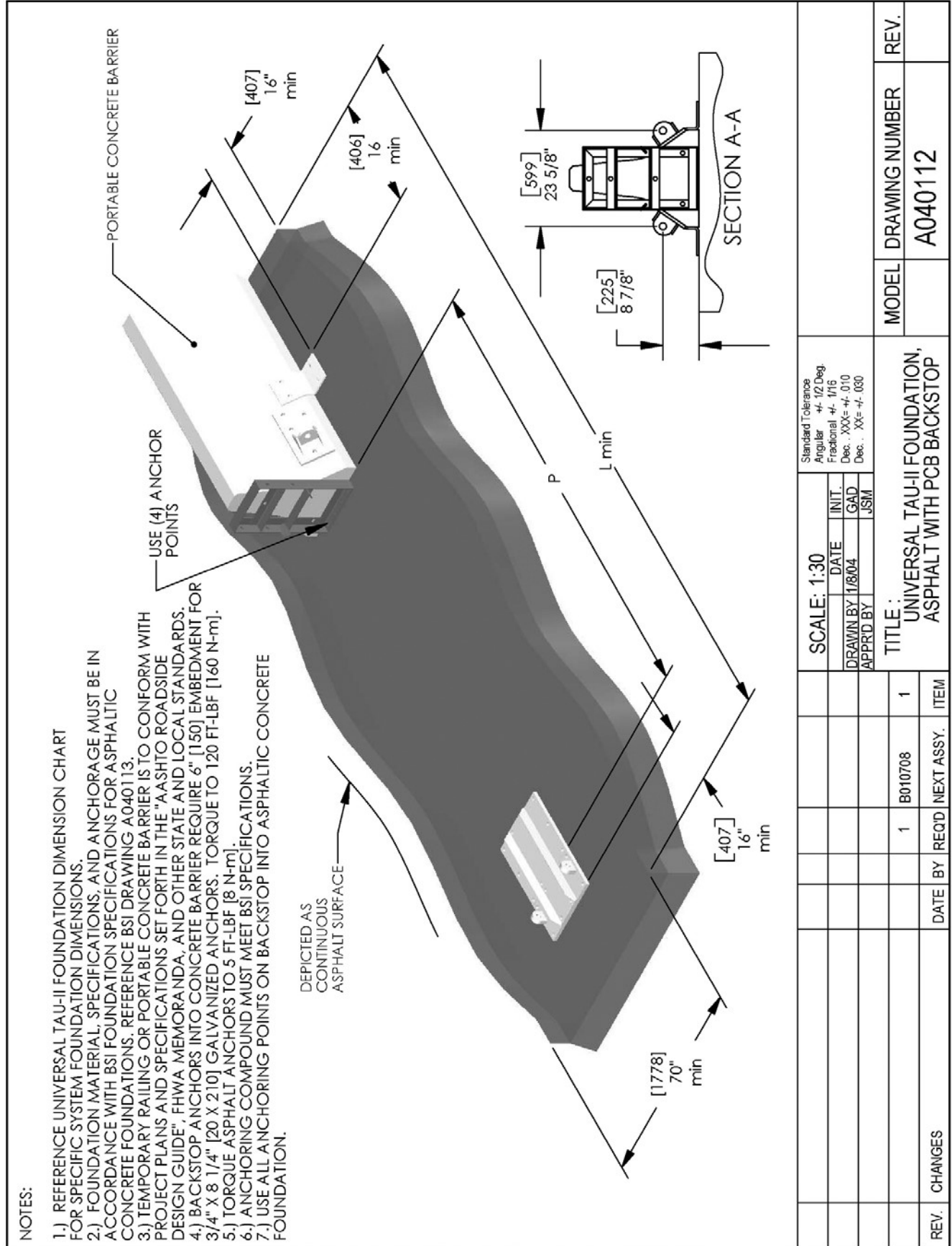
Standard Tolerance  
 Angular +/- 1/2 Deg.  
 Fractional +/- 1/16  
 Dec. XX± +/- 0.10  
 Dec. XX± +/- .030

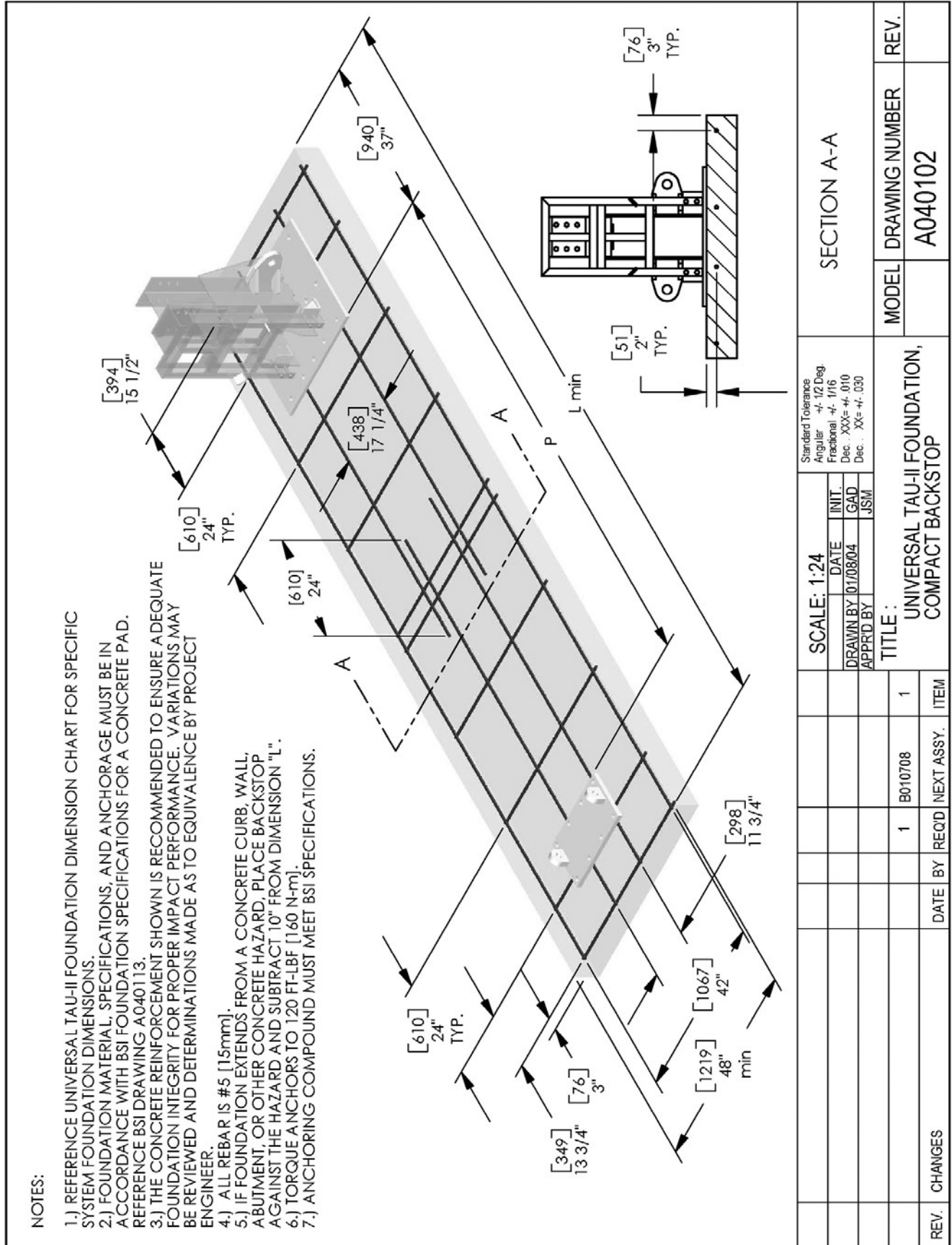
TITLE:  
 UNIVERSAL TAU-II FOUNDATION,  
 P.C.B. BACKSTOP

MODEL	DRAWING NUMBER	REV.
	A040105	

REV.	CHANGES	DATE	BY	REQD	NEXT ASSY.	ITEM
1						

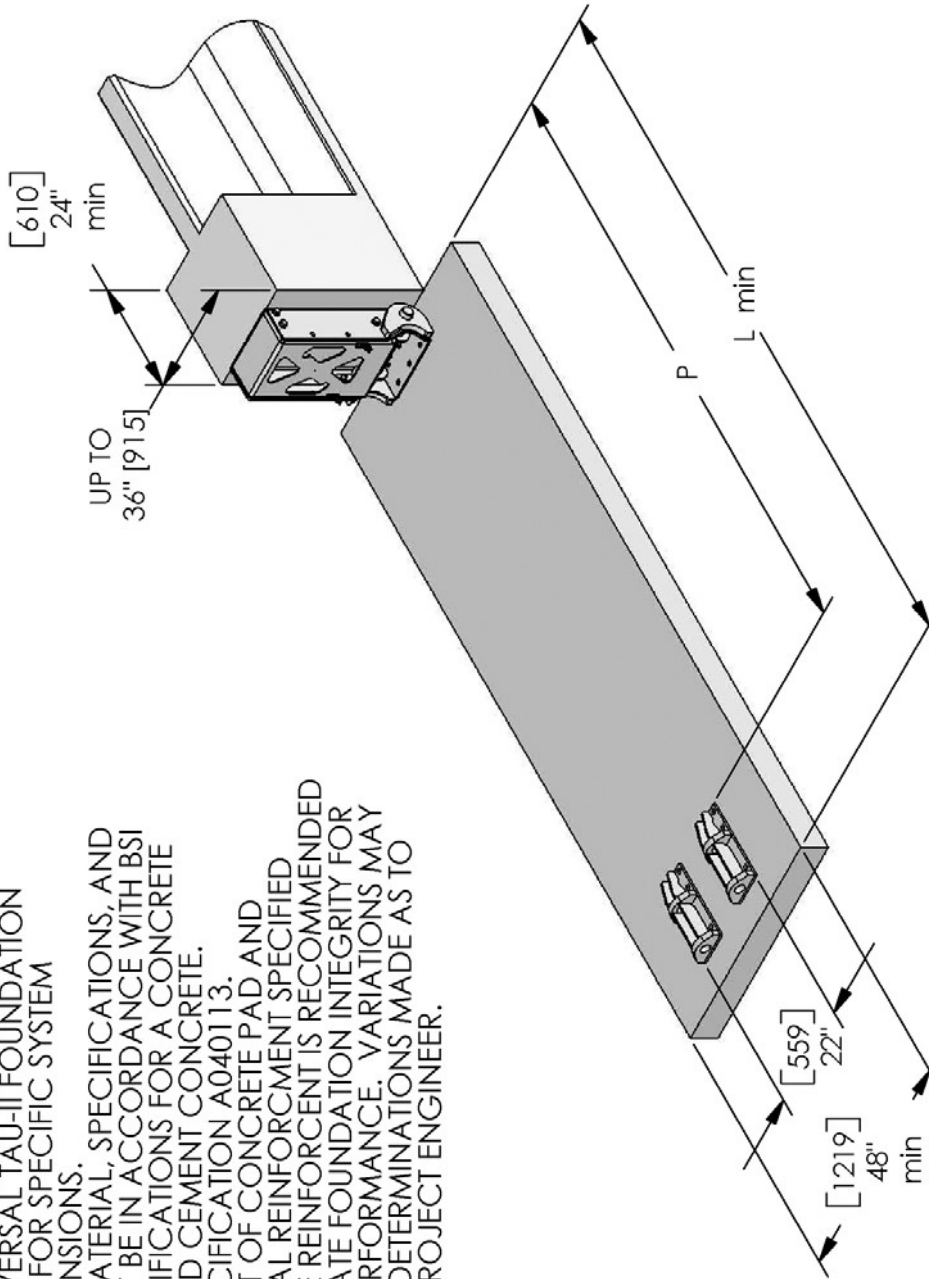




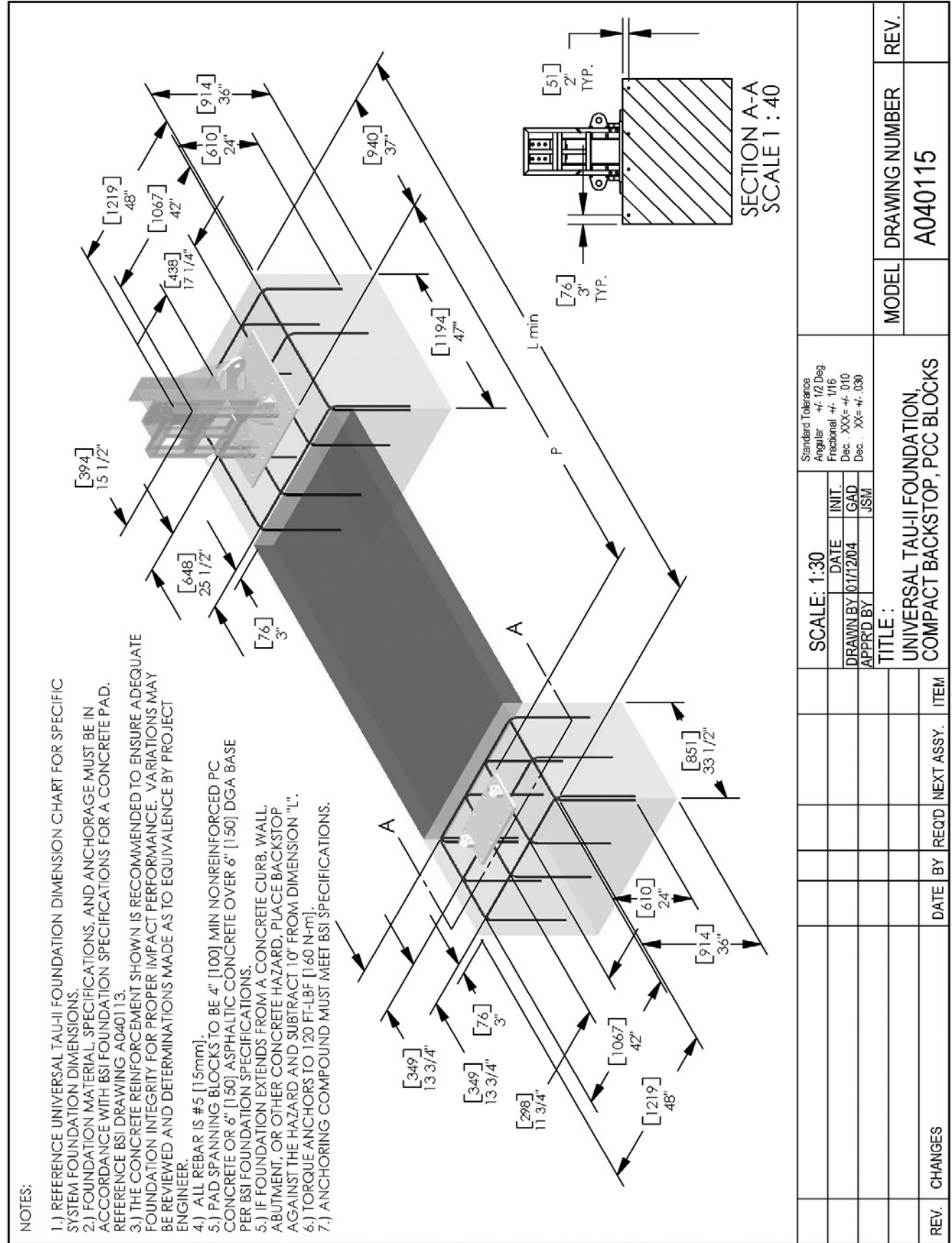


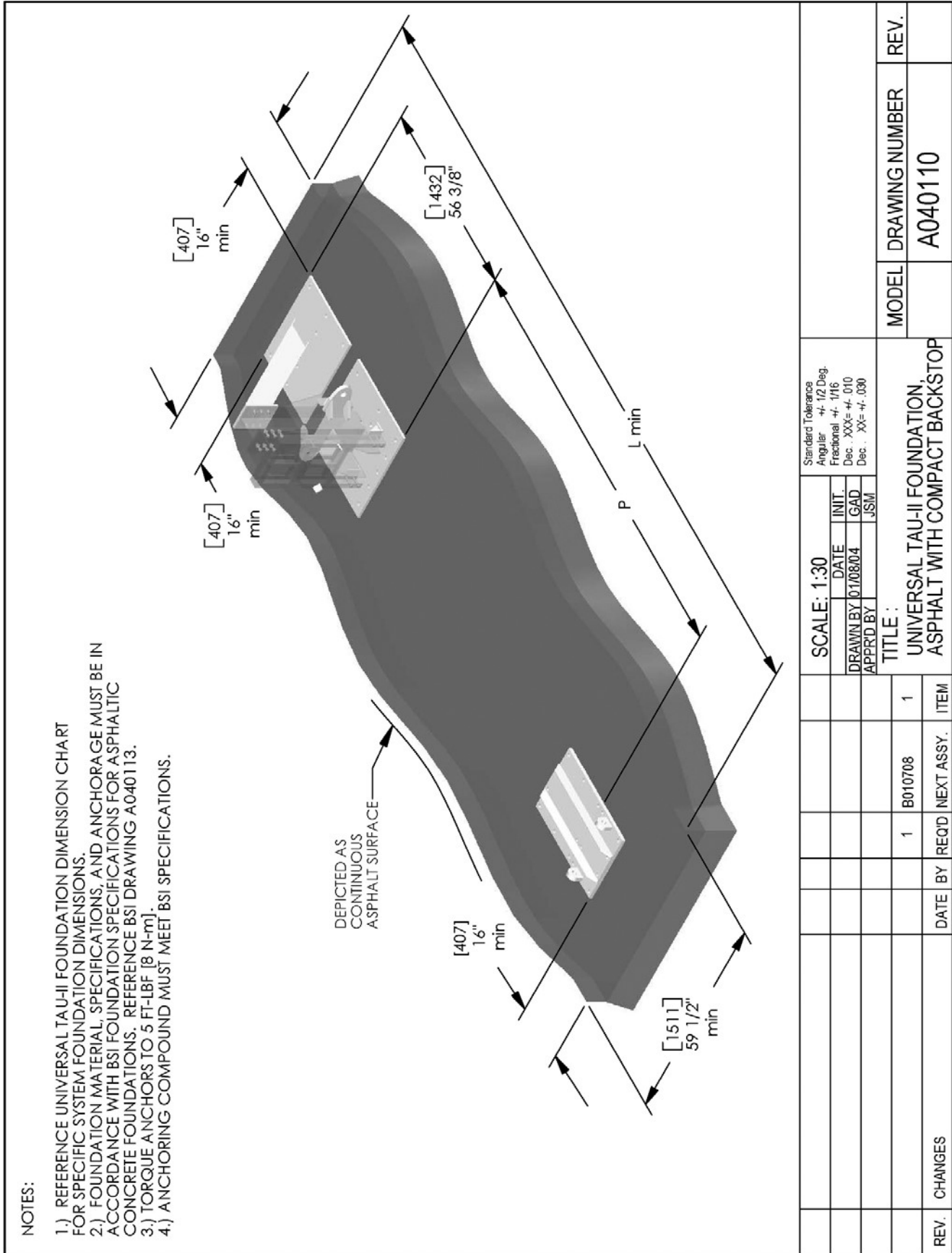
NOTES:

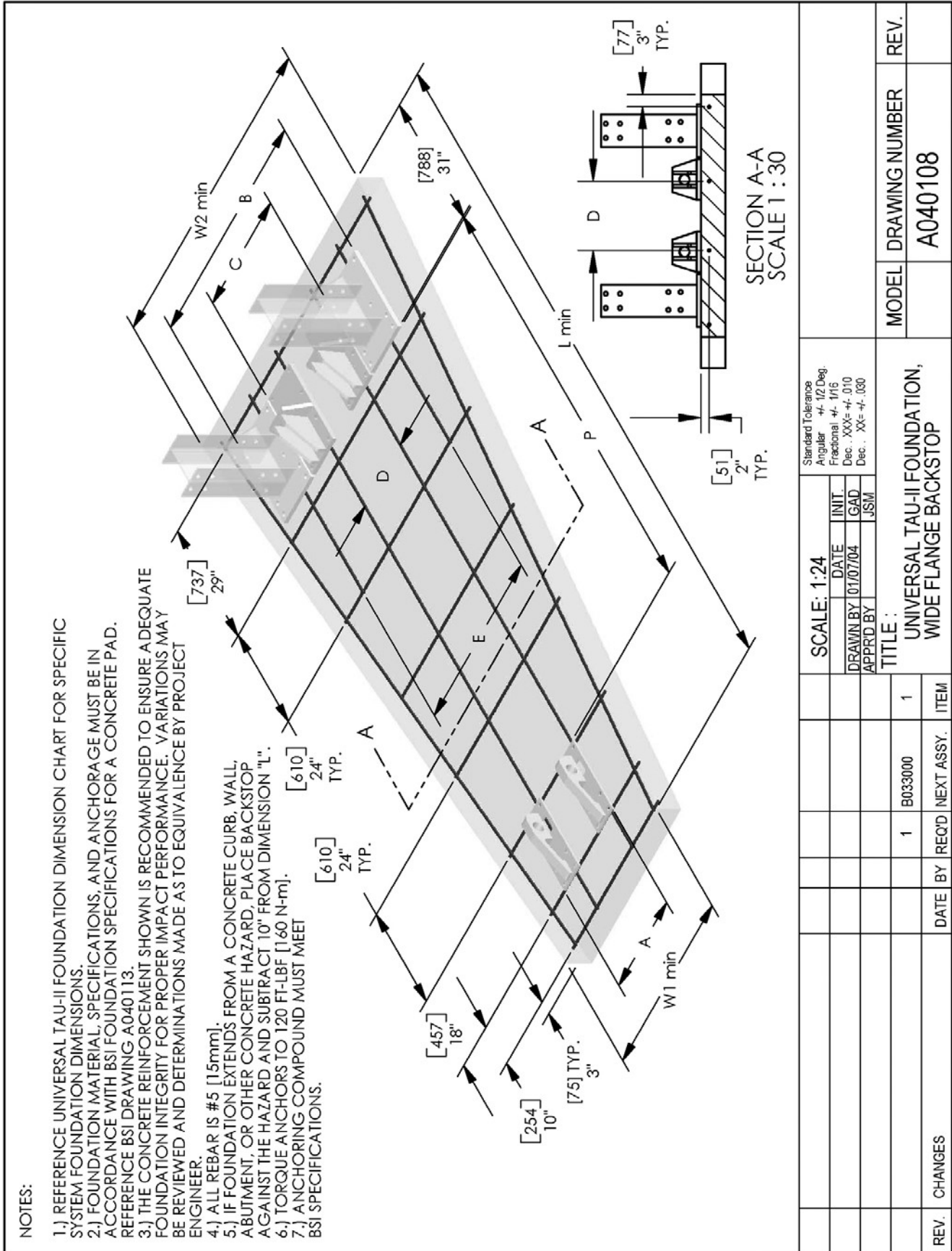
- 1.) REFERENCE UNIVERSAL TAU-II FOUNDATION DIMENSION CHART FOR SPECIFIC SYSTEM FOUNDATION DIMENSIONS.
- 2.) FOUNDATION MATERIAL, SPECIFICATIONS, AND ANCHORAGE MUST BE IN ACCORDANCE WITH BSI FOUNDATION SPECIFICATIONS FOR A CONCRETE PAD AND PORTLAND CEMENT CONCRETE. REFERENCE BSI SPECIFICATION A040113.
- 3.) REINFORCEMENT OF CONCRETE PAD AND BACKSTOP TO EQUAL REINFORCEMENT SPECIFIED IN BSI A040105. THE REINFORCEMENT IS RECOMMENDED TO ENSURE ADEQUATE FOUNDATION INTEGRITY FOR PROPER IMPACT PERFORMANCE. VARIATIONS MAY BE REVIEWED AND DETERMINATIONS MADE AS TO EQUIVALENCE BY PROJECT ENGINEER.



SCALE: 1:30		Standard Tolerance Angular: +/- .12 Deg Fractional: +/- 1/16 Dec: .XX +/- .010 Dec: .XX +/- .030		MODEL	DRAWING NUMBER	REV.
DRAWN BY	DATE	INIT.				
APPRD BY	04/28/04	GAD			A040420	
TITLE: UNIVERSAL TAU-II FOUNDATION, FLUSH MOUNT BACKSTOP - PCC PAD						
REV.	CHANGES	DATE	BY	REQD	NEXT ASSY.	ITEM
				1	B040239	1









SYSTEM WIDTH (IN)	UNIVERSAL TAU-II FOUNDATION DIMENSIONS												DRAWING NUMBER
	US STANDARD UNITS - INCHES												
	SYSTEM SPEED CAPACITY (MPH)												
	30	35	40 TL-2	50	53	55	60 TL-3	65	70	72	75		
UP TO 30" PCB BACKSTOP	30T050PBC 30T050PYC 85 1/2 62 3/4	30T060PBC 30T060PYC 119 1/2 96 7/8	30T070PBC 30T070PYC 154 131	30T080PBC 30T080PYC 188 165 1/8	30T085PBC 30T085PYC 222 199 1/4	30T090PBC 30T090PYC 256 233 3/8	30T100PBC 30T100PYC 290 1/2 267 1/2	30T105PBC 30T105PYC 324 1/2 301 1/2	30T110PBC 30T110PYC 358 1/2 335 3/4	30T115PBC 30T115PYC 392 1/2 369 7/8	30T120PBC 30T120PYC 426 1/2 404	A040105 A040117	
UP TO 30" COMPACT BACKSTOP	30T050CBC 30T050CYC 115 1/2 55 1/2	30T060CBC 30T060CYC 149 1/2 89 5/8	30T070CBC 30T070CYC 183 1/2 123 3/4	30T080CBC 30T080CYC 217 1/2 157 7/8	30T085CBC 30T085CYC 252 192	30T090CBC 30T090CYC 286 230	30T100CBC 30T100CYC 320 280 1/4	30T105CBC 30T105CYC 354 294 1/4	30T110CBC 30T110CYC 388 1/2 328 1/2	30T115CBC 30T115CYC 422 1/2 362 5/8	30T120CBC 30T120CYC 456 1/2 396 3/4	A040102 A040115	
UP TO 30" ASPHALT PCB BACKSTOP	30T050PBA 30T050PYA 139 3/4 62 3/4	30T060PBA 30T060PYA 173 3/4 96 7/8	30T070PBA 30T070PYA 208 1/4 131	30T080PBA 30T080PYA 242 1/4 165 1/8	30T085PBA 30T085PYA 276 1/4 199 1/4	30T090PBA 30T090PYA 310 1/4 233 3/8	30T100PBA 30T100PYA 344 3/4 287 1/2	30T105PBA 30T105PYA 378 3/4 301 1/2	30T110PBA 30T110PYA 412 3/4 335 3/4	30T115PBA 30T115PYA 446 3/4 369 7/8	30T120PBA 30T120PYA 480 3/4 404	A040112	
UP TO 30" ASPHALT COMPACT BACKSTOP	30T050CBA 30T050CYA 156 1/2 55 1/2	30T060CBA 30T060CYA 190 1/2 89 5/8	30T070CBA 30T070CYA 224 1/2 123 3/4	30T080CBA 30T080CYA 258 1/2 157 7/8	30T085CBA 30T085CYA 293 192	30T090CBA 30T090CYA 327 226 1/8	30T100CBA 30T100CYA 361 280 1/4	30T105CBA 30T105CYA 394 294 1/4	30T110CBA 30T110CYA 428 1/2 328 1/2	30T115CBA 30T115CYA 463 1/2 362 5/8	30T120CBA 30T120CYA 497 1/2 396 3/4	A040110	
36" PCB BACKSTOP	36T050PBC 36T050PYC 85 1/2 62 3/4	36T060PBC 36T060PYC 119 1/2 96 7/8	36T070PBC 36T070PYC 154 131	36T080PBC 36T080PYC 188 165 1/8	36T085PBC 36T085PYC 222 199 1/4	36T090PBC 36T090PYC 256 233 3/8	36T100PBC 36T100PYC 290 1/2 267 1/2	36T105PBC 36T105PYC 324 1/2 301 1/5	36T110PBC 36T110PYC 358 1/2 335 3/4	36T115PBC 36T115PYC 392 1/2 369 7/8	36T120PBC 36T120PYC 426 1/2 404	A040105 A040117	
36" COMPACT BACKSTOP	36T050CBC 36T050CYC 115 1/2 55 1/2	36T060CBC 36T060CYC 149 1/2 89 5/8	36T070CBC 36T070CYC 183 1/2 123 3/4	36T080CBC 36T080CYC 217 1/2 157 7/8	36T085CBC 36T085CYC 252 192	36T090CBC 36T090CYC 286 226 1/8	36T100CBC 36T100CYC 320 280 1/4	36T105CBC 36T105CYC 354 294 1/4	36T110CBC 36T110CYC 388 1/2 328 1/2	36T115CBC 36T115CYC 422 1/2 362 5/8	36T120CBC 36T120CYC 456 1/2 396 3/4	A040102 A040115	
36" ASPHALT PCB BACKSTOP	36T050PBA 36T050PYA 139 3/4 62 3/4	36T060PBA 36T060PYA 173 3/4 96 7/8	36T070PBA 36T070PYA 208 1/4 131	36T080PBA 36T080PYA 242 1/4 165 1/8	36T085PBA 36T085PYA 276 1/4 199 1/4	36T090PBA 36T090PYA 310 1/4 233 3/8	36T100PBA 36T100PYA 344 3/4 287 1/2	36T105PBA 36T105PYA 378 3/4 301 1/4	36T110PBA 36T110PYA 412 3/4 335 3/4	36T115PBA 36T115PYA 446 3/4 369 7/8	36T120PBA 36T120PYA 480 3/4 404	A040112	
36" ASPHALT COMPACT BACKSTOP	36T050CBA 36T050CYA 156 1/2 55 1/2	36T060CBA 36T060CYA 190 1/2 89 5/8	36T070CBA 36T070CYA 224 1/2 123 3/4	36T080CBA 36T080CYA 258 1/2 157 7/8	36T085CBA 36T085CYA 293 192	36T090CBA 36T090CYA 327 226 1/8	36T100CBA 36T100CYA 361 280 1/4	36T105CBA 36T105CYA 394 294 1/4	36T110CBA 36T110CYA 428 1/2 328 1/2	36T115CBA 36T115CYA 463 1/2 362 5/8	36T120CBA 36T120CYA 497 1/2 396 3/4	A040110	
UP TO 36" PCC PAD FLUSH MOUNT BACKSTOP	42T050WBC 42T050WYC 125 44	42T060WBC 42T060WYC 159 44	42T070WBC 42T070WYC 193 51	42T080WBC 42T080WYC 227 51	42T085WBC 42T085WYC 260 51	42T090WBC 42T090WYC 295 51	42T100WBC 42T100WYC 329 51	42T105WBC 42T105WYC 363 51	42T110WBC 42T110WYC 397 51	42T115WBC 42T115WYC 431 51	42T120WBC 42T120WYC 465 51	A040420	
	NA	NA	NA	NA	NA	NA	NA	NA	NA	NA	NA	A040108	

SYSTEM WIDTH (IN)	SYSTEM SPEED CAPACITY (MPH)										DRAWING NUMBER	
	30	35	40 TL-2	50	53	55	60 TL-3	65	70	72		75
48" WF BACKSTOP	48T050WBC	48T060WBC	48T070WBC	48T080WBC		48T090WBC	48T100WBC	48T105WBC	48T110WBC			
	48T050WYC	48T060WYC	48T070WYC	48T080WYC		48T090WYC	48T100WYC	48T105WYC	48T110WYC			
	L (in)	159	193	227		295	329	363	397			
	W1 (in)	44	44	44	44		44	44	44	44		
	W2 (in)	51	51	51	51		51	51	51	51		
	P (in)	65	99	133	167		235	269	303	337		
	A (in)	22	22	22	22		22	22	22	22		
54" WF BACKSTOP	54T050WBC	54T060WBC	54T070WBC	54T080WBC		54T090WBC	54T100WBC	54T105WBC	54T110WBC			
	54T050WYC	54T060WYC	54T070WYC	54T080WYC		54T090WYC	54T100WYC	54T105WYC	54T110WYC			
	L (in)	125	159	193	227		295	329	363			
	W1 (in)	44	44	44	44		44	44	44	44		
	W2 (in)	51	51	51	51		51	51	51	51		
	P (in)	65	99	133	167		235	269	303	337		
	A (in)	22	22	22	22		22	22	22	22		
60" WF BACKSTOP	60T050WBC	60T060WBC	60T070WBC	60T080WBC		60T090WBC	60T100WBC	60T105WBC	60T110WBC			
	60T050WYC	60T060WYC	60T070WYC	60T080WYC		60T090WYC	60T100WYC	60T105WYC	60T110WYC			
	L (in)	125	159	193	227		295	329	363			
	W1 (in)	44	44	44	44		44	44	44	44		
	W2 (in)	51	51	51	51		51	51	51	51		
	P (in)	65	99	133	167		235	269	303	337		
	A (in)	22	22	22	22		22	22	22	22		
66" WF BACKSTOP	66T050WBC	66T060WBC	66T070WBC	66T080WBC		66T090WBC	66T100WBC	66T105WBC	66T110WBC			
	66T050WYC	66T060WYC	66T070WYC	66T080WYC		66T090WYC	66T100WYC	66T105WYC	66T110WYC			
	L (in)	125	159	193	227		295	329	363			
	W1 (in)	69	69	69	69		69	69	69	69		
	W2 (in)	75	75	75	75		75	75	75	75		
	P (in)	65	99	133	167		235	269	303	337		
	A (in)	22	22	22	22		22	22	22	22		
72" WF BACKSTOP	72T050WBC	72T060WBC	72T070WBC	72T080WBC		72T090WBC	72T100WBC	72T105WBC	72T110WBC			
	72T050WYC	72T060WYC	72T070WYC	72T080WYC		72T090WYC	72T100WYC	72T105WYC	72T110WYC			
	L (in)	125	159	193	227		295	329	363			
	W1 (in)	69	69	69	69		69	69	69	69		
	W2 (in)	75	75	75	75		75	75	75	75		
	P (in)	65	99	133	167		235	269	303	337		
	A (in)	22	22	22	22		22	22	22	22		

SYSTEM WIDTH (IN)		SYSTEM SPEED CAPACITY (MPH)										DRAWING NUMBER
30	35	40 TL-2	50	53	55	60 TL-3	65	70	72	75		
<b>78" WF BACKSTOP</b>		78T060WBC	78T070WBC 78T070WYC	78T080WBC 78T080WYC		78T090WBC 78T090WYC	78T100WBC 78T100WYC	78T105WBC 78T105WYC	78T110WBC 78T110WYC			
L (in)	125	159	193		227	295	329	329				A040108
W1 (in)	69	69	69		44	44	44	44				
W2 (in)	75	75	75		75	75	75	75				
P (in)	65	99	133		167	235	269	269				
A (in)	48 5/8	48 5/8	48 5/8		48 5/8	48 5/8	48 5/8	48 5/8				
B (in)	54 3/4	54 3/4	54 3/4		54 3/4	54 3/4	54 3/4	54 3/4				
C (in)*	NA	NA	NA		NA	NA	NA	NA				
D (in)	42 5/8	42 5/8	42 5/8		42 5/8	16	16	16				
E (in)*	NA	NA	NA		NA	41 3/4	41 3/4	41 3/4				
<b>84" WF BACKSTOP</b>		84T070WBC	84T080WBC 84T080WYC	84T090WBC 84T090WYC		84T100WBC 84T100WYC	84T105WBC 84T105WYC	84T110WBC 84T110WYC				A040108
L (in)	159	193	193		227	295	329	329				
W1 (in)	69	69	69		69	44	44	44				
W2 (in)	75	75	75		75	75	75	75				
P (in)	99	99	133		167	235	269	269				
A (in)	48 5/8	48 5/8	48 5/8		48 5/8	48 5/8	48 5/8	48 5/8				
B (in)	54 3/4	54 3/4	54 3/4		54 3/4	54 3/4	54 3/4	54 3/4				
C (in)*	NA	NA	NA		NA	NA	NA	NA				
D (in)	42 5/8	42 5/8	42 5/8		42 5/8	16	16	16				
E (in)*	NA	NA	NA		NA	41 3/4	41 3/4	41 3/4				
<b>90" WF BACKSTOP</b>		90T070WBC	90T080WBC 90T080WYC	90T090WBC 90T090WYC		90T100WBC 90T100WYC	90T105WBC 90T105WYC	90T110WBC 90T110WYC				A040108
L (in)	159	193	193		227	295	329	329				
W1 (in)	69	69	69		69	44	44	44				
W2 (in)	99	99	99		99	99	99	99				
P (in)	99	99	133		167	235	269	269				
A (in)	48 5/8	48 5/8	48 5/8		48 5/8	48 5/8	48 5/8	48 5/8				
B (in)	78 5/8	78 5/8	78 5/8		78 5/8	78 5/8	78 5/8	78 5/8				
C (in)*	51 5/8	51 5/8	51 5/8		51 5/8	27 3/4	27 3/4	27 3/4				
D (in)	42 5/8	42 5/8	42 5/8		42 5/8	16	16	16				
E (in)*	NA	NA	NA		NA	65 5/8	65 5/8	65 5/8				
<b>96" WF BACKSTOP</b>		96T070WBC	96T080WBC 96T080WYC	96T090WBC 96T090WYC		96T100WBC 96T100WYC	96T105WBC 96T105WYC	96T110WBC 96T110WYC				A040108
L (in)	159	193	193		227	295	329	329				
W1 (in)	93	69	69		69	69	69	69				
W2 (in)	99	99	99		99	99	99	99				
P (in)	99	99	133		167	235	269	269				
A (in)	72 5/8	48 5/8	48 5/8		48 5/8	48 5/8	48 5/8	48 5/8				
B (in)	78 5/8	78 5/8	78 5/8		78 5/8	78 5/8	78 5/8	78 5/8				
C (in)*	NA	NA	NA		51 1/3	51 5/8	27 3/4	27 3/4				
D (in)	66 5/8	66 5/8	42 5/8		42 5/8	42 5/8	16	16				
E (in)*	NA	NA	65 5/8		65 5/8	65 5/8	65 5/8	65 5/8				
<b>102" WF BACKSTOP</b>								102T110WBC 102T110WYC				A040108
L (in)								329				
W1 (in)								69				
W2 (in)								99				
P (in)								269				
A (in)								48 5/8				
B (in)								78 5/8				
C (in)*								51 5/8				
D (in)								42 5/8				
E (in)*								65 5/8				

UNIVERSAL TAU-II FOUNDATION DIMENSIONS

METRIC UNITS - MILLIMETERS

SYSTEM WIDTH (mm)	SYSTEM SPEED CAPACITY (KPH)												DRAWING NUMBER
	50	60	70 TL-2	80	85	90	100 TL-3	105	110	115	120		
UP TO 760mm PCB BACKSTOP L (mm) P (mm)	30T050PBC	30T060PBC	30T070PBC	30T080PBC	30T085PBC	30T090PBC	30T100PBC	30T105PBC	30T110PBC	30T115PBC	30T120PBC	A040105 A040117	
	2172	3035	3912	4775	5639	6502	7379	8242	9106	9970	10833		
	1594	2461	3327	4194	5061	5928	6795	7661	8528	9395	10262		
UP TO 760mm COMPACT BACKSTOP	30T050CBC	30T060CBC	30T070CBC	30T080CBC	30T085CBC	30T090CBC	30T100CBC	30T105CBC	30T110CBC	30T115CBC	30T120CBC	A040102 A040115	
	2934	3797	4661	5525	6401	7264	8128	8991	9868	10732	11595		
	1410	2276	3143	4010	4877	5744	6610	7477	8344	9211	10077		
UP TO 760mm ASPHALT PCB BACKSTOP	30T050PBA	30T060PBA	30T070PBA	30T080PBA	30T085PBA	30T090PBA	30T100PBA	30T105PBA	30T110PBA	30T115PBA	30T120PBA	A040112	
	3550	4413	5290	6153	7017	7880	8757	9620	10484	11347	12211		
	1594	2461	3327	4194	5061	5928	6795	7661	8528	9395	10262		
UP TO 760mm ASPHALT COMPACT BACKSTOP	30T050CYA	30T060CYA	30T070CYA	30T080CYA	30T085CYA	30T090CYA	30T100CYA	30T105CYA	30T110CYA	30T115CYA	30T120CYA	A040110	
	3975	4839	5702	6566	7442	8306	9169	10033	10909	11773	12637		
	1410	2276	3143	4010	4877	5744	6610	7477	8344	9211	10077		
915mm PCB BACKSTOP	36T050PBC	36T060PBC	36T070PBC	36T080PBC	36T085PBC	36T090PBC	36T100PBC	36T105PBC	36T110PBC	36T115PBC	36T120PBC	A040105 A040117	
	2172	3035	3912	4775	5639	6502	7379	8242	9106	9970	10833		
	1594	2461	3327	4194	5061	5928	6795	7661	8528	9395	10262		
915mm COMPACT BACKSTOP	36T050CBC	36T060CBC	36T070CBC	36T080CBC	36T085CBC	36T090CBC	36T100CBC	36T105CBC	36T110CBC	36T115CBC	36T120CBC	A040102 A040115	
	2934	3797	4661	5525	6401	7264	8128	8991	9868	10732	11595		
	1410	2276	3143	4010	4877	5744	6610	7477	8344	9211	10077		
915mm ASPHALT PCB BACKSTOP	36T050PBA	36T060PBA	36T070PBA	36T080PBA	36T085PBA	36T090PBA	36T100PBA	36T105PBA	36T110PBA	36T115PBA	36T120PBA	A040112	
	3550	4413	5290	6153	7017	7880	8757	9620	10484	11347	12211		
	1594	2461	3327	4194	5061	5928	6795	7661	8528	9395	10262		
915mm ASPHALT COMPACT BACKSTOP	36T050CYA	36T060CYA	36T070CYA	36T080CYA	36T085CYA	36T090CYA	36T100CYA	36T105CYA	36T110CYA	36T115CYA	36T120CYA	A040110	
	3975	4839	5702	6566	7442	8306	9169	10033	10909	11773	12637		
	1511	2375	3239	4102	4978	5842	6706	7569	8446	9309	10173		
UP TO 915mm PCC PAD FLUSH MOUNT BACKSTOP	42T050WBC	42T060WBC	42T070WBC	42T080WBC	42T085WBC	42T090WBC	42T100WBC	42T105WBC	42T110WBC	42T115WBC	42T120WBC	A040420	
	3175	4039	4902	5766	6630	7493	8357	9220	10084	10948	11812		
	1118	1118	1118	1118	1118	1118	1118	1118	1118	1118	1118		
1070mm WF BACKSTOP	42T050WYC	42T060WYC	42T070WYC	42T080WYC	42T085WYC	42T090WYC	42T100WYC	42T105WYC	42T110WYC	42T115WYC	42T120WYC	A040108	
	3175	4039	4902	5766	6630	7493	8357	9220	10084	10948	11812		
	1118	1118	1118	1118	1118	1118	1118	1118	1118	1118	1118		

SYSTEM WIDTH (mm)	SYSTEM SPEED CAPACITY (KPH)										DRAWING NUMBER
	50	60	70 TL-2	80	85	90	100 TL-3	105	110	115	
1220mm WF BACKSTOP	48T050WBC	48T060WBC	48T070WBC	48T080WBC	48T090WBC	48T090WBC	48T100WBC	48T105WBC	48T110WBC		
	48T050WYC	48T060WYC	48T070WYC	48T080WYC	48T090WYC	48T090WYC	48T100WYC	48T105WYC	48T110WYC		
	L (mm)	4039	4902	5766	7493	7493	8357	9220	10084		
	W1 (mm)	1118	1118	1118	1118	1118	1118	1118	1118		
	W2 (mm)	1295	1295	1295	1295	1295	1295	1295	1295		
	P (mm)	1651	3378	3378	4242	5969	5969	6833	7696	8560	
	A (mm)	559	559	559	559	559	559	559	559	559	
	B (mm)	787	787	787	787	787	787	787	787	787	
	C (mm)	NA	NA	NA	NA	NA	NA	NA	NA	NA	
	D (mm)	406	406	406	406	406	406	406	406	406	
E (mm)	NA	NA	NA	NA	NA	NA	NA	NA	NA		
1370mm WF BACKSTOP	54T050WBC	54T060WBC	54T070WBC	54T080WBC	54T090WBC	54T090WBC	54T100WBC	54T105WBC	54T110WBC		
	54T050WYC	54T060WYC	54T070WYC	54T080WYC	54T090WYC	54T090WYC	54T100WYC	54T105WYC	54T110WYC		
	L (mm)	3175	4039	4902	5766	7493	8357	9220	10084		
	W1 (mm)	1118	1118	1118	1118	1118	1118	1118	1118		
	W2 (mm)	1295	1295	1295	1295	1295	1295	1295	1295		
	P (mm)	1651	2515	3378	4242	5969	6833	7696	8560		
	A (mm)	559	559	559	559	559	559	559	559		
	B (mm)	787	787	787	787	787	787	787	787		
	C (mm)	NA	NA	NA	NA	NA	NA	NA	NA		
	D (mm)	406	406	406	406	406	406	406	406		
E (mm)	NA	NA	NA	NA	NA	NA	NA	NA			
1525mm WF BACKSTOP	60T050WBC	60T060WBC	60T070WBC	60T080WBC	60T090WBC	60T090WBC	60T100WBC	60T105WBC	60T110WBC		
	60T050WYC	60T060WYC	60T070WYC	60T080WYC	60T090WYC	60T090WYC	60T100WYC	60T105WYC	60T110WYC		
	L (mm)	3175	4039	4902	5766	7493	8357	9220	10084		
	W1 (mm)	1118	1118	1118	1118	1118	1118	1118	1118		
	W2 (mm)	1295	1295	1295	1295	1295	1295	1295	1295		
	P (mm)	1651	2515	3378	4242	5969	6833	7696	8560		
	A (mm)	559	559	559	559	559	559	559	559		
	B (mm)	787	787	787	787	787	787	787	787		
	C (mm)	NA	NA	NA	NA	NA	NA	NA	NA		
	D (mm)	406	406	406	406	406	406	406	406		
E (mm)	NA	NA	NA	NA	NA	NA	NA	NA			
1675mm WF BACKSTOP	66T050WBC	66T060WBC	66T070WBC	66T080WBC	66T090WBC	66T090WBC	66T100WBC	66T105WBC	66T110WBC		
	66T050WYC	66T060WYC	66T070WYC	66T080WYC	66T090WYC	66T090WYC	66T100WYC	66T105WYC	66T110WYC		
	L (mm)	3175	4039	4902	5766	7493	8357	9220	10084		
	W1 (mm)	1753	1753	1753	1753	1753	1753	1753	1753		
	W2 (mm)	1905	1905	1905	1905	1905	1905	1905	1905		
	P (mm)	1651	2515	3378	4242	5969	6833	7696	8560		
	A (mm)	559	559	559	559	559	559	559	559		
	B (mm)	1391	1391	1391	1391	1391	1391	1391	1391		
	C (mm)	NA	NA	NA	NA	NA	NA	NA	NA		
	D (mm)	1083	1083	1083	1083	1083	1083	1083	1083		
E (mm)	NA	NA	NA	NA	NA	NA	NA	NA			
1830mm WF BACKSTOP	72T050WBC	72T060WBC	72T070WBC	72T080WBC	72T090WBC	72T090WBC	72T100WBC	72T105WBC	72T110WBC		
	72T050WYC	72T060WYC	72T070WYC	72T080WYC	72T090WYC	72T090WYC	72T100WYC	72T105WYC	72T110WYC		
	L (mm)	3175	4039	4902	5766	7493	8357	9220	10084		
	W1 (mm)	1753	1753	1753	1753	1753	1753	1753	1753		
	W2 (mm)	1905	1905	1905	1905	1905	1905	1905	1905		
	P (mm)	1651	2515	3378	4242	5969	6833	7696	8560		
	A (mm)	559	559	559	559	559	559	559	559		
	B (mm)	1391	1391	1391	1391	1391	1391	1391	1391		
	C (mm)	NA	NA	NA	NA	NA	NA	NA	NA		
	D (mm)	1083	1083	1083	1083	1083	1083	1083	1083		
E (mm)	NA	NA	NA	NA	NA	NA	NA	NA			

SYSTEM WIDTH (mm)	SYSTEM SPEED CAPACITY (KPH)										DRAWING NUMBER	
	50	60	70 TL-2	80	85	90	100 TL-3	105	110	115		120
1980mm WF BACKSTOP	78T060WBC	78T060WYC	78T070WBC	78T080WBC	78T080WYC	78T090WBC	78T100WBC	78T100WYC	78T105WBC	78T110WBC	78T110WYC	A040108
	L (mm)	3175	4039	4902	4902	5766	7493	7493	8357	8357	8357	
	W1 (mm)	1753	1753	1753	1753	1753	1118	1118	1118	1118	1118	
	W2 (mm)	1905	1905	1905	1905	1905	1905	1905	1905	1905	1905	
	P (mm)	1651	3378	3378	3378	4242	5969	5969	6833	6833	6833	
	A (mm)	1235	1235	1235	1235	1235	559	559	559	559	559	
	B (mm)	1391	1391	1391	1391	1391	1391	1391	1391	1391	1391	
	C (mm)	NA	NA	NA	NA	NA	705	705	705	705	705	
	D (mm)	1083	1083	1083	1083	1083	1060	1060	1060	1060	1060	
	E (mm)	NA	NA	NA	NA	NA	1060	1060	1060	1060	1060	
2135mm WF BACKSTOP	84T070WBC	84T080WBC	84T070WYC	84T080WYC	84T090WBC	84T090WYC	84T100WBC	84T100WYC	84T105WBC	84T110WBC	84T110WYC	A040108
	L (mm)	4039	4902	4902	4902	5766	7493	7493	8357	8357	8357	
	W1 (mm)	1753	1753	1753	1753	1753	1118	1118	1118	1118	1118	
	W2 (mm)	1905	1905	1905	1905	1905	1905	1905	1905	1905	1905	
	P (mm)	2515	3378	3378	3378	4242	5969	5969	6833	6833	6833	
	A (mm)	1235	1235	1235	1235	1235	559	559	559	559	559	
	B (mm)	1391	1391	1391	1391	1391	1391	1391	1391	1391	1391	
	C (mm)	NA	NA	NA	NA	NA	705	705	705	705	705	
	D (mm)	1083	1083	1083	1083	1083	1060	1060	1060	1060	1060	
	E (mm)	NA	NA	NA	NA	NA	1060	1060	1060	1060	1060	
2285mm WF BACKSTOP	90T070WBC	90T080WBC	90T070WYC	90T080WYC	90T090WBC	90T090WYC	90T100WBC	90T100WYC	90T105WBC	90T110WBC	90T110WYC	A040108
	L (mm)	4039	4902	4902	4902	5766	7493	7493	8357	8357	8357	
	W1 (mm)	1753	1753	1753	1753	1753	1118	1118	1118	1118	1118	
	W2 (mm)	1905	1905	1905	1905	1905	1905	1905	1905	1905	1905	
	P (mm)	2515	3378	3378	3378	4242	5969	5969	6833	6833	6833	
	A (mm)	1235	1235	1235	1235	1235	559	559	559	559	559	
	B (mm)	1391	1391	1391	1391	1391	1391	1391	1391	1391	1391	
	C (mm)	1311	1311	1311	1311	1311	705	705	705	705	705	
	D (mm)	1083	1083	1083	1083	1083	1060	1060	1060	1060	1060	
	E (mm)	1667	1667	1667	1667	1667	1667	1667	1667	1667	1667	
2440mm WF BACKSTOP	96T070WBC	96T080WBC	96T070WYC	96T080WYC	96T090WBC	96T090WYC	96T100WBC	96T100WYC	96T105WBC	96T110WBC	96T110WYC	A040108
	L (mm)	4039	4902	4902	4902	5766	7493	7493	8357	8357	8357	
	W1 (mm)	1753	1753	1753	1753	1753	1118	1118	1118	1118	1118	
	W2 (mm)	2362	2515	2515	2515	2515	2515	2515	2515	2515	2515	
	P (mm)	2515	3378	3378	3378	4242	5969	5969	6833	6833	6833	
	A (mm)	1845	1235	1235	1235	1235	559	559	559	559	559	
	B (mm)	1997	1997	1997	1997	1997	1997	1997	1997	1997	1997	
	C (mm)	NA	1311	1311	1311	1311	705	705	705	705	705	
	D (mm)	1692	1083	1083	1083	1083	1083	1083	1083	1083	1083	
	E (mm)	NA	1667	1667	1667	1667	1667	1667	1667	1667	1667	
2590mm WF BACKSTOP	102T110WBC	102T110WYC										A040108
	L (mm)	8357	8357									
	W1 (mm)	1753	1753									
	W2 (mm)	2515	2515									
	P (mm)	6833	6833									
	A (mm)	2515	2515									
	B (mm)	6833	6833									
	C (mm)	1235	1235									
	D (mm)	1311	1311									
	E (mm)	1083	1083									

**APPENDIX D  
TRANSITIONS**

There are a variety of transition options available for the TAU-II system. The system was designed to be compatible with a variety of generic transitions already available to the industry.

**Placement and installation of the TAU-II system and transitions must be accomplished in accordance with the guidelines and recommendations set forth in the “AASHTO Roadside Design Guide,” FHWA memoranda and other state and local standards.**

There are different transition configurations depending on which backstop you are using (Compact or P.C.B.). Transition options for either of the backstop systems are shown in the following drawings.

**DRAWINGS**

PCB Backstop to Vertical Concrete ..... 64  
DWG# B010727

PCB Backstop to Safety Shape PCB ..... 65  
DWG# B10809

Compact Backstop to Safety Shape PCB .. 66  
DWG# B010725

Compact Backstop to Safety Shape PCB  
One Side..... 67  
DWG# B010811

Compact backstop to Safety shape PCB  
Offset ..... 68  
DWG# B010726

Compact Backstop to Concrete End Shoe 69  
DWG# B010806

Compact Backstop to Thrie Beam Rail .... 70  
DWG# B010724

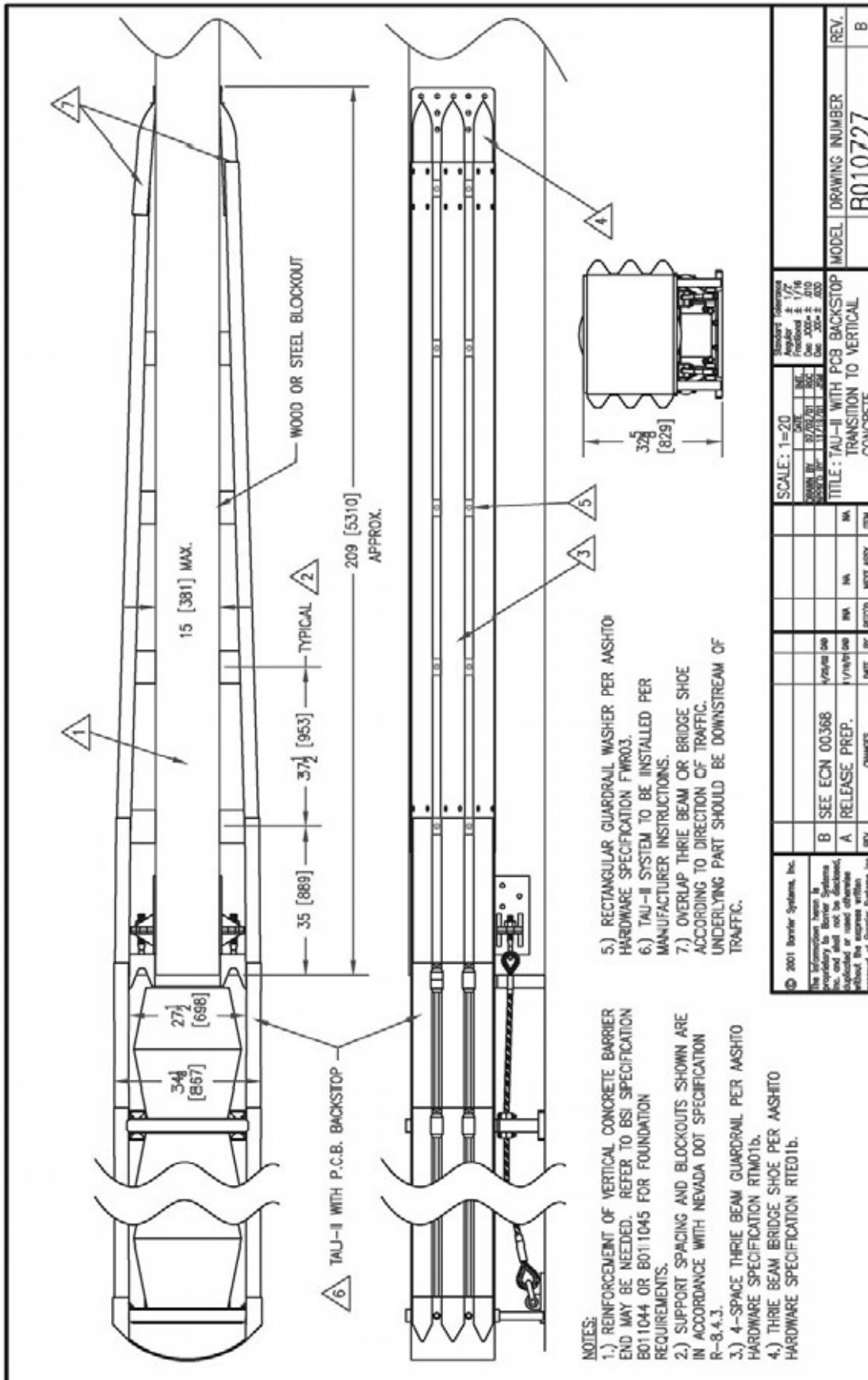
Compact Backstop to W-Beam Rail ..... 71  
DWG# B010728

Transition to Median Barrier..... 72  
DWG # B050606

Transition to Concrete Block ..... 73  
DWG#AP070406

Wide System to Bridge Pier  
with Concrete Barrier ..... 74  
DWG#AP070405

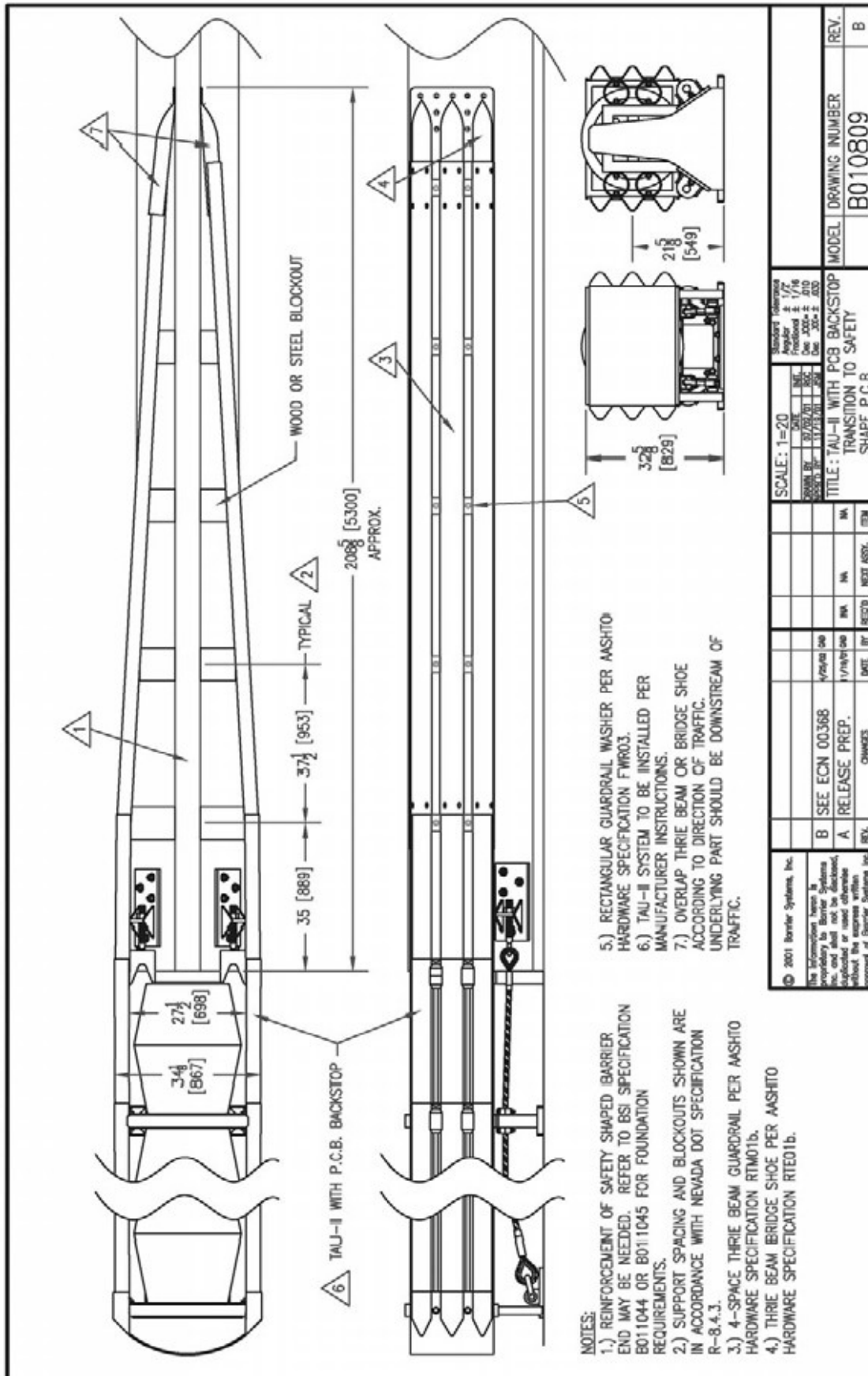
Transition to Cylindrical Bridge Pier ..... 75  
DWG#AP070301

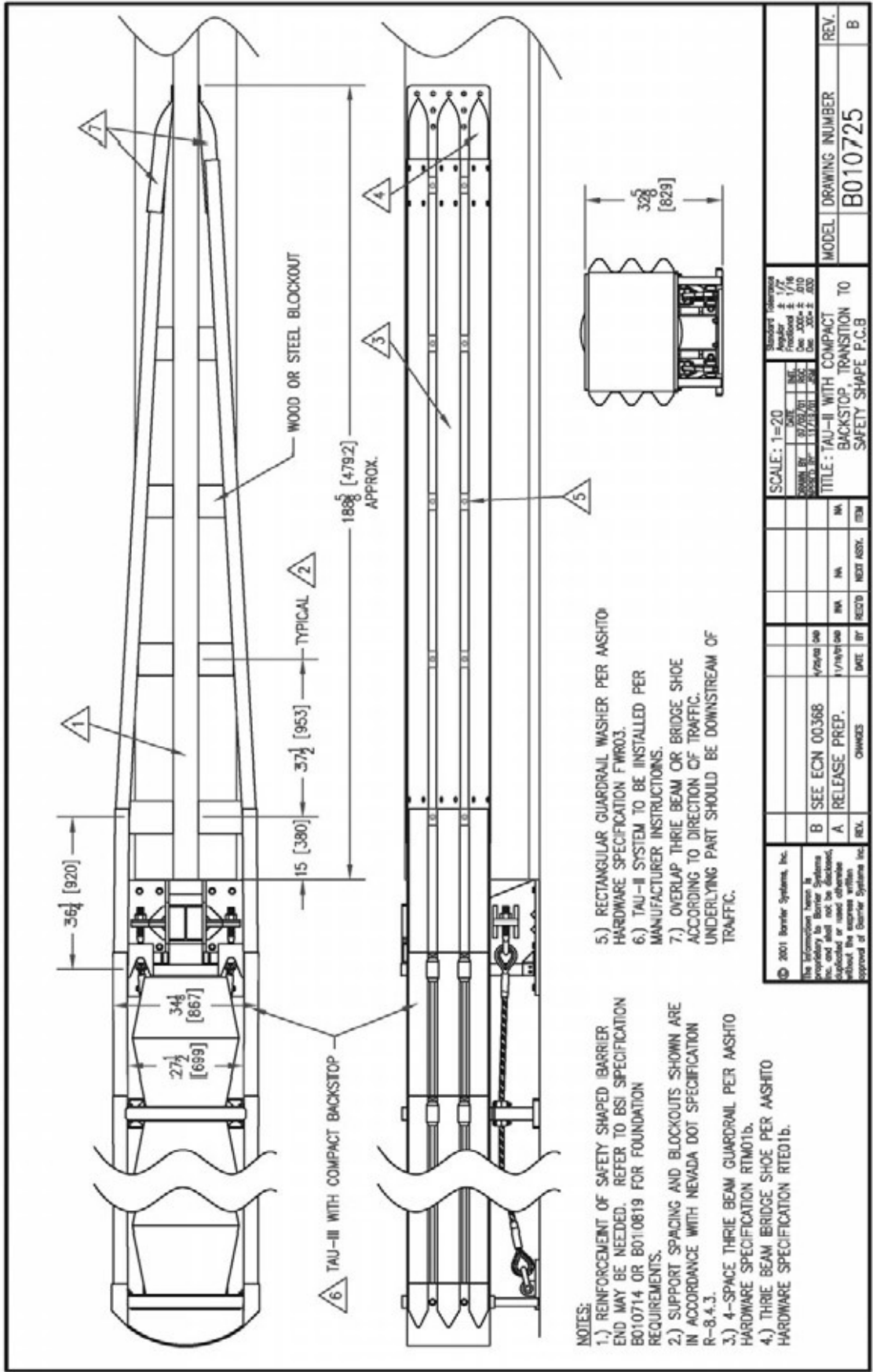


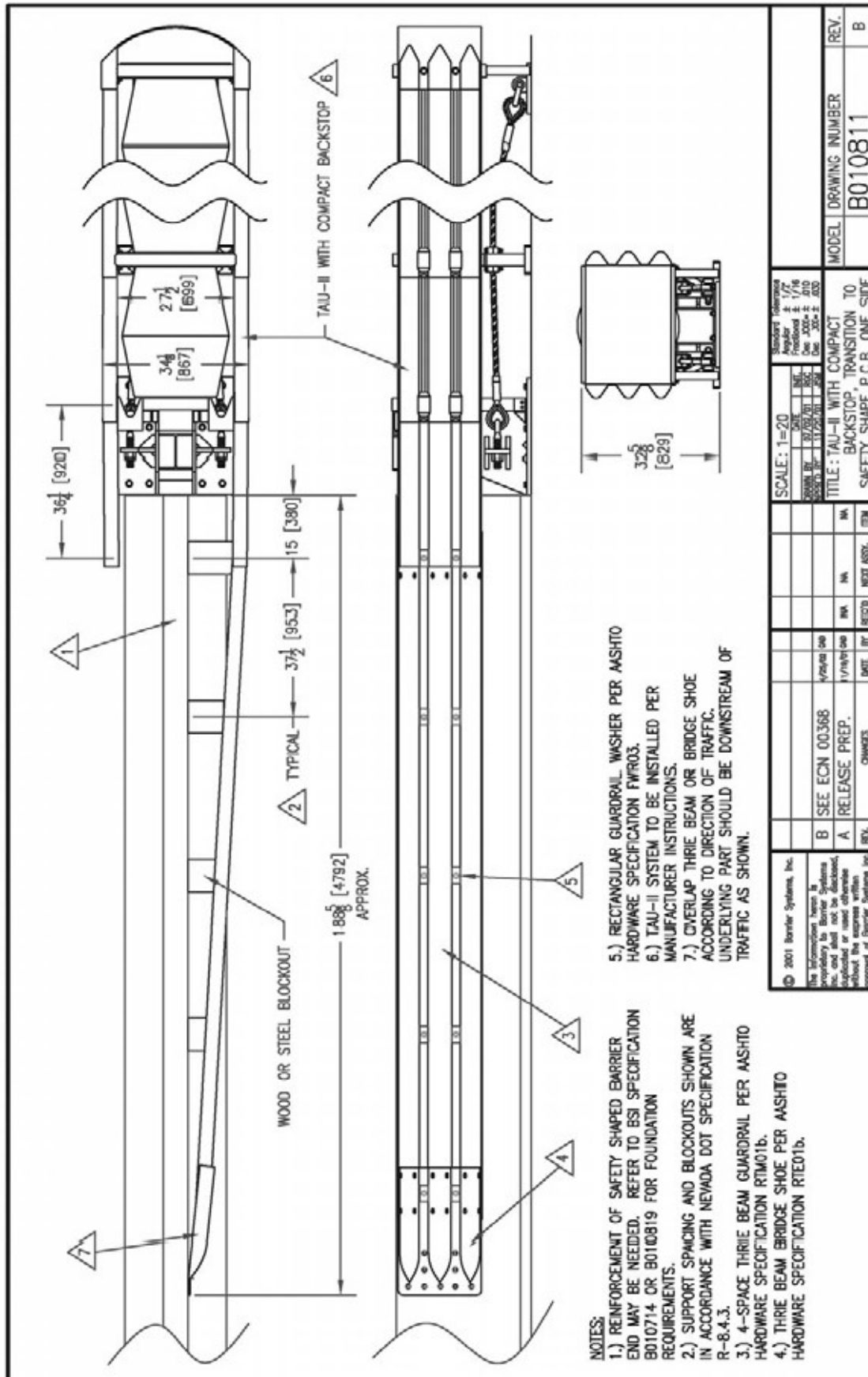
- NOTES:
- 1.) REINFORCEMENT OF VERTICAL CONCRETE BARRIER END MAY BE NEEDED. REFER TO BSI SPECIFICATION B011044 OR B011045 FOR FOUNDATION REQUIREMENTS.
  - 2.) SUPPORT SPACING AND BLOCKOUTS SHOWN ARE IN ACCORDANCE WITH NEVADA DOT SPECIFICATION R-8.4.3.
  - 3.) 4-SPACE THREE BEAM GUARDRAIL PER MASHTO HARDWARE SPECIFICATION RTM01b.
  - 4.) THREE BEAM BRIDGE SHOE PER MASHTO HARDWARE SPECIFICATION RTE01b.
  - 5.) RECTANGULAR GUARDRAIL WASHER PER MASHTO HARDWARE SPECIFICATION FWR03.
  - 6.) TAU-II SYSTEM TO BE INSTALLED PER MANUFACTURER INSTRUCTIONS.
  - 7.) OVERLAP THREE BEAM OR BRIDGE SHOE ACCORDING TO DIRECTION OF TRAFFIC. UNDERLYING PART SHOULD BE DOWNSTREAM OF TRAFFIC.

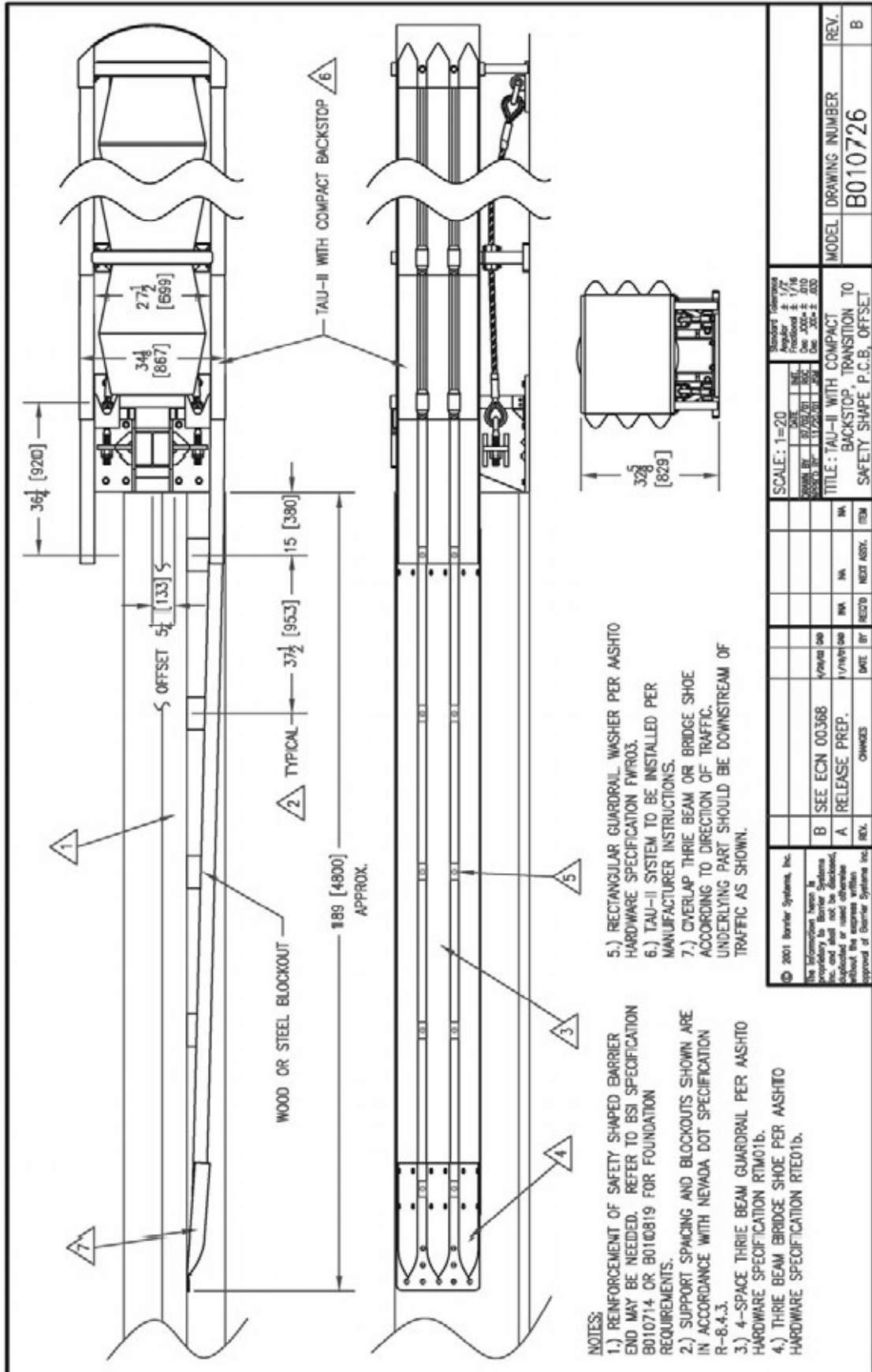
© 2011 Barrier Systems, Inc. This information is the property of Barrier Systems, Inc. and shall not be disclosed, reproduced or used otherwise without the express written approval of Barrier Systems, Inc.	SCALE: 1=20 DATE: 02/09/10 DRAWN BY: 11/23/10 CHECKED BY:	Standard Practices Assembler ± 1/16 Fractional ± 1/16 Dec ± .005 ± .010 Dec ± .05 ± .030	MODEL: B010727 REV: B
B SEE ECN 00368 A RELEASE PREP.	DATE OF CHANGES BY REVISIONS REVISIONS REVISIONS REVISIONS	TITLE: TAU-II WITH PCB BACKSTOP TRANSITION TO VERTICAL CONCRETE	DRAWING NUMBER: B010727 REV: B

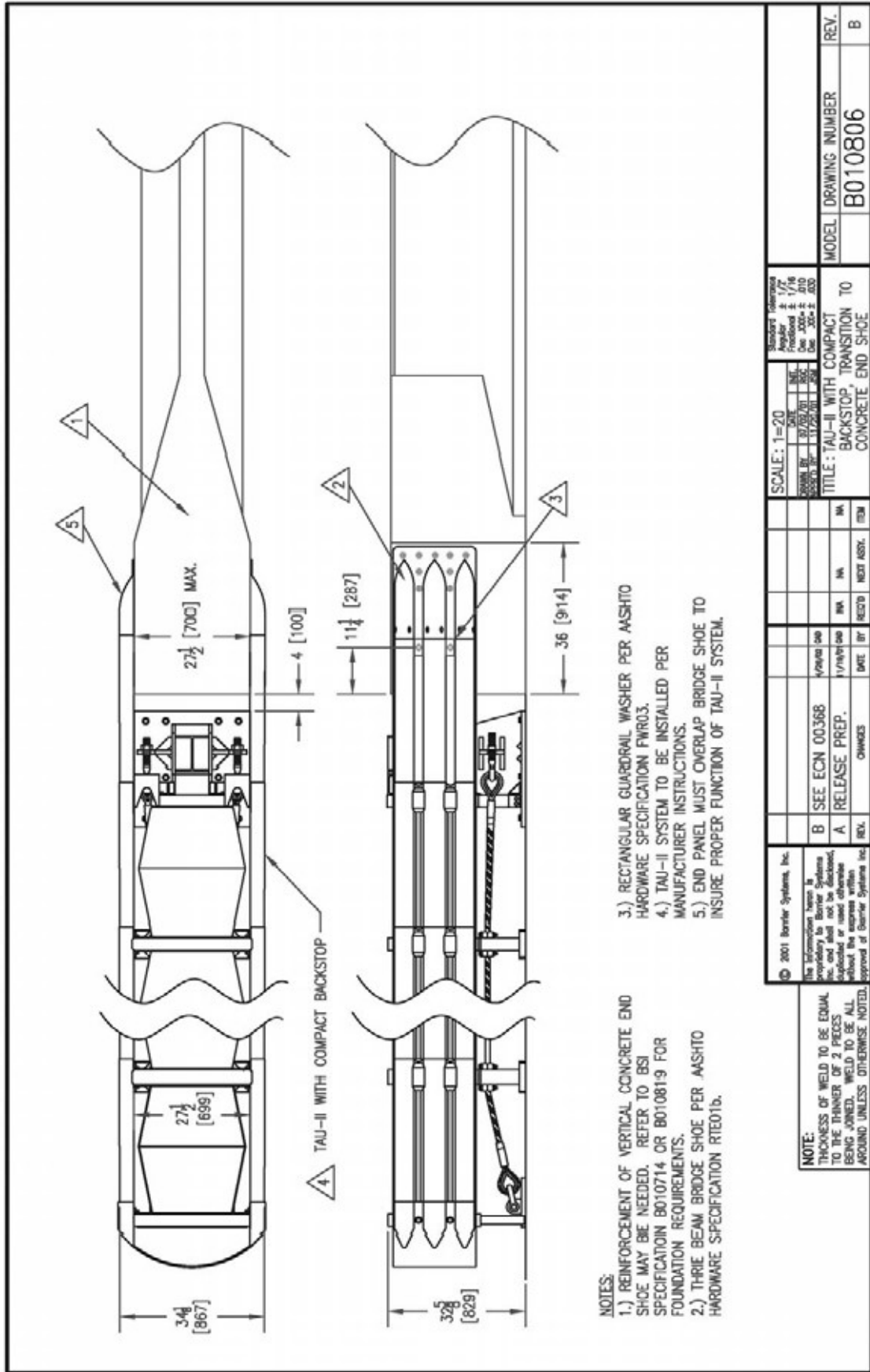


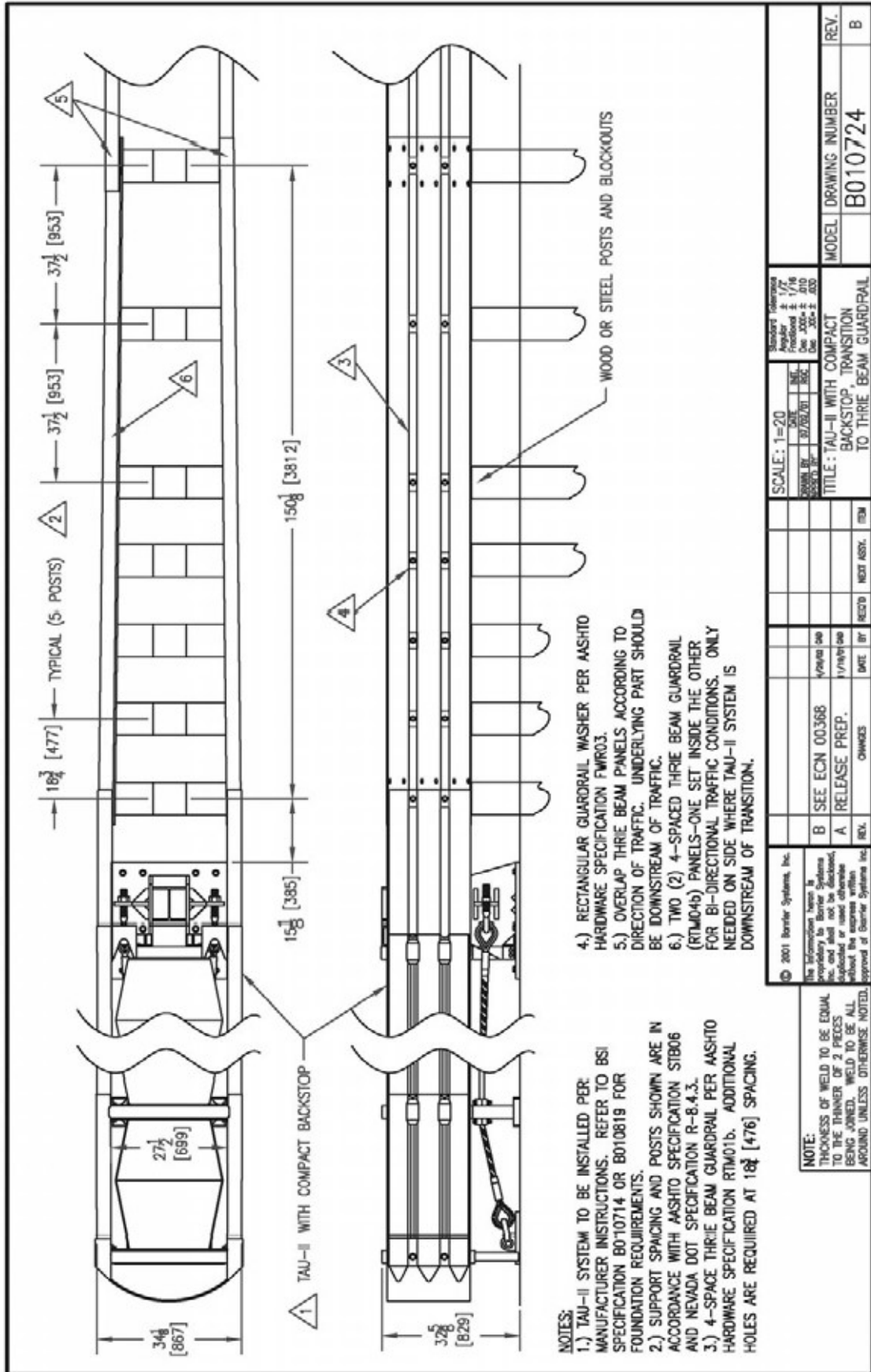


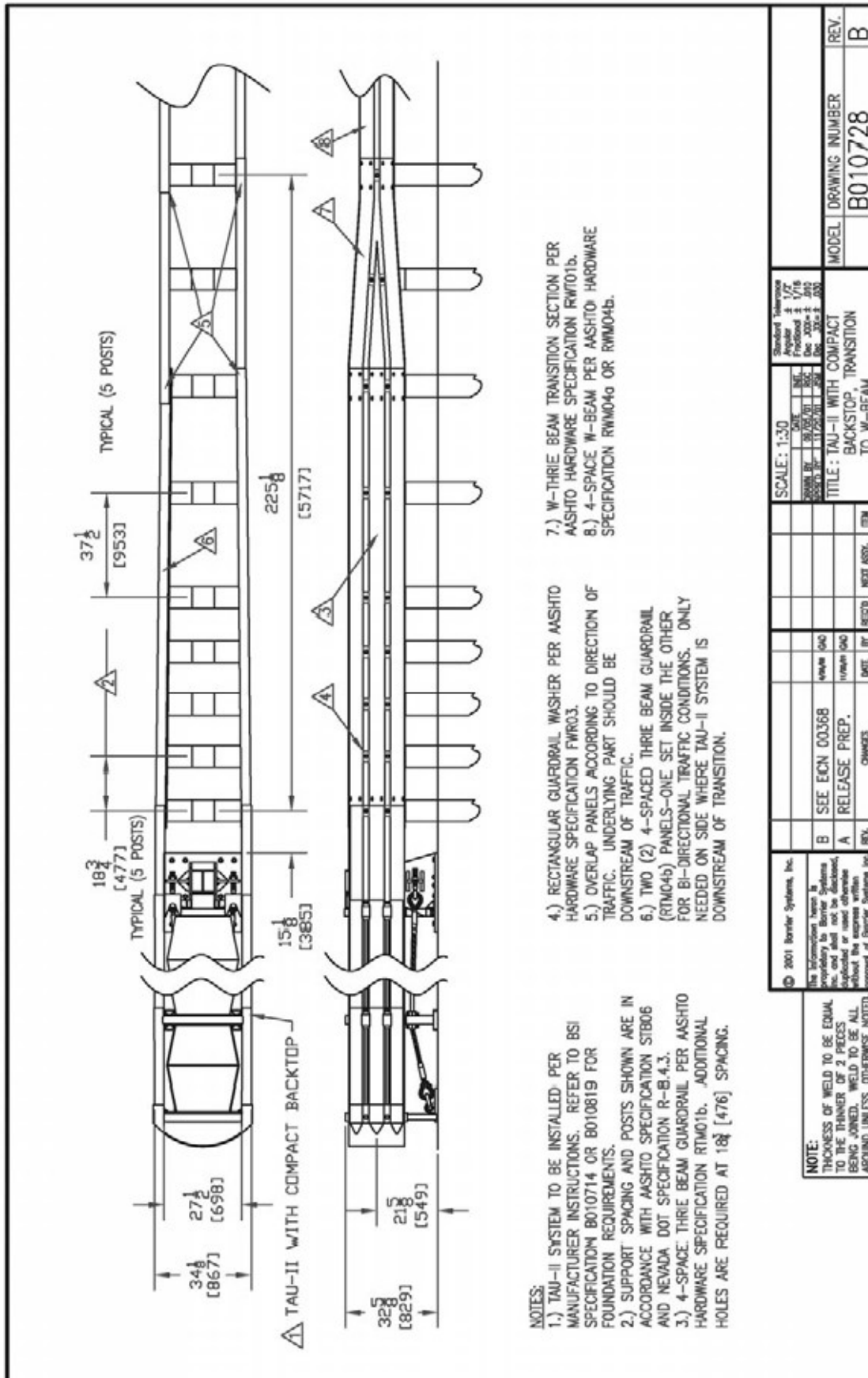


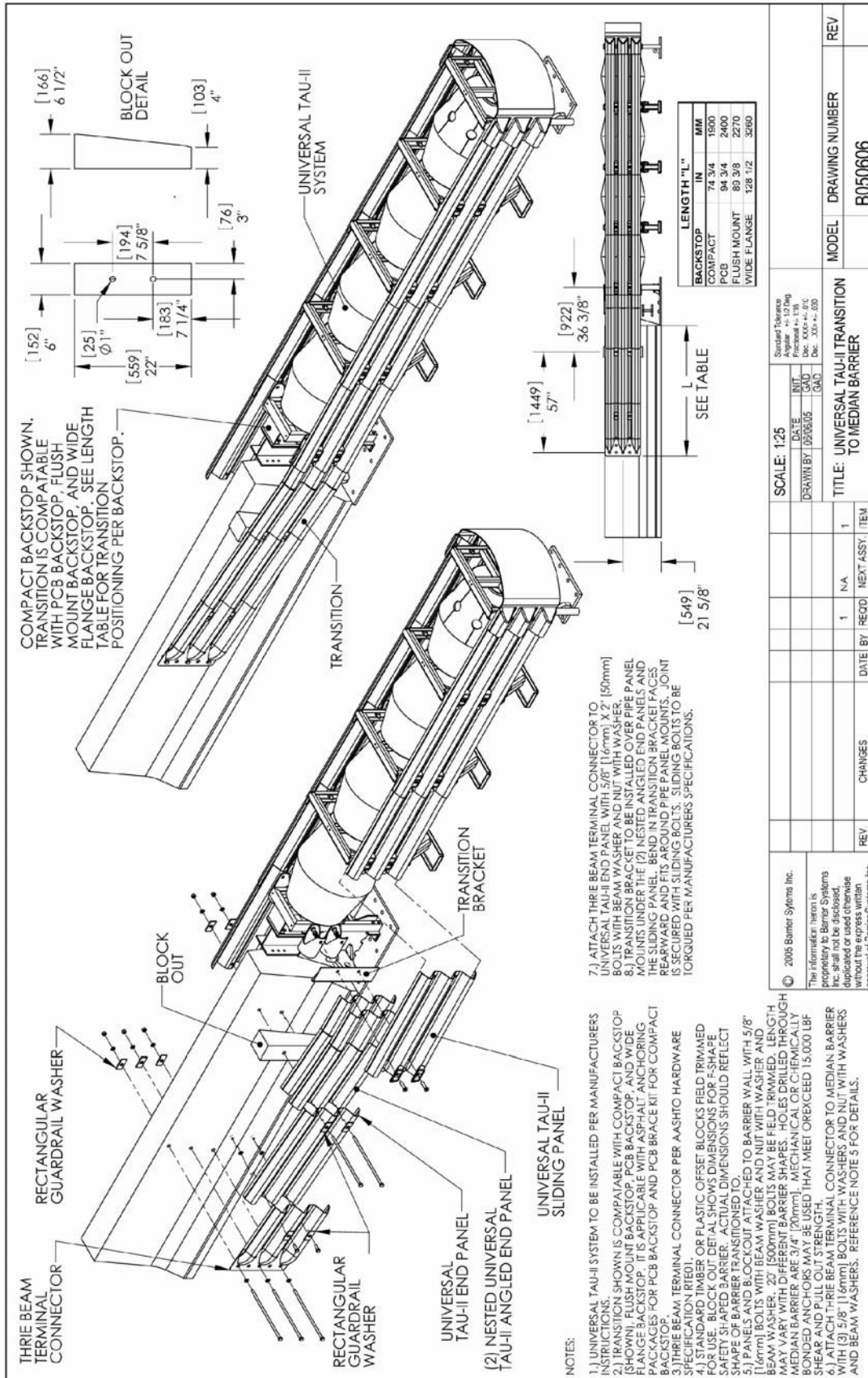












7.) ATTACH THREE BEAM TERMINAL CONNECTOR TO UNIVERSAL TAU-II END PANEL WITH 5/8" (1.6mm) X 2' (50mm) BOLTS WITH BEAM WASHER AND NUT WITH WASHER.  
 8.) TRANSITION BRACKET TO BE INSTALLED OVER PIPE PANEL MOUNTS UNDER THE (2) NESTED ANGLED END PANELS AND THE SLIDING PANEL. BEND IN TRANSITION BRACKET FACES REARWARD AND FITS AROUND PIPE PANEL MOUNTS. JOINT IS SECURED WITH SLIDING BOLTS. SLIDING BOLTS TO BE TORQUED PER MANUFACTURER'S SPECIFICATIONS.

NOTES:  
 1.) UNIVERSAL TAU-II SYSTEM TO BE INSTALLED PER MANUFACTURERS INSTRUCTIONS.  
 2.) TRANSITION SHOWN IS COMPATIBLE WITH COMPACT BACKSTOP (SHOWN), FLUSH MOUNT BACKSTOP, PCB BACKSTOP, AND WIDE FLANGE BACKSTOP. IT IS APPLICABLE WITH ASPHALT ANCHORING PACKAGES FOR PCB BACKSTOP AND PCB BRACE KIT FOR COMPACT BACKSTOP.  
 3.) THREE BEAM TERMINAL CONNECTOR PER AASHTO HARDWARE SPECIFICATIONS. USE HARDWOOD, TIMBER OR PLASTIC OFFSET BLOCKS FIELD TRIMMED FOR USE. BLOCK OUT DETAIL SHOWS DIMENSIONS FOR SQUARE SAFETY SHAPED BARRIER. ACTUAL DIMENSIONS SHOULD REFLECT SHAPE OF BARRIER TRANSITION TO.  
 4.) PANELS AND BLOCK OUT ATTACHED TO BARRIER WALL WITH 5/8" BEAM WASHER, 20' (500mm) BOLTS MAY BE FIELD TRIMMED. LENGTH MAY VARY WITH DIFFERENT BARRIER SHAPES. HOLES DRILLED THROUGH MEDIAN BARRIER ARE 3/4" (20mm). MECHANICAL OR CHEMICALLY BONDED ANCHORS MAY BE USED THAT MEET OVERSPEED 15,000 LBF SHEAR AND PULL OUT STRENGTH.  
 5.) THREE BEAM TERMINAL CONNECTOR TO MEDIAN BARRIER WITH (3) 5/8" (1.6mm) BOLTS WITH WASHERS AND NUT WITH WASHERS AND BEAM WASHERS. REFERENCE NOTE 5 FOR DETAILS.

SCALE: 1:25

DATE: 05/05/05  
 DRAWN BY: D506015

DATE: 04/01/05  
 CHECKED BY: C-006-2-00

STARTED/REVISED  
 AUGUST 11, 2000

PROCESSED BY: 119

NO. 306-2-00

DEC. 00-2-00

© 2005 Banner Systems Inc.

The information herein is proprietary to Banner Systems Inc. and shall not be disclosed, duplicated or used otherwise without the express written approval of Banner Systems Inc.

REV: 1

DATE BY: 05/05/05

RECD: NA

ITEM: 1

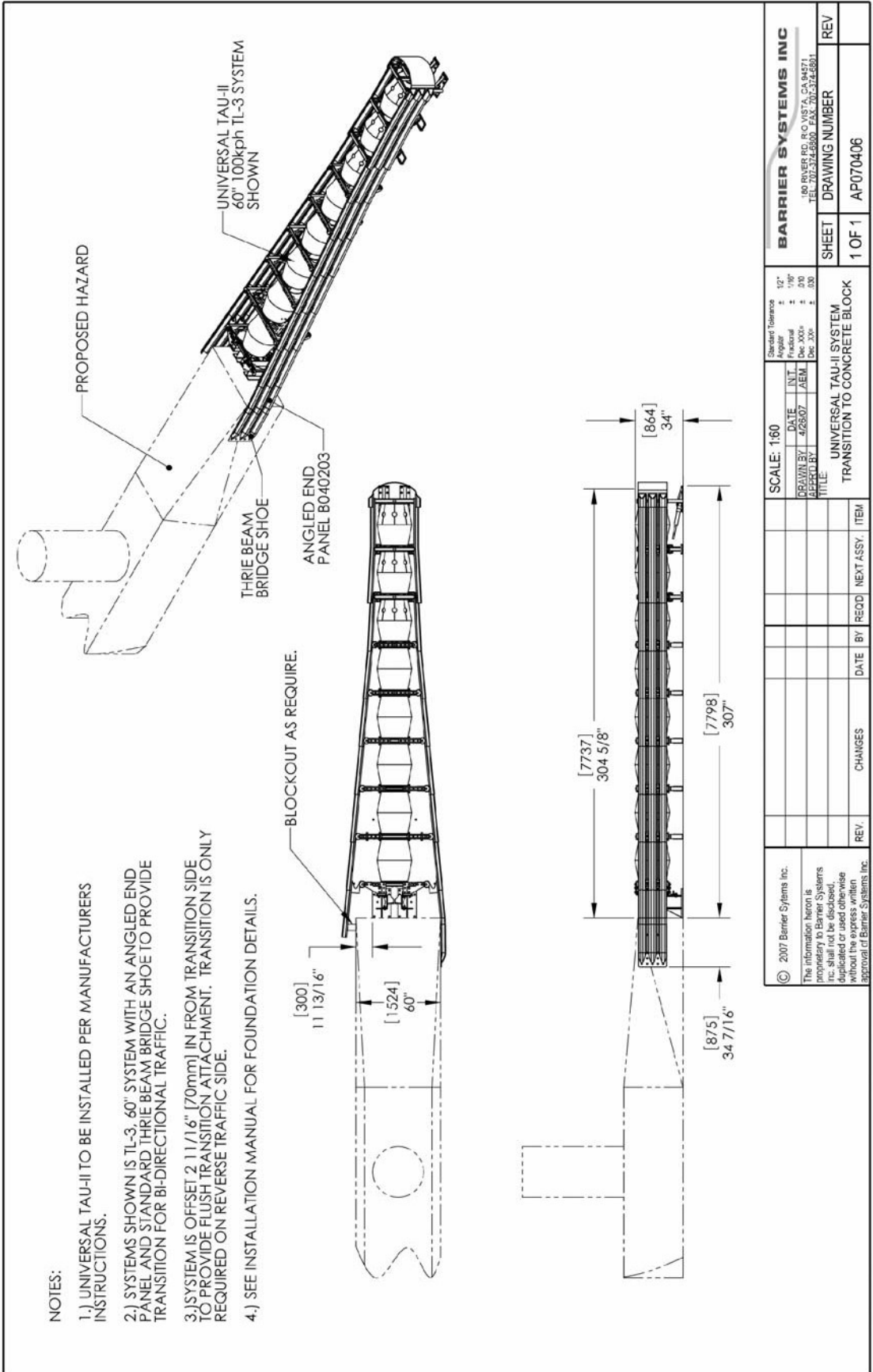
CHANGES:

TITLE: UNIVERSAL TAU-II TRANSITION TO MEDIAN BARRIER

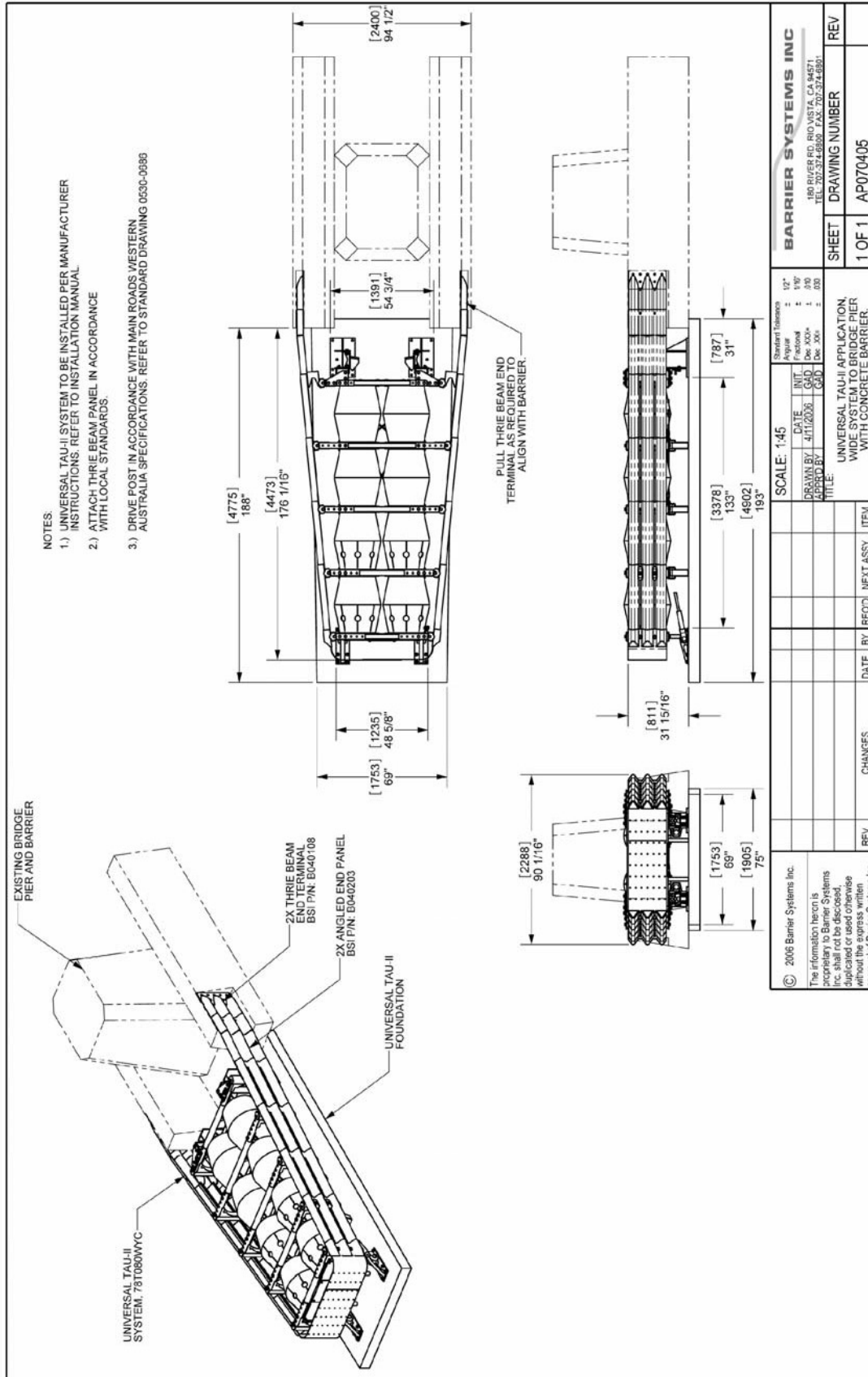
MODEL DRAWING NUMBER: B050606

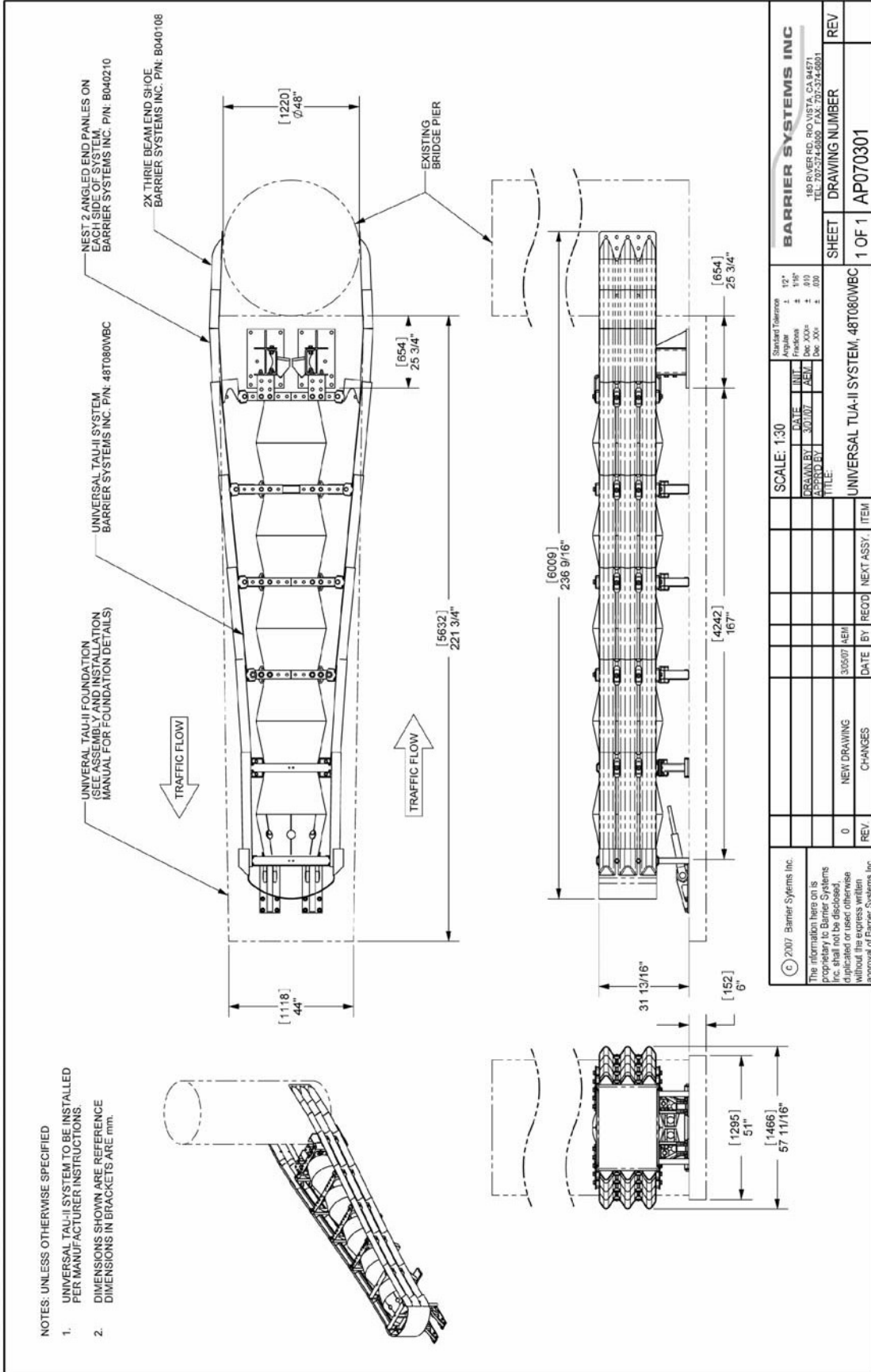
REV:





SCALE: 1:60 DRAWN BY: [42807] AEM DATE: [ ] INT. [ ] APPR. BY: [ ]		Standard Tolerance All Dimensions ± 1/32" Fractional ± 1/16" Decimals ± 0.00" Decimals ± 0.00"	BARRIER SYSTEMS INC 180 RIVER RD. R.O. VISTA, CA 94571 TEL: 707-374-6800 FAX: 707-374-6801
REV. [ ] CHANGES [ ] DATE [ ] BY [ ] RECD. [ ] NEXT ASSY. [ ] ITEM [ ]	SHEET 1 OF 1 DRAWING NUMBER AP070406 UNIVERSAL TAU-II SYSTEM TRANSITION TO CONCRETE BLOCK		





## Universal TAU-II® Attachment to BarrierGuard 800™ Installation Guide

Refer to the Universal TAU-II Installation and Maintenance Manual for more information, introduction, system overview, required tools, and other considerations for the Universal TAU-II systems.

The Universal TAU-II system is installed after the BarrierGuard 800 is fully deployed, installed, and anchored. Reference the BarrierGuard 800 Design, Installation, and Maintenance Manual for complete information on the BarrierGuard 800 barrier system implementation and installation.

The Universal TAU-II system utilizes a monolithic backstop that bolts directly in place of the terminal cover of the BarrierGuard 800. The front cable anchor remains as the only foundation anchorage required for the Universal TAU-II system. The front cable anchor is to be anchored to the same foundation type as the end of the BarrierGuard 800 that it is attached to (PC Concrete or Asphaltic Concrete). Anchorage shall be in accordance with BSI specifications A040113.

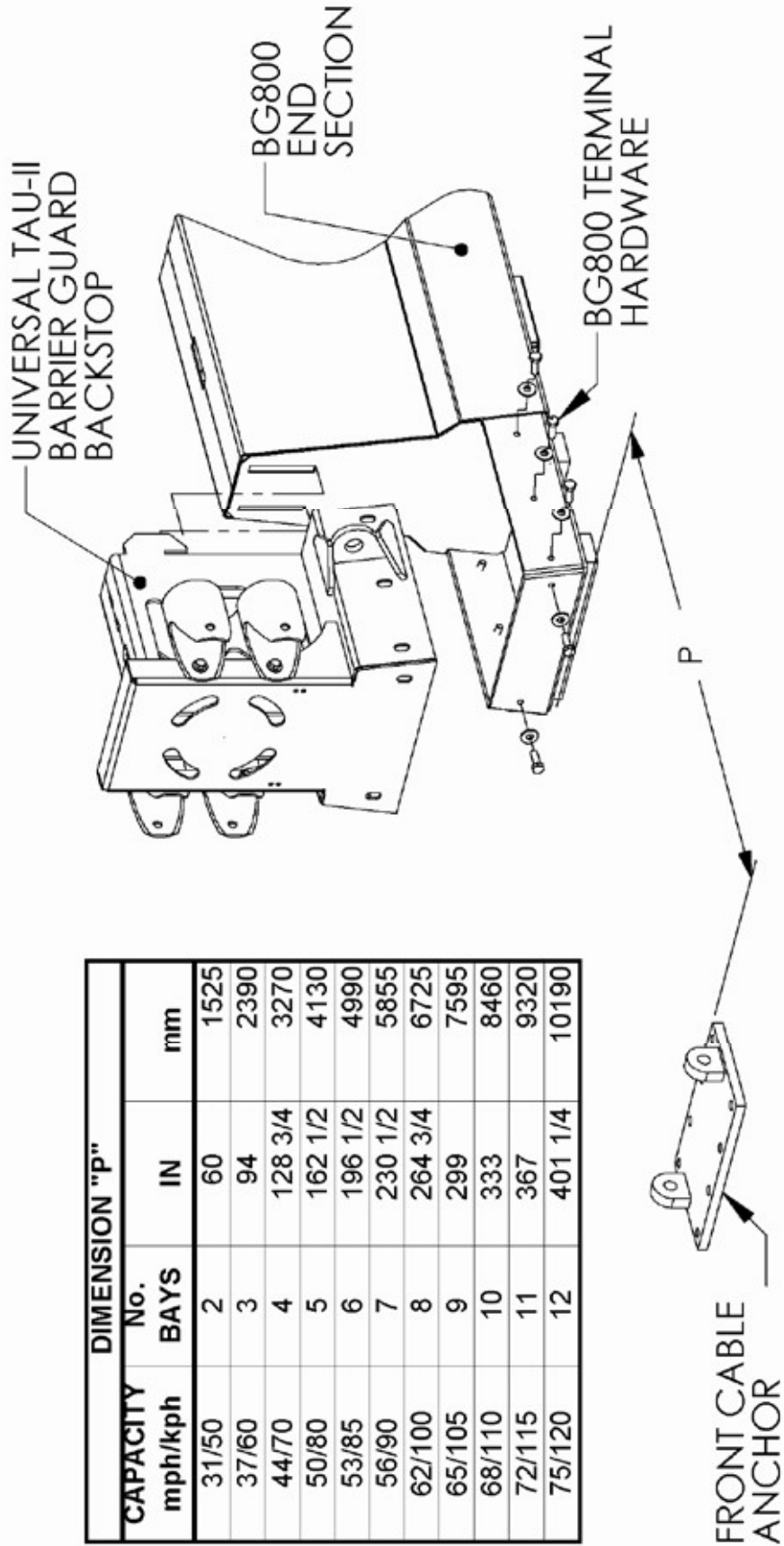
**Installation Procedure:** *Each Procedure references a page number from the Universal TAU-II Installation Manual for further information –*

- 1.) Remove terminal cover from BarrierGuard 800 end section (if in place).
- 2.) Install and fasten Universal TAU-II BarrierGuard 800 Backstop in place. **(See diagram on next page).**
- 3.) Locate and position Front Cable anchor (see below). Drill and secure the appropriate anchors for the foundation used per BSI specification A040113. Use the Front Cable anchor as the drilling template. Use a BSI approved anchoring compound. See pages 12 & 13.
- 4.) Place the Middle Bulkheads along the centerline of the system spaced approximately 34" [865mm] apart. See page 13.
- 5.) Thread the guide Cables through the legs of the

Middle Bulkheads, threaded end first, starting from the front of the system. Loosely place the threaded end into the backstop lugs and spin the nut on to hold it in place. See pages 13 & 14.

- 6.) Pin the guide Cables to the Front Cable Anchor with the shackles. See page 14.
- 7.) Install Cable Guides. See pages 14 & 15.
- 8.) Attach Pipe Panel Mounts. See page 15.
- 9.) Install the End Panels and first Slider Panels starting at the Pipe Panel Mounts. If a transition is to be installed the End Panel will be replaced by the Angled End Panel. See page 16 & 72.
- 10.) Install Slider Panels. Start from the back of the system and move forward, overlapping the rearward panel. Secure the panels in place with the Slider Bolts. See pages 16 & 17.
- 11.) Install the Front Support, attach the Slider Panels, Nose Cover, and Leg Supports and connect to the first Middle Support with Slider Bolts. See page 18.
- 12.) Torque Slider Bolts and Front Panel Bolts and install Energy Absorbing Cartridges. See page 19.
- 13.) Apply tension to cables – Torque to specification. Ensure foundation anchors are properly cured. See page 20.

**(See Installation Diagram on Next Page)**



DIMENSION "P"					
CAPACITY	No.	IN			mm
mph/kph	BAYS				
31/50	2	60			1525
37/60	3	94			2390
44/70	4	128	3/4		3270
50/80	5	162	1/2		4130
53/85	6	196	1/2		4990
56/90	7	230	1/2		5855
62/100	8	264	3/4		6725
65/105	9	299			7595
68/110	10	333			8460
72/115	11	367			9320
75/120	12	401	1/4		10190

## Notes





Lindsay Transportation Solutions Sales and Services, Inc

180 River Road • Rio Vista, CA 94571 • +1 707.374.6800 U.S. Toll Free: 888.800.3691 • [www.barrriersystemsinc.com](http://www.barrriersystemsinc.com)

Installation manual details for the TAU-II System are subject to change without notice to reflect improvements and upgrades.

Additional information is available from Barrier Systems Sales and Service © Lindsay Transportation Solutions

TAU-II® INSTALLATION 05212014 v34