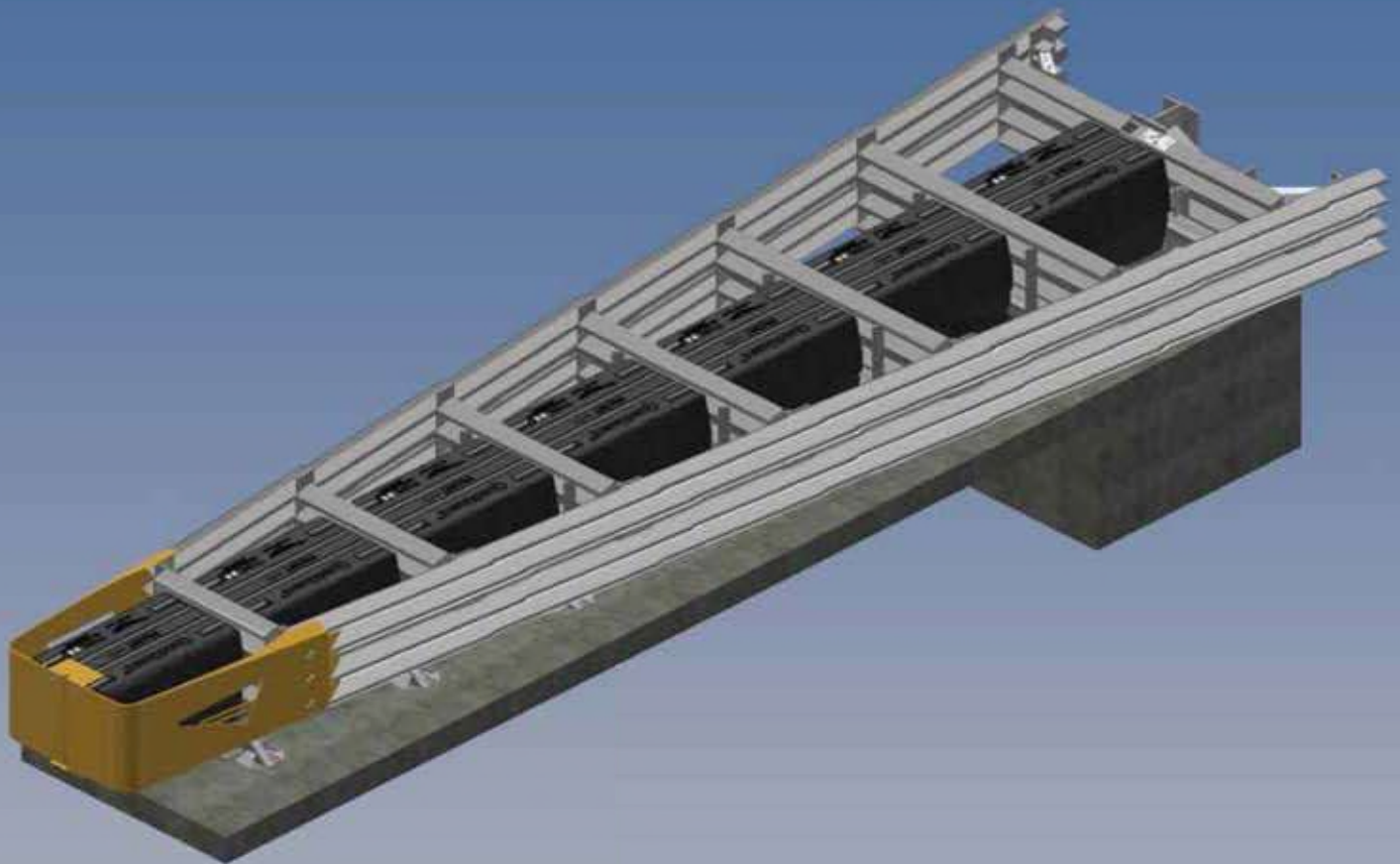


QuadGuard[®] M Wide

Product Description Assembly Manual



TRINITY
HIGHWAY
Ahead of the Curve[®]

QuadGuard[®] M Wide

The QuadGuard[®] M Wide has been tested pursuant to American Association of State Highway and Transportation Officials (“AASHTO”) Manual for Assessing Safety Hardware (“MASH”) specifications. The QuadGuard[®] M Wide has been deemed eligible for federal-aid reimbursement on the National Highway System by the Federal Highway Administration (“FHWA”).

Product Description Assembly Manual



2525 N. Stemmons Freeway
Dallas, Texas 75207



Warning: The local distributors, owners, contractors, lessors, and lessees are **RESPONSIBLE** for the assembly, maintenance, and repair of the QuadGuard[®] M Wide. Failure to fulfill these **RESPONSIBILITIES** with respect to the assembly, maintenance, and repair of the QuadGuard[®] M Wide could result in serious injury or death.



Important: These instructions are for standard assembly specified by the appropriate highway authority. In the event the specified system assembly, maintenance, or repair would require a deviation from standard assembly parameters, contact a Ingal Civil Products representative. This system has been deemed eligible by the FHWA for use on the national highway system under strict criteria utilized by that agency.

This manual must be available to the worker overseeing and/or assembling the product at all times. For additional copies, contact Ingal Civil Products directly at 1300 446 425 or visit ingalcivil.com.au

The instructions contained in this manual supersede all previous information and manuals. The information, illustrations, and specifications in this manual are based on the latest QuadGuard[®] M Wide information available to Ingal Civil Products at the time of printing. We reserve the right to make changes at any time. Please contact Ingal Civil Products to confirm that you are referring to the most current instructions.

Table of Contents

Customer Service Contacts	3
Important Introductory Notes	3
Safety Symbols	4
Safety Rules for Assembly	4
Limitations and Warnings.....	5
System Overview	6
Inspect Shipping.....	6
System Components.....	7
Determine Transition Type.....	12
Recommended Tools.....	13
Site Preparation/Foundation	15
Foundation/Anchoring.....	16
Trinity Highway Approved Adhesive Anchoring System	17
Vertical Anchors.....	17
Anchor Assembly Cautions	18
Horizontal Anchors.....	19
System Assembly	22
QuadGuard® M Wide Final Inspection Checklist.....	36
Maintenance and Repair.....	37
Inspection Frequency.....	37
Visual Drive-By Inspection	37
Walk-Up Inspection Checklist	37
Post-Impact Instructions.....	38
Parts Ordering Procedure & Drawings.....	40
QuadGuard® M Wide Tension Strut Backup	42
Concrete Pad	43
Tension Strut Backup	44
Monorail Assembly	45
Diaphragm Assembly	46
Shim Kit	49
Fender Panel Assembly	50
Nose Assembly	51
Transition to Safety Shape Barrier	52
Transition to Single Slope	53
Transition to Vertical Barrier	54

Customer Service Contacts

Trinity Highway is committed to the highest level of customer service. Feedback regarding the QuadGuard® M Wide, its assembly procedures, supporting documentation, and performance is always welcome. Additional information can be obtained from the contact information below:

Ingal Civil Products

Telephone	1300 446 425
Contact Link	ingalcivil.com.au/contact-us

Important Introductory Notes

Proper assembly of the QuadGuard® M Wide is critical to achieve performance that has been evaluated and deemed eligible by the FHWA per AASHTO MASH criteria. These instructions should be read in their entirety and understood before assembling the QuadGuard® M Wide. These instructions are to be used in conjunction with the assembly of QuadGuard® M Wide and are for standard assemblies only as specified by the applicable highway authority. If you need additional information, or have questions about the QuadGuard® M Wide, please contact the highway authority that has planned and specified this assembly and, if needed, contact Trinity Highway's Customer Service Department. This product must be assembled in the location specified by the appropriate highway authority. If there are deviations, alterations, or departures from the assembly protocol specified in this manual, the device may not perform as tested.



Important: DO NOT use any component part that has not been specifically specified herein for the QuadGuard® M Wide during the assembly or repair of this system (pp. 7 – 11 / 40 - 41).

This product has been specified for use and has been provided to that user who has unique knowledge of how this system is to be assembled. No person should be permitted to assist in the assembly, maintenance, or repair of this system that does not possess the unique knowledge described herein. These instructions are intended for an individual qualified to both read and accurately interpret them as written. These instructions are intended only for an individual experienced and skilled in the assembly of highway products.

A Manufacturer's Drawing Package will be supplied by Ingal Civil Products upon request. Each system will be supplied with a specific drawing package unique to that system. Such drawings take precedence over information in this manual and shall be studied thoroughly by a qualified individual who is skilled in interpreting them before the start of any product assembly.

Safety Symbols

This section describes the safety symbols that appear in this QuadGuard® M Wide manual. Read the manual for complete safety and assembly information.

Symbol

Meaning



Safety Alert Symbol: Indicates Important, Caution, Warning, or Danger. Failure to read and follow the Important, Caution, Warning, or Danger indicators could result in serious injury or death to workers and/or bystanders.



Warning: Read safety instructions thoroughly and follow the assembly directions and suggested safe practices before assembling, maintaining, or repairing the QuadGuard® M Wide. It is the responsibility of the installer to follow the instructions contained in this manual. Failure to comply with these warnings could result in increased risk of serious injury or death in the event of a vehicle impact.



Important: Please keep up-to-date instructions for later use and reference by anyone involved in the assembly of the product.

Safety Rules for Assembly

*** Important Safety Instructions ***

This manual must be kept in a location where it is readily available to persons who are skilled and experienced in the assembly, maintenance, or repair of the QuadGuard® M Wide. Additional copies of this manual are available from Ingal Civil Products on 1300 446 425 or by visiting <https://www.ingalcivil.com.au/products/road-safety-barriers/crash-cushions/quadguard-m-wide>. Please contact Ingal Civil Products if you have any questions concerning the information in this manual or about the QuadGuard® M Wide.

It is the responsibility of the installer to use appropriate safety precautions when operating power equipment, mixing chemicals, and when moving heavy equipment or QuadGuard® M Wide components. Safety articles including but not necessarily limited to work gloves, eye protection, safety-toe shoes, and back protection should be used.



Warning: It is the responsibility of the installer to use all safety measures incorporating appropriate traffic control devices specified by the highway authority. These measures must be used to protect all personnel while at the assembly, maintenance, or repair site.



Warning: Failure to comply with these warnings could result in increased risk of serious injury or death in the event of a vehicle impact with a system that has not been accepted by the FHWA.



Warning: Use only Trinity Highway parts on the QuadGuard® M Wide for assembly, maintenance, or repair. The use of component parts not specified herein is **strictly prohibited**. The QuadGuard® M Wide assembled with Trinity Highway Parts has been tested, approved, and accepted for state use by the FHWA. A QuadGuard® M Wide Assembly using parts other than those specified herein has not been tested, approved, or accepted for state use by the FHWA. Failure to follow this warning could result in increased risk of serious injury or death in the event of a vehicle impact.

Limitations and Warnings

Pursuant to MASH “Recommended Procedures for the Safety Performance of Highway Safety Features”, Trinity Highway contracts with FHWA approved testing facilities to perform and evaluate crash tests to prepare a crash test results report. Trinity Highway is then able to submit a Request for Federal Aid Reimbursement of Safety Hardware Devices to the FHWA for review.

The QuadGuard® M Wide has been deemed eligible by FHWA as meeting the requirements and guidelines of MASH. These tests evaluate product performance defined by AASHTO involving lightweight cars (approx. 1100kg [2420 lb.]) and full size pickup trucks (approx. 2270kg [5000 lb.]). A product can be certified for multiple Test Levels. The QuadGuard® M Wide is certified to the Test Level(s) as shown below:

Test Level 3: 100 kph

These AASHTO directed tests are not intended to represent the performance of systems when impacted by every vehicle type or every impact condition existing on the roadway. This system is tested only to the test matrix criteria of MASH as approved by FHWA.

Trinity Highway expressly disclaims any warranty or liability for injury or damage to persons or property resulting from any impact, collision or harmful contact with products, other vehicles, or nearby hazards or objects by any vehicle, object or person, whether or not the products were assembled in consultation with Trinity Highway or by third parties.

The QuadGuard® M Wide is intended to be assembled, delineated, and maintained within specific state and federal guidelines. It is important for the highway authority specifying the use of a highway product to select the most appropriate product configuration for site specifications. The customer should be careful to properly select, assemble, and maintain the product. Careful evaluation of site layout, traffic speed/type, direction, and visibility are some of the elements that require evaluation by the highway authority in the selection of a highway product. For example, curbs could cause an untested effect on an impacting vehicle.

After an impact occurs, the debris from the impact should be removed from the area immediately and the specified highway product should be evaluated and restored to its original specified condition or replaced as the highway authority determines as soon as possible.



Warning: Do not assemble, maintain, or repair the QuadGuard® M Wide until you have read this manual thoroughly and completely understand it. Please contact Trinity Highway if you do not understand these instructions (p. 3).



Warning: It is the responsibility of the installer to ensure that all Danger, Warning, Caution, and Important statements within the QuadGuard® M Wide manual are completely followed. Failure to follow this warning could result in serious injury or death in the event of a collision.

System Overview

The QuadGuard® M Wide is a re-directive, non-gating crash cushion for roadside features of 1753 mm [69"] or less in width with use of approved transitions. It consists of energy-absorbing cartridges surrounded by a framework of Quad-Beam Fender Panels.



Important: Trinity Highway makes no recommendation whether use or reuse of any part of the system is appropriate or acceptable following an impact. It is the sole responsibility of the project engineer to make that determination. It is critical that you inspect this product after assembly is complete to make certain that the instructions provided in this manual have been strictly followed.

The QuadGuard® M Wide utilizes two types of cartridges in a "staged" configuration that are designed and tested to address vehicles as defined by MASH for both lighter cars and heavier, high center-of-gravity vehicles.

Impact Performance

The six (6) Bay QuadGuard® M Wide has successfully passed the requirements stipulated in MASH with both the light car and pickup trucks at speeds of up to 100kph [62 mph] at redirection angles up to 25 degrees.

During head-on impact testing, within MASH criteria, the QuadGuard® M Wide has been shown to telescope rearward to absorb the energy of impact. When impacted from the side, within the applicable MASH criteria, it has been shown to redirect the vehicle back toward its original travel path and away from the highway feature.



Warning: It is the sole responsibility of the project engineer to ensure that the QuadGuard® M Wide and delineation used meet all federal, state, specifying agency, and local specifications.



Warning: It is the sole responsibility of the project engineer to ensure that the QuadGuard® M Wide meets all appropriate Manual on Uniform Traffic Control Devices ("MUTCD") and local standards.

Inspect Shipping

Check the received parts against the shipping list supplied with the system before deploying the QuadGuard® M Wide. Make sure all parts have been received (pp. 40 - 41).



Important: The Manufacturer's Drawing Package supplied with the QuadGuard® M Wide must be used with these instructions for proper assembly and should take precedence over these general instructions.

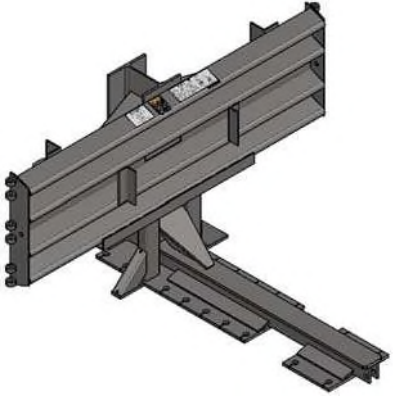
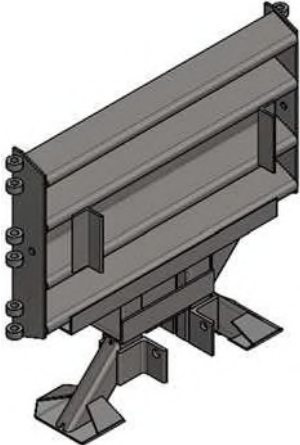
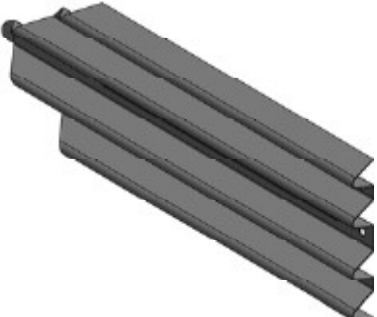


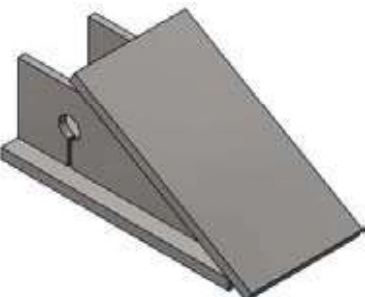






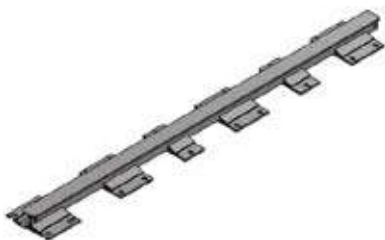
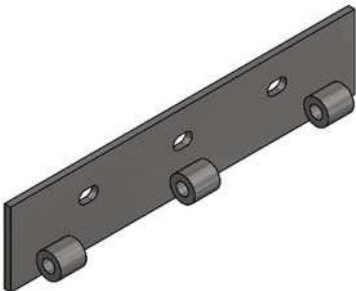
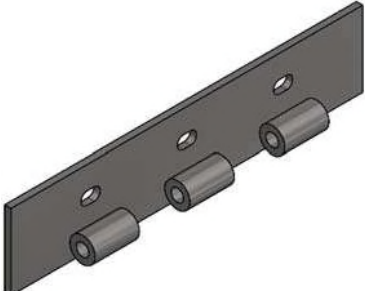

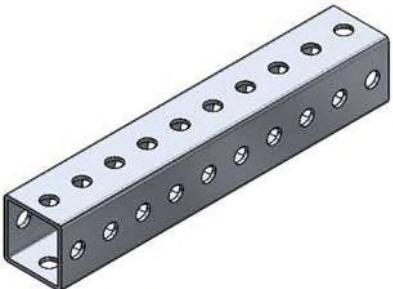
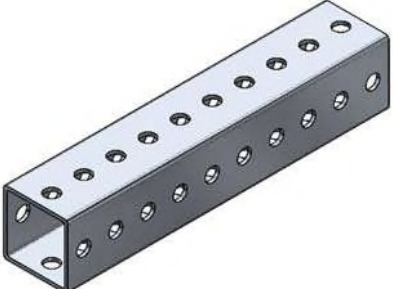




Warning: Do NOT modify the QuadGuard® M Wide in any way.

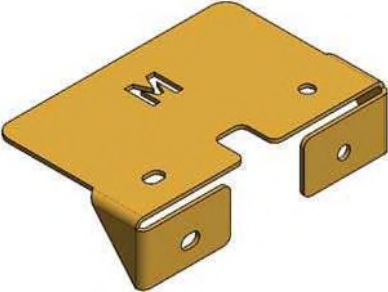
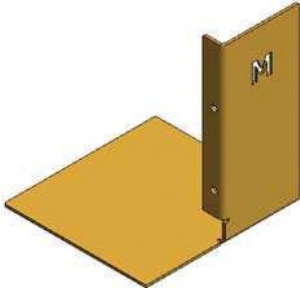
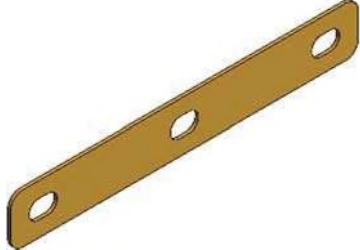
System Components

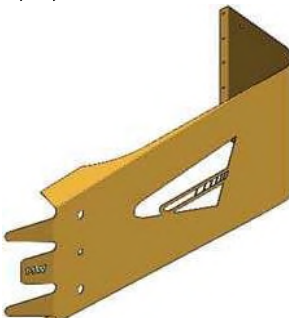
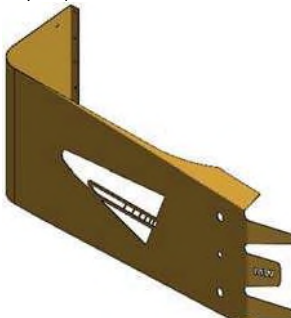
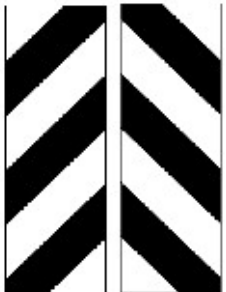
Below is a list of system components that may be used in your particular QuadGuard® M Wide configuration. Verify parts delivered and system details with the BOM (Bill of Materials) and system drawings shipped with your system. Please call Ingal Civil Products if you have any system questions (p. 3).




Note: Components are not shown to scale.



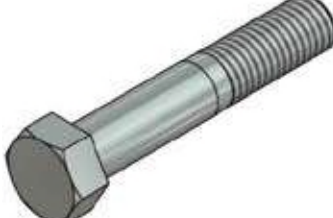
<p>Tension Strut Backup 69"</p>  <p>10102307</p>	<p>Diaphragms 2 - 6</p>  <p>Varies</p>	<p>Diaphragm #1</p>  <p>10102128</p>
<p>Fender Panel</p>  <p>10102002</p>	<p>Side Panel, Wide</p>  <p>10102005</p>	<p>Bracket, Cartridge Support TS B/U</p>  <p>10102406</p>
<p>End Cap, Monorail</p>  <p>10102313</p>	<p>Bracket, Cartridge Support</p>  <p>10102400</p>	<p>Locking Bar, Cartridge Support</p>  <p>10102419</p>

<p>Monorail Guide</p>  <p>10102534</p>	<p>Monorail, 2 Bays, QG, G</p>  <p>10102311</p>	<p>Monorail, 3 Bays, QG, G</p>  <p>10102312</p>
<p>Hinge Plate, Fender Panel</p>  <p>10102417</p>	<p>Hinge Plate, Full Length</p>  <p>10102443</p>	<p>Hinge Pin, Dia, Full Length</p>  <p>10102557</p>
<p>Tel ST 1 3/4X1 3/4X12 GAX10</p>  <p>10102907</p>	<p>Tel ST 2X2X12 GAX10</p>  <p>10102908</p>	<p>Pipe, 3/4 Schedule 80X2 5/16</p>  <p>626819</p>
<p>Shim, 12GAX3 5/8X8</p>  <p>10102906</p>	<p>Bracket, Angle, 2X1, W/Holes</p>  <p>10102209</p>	<p>Bracket, Pull-Out</p>  <p>10102411</p>

<p>Bracket, Cart, Hold Down, MASH</p> 	<p>Bracket, Cart Supt, Nose, MASH</p> 	<p>Washer, Bar, 10GAX2X14</p> 
10102211	10102212	10102210

<p>Nose, L, QG M Wide</p> 	<p>Nose, R, QG M Wide</p> 	
10102214	10102215	<p>Nose Cover LHS Part No. B/W - 10009233</p> <p>Nose Cover RHS Part No. B/W - 10009234</p>

<p>Bolt, Hex, 1/4X3/4, G5</p> 	<p>Bolt, Hex, 1/4X1, G5</p> 	<p>Bolt, Hex, 3/8X1, G5</p> 
10102508	10102556	10103162

<p>Bolt, Hex, 3/8X3 1/2, G5</p> 	<p>Bolt, Hex, 5/8X2, G5</p> 	<p>Bolt, Hex, 5/8X3 1/2, G5</p> 
10102510	10102531	10103420

<p>Bolt, Hex, 5/8X4, G5</p> 	<p>Bolt, Hex, 5/8X5, G8, P, F/T</p> 	<p>Flat Screw 5/8X8 1/2,G8</p> 
10102512	119163	10102521
<p>Bolt, Hex, 3/4X2, G8</p> 	<p>Rail Bolt, 5/8X2</p> 	<p>Stud, M20 x 180mm, GR8.8</p> 
10102509	10102503	10102547
<p>Nut, Hex, 1/4</p> 	<p>Nut, Hex, 3/8</p> 	<p>Rail Nut, Hex, 5/8</p> 
10102515	10102516	10102501
<p>Nut, Hex, 5/8</p> 	<p>Nut, Heavy Hex, 3/4</p> 	<p>Washer, Lock 3/8 G</p> 
10102517	10102504	10102529
<p>Washer, Lock, 5/8</p> 	<p>Washer, Lock, 3/4</p> 	<p>Washer, Flat 3/8X1</p> 
10102530	10102528	10102526

<p>Washer, Fender, 3/8X2</p>  <p>118038</p>	<p>Washer, Flat, 5/8X1 3/4</p>  <p>10102500</p>	<p>Washer, Flat, 3/4X2,Hvy</p>  <p>10102548</p>
<p>Die Spring, 1 1/2 ODX3/4X6</p>  <p>10102522</p>	<p>Mushroom Washer</p>  <p>10102536</p>	<p>Approved Adhesive</p>  <p>10102902</p>
<p>M20 Structural Nut Hex Galv</p>  <p>10102539</p>	<p>Cartridge Assy, Type I</p>  <p>10102903</p>	<p>Cartridge Assy, Type II</p>  <p>10102904</p>

Determine Transition Type

Note: A proper Transition Panel or Side Panel must be used on each side of the Backup. A Side Panel is not needed when a Transition Panel is used. Several types of transitions are available for use with the QuadGuard M Wide (Figures 1 – 6). The correct Panel(s) to use will depend on the direction of traffic and what type of barrier or road feature the QuadGuard® M Wide is shielding. Contact Customer Service prior to deployment if you have any questions (p. 3).



Important: The QuadGuard M Wide is available with transitions to concrete barrier, guardrail, and other roadside features. Contact Customer Service for any transition questions (p. 3).

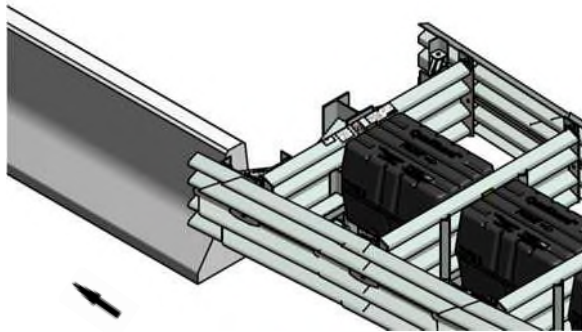


Figure 1
No Transition
(Unidirectional only)

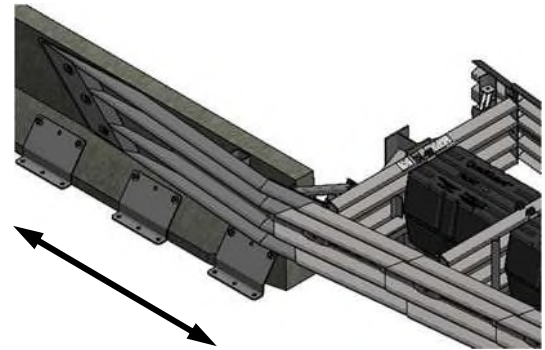


Figure 2
Safety Shape Barrier

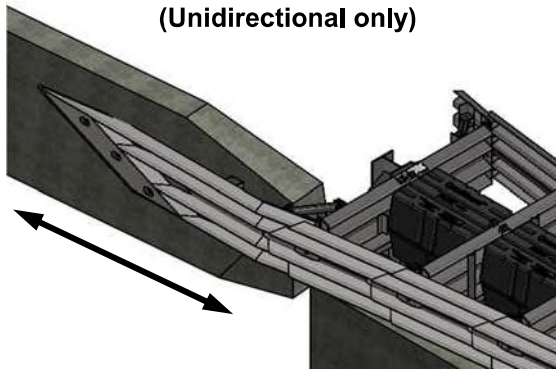


Figure 3
Single Slope Offset

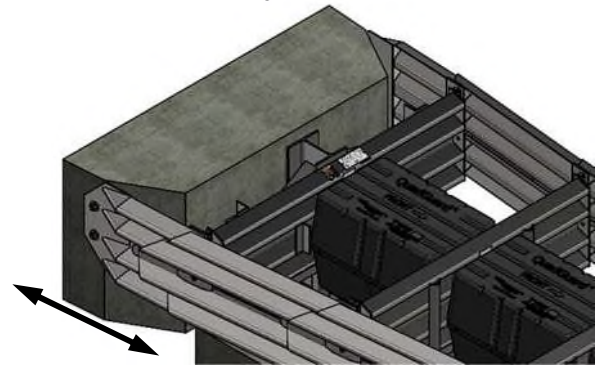


Figure 4
Vertical Barrier

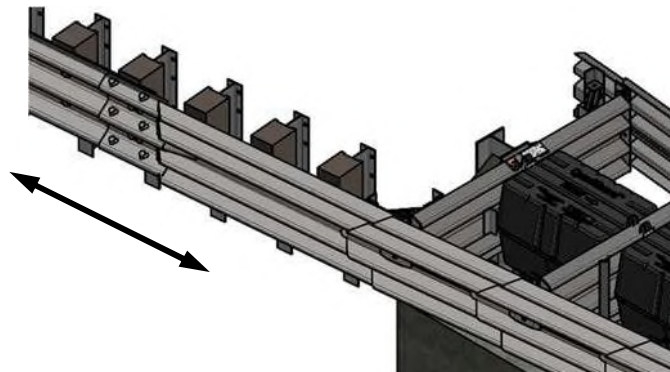


Figure 5
Quad to Thrie-Beam

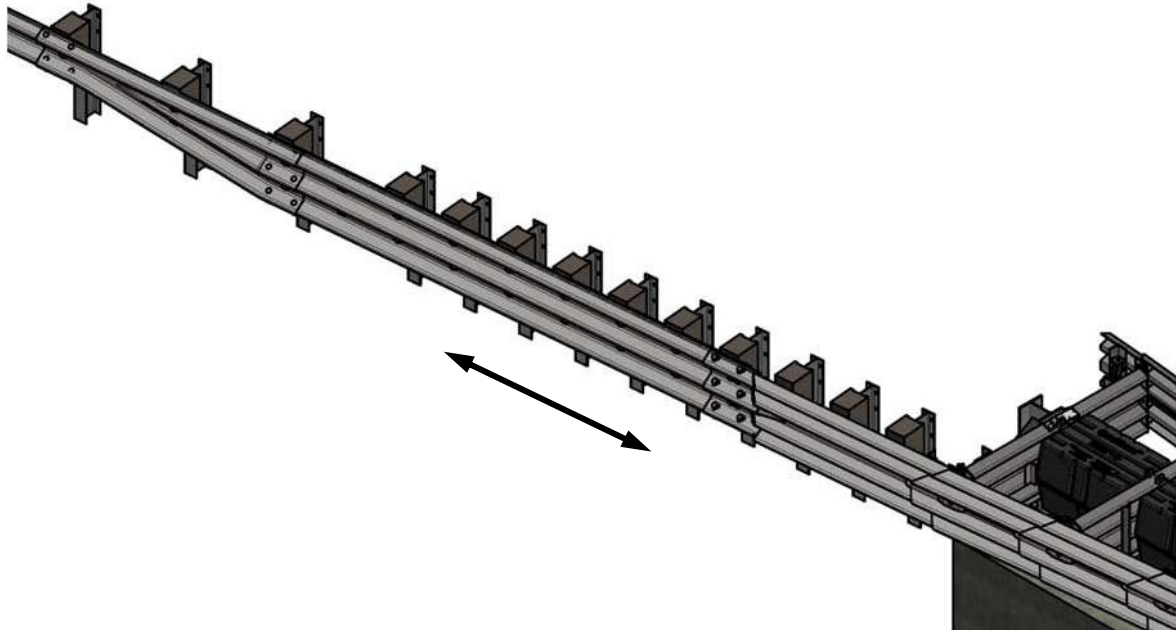


Figure 6
Quad to W-Beam

Recommended Tools

Documentation

- Manufacturer's Assembly Manual
- Manufacturer's Drawing Package

Personal Protective equipment

- Eye Protection
- Gloves
- Safety-toe Shoes
- Protective Clothing
- Reflective Vest

Cutting equipment

- Rotary Hammer Drill
- Rebar cutting bit
- Concrete drill bits – 22 mm (**Double-Fluted**)
- Grinder, Hacksaw or Torch (optional)



Important: Trinity Highway recommends using **double-fluted** drill bits to achieve optimum tensile strength when applying an approved adhesive anchoring system (p. 17).

Hammers

- Sledgehammer
- Standard hammer

Wrenches

- Heavy duty 1/2" drive impact wrench
- 1/2" drive sockets: 7/16", 9/16", 15/16", 1 1/16", 1 1/8", 1 1/4"
- 1/2" drive Deep well sockets: 15/16", 1 1/4"
- 1/2" drive Ratchet and attachments
- 1/2" drive Breaker bar – 24" long
- 1/2" drive Torque wrench: 200 ft-lb
- Combination wrench(s): 7/16", 9/16", 15/16", 1 1/8"
- Hex Key (Allen) wrench: 3/8"



Important: Trinity Highway makes no recommendation whether use or reuse of any part of the system is appropriate or acceptable following an impact. It is the sole responsibility of the project engineer to make that determination. It is critical that you inspect this product after assembly is complete to make certain that the instructions provided in this manual have been strictly followed.

Miscellaneous

- Traffic control equipment
- Lifting and moving equipment (A lifting device is preferred although a forklift can be used.) Minimum 2,500 kg. capacity required.
- Air Compressor (100 psi minimum) and Generator (5 kW)
- Long pry bar
- Drift pin 300 mm
- Center punch
- Tape measure 8 m
- Chalk line
- Concrete marking pencil
- Steel bristled tube brush for cleaning 22mm drilled boreholes
- Rags, water, and solvent for touch-up

Note: The provided list of tools is a general recommendation and should not be considered an extensive list. Depending on specific site conditions and the complexity of the assembly specified, the required tools may vary. Decisions as to what tools are needed to perform the job are entirely the responsibility of the selected contractor performing the assembly of the system at the specified assembly site.

Site Preparation/Foundation

A QuadGuard® M Wide, for permanent applications, should be assembled on an existing or freshly placed and cured concrete base (28 MPa [4000 psi] minimum). Location and orientation of the concrete base and attenuator must comply with project plans or as otherwise determined by the local highway authority.

Recommended dimension and reinforcement specifications for new concrete foundations are provided in Trinity Highway concrete foundation drawings, supplied with the system. The system may also be assembled on reinforced or non-reinforced concrete roadway (minimum 200 mm thick). Deployment cross-slope shall not exceed 8% and should not twist more than 2% over the length of the system; the foundation surface shall have a light broom finish.



Warning: It is the responsibility of the installer to ensure proper site grading for the QuadGuard® M Wide placement as dictated by the state or specifying agency pursuant to the AASHTO Roadside Design Guide.



Caution: Accurate placement of all steel rebar is critical to avoid interference with the concrete anchor bolts.

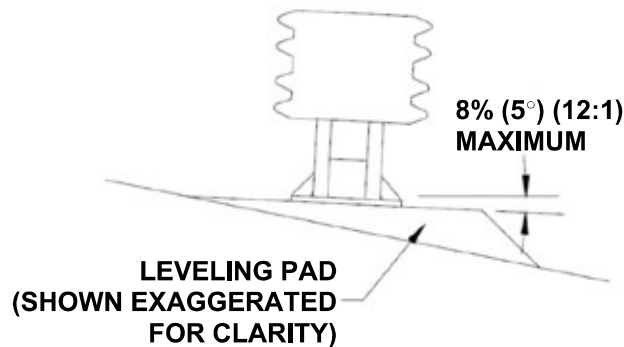


Figure 7
Cross-Slope



Warning: Location of the Backup in relation to nearby objects will affect the operation of the attenuator. Upon impact, the Fender Panels telescope rearward and extend beyond the rigid Backup as much as 762 mm. Position the Backup so that the rear ends of the last Fender Panels are a minimum of 762 mm forward of objects that would otherwise interfere with movement of the rearmost Fender Panels. Failure to comply with this requirement is likely to result in system performance which has not been crash tested pursuant to MASH criteria and may also cause component damage which will necessitate maintenance or replacement of the system.



Important: QuadGuard® M Wide cannot be mounted on asphalt.

Foundation/Anchoring



Important: It is the responsibility of the local DOT to ensure that this assembly conforms to the AASHTO Roadside Design Guide.



Warning: It is the responsibility of the installer to ensure that your assembly procedure meets all appropriate Safe Work Australia, WorkSafe NZ, or state & territory authorities.

Concrete Installations

For concrete installations, the QuadGuard® M Wide should be installed only on an existing or freshly placed and cured concrete base (4000 psi [28 MPa] minimum). Orientation of the concrete base and the attenuator must comply with the project plans or as otherwise determined by the resident project engineer.

Recommended dimension and reinforcement specifications for new concrete pads can be found on the standard drawings.

The QuadGuard® M Wide may be installed on any of the following foundations using the specified anchorage:

Foundation A: Reinforced Concrete Pad or Roadway

Foundation: 152 mm (reinforced) **with Anchor Block** minimum thickness P.C.C.

Anchorage: Approved adhesive with 180 mm studs with 140 mm embedment

Foundation B: Reinforced or Non-Reinforced Concrete Pad or Roadway

Foundation: 203 mm minimum thickness P.C.C.



Important: To prevent sliding during impact, the pad must be placed against or tied to an existing structure. Additional below grade supports may also be necessary as the project engineer directs.

Anchorage: Approved adhesive with 180 mm studs with 140 mm embedment

Trinity Highway Approved Adhesive Anchoring System

A Trinity Highway approved adhesive anchoring system is required to securely anchor crash cushions. Each approved adhesive kit contains adhesive, studs, nuts and washers. Both vertical and horizontal assemblies are possible using an approved adhesive anchoring system.

Vertical Anchors

Note: Read all Trinity Highway approved adhesive instructions before starting.

1) Prepare the Concrete Foundation



Warning: Do not allow anchoring adhesive to contact skin or eyes. See material safety data sheet supplied with adhesive kit for first-aid procedures. Use only in well-ventilated area. Do not use near open flame.



Warning: It is the responsibility of the installer to maintain a safe work area including the use of standard work zone safety equipment & PPE: gloves, safety-toe shoes, and eye / ear protection.

The anchor bolts (studs) that anchor the QuadGuard® M Wide Backup and/or Monorail sections to the concrete foundation must be those shipped in the kit or of high strength steel (120,000 psi [830 MPa] minimum tensile strength or equal). These studs must be set in minimum 4000 psi [28 MPa] concrete. Allow the concrete to cure a minimum of seven days before applying anchoring adhesive.

2) Drill Boreholes



Caution: It is the responsibility of the installer to consult Safe Work Australia, Worksafe NZ, or state & territories for debris removal from borehole(s) and use Trinity Highway approved adhesive to achieve optimum tensile strength. Do not use diamond drill bits for drilling boreholes.

Use the Monorail(s) and Tension Strut Backup as drilling templates. Use a rotary hammer drill to drill the boreholes 22 mm diameter to the recommended depth. See the approved adhesive instructions provided with adhesive kit. Check ensure each borehole is drilled to the proper depth and aligned with the part to be anchored per Anchoring Information table.

Anchoring Information					
Stud Size:	Orientation	Bit Size	Minimum Depth	Torque	Medium
M20 x 180mm	Vertical	22 mm	180mm	Adhesive Manufacturer Spec	Concrete

3) Clean the Boreholes

Blow the concrete dust from the borehole using oil-free compressed air. Thoroughly brush it with a 22mm diameter steel bristle tube brush and then blow it out again. If the borehole is wet, completely flush it with water while brushing and then blow it clean to remove all water using oil-free compressed air.

Note: Use of the Trinity Highway approved vacuum drilling equipment is authorized to replace the blowing and brushing requirement of Step 3.

4) Apply Approved Adhesive

Fill the borehole 100% full.



Caution: Fill borehole 100% full so it is even with the pavement surface per manufacturer's instructions.

5) Add the Washers and Nuts

Place a flat washer onto the stud then thread a nut on until the end of the stud is flush with the nut (Figure 8).

6) Insert Studs in Boreholes and Wait for Adhesive to Cure

Push the stud down through the part to be anchored and into the borehole.



Caution: Do not disturb or load the stud until the approved adhesive material has fully cured (reference instructions supplied with the approved adhesive kit).



Figure 8
Vertical Application
(Before Applied Torque)

7) Torque the Nuts

Once the adhesive has fully cured, torque the nut to the adhesive manufacturer's recommended values.

Anchor Assembly Cautions

1) Steel rebar

If steel rebar is encountered while drilling an anchor bolt borehole, apply one of the following solutions:

A) Use a rebar drill bit for the **rebar only** and then switch back to the concrete bit to finish drilling into the underlying concrete until the proper borehole depth is reached.



Caution: Do not drill through rebar without first obtaining permission to do so from the project engineer.

B) Drill a new borehole down at an angle past the rebar to the proper depth. Anchor the stud by completely filling both boreholes with an approved adhesive.

Horizontal Anchors

The horizontal approved adhesive kit is the same as the vertical kit.



Caution: Fill borehole 100% full so it is even with the vertical concrete surface per manufacturer's instructions.

1) Follow the instructions supplied with your approved adhesive kit

Apply approved adhesive to each anchor per instructions.

2) Add the Washers and Nuts

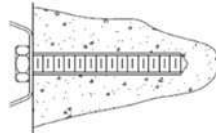
Put washer and nut on stud so the **nut is flush with end of stud.**

3) Insert each Stud with Washer and Nut into Borehole

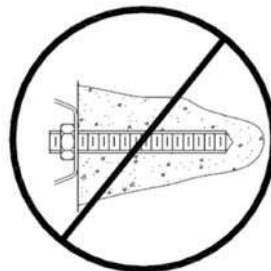
Push stud with washer and nut into borehole.



Important: The stud should be flush with the top of the nut in both **vertical** and **horizontal** applications prior to tightening (Figure 9).



CORRECT



INCORRECT

Figure 9
Horizontal Application
(Before Applied Torque)



Caution: Do not disturb or load the stud until the approved adhesive material has hardened (reference approved adhesive kit instructions for hardening times).

4) Torque the nuts

Once the adhesive has fully cured, torque nut(s) to the approved adhesive manufacturing specification.

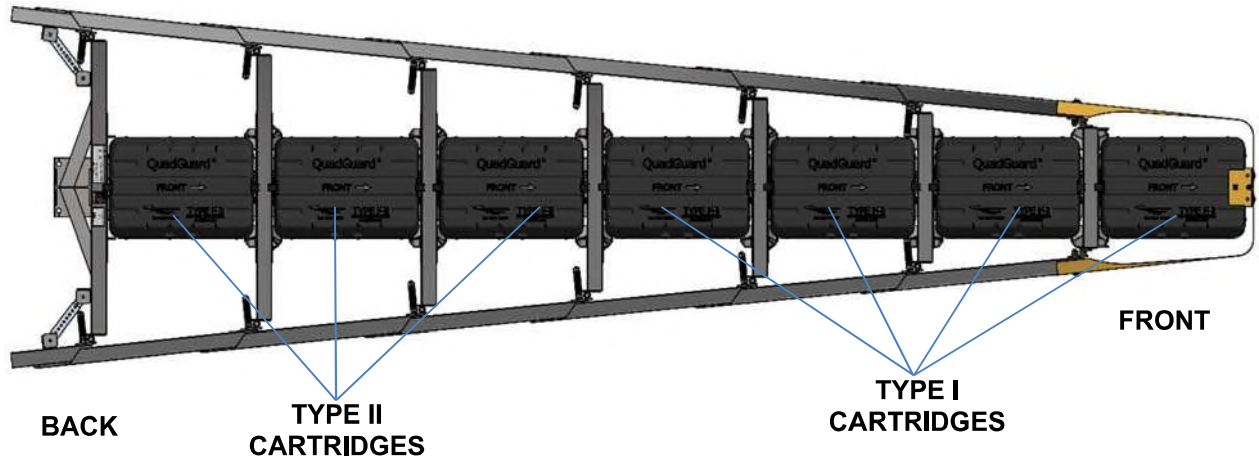


Figure 10 Plan View

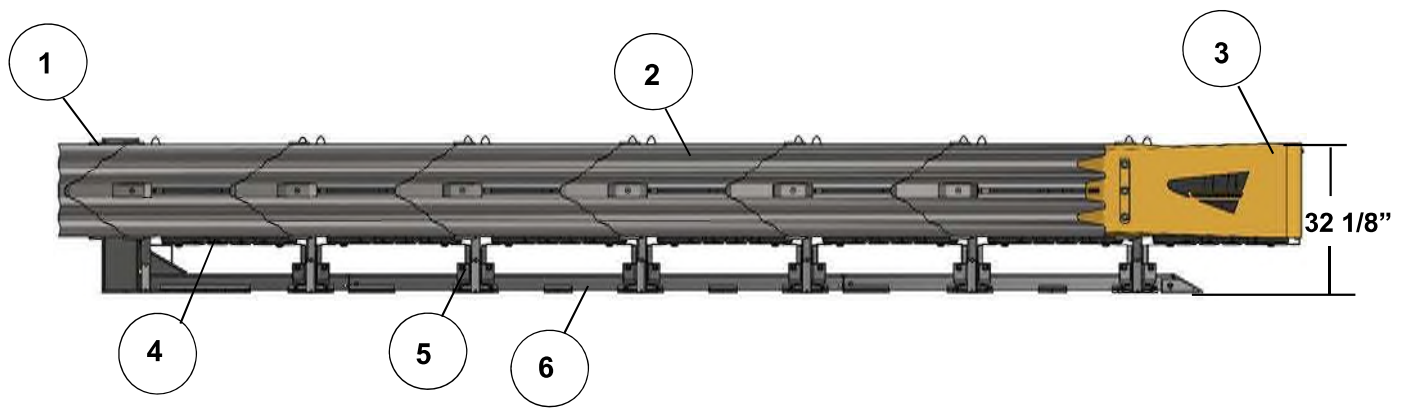


Figure 11 Elevation View
6 Bay TL-3

KEY

- 1) Backup
- 2) Quad-Beam Fender Panel
- 3) Nose
- 4) Cartridge
- 5) Diaphragm
- 6) Monorail

How to Determine Left/Right

To determine left from right when ordering parts, stand in front of the system facing the roadside obstacle. Your left is the system's left and your right is the system's right.

Counting the Number of Bays

One Bay consists of one Cartridge, one Diaphragm, and two Fender Panels. The Nose section is not considered a Bay, though there is a Cartridge in the Nose of each system.

Note: There will always be one more Cartridge in the system than the number of Bays in the system. To determine number of Bays, count Fender Panels on one side (Figure 12).

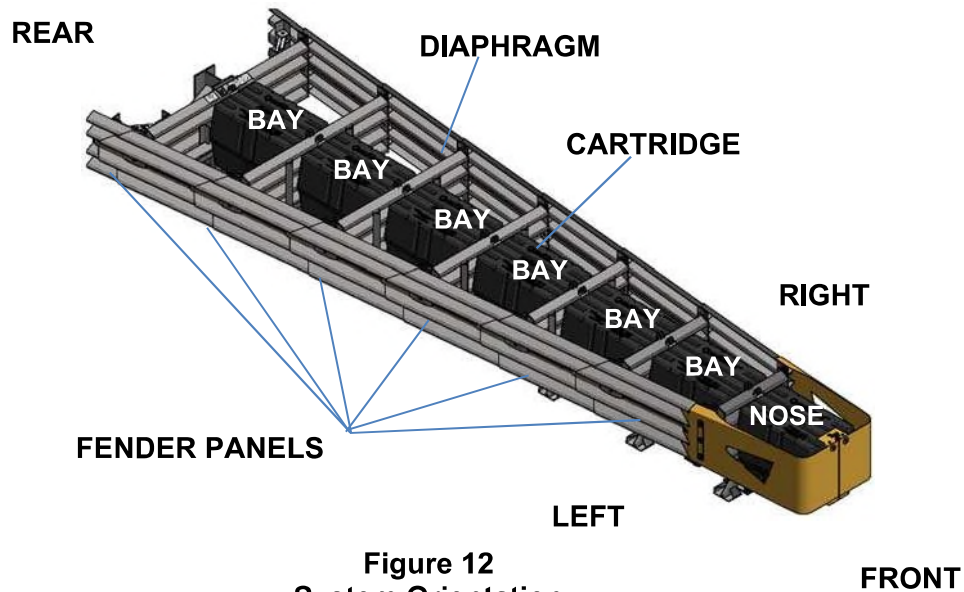


Figure 12
System Orientation

Measuring the Width

The nominal width of a **Wide (flared)** system is the width at the location shown (Figure 13). The outside width of the system is approximately 152 mm wider than the nominal width.

Note: The outside width of the system is not the same as the width of the Backup.

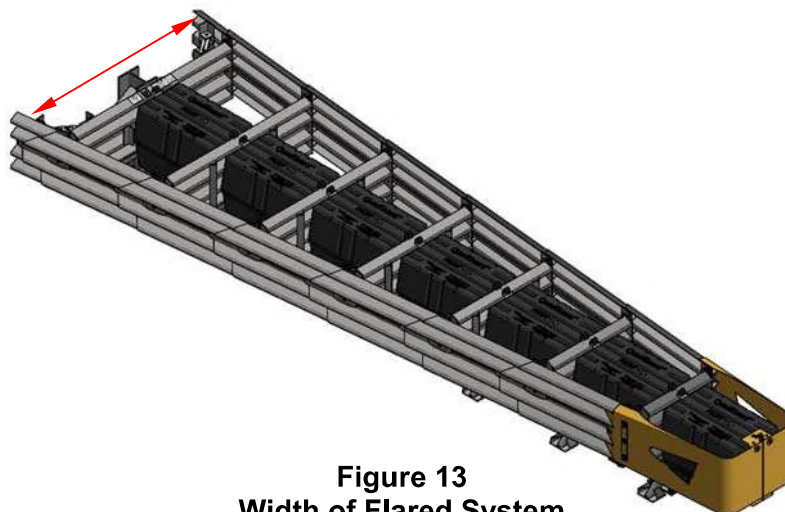


Figure 13
Width of Flared System

System Assembly



Warning: If the QuadGuard system has been supplied pre-assembled, it will have transport bolts with warning tag installed in the monorail. These monorail bolts are used to hold the system together while in transit and therefore are for transportation purposes only. They **MUST** be removed during installation of the QuadGuard system. It is solely the responsibility of the installer to ensure any transport bolts are completely removed. Failure to remove can affect the systems performance and may result in personal injury or death.



Warning: It is the responsibility of the installer to ensure the assembly procedure meets all appropriate Safe Work Australia, WorkSafe NZ, or state & territory authorities.

1) Mark System Location

Locate the centerline of the system by measuring the proper offset from the fixed object. Refer to the Drawing Package supplied with the system. Place chalk line to mark the centerline of the system. Mark a construction line parallel to the center line and offset 165 mm to one side as shown in Figure 14. The edge of the Monorail will be positioned on this line.

Note: The concrete foundation must comply with the Manufacturer's Drawing Package supplied with the system.



Warning: Location of system with respect to the roadside obstacle is critical and dependent on the type of Transition Panel used. Please refer to the Drawing Package supplied with the system for details.

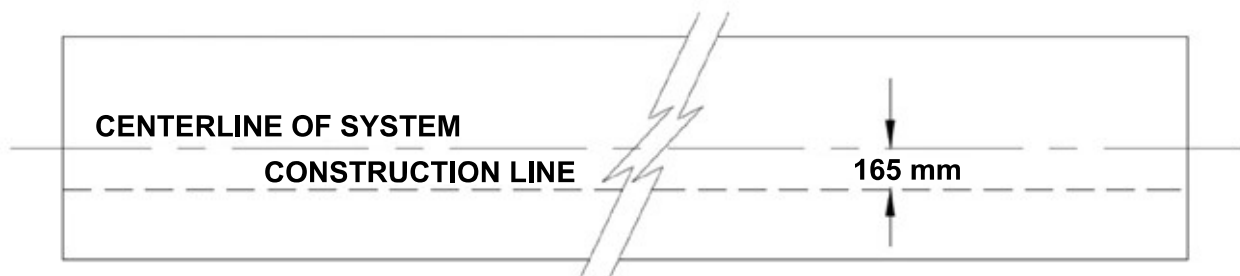


Figure 14
(Top view of concrete foundation)

2) Anchor the Tension Strut Backup (Figure 15)

Place Tension Strut Backup and Monorail on foundation with side of Backup and Monorail on the construction line and rear edge of backup mounting pad 100mm forward of foundation edge (p. 24). **Verify that any applicable Transition Panels fit properly before anchoring Backup.** Drill 22 mm diameter by 145 mm anchor boreholes in foundation using the Backup as template. Anchor the Backup to the concrete foundation using an approved adhesive supplied with the QuadGuard® M Wide.

Note: Verify that any applicable Transition Panels fit properly before anchoring Backup.



Caution: Every hole in the Backup and Monorail must be anchored by a stud using an approved adhesive.

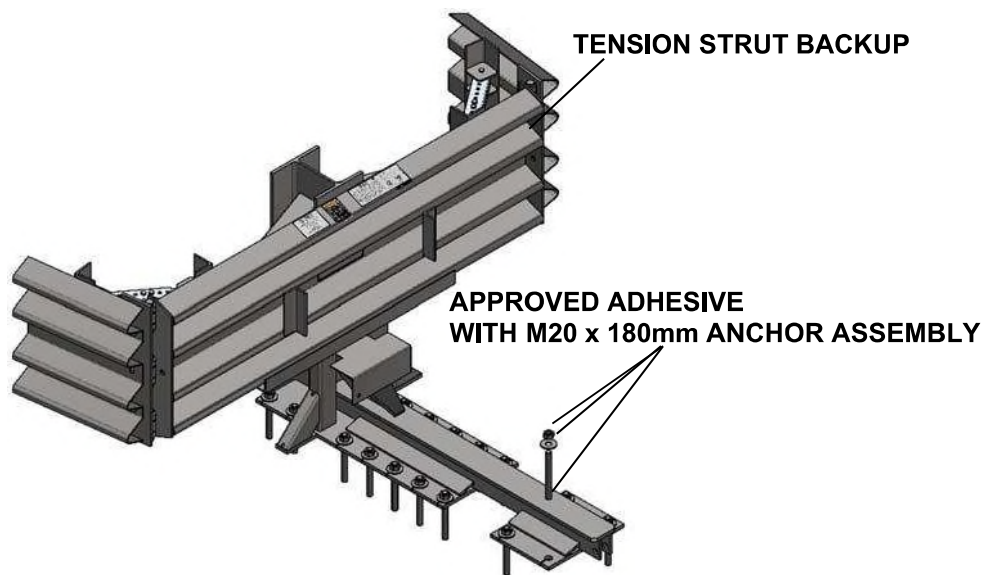


Figure 15
Anchoring Tension Strut Backup to Foundation

3) Anchor the Monorail

Monorail Placement for Tension Strut Backup (Figure 16)

Place Monorail on foundation with side of Monorail on construction line. Orient the Monorail so the Monorail tongue faces the Backup and inserts into the backup monorail.



Warning: Improper alignment at the Monorail splice joints may prevent proper system collapse during an impact (p. 24, Detail A).

It is important to align each segment of Monorail from the back to the front of the system within 6 mm along the length. Anchor each Monorail section using the Trinity Highway approved adhesive kits provided.

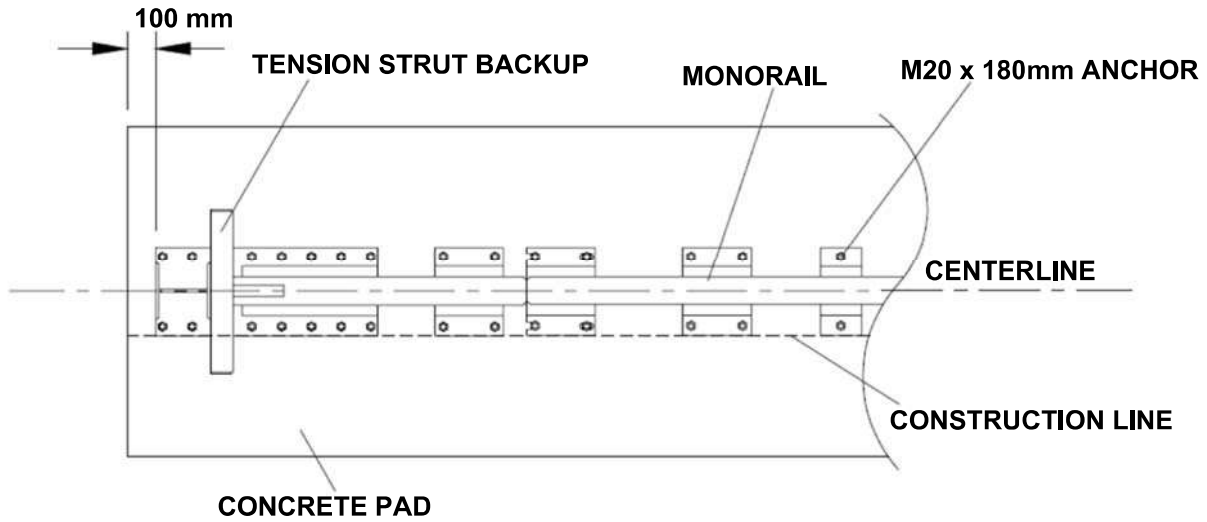


Figure 16
Backup and Monorail Location for Tension Strut Backup

Drill 22 mm diameter by 145 mm boreholes using the Monorail as a template. Do not drill through foundation.

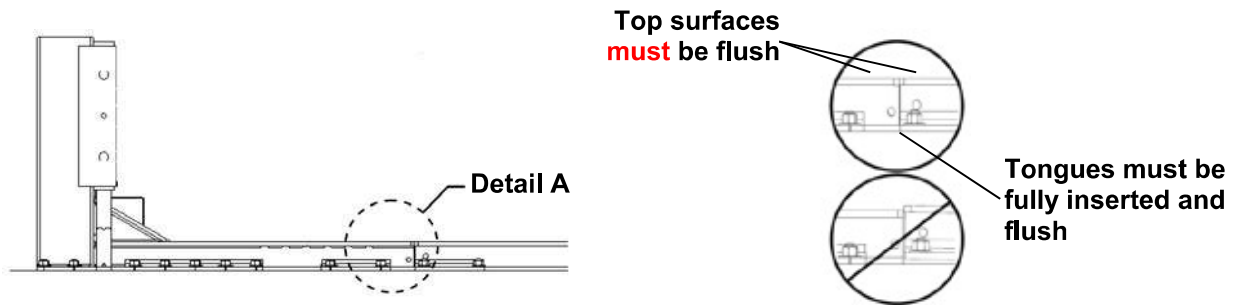


Figure 17
Rail Height and Alignment

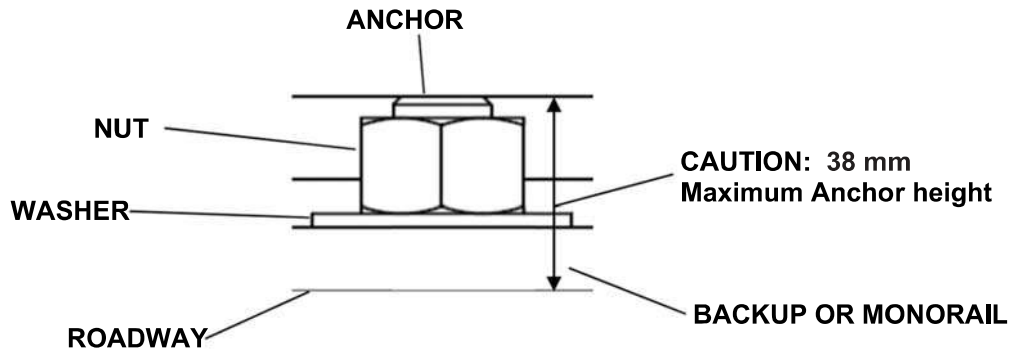


Figure 18
Final Anchor Height
(After Applied Torque)

4) Attach Side Panels and/or Transition Panels to Backup Assembly

- A. Attach Hinge Plates to Backup (three (3) places on each side of Backup) using a 5/8" rail bolt, lock washer, and hex nut.
- B. Attach Transition Panel or Side Panel to Hinge Plate using a 5/8" rail bolt and rail nut (two places - top and bottom holes only). See Backup Assembly drawing(s) below.
- C. Attach diagonal brace to Side Panel or transition and Backup using 3/8" a hex bolt, lock washer, and hex nut (two (2) places per brace and four (4) places per side).
- D. Secure each diagonal brace set in two (2) places with a 3/8" hex bolt, lock washer, and hex nut (Figure 19).

Note: A Side Panel is unnecessary when a Transition Panel is used.

Assembly Tip:

Use a drift pin to align the center hole of the Side Panel with the center hole of the Backup before inserting the Rail Bolts.

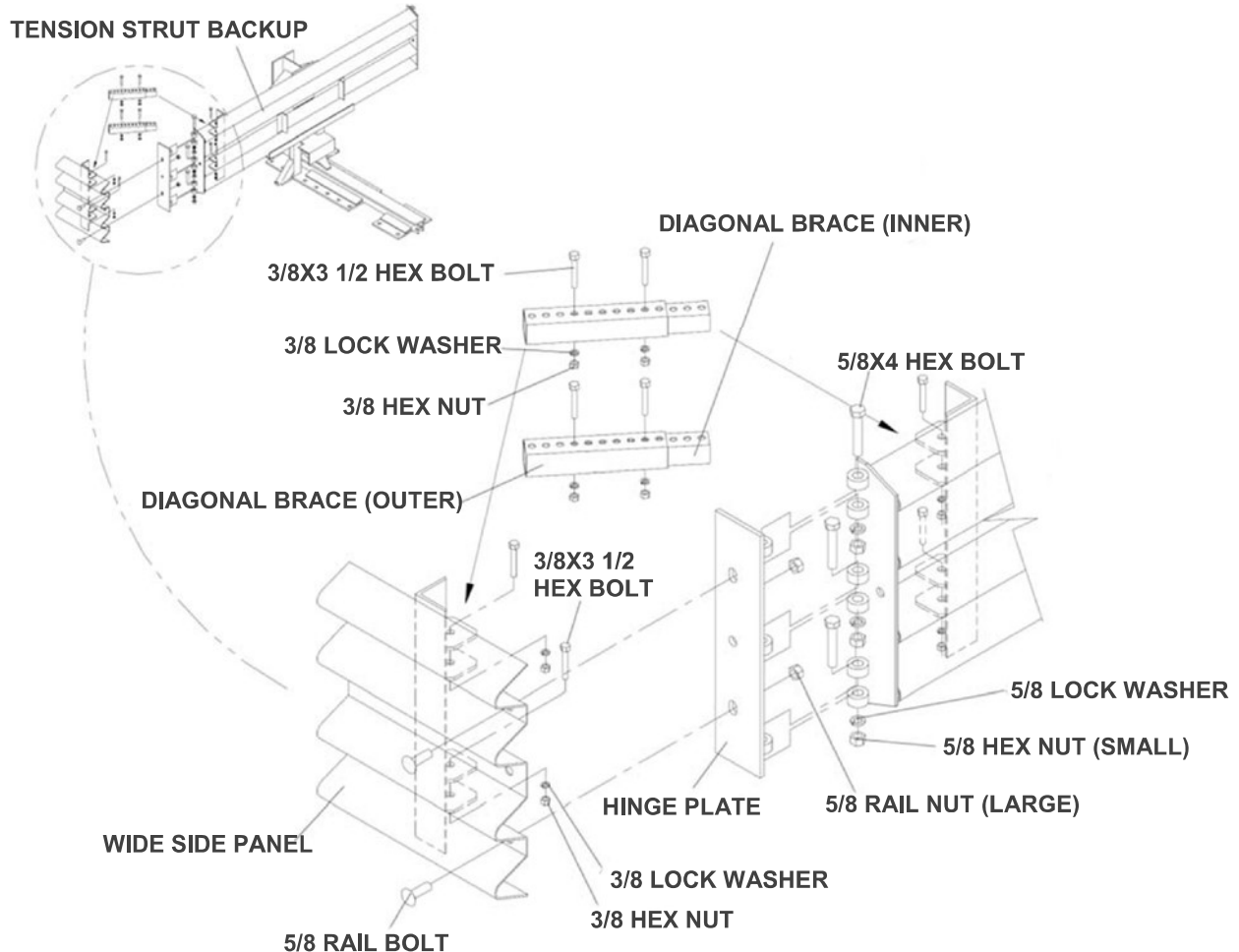


Figure 19
Side Panel/Transition Panel Attachment

5) Attach Monorail Guides

Attach Monorail guides to Diaphragm as follows:

Insert 3/4X2" G8 hex bolt through Monorail guide and Diaphragm with a shim placed between them and oriented as shown in Figure 20. Secure with 3/4" lock washer and 3/4" hex nut (typical 4 places). See the Diaphragm Assembly drawing supplied with the system.

Repeat process for each Diaphragm.

6) Attach Diaphragms

Orient the widest Diaphragm so that the front face of the Diaphragm shape faces toward the Nose of the system as shown in Figure 21. The widest Diaphragm must be attached closest to the Backup with each subsequent Diaphragm being progressively narrower.



Important: Slide the widest Diaphragm all the way to the Backup to ensure the system is able to collapse properly during impact. Once verified, slide the Diaphragm forward to 915 mm in front of the Backup.

Orient and slide all other Diaphragms onto Monorail and position each approximately as shown in Figure 22.

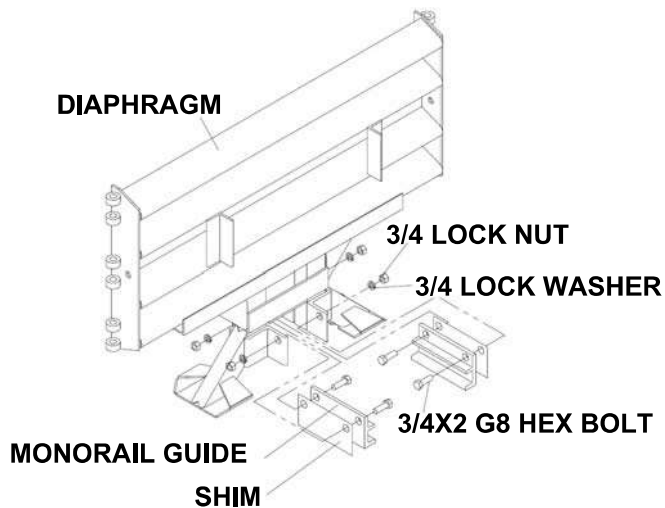


Figure 20
Monorail Guide Attachment

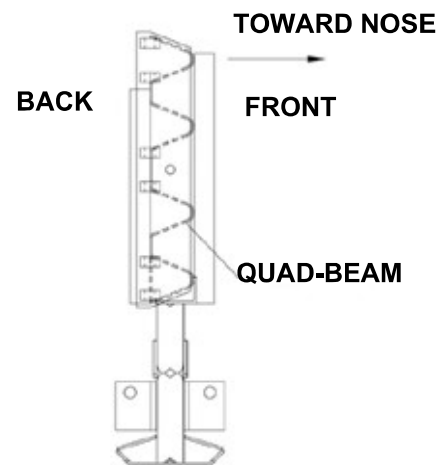


Figure 21
Diaphragm Orientation

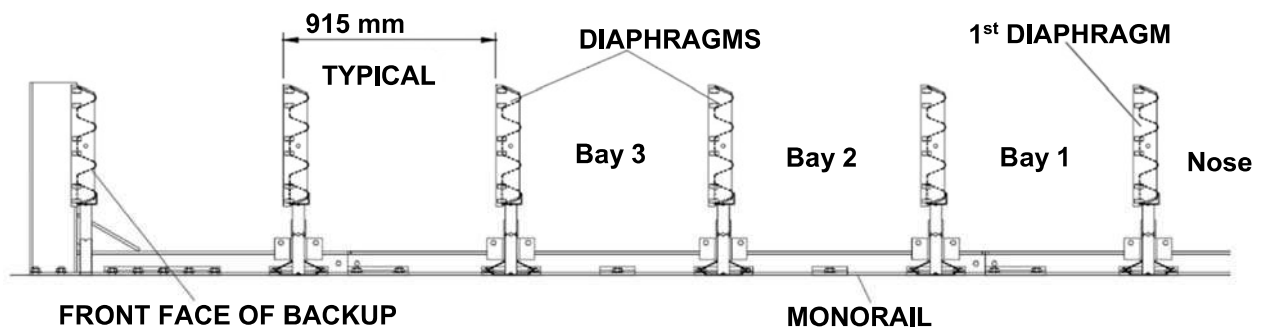


Figure 22
Diaphragm Spacing

7) Attach Hinge Plates to Diaphragm

Attach Hinge Plates to each Diaphragm so the hinge pivot is toward the front of the system. Insert 5/8"X4" hex bolts through all hinges. Secure each bolt with 5/8" lock washer and hex nut (Figure 23). (Typical three places per side on Diaphragms 2-6) Insert Full Length Pin and secure with 1/4X1" bolt and hex nut on 1st Diaphragm (Figure 24). See pages 46 and 47 for additional information.

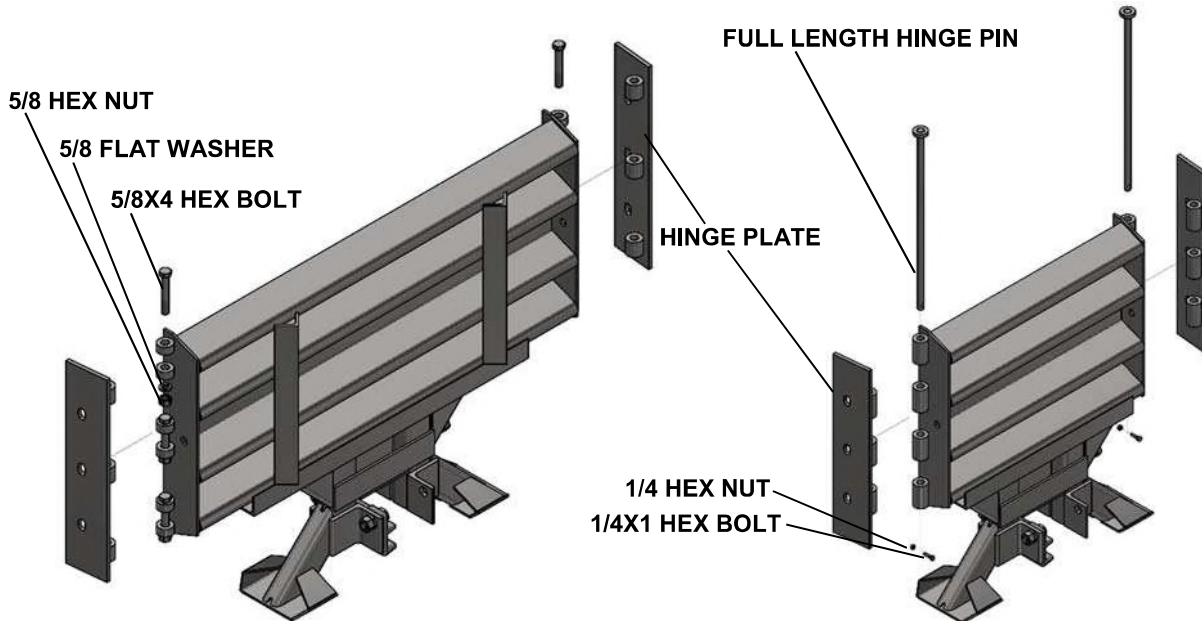


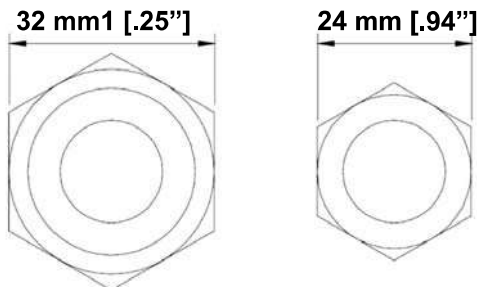
Figure 23 - Hinge Plate Diaphragms 2-6

Figure 24 - Hinge Plate 1st Diaphragm

8) Attach Fender Panels



Important: Do not mix the 5/8" rail nuts (large) with the 5/8" hex nuts (small) (Figure 25).



5/8 RAIL NUT (LARGE) 5/8 HEX NUT (SMALL)

Figure 25
Rail Nuts are Oversize

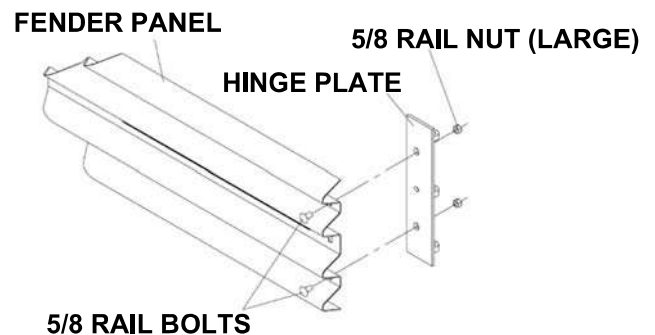


Figure 26 - Hinge Plate to Panel



Important: For proper impact performance, Wide systems must use Hinge Plates.

Note: Starting at the Backup, attach left and right Fender Panels shown below in Step(s) 4 & 5 with each tapered end pointing toward the rear of the system.

Step 1

Place the Fender Panel so that the center of the slot of the backup Hinge Plate is lined up with the approximate center of the slot in the Fender Panel.

Attach Mushroom Washer Assembly as shown in Figure 27, Detail A, and B. Do not tighten fasteners at this time. This first step helps balance the Fender Panel.

Step 2

Slide the Fender Panel forward until the holes in the Fender Panel line up with the holes in the forward Diaphragm Hinge Plate.

Step 3

Use a drift pin to align the center hole of the Fender Panel with the center hole of the Diaphragm Hinge Plate.

Step 4

Attach the front of the Fender Panels to the next Diaphragm Hinge Plate using two (2) rail bolts and large hex nuts per side. Use only the top and bottom holes and leave the center hole open until the next Fender Panel is attached.

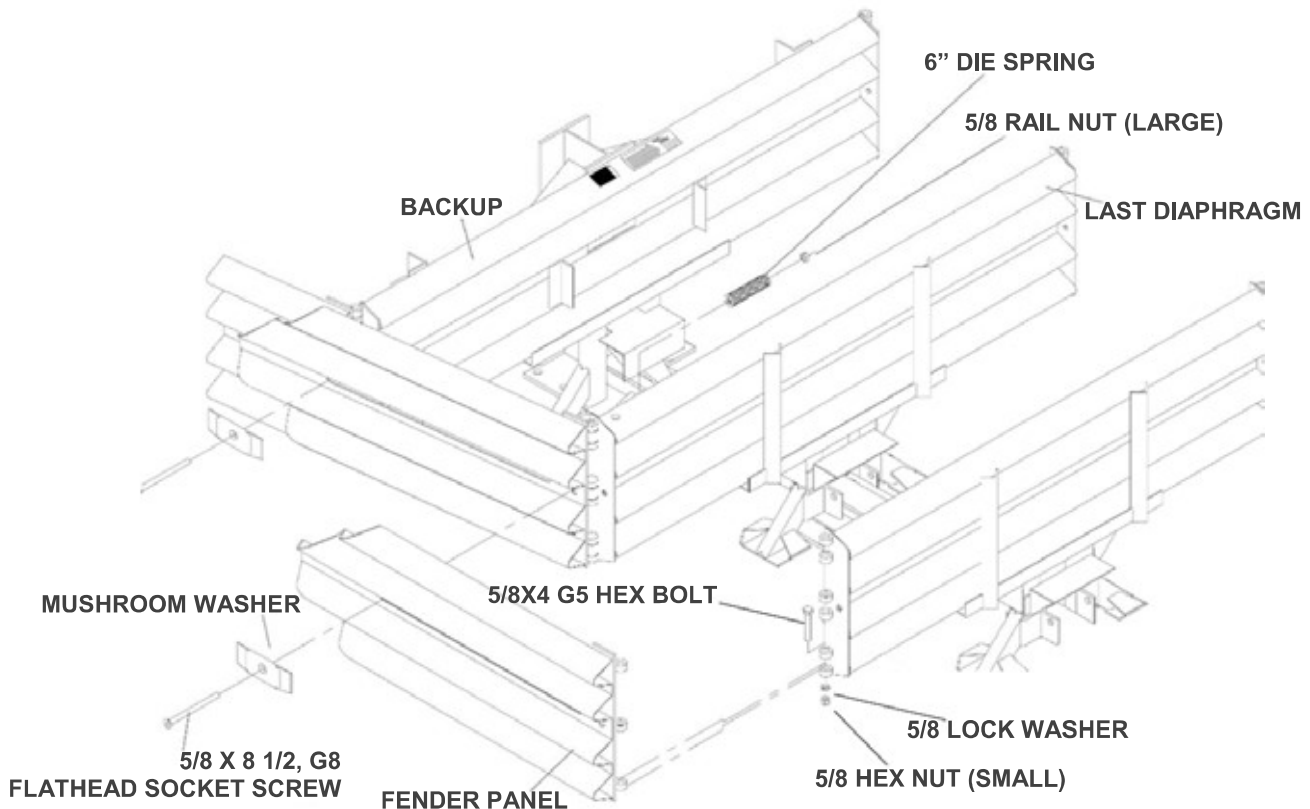
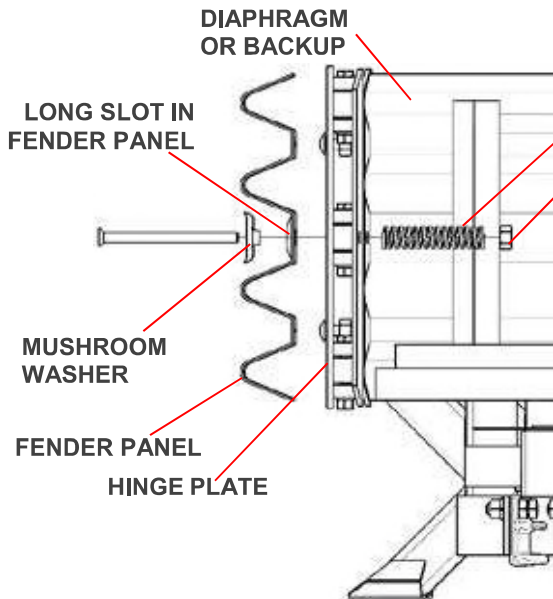


Figure 27
Wide Fender Panel Assembly

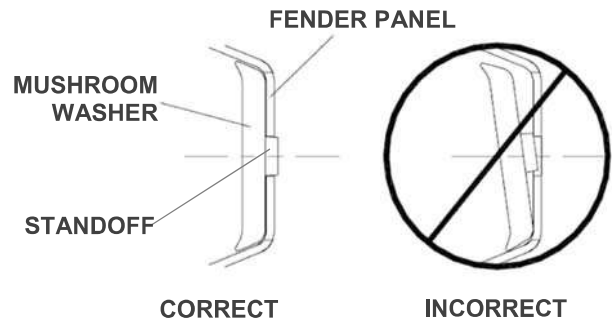
Step 5

The Mushroom Washer must lay flat against the Fender Panel with its standoff completely through the Fender Panel slot (Detail B).



Detail A

Mushroom Washer Attachment



Detail B

Mushroom Washer Orientation



Important: Starting from the Backup, attach and tighten each Bay section one at a time.

Step 6

Check Diaphragm spacing to ensure 915 mm between rear faces of consecutive Diaphragms as shown in Fender Panel assembly drawing (Figure 28).

Step 7

Once proper spacing has been achieved, tighten the Mushroom Washer Assembly (small hex) nut until it reaches the end of the screw threads.

Assemble the remaining Diaphragms and Fender Panels following the same procedure.

Tighten rail nuts (large hex) at the front of the Fender Panels. Ensure the rail bolt shoulder is seated within the Fender Panel slot.

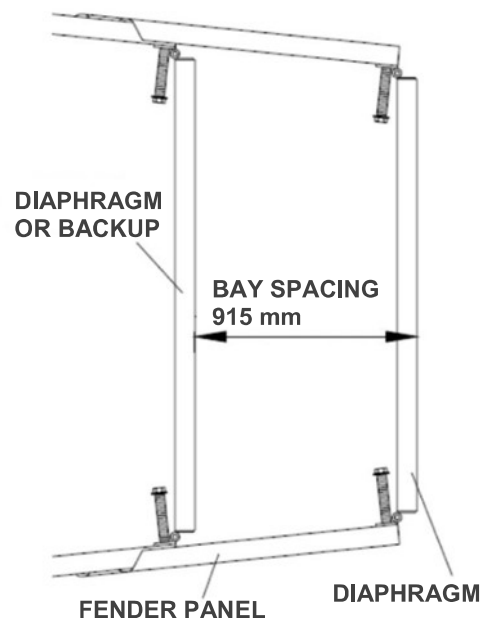


Figure 28
Proper Diaphragm Spacing

9) **Attach End Cap**

Attach the End Cap to the front of the first Monorail segment, as shown below and the Monorail Assembly drawing.

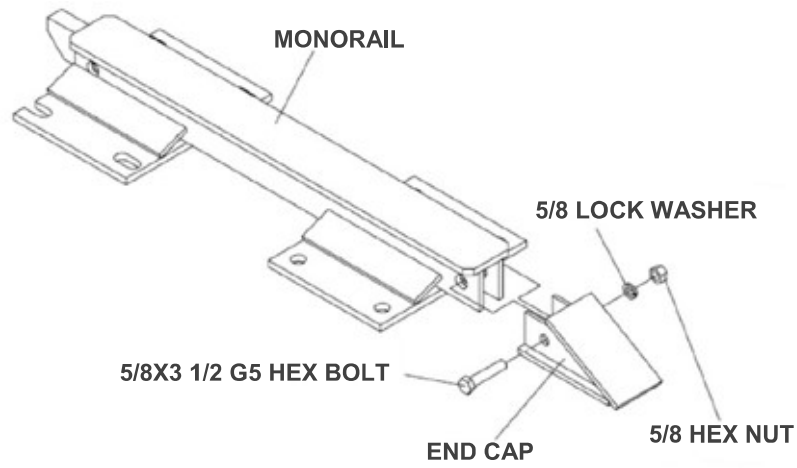


Figure 29
Monorail End Cap Attachment

9) **Attach Lower Cartridge Support Brackets**

Attach lower Cartridge Support Bracket to the front and back of all Diaphragms and also to the front of the Backup as shown below.

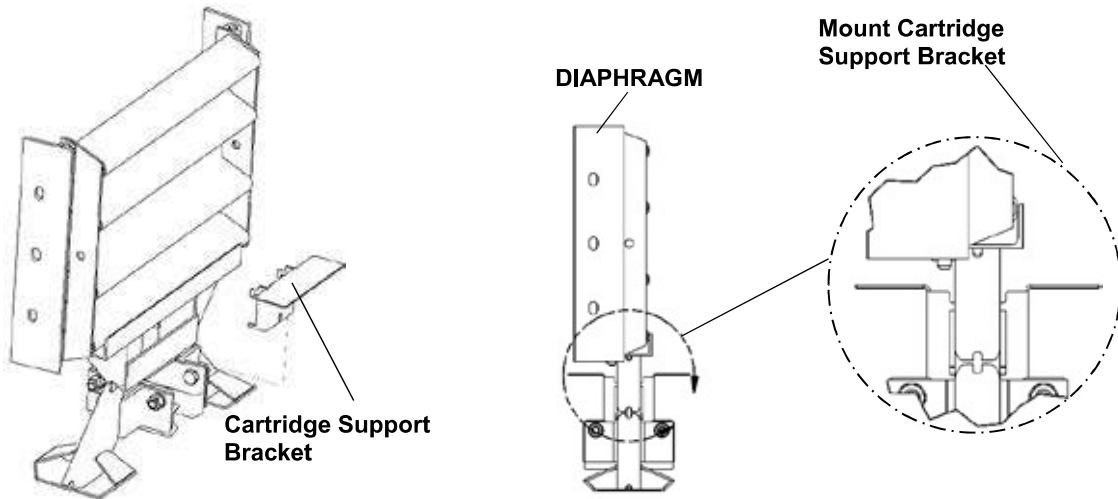


Figure 30
Lower Cartridge Support Bracket Assembly

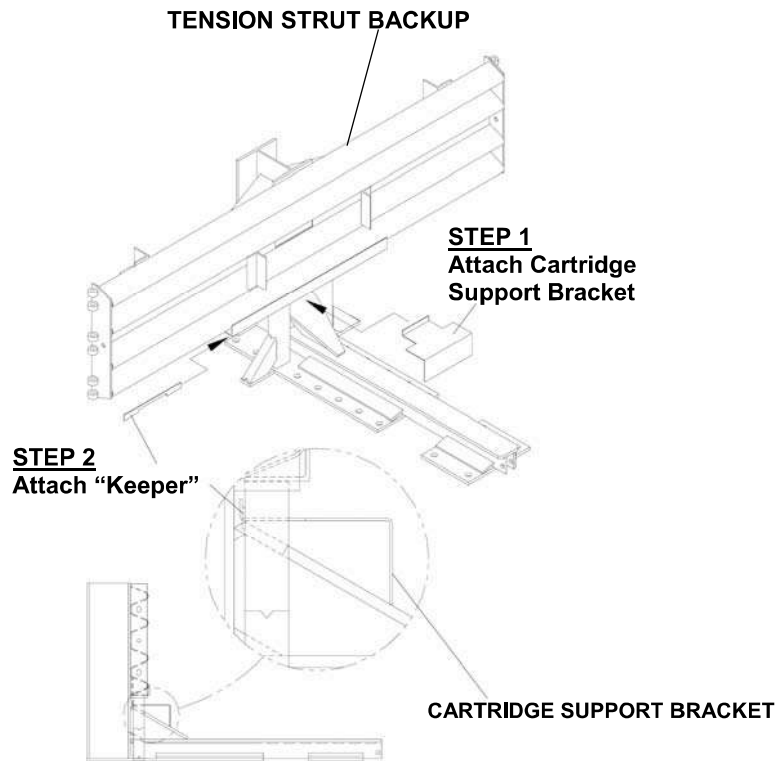


Figure 31
Cartridge Support Bracket Assembly
(Tension Strut Backup)

10) **Nose Assembly**

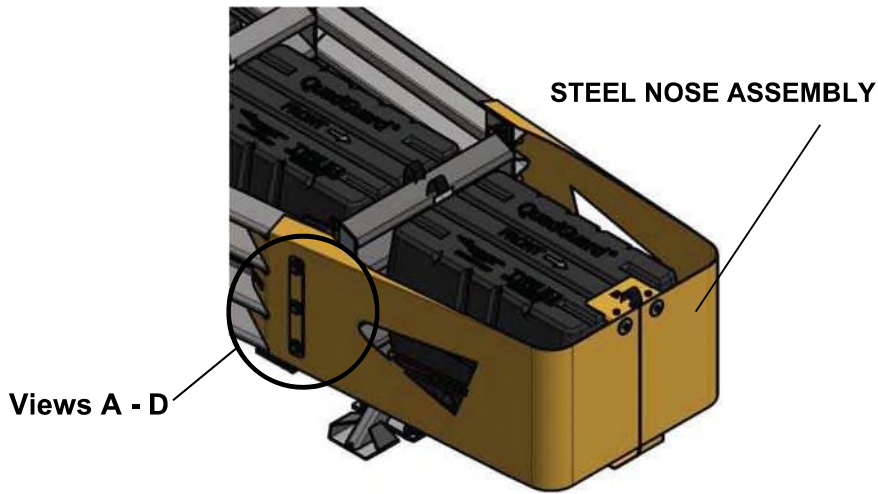
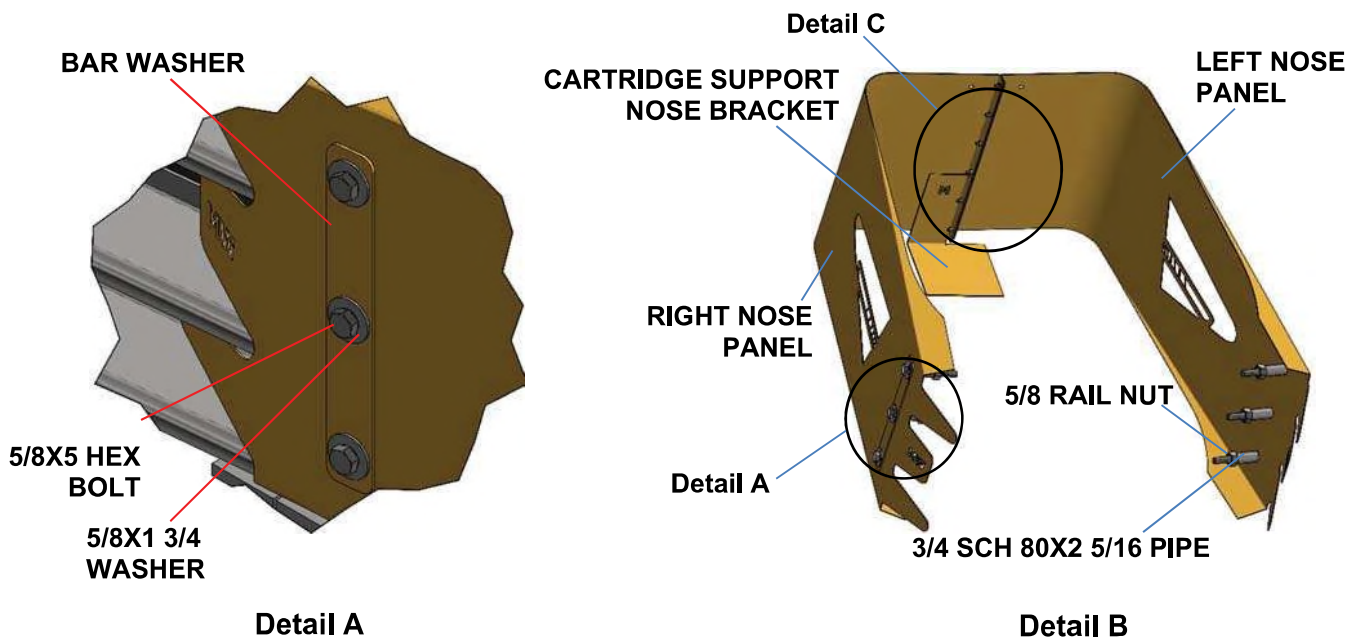


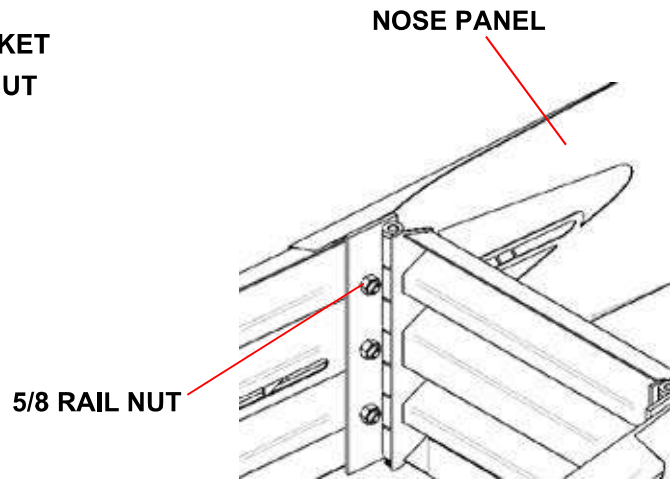
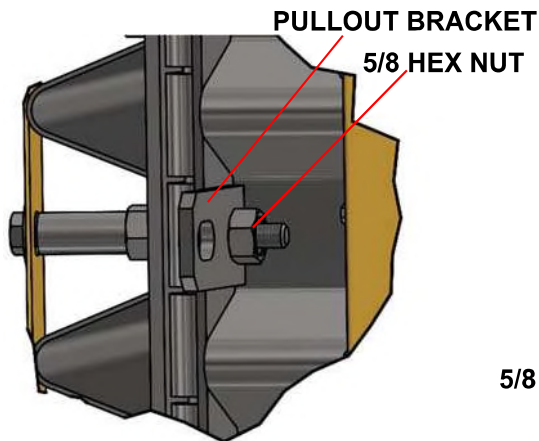
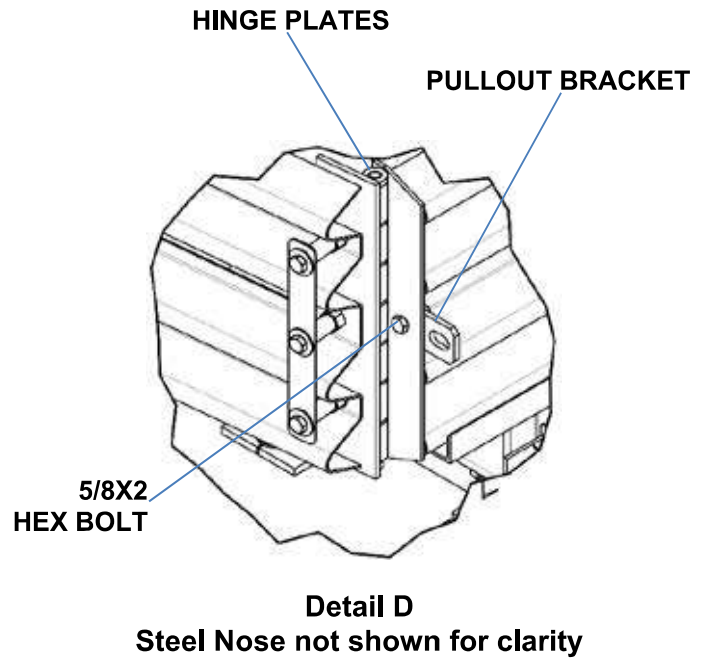
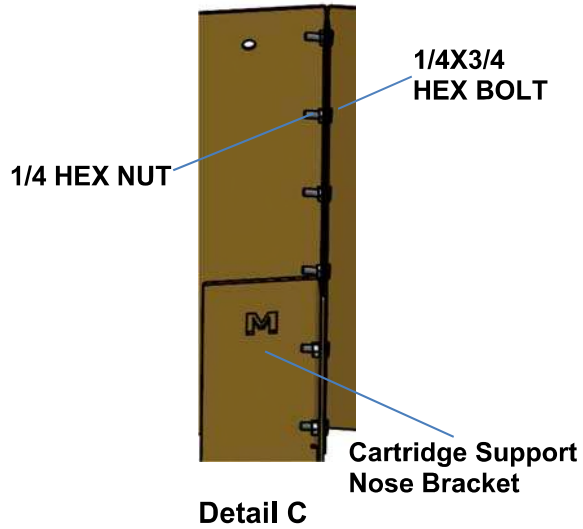
Figure 32
NOSE ASSEMBLY (p. 51)



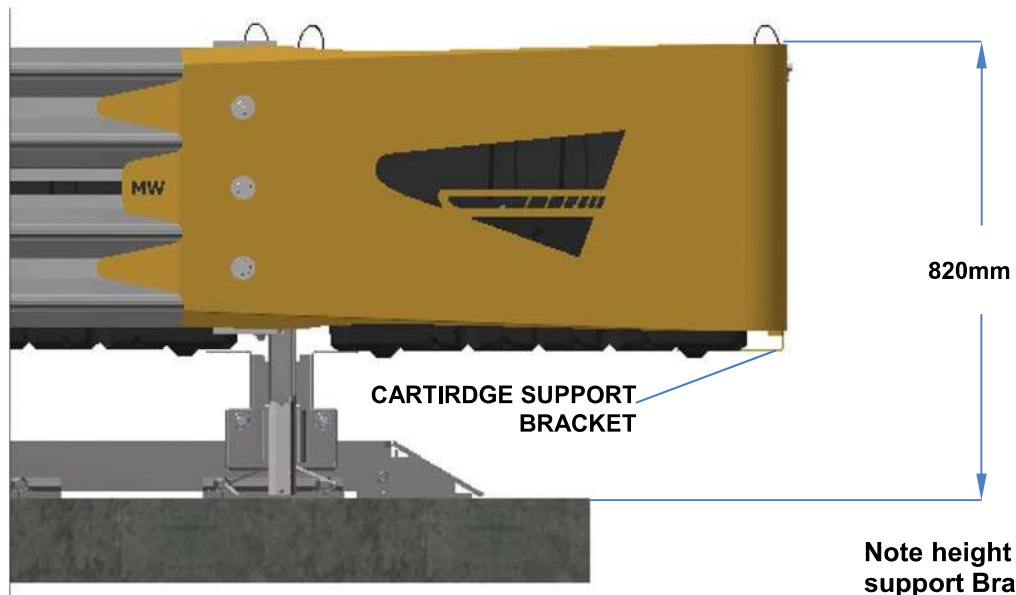
Figure 32a

- A. Pre-assemble each Nose Assembly half with 5/8X5" hex bolt, 5/8X1 3/4" flat washer, bar washer, 3/4" schedule 80 pipe, and 5/8" rail nut (three (3) places per half (Detail A & B)). Tighten.
- B. Join both pre-assembled Nose halves with Cartridge Support Nose Bracket using 1/4X3/4" hex bolts and nuts in six (6) places (Detail B & C). Tighten.
- C. Fasten Pull-Out Brackets to front Diaphragm with 5/8X2" hex bolts and rail nuts. Tighten (Detail D & E).
- D. Attach Nose to Fender Panel and Diaphragm Hinge Plates with 5/8" rail nuts. Adjust Nose assembly height so top front Nose is 820mm above the concrete pad. Tighten all six (6) nuts (Detail F & G).
- E. Install Type I Cartridge insuring directional arrow is pointing to front of system.
- F. Attach Hold Down Bracket to front of Nose with 5/8" fasteners (p. 34).





Note: Detail G shows proper placement of Cartridge Nose Support Bracket.



Detail G

Note height of Cartridge support Bracket. The Cartridge sits at the same level as the other Bays to the rear.

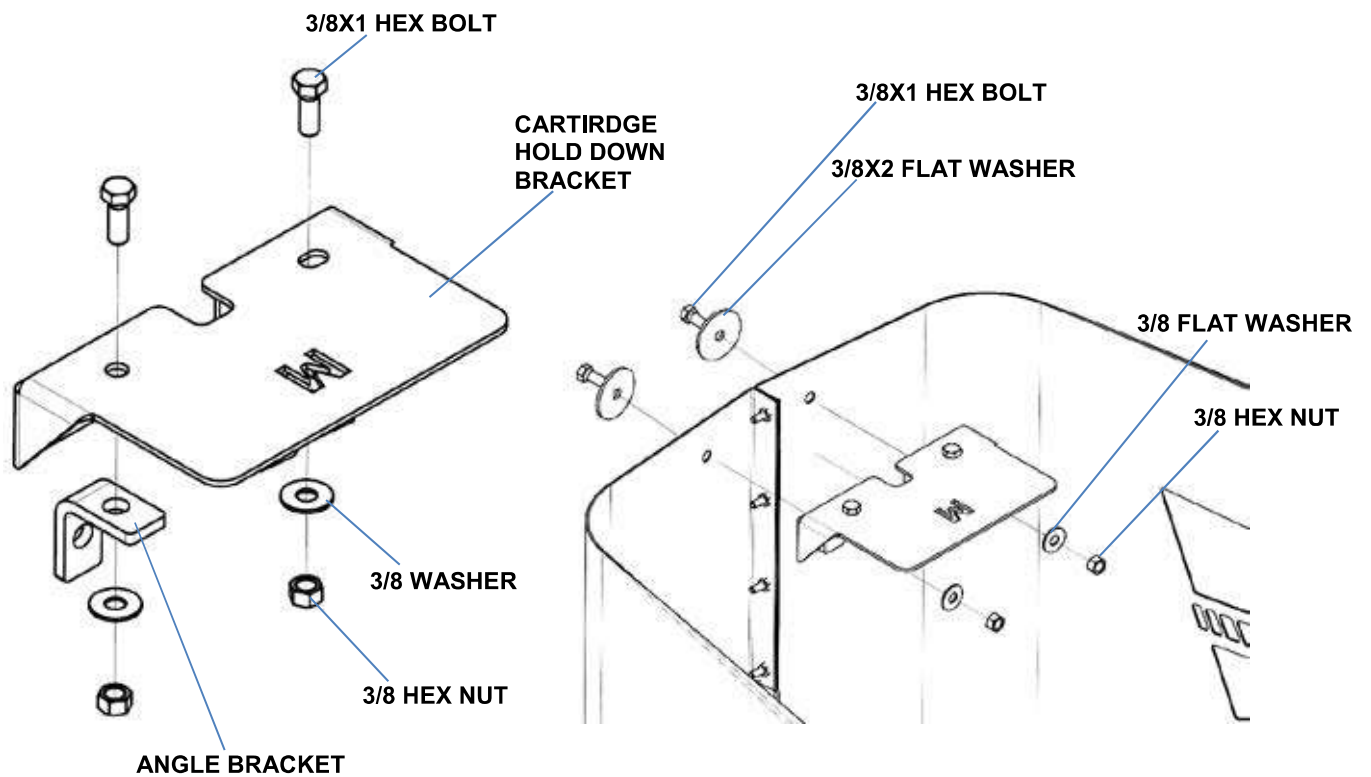


Figure 33
Hold Down Bracket Assembly

11. Checking the System Assembly

Ensure all fasteners are properly tightened throughout the system (anchor bolts, etc.). See torque requirements below. Check all Fender Panels. If they do not fit tightly against the underlying Panel, system realignment may be necessary (Figure 34).



Important: Top of Steel Nose is 820mm above grade (p. 34).



Warning	
Anchor Torque and Clearance Requirements	
Torque Requirements – Adhesive Manufacture Spec Anchor clearance above nuts – Figure 18, p. 24	
Fender Panel Critical Clearances	
Fender Panel Gap Wide – 25 mm	

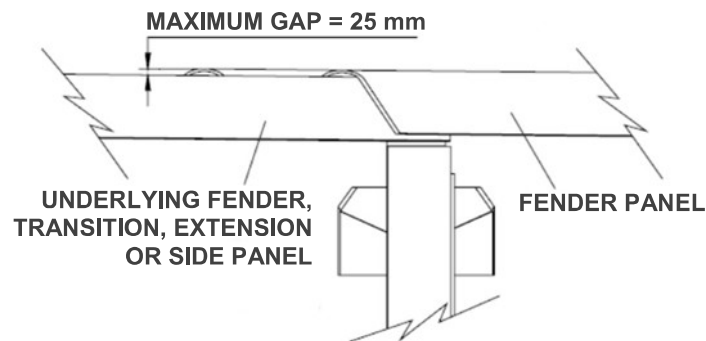


Figure 34
Fender Panel Gap

12) Cartridge Placement

The Nose Cartridge must be the same height as every other Cartridge. To complete the assembly of a QuadGuard® M Wide, place the appropriate Cartridge in each Bay of the system. Type I Cartridges are placed toward the front (Nose) of the system; Type II Cartridges are placed toward the rear (Backup) of the system (p. 20).



Warning: Placing the wrong Cartridge in the Nose or Bay(s) could result in unacceptable crash performance per MASH criteria and cause serious injury or death to occupants and/or bystanders in the event of a vehicle impact.



Important: The QuadGuard® M Wide is a six (6) Bay configuration.

QuadGuard® M Wide Final Inspection Checklist

Site Location: _____

Date: _____

Inspector: _____

Refer to the QuadGuard® M Wide manual and / or drawing package.

- Clearance of 650mm behind rear Fender Panels for stroke (p. 13)
- Anchor nuts are torqued to manufacturer specification (p. 17)
- Cartridges are level and the same height in each Bay (p. 20)

- Correct Cartridge is placed in each Bay and pointing to front of system (p. 20)
- Every hole and slot in Backup and Monorail is anchored (pp. 23, 24)
- If no transition, side panels at backup are required (p. 25)
- Anchor stud(s) are 38 mm maximum above the pad) (p. 24)
- Monorail guides are attached to Diaphragms (p. 26)
- Diaphragm Shims installed between Diaphragm & Monorail guides (p. 26)
- Each Fender Panel has a tension Die Spring (p. 28)
- Mushroom Washers seated in slots (p. 29)
- Monorail has End Cap attached (p. 30)
- Front of the Nose assembly is 820mm above concrete pad (p. 34)
- Nose Cartridge is at the same height as Bay Cartridges (p. 34)
- Cartridge Hold Down Bracket is secure and engaged with Nose Cartridge (p. 34)
- Fender Panel gap is maximum of 25 mm (p. 35)
- Bolts and nuts are properly tightened (p. 35)
- System is clear of debris with any monorail transport bolts (if fitted) removed (p.22)

Maintenance and Repair

Inspection Frequency

Inspections for QuadGuard® M Wide are recommended as needed based upon volume of traffic and impact history. Visual Drive-By Inspections are recommended at least once a month. Walk-Up Inspections are recommended at least once a year.

Visual Drive-By Inspection

- 1) Is there is evidence of an impact? If so, perform a walk-up inspection.
- 2) Are Cartridges properly seated on the Support Brackets? All damaged Cartridges must be replaced.



Warning: See Cartridge placement instructions on page 20.

- 3) Steel Nose is properly attached and 820mm above grade (p. 34).
- 4) Note the location and condition of the QuadGuard® M Wide and the date of visual drive-by inspection.

Walk-Up Inspection Checklist

- Clear and dispose of on-site debris.
- Clear and remove excessive dirt from around the Monorail and Diaphragm feet.
- Bolts are tight and rust free.
- Anchor bolts are securely anchored.
- Diaphragm Legs are straight.
- All Mushroom Washer Assemblies are flat and properly seated through Fender Panel slot.
- Fender Panels and Transition Panels should nest tightly against the system.
- Cartridges have not been damaged and are properly seated on their Support Brackets. To ensure intended speed characteristics, partially crushed Cartridges (due to low speed impacts) must be replaced.
- Make all necessary repairs as described above. See Post-Impact Instructions for more information on next page.
- To determine if a product should be replaced or is potentially reusable, a trained engineer experienced in highway products must be consulted.

Post-Impact Instructions



Important: Trinity Highway makes no recommendation whether use or reuse of any part of the system is appropriate or acceptable following an impact. It is the sole responsibility project engineers to make that determination. It is critical that you inspect this product after assembly is complete to make certain that the instructions provided in this manual have been strictly followed.

- 1) Deploy appropriate traffic-control devices.
- 2) Ensure all anchor bolts have remained firmly anchored in the roadway surface. Replace any loose, broken, or pulled out anchors.

The performance of the system during an angle impact depends on a properly anchored Monorail.

- 3) Clear and dispose of any debris on site.
- 4) Ensure the Mushroom Washer Assemblies are intact so the system can be restored to its original position.



Caution: Use eye protection and gloves when refurbishing the Mushroom Washer Die Spring Assembly. Do not place fingers underneath an assembled Mushroom Washer. Parts may suddenly shift and fingers may be pinched. If the Die Spring is still under compression as the nut is nearing the end of the bolt, to prevent injury make sure that the Die Spring is restrained with a clamp so it does not suddenly release when the nut is removed from the Mushroom Washer Bolt.

- 5) The Diaphragm Support Legs are all properly attached to the Monorail.
- 6) Remove the Nose Assembly and attach a chain to the Pullout Brackets on the first Diaphragm (Figure 35). Attach both ends of chain to a heavy vehicle (such as a 1 ton pickup).



Warning: Stand clear in case chain breaks or becomes disconnected.

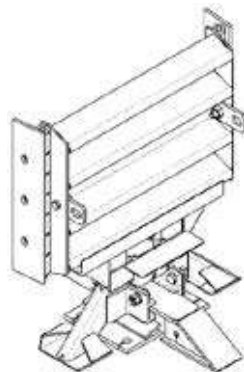


Figure 35
Pullout Brackets



Important: Slowly pull the system forward to its original length. Have someone watch the repositioning to ensure undetected damage does not cause the Diaphragms to bind or pull out improperly.

- 7) Remove all crushed Cartridges from within the system.
- 8) Check to see that the Diaphragms are in usable condition. Diaphragms which are bowed or have bent legs must be replaced.
- 9) Check that the Fender Panels are properly attached with the Mushroom Washer Assemblies. Damaged Fender Panels and Transition Panels must be replaced.



Warning	
Anchor Torque and Clearance Requirements	
Torque Requirements – Adhesive Manufacture Spec Anchor clearance above nuts – Figure 18, p. 24	
Fender Panel Critical Clearances	
Fender Panel Gap – 25 mm	

- 10) Check the **gaps between Fender Panels**. The maximum gap allowed for these overlapping parts (including Fender Panels overlapping Panels behind the system) is 25 mm.



Important: Ensure the Mushroom Washer rail nuts are tightened to the end of the bolt threads. If the gaps between the Fender Panels are still too large, it may be necessary to replace bent parts.

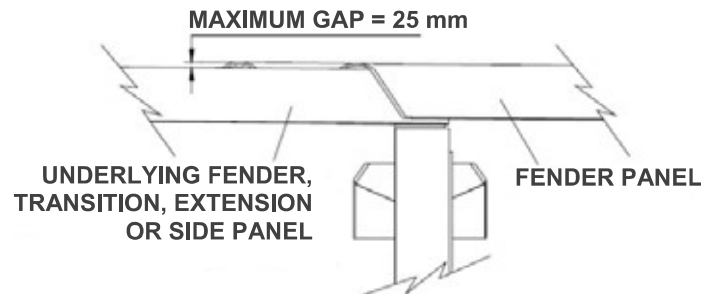


Figure 36
Fender Panel Gap

- 11) Replace all crushed Cartridges and damaged Cartridge Support Brackets. See Cartridge Placement on page 20.
- 12) Remove damaged Nose Assembly. Attach the new Nose to the first Diaphragm. See pages 32 - 34 and 51 for Nose attachment instructions.
- 13) All bolts on the system are adequately tight.
- 14) Site is free from debris.
- 15) The QuadGuard® M Wide is now ready for use.

Parts Ordering Procedure & Drawings

Make a list of all damaged parts from the System Components section in this manual (p. 7 – 11). Answer the following questions in the spaces provided. This information is necessary to receive the proper parts.

QuadGuard® M Wide Ordering Information Chart		
Description:	Choices	Fill in this section
Transition Panel Type? Side Panel and Transition Panel Types are on page 12. Include Transition options for both sides if necessary. How to Determine Left/Right is on page 21.	<ul style="list-style-type: none"> • Quad to W-Beam Guardrail • Quad to Thrie Beam Guardrail • Quad to Safety Shape Barrier • Quad to Single Slope Barrier • Quad to Vertical Concrete End Shoe • None 	

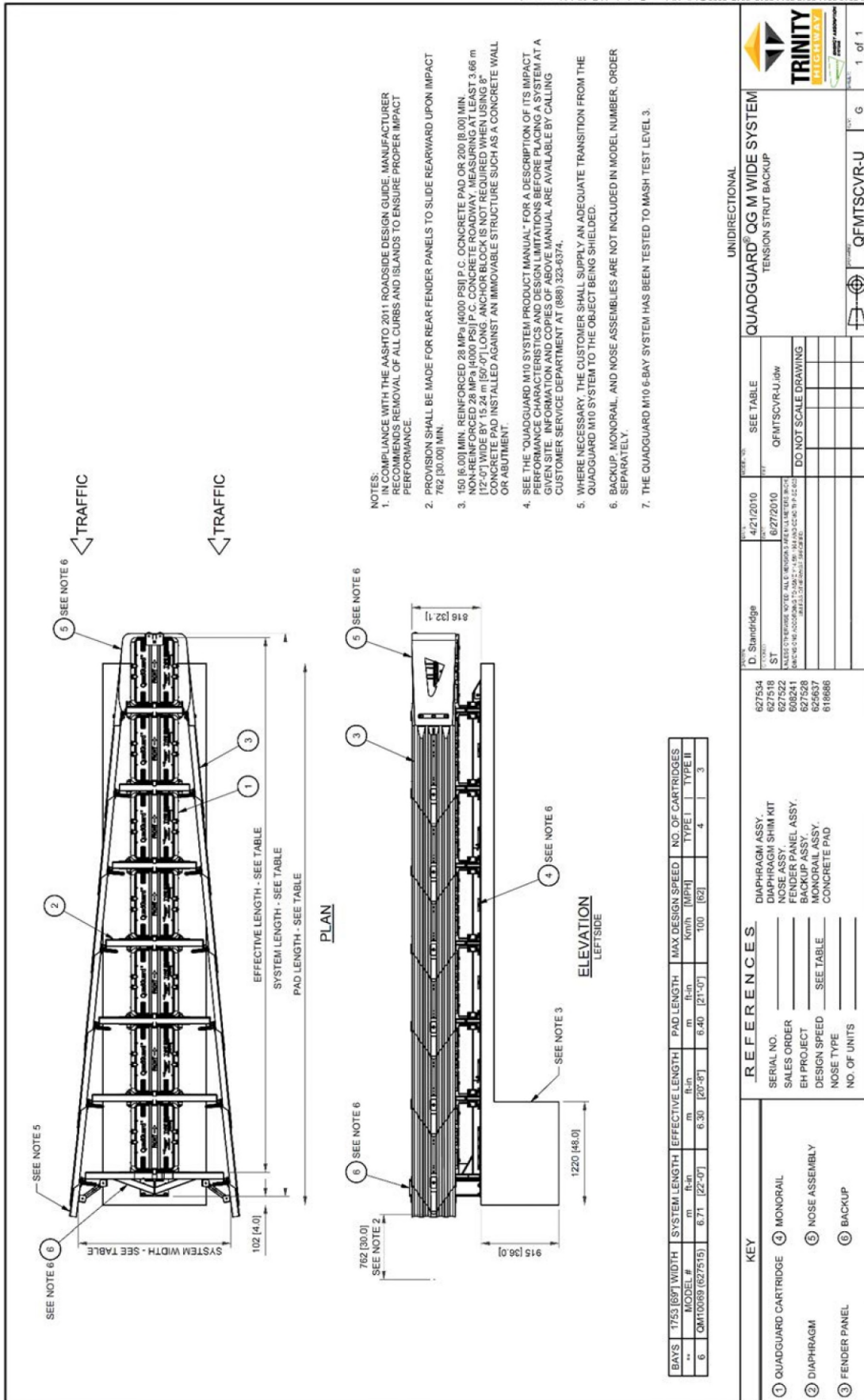
Parts List(s) & Quantities

PN	Description	Count
10102902	Injection Mortar 500/2/EE	3
10102307	Backup, TS, 64, M Wide, W/Decals	1
10102508	Bolt, Hex, 1/4x3/4, G5	6
10102556	Bolt, Hex, 1/4x1, G5	2
113596	Bolt, Hex, 3/8x1, G5	4
10102507	Bolt, Hex, 3/8x3 1/2, All Thread, G5	16
10102531	Bolt, Hex, 5/8x2, G5	2
10102552	Bolt, Hex, 5/8x3 1/2, G5	1
10102512	Bolt, Hex, 5/8x4, G5	36
119163	Bolt, Hex, 5/8x5, G8, P, F/T	6
10102509	Bolt, Hex, 3/4x2, G8	24
10102503	Bolt, Rail, 5/8x2	28
10102209	Bracket, Angle, 2X1,W/Holes	2
10102208	Bracket, Cartridge Hold Down	1
10102405	Bracket, Cartridge Support, Nose	1
10102400	Bracket, Cartridge Support, Dia, Folded	12
10102406	Bracket, Cartridge Support, TS B/U	1
10102411	Bracket, Pull-Out	2
10102903	Cartridge Assembly, Type I	4
10102904	Cartridge Assembly, Type II	3
10102101	Diaphragm, 0833	1
10102116	Diaphragm, 0993	1
10102102	Diaphragm, 1153	1
10102105	Diaphragm, 1313	1

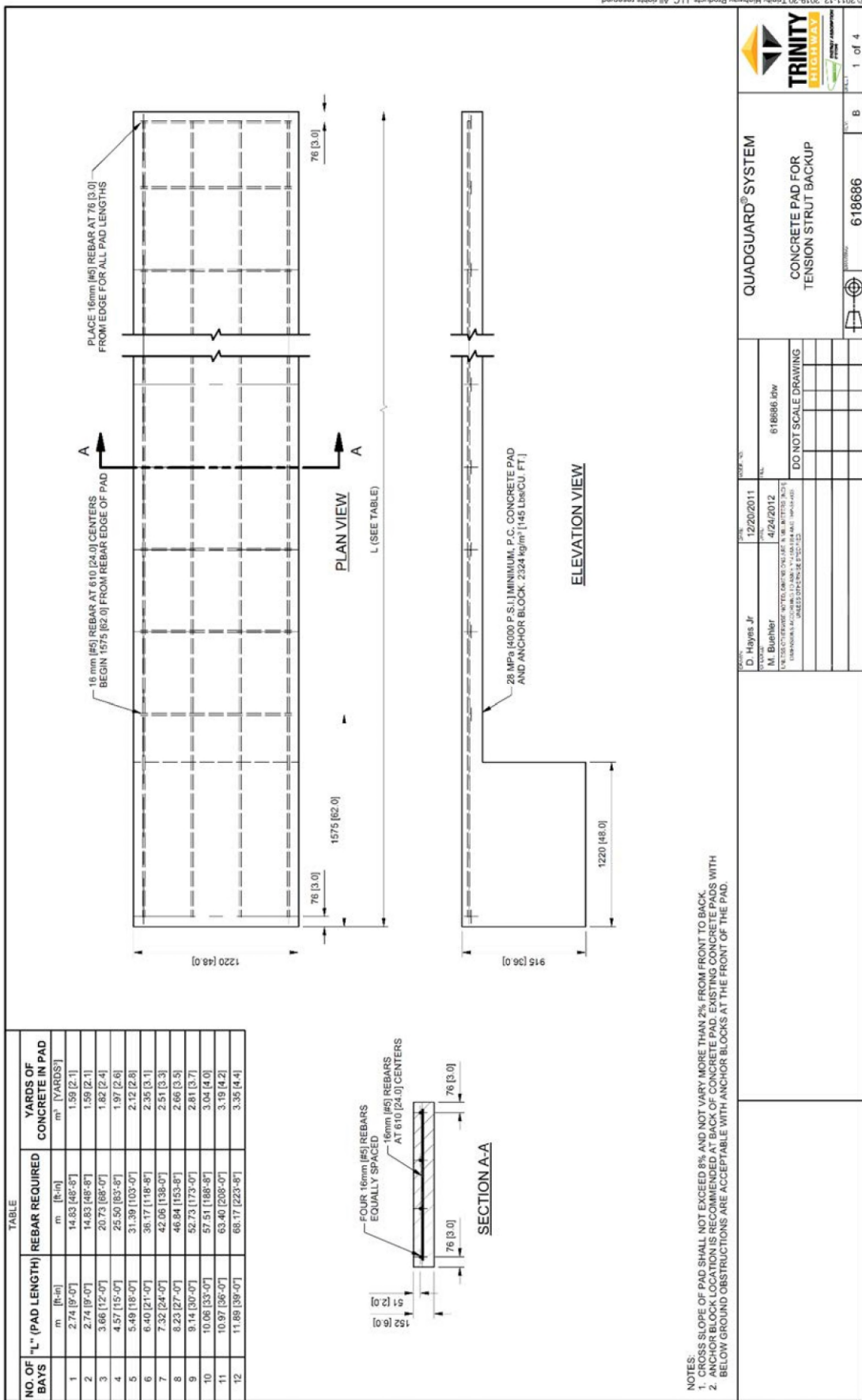
PN	Description	Count
10102117	Diaphragm, 1473	1
10102128	Diaphragm, Full Length,0673	1
10102313	Endcap, Monorail	1
10102557	Hinge Pin, Dia, Full Length	2
10102417	Hinge Plate, Fender Panel	12
10102443	Hinge Plate, Full Length	2
10102419	Locking Bar, Cartridge Support	1
10102534	Monorail Guide	12
10102311	Monorail, 2 Bays	1
10102312	Monorail, 3 Bays	1
10102214	Nose, Left Half	1
10102215	Nose, Right Half	1
10102504	Nut, Heavy Hex, 3/4, A563 DH	24
10102502	Nut, Heavy Hex, 5/8, A563	37
10102515	Nut, Hex, 1/4	8
10102516	Nut, Hex, 3/8	20
10102501	Nut, Hex, 5/8, Rail	54
10102002	Panel, Fender	12
10102005	Panel, Side	2
626819	Pipe, 3/4 Schedule 80X2 5/16	6
10102521	Screw, Flat, 5/8X8 1/2, G8, Socket	12
10102906	Shim, 12GAX3 5/8X8	12
10102522	Spring, Die, 1 1/2 ODX3/4X6	12
10102547	Stud, M20 x 180mm, GR8.8	52
10102907	Tel ST 1 3/4X1 3/4X12GAX10, H4S	4
10102908	Tel ST 2X2X12GAX10, H4S	4
10102210	Washer, Bar, 10GAX2X14, Slots	2
10102538	M20 Structural Flat Washer	52
10102526	Washer, Flat, 3/8X1	4
10102568	Washer, Flat, 3/8X2	2
10102500	Washer, Flat, 5/8X1 3/4	6
10102528	Washer, Lock, 3/4	24
10102529	Washer, Lock, 3/8	16
10102530	Washer, Lock, 5/8	37
10102536	Washer, Mushroom, Forged	12
10102539	M20 Structural Nut Hex Galv	52



Warning: Use only Trinity Highway parts that are specified herein for assembling, maintaining, or repairing the QuadGuard® M Wide. **Do not utilize or otherwise comingle parts from other systems even if those systems are other Trinity Highway systems.** Such configurations have not been tested, nor have they been deemed eligible for use. Assembly, maintenance, or repairs using unspecified parts or accessories is strictly prohibited.



© 2010, 2011, 2012, 2014, 2016, 2017, 2020 Trinity Highway Products, LLC. All rights reserved.



Concrete Pad 618686

ITEM	DESCRIPTION
1	BACKUP TS, WIDE WIDE CAL
2	PANEL SIDE, OG, WIDE, G
3	BOLT HK, 3/8X3 1/2 ALL THREAD, GS, G
4	NUT, HK, 3/8, G
5	WASHER, LOCK, 3/8, G
6	ANCHOR KIT, HLT, 1330ml, 3/4X7, (4)
7	NUT, HK, 5/8, G RAIL
8	BOLT, TRAIL, 5/8X2, G
9	BOLT, HK, 3/8X4, GS, G
10	WASHER, LOCK, 5/8, G
11	5/8" Hvy HEX NUT A563A
12	HINGE PLATE, FENDER, PANEL, OG
13	TEL ST, 1.34X1.34X12 GA X10, H4S, G
14	TEL ST, 2X2X12 GA X10, H4S, G
15	BRACKET, CART, SUPT, TS, BU, OG
16	LOCKING BAR, CARTRIDGE, SUPT, OG

TABLE			
SYSTEM	WIDTH	7" ANCHOR	18" ANCHOR
OG, OGH, OGHs	69"	604596	626520
OG, OGH, OGHs	90"	604599	626521
OG, M, WIDE	69"	627512	N/A
			627520
			627523

QUADGUARD FAMILY

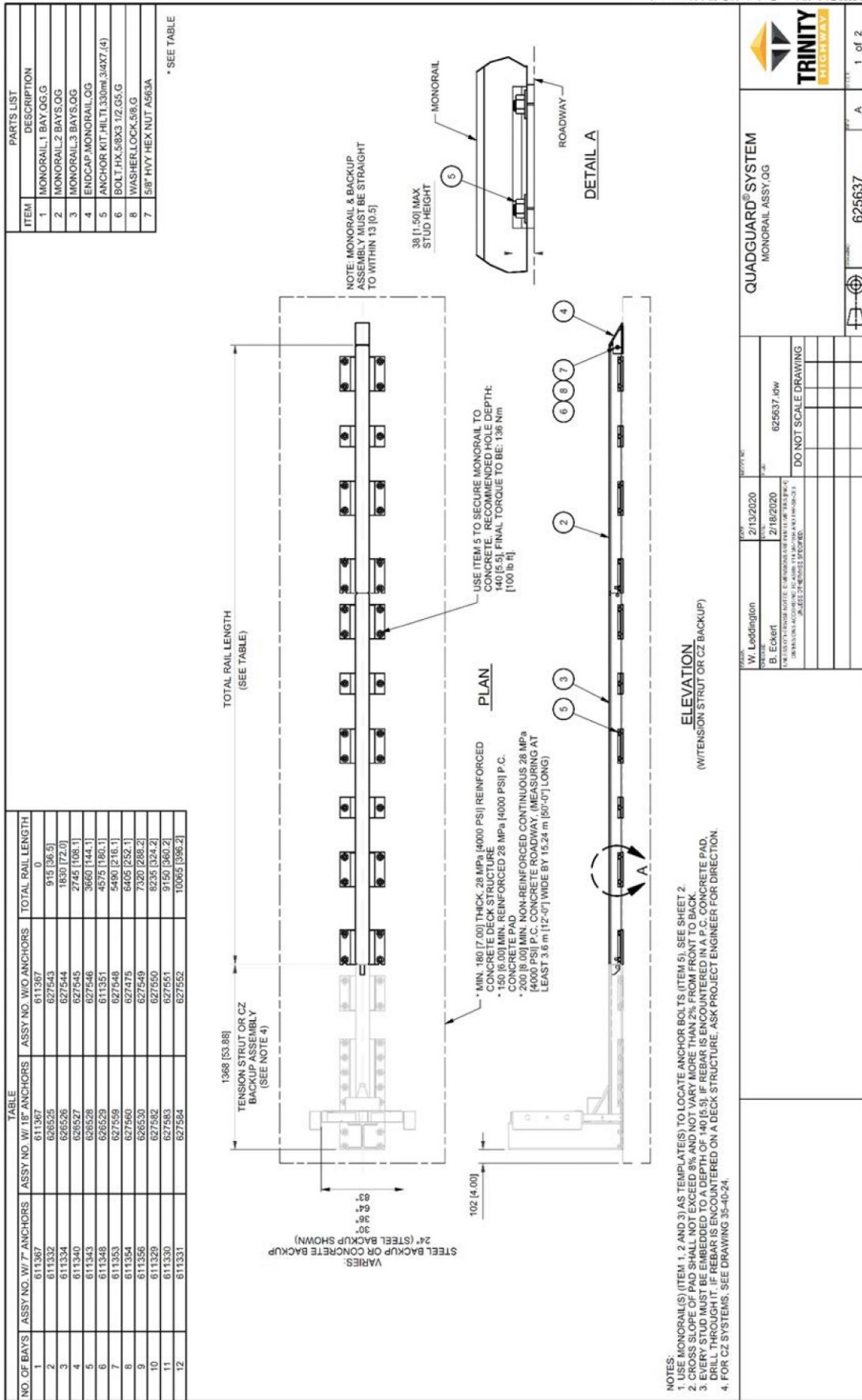
DESIGNED BY	D. Kohfeld	DATE	2/19/2020
DRAWN BY	B. Eckert	DATE	2/25/2020
<small>TRINITY HIGHWAY PRODUCTS, LLC 11000 W. 110TH AVENUE, SUITE 1000, DENVER, CO 80231 TEL: 303.751.7800 FAX: 303.751.7801 WWW.TRINITYHIGHWAY.COM</small>			
DO NOT SCALE DRAWING			

QUADGUARD FAMILY
BACKUP ASSEMBLY, TENSION STRUT

627528

1 of 2

Tension Strut Backup 627528



NOTES:
 1. USE MONORAIL(S) (ITEM 1, 2 AND 3) AS TEMPLATE(S) TO LOCATE ANCHOR BOLTS (ITEM 5). SEE SHEET 2.
 2. CROSS SLOPE OF PAD SHALL NOT EXCEED 8% AND NOT VARY MORE THAN 2% FROM FRONT TO BACK.
 3. DRILL THROUGHOUT IF REBAR IS ENCOUNTERED ON A DECK STRUCTURE. ASK PROJECT ENGINEER FOR DIRECTION.
 4. FOR CZ SYSTEMS, SEE DRAWING 35-40-24.

	QUADGUARD® SYSTEM MONORAIL ASSY.OG	PROJECT NO: 625637 45W	DATE: 2/18/2020
W. Leddington B. Eckert	DATE: 2/18/2020	DO NOT SCALE DRAWING	
TRINITY HIGHWAY			

	SCALE:	625637	SHEET	A	TOTAL	1 of 2
--	--------	--------	-------	---	-------	--------

Monorail Assembly 625637

ITEM	DESCRIPTION
1	DIAPHRAGM,08 FULL LENGTH
2	WASHER,LOCK,3/4,G
3	BOLT,HK,3/4X2,08,G
4	MONORAIL GUIDE,08,G
5	3/4" HVY HEX NUT A563 DH
6	BRACKET,CAR,SUPT,DIA FOLDED,08
7	HINGE PLATE,FULL LENGTH,FNDR PNL,08
8	HINGE PIN,DIA FULL LENGTH
9	BOLT,HK,1/4X1,05,G
10	NUT,HX,1/4,G

TABLE	WIDTH
ASSEMBLY	673 [26.5]

BAY 1 DIAPHRAGM

QUADGUARD® QG M WIDE DIAPHRAGM ASSEMBLY	627534	627534	627534	627534	627534
© 2020 Trinity Highway Products, LLC. All rights reserved.					

Diaphragm Assembly 627534

ITEM	DESCRIPTION
1	DIAPHRAGM, QR
2	WASHER, LOCK, 3/4, G
3	BOLT, 1/2 X 3/4 X 2, GR, G
4	MONORAIL, GUIDE, QG, G
5	3/4" HVY HEX NUT A563 DH
6	BRACKET, CART, SUPT, DIA, FOLDED, QG
7	HINGE PLATE, FENDER, PANEL, QG
8	BOLT, 1/2 X 3/8 X 4, GS, G
9	5/8" HVY HEX NUT A563A
10	WASHER, LOCK, 3/8, G

ASSEMBLY	WIDTH
607175	833 [32.8]
607177	993 [39.1]
607146	1153 [45.4]
607150	1313 [51.7]
607152	1473 [60.0]

STANDARD DIAPHRAGMS

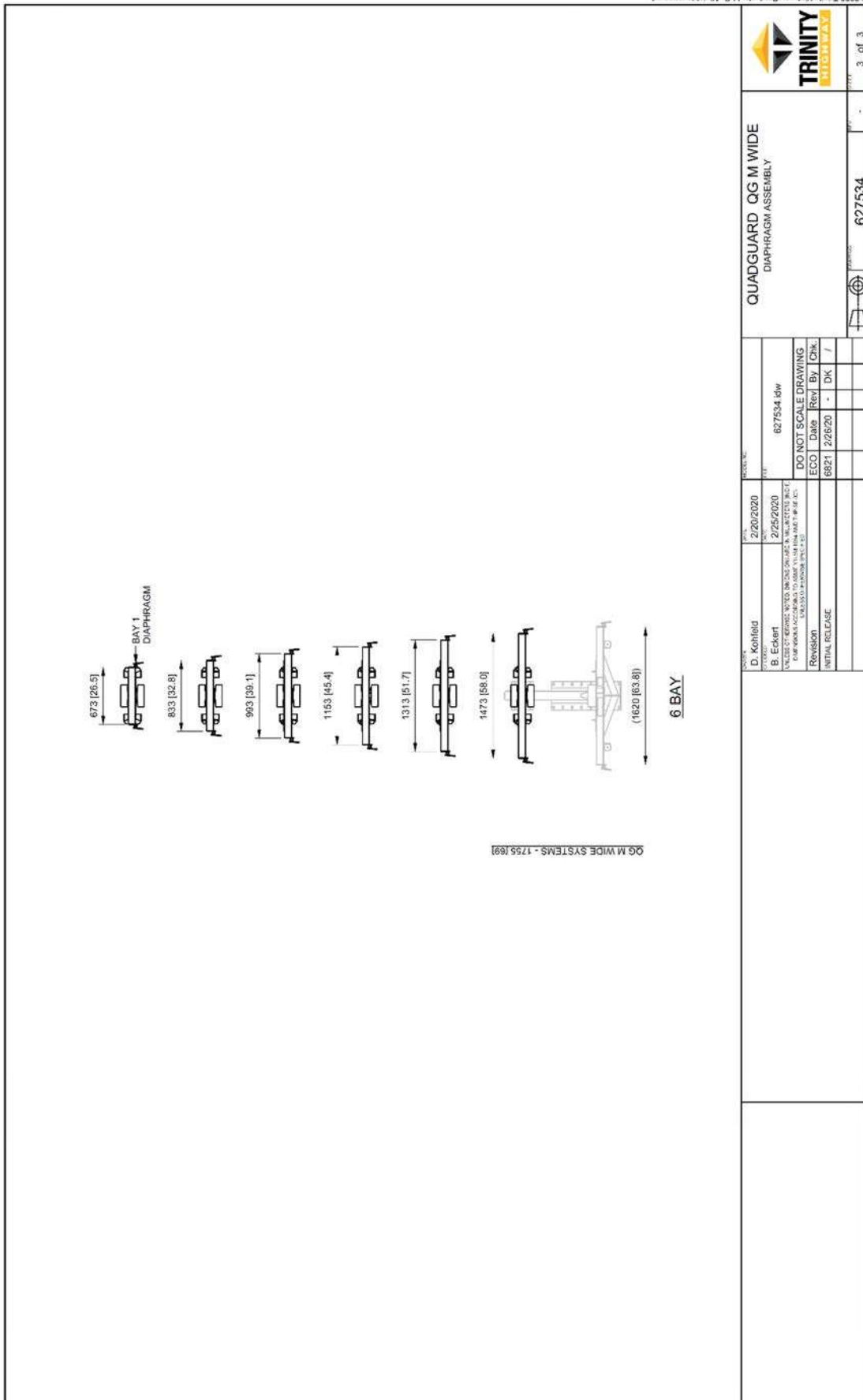
DESIGNED BY: D. Kohfeld
 CHECKED BY: B. Eckert
UNLESS OTHERWISE SPECIFIED, DIMENSIONS ARE IN MILLIMETERS (INCHES) AND DECIMALS ARE TO THE NEAREST 0.001 (0.001 INCHES).

DATE: 2/20/2020
 TIME: 2:25/2020
 FILE: 627534.dwg
 DO NOT SCALE DRAWING

QUADGUARD® QG M WIDE
 DIAPHRAGM ASSEMBLY

TRINITY HIGHWAY

REV: 2 of 3
 PART NO: 627534



PARTS LIST	
ITEM	DESCRIPTION
1	SHIM, G

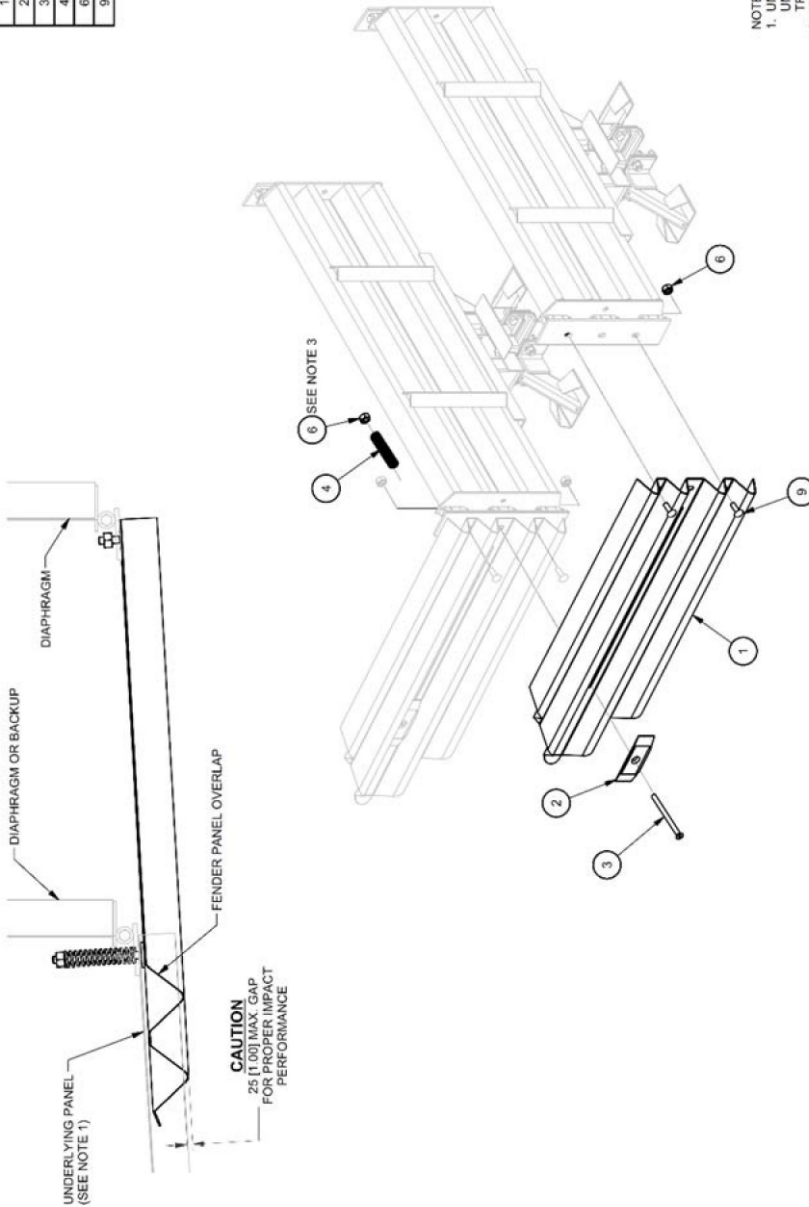
	<table border="1" style="margin: auto;"> <tr> <th>TABLE</th> <th>THICKNESS</th> </tr> <tr> <td>KIT</td> <td>12 GA</td> </tr> <tr> <td>614050</td> <td></td> </tr> </table>	TABLE	THICKNESS	KIT	12 GA	614050			
TABLE	THICKNESS								
KIT	12 GA								
614050									
		QUADGUARD® FAMILY SHIM KIT							
DESIGNER D. Kohfeld	DATE 2/19/2020	PROJECT NO. 627518.dwg							
UNLESS OTHERWISE NOTED, DIMENSIONS ARE IN INCHES TO NEAREST 1/16" DIMENSIONS ARE TO BE MAINTAINED UNLESS OTHERWISE SPECIFIED			DO NOT SCALE DRAWING						
DRAWING APPROVED BY: [Signature]			627518						
			1 of 1						

Shim Kit 627518

© 2020 Trinity Highway Products, LLC. All rights reserved.

PARTS LIST			
ITEM	STOCK NO.	DESCRIPTION	QTY.
1	611832	PANEL,FENDER,CG	1
2	617045	WASHER,MUSHROOM,FORGED,OG,G	1
3	116879	SCREW,FL,5/8X8 1/2,G8,G,SOCKET	1
4	117458	SPRING,DIE,1 1/2,OD,X3/4X6,GALV	1
6	003340	NUT,HX,5/8,G,RAIL	3
9	003400	BOLT,RAIL,5/8X2,G	2

TWO FENDER PANEL ASSEMBLIES REQUIRED PER BAY.



- NOTES:
 1. UNDERLYING PANEL IS A FENDER PANEL IF ATTACHED TO A DIAPHRAGM.
 2. UNDERLYING PANEL IS A BACKUP SIDE PANEL, EXTENSION PANEL OR TRANSITION PANEL IF ATTACHED TO THE BACKUP.
 3. UNITS OF MEASUREMENT ARE MILLIMETERS (INCHES) UNLESS OTHERWISE NOTED.
 4. TIGHTEN NUT UNTIL IT REACHES END OF THREADS.

ASSEMBLY NO. 608241

QuadGuard - Wide System
 FENDER PANEL ASSEMBLY

REV#	1:16	DATE	608241	1	of	1	REV	J
------	------	------	--------	---	----	---	-----	---

Fender Panel Assembly 608241

ITEM	DESCRIPTION
1	NOSE LOG M WIDE
2	NOSE R OG M WIDE
3	BRACKET CART SUPPORT NOSE OG M
4	BOLT HX 1/4X3/4 .05 G
5	BOLT HX 5/8X2 .05 G
6	NUT HX 1/4 G
7	NUT HX 5/8 G RAIL
8	BRACKET CART HOLD DOWN LOG M
9	BRACKET ANGLE 2X1 WHOLES
10	WASHER FLAT 3/8X1 G
11	NUT HX 3/8 G
12	BOLT HX 3/8X1 .05 G
13	WASHER FLAT 3/8X2 G
14	BRACKET PULL-OUT OG
15	PIPE 3/4 SCH 80X2 5/16
16	BOLT HX 5/8X5 .05 P FIT
17	WASHER BAR 1/2GX2X14 SLOTS
18	WASHER FLAT 5/8 X 1 3/4 G

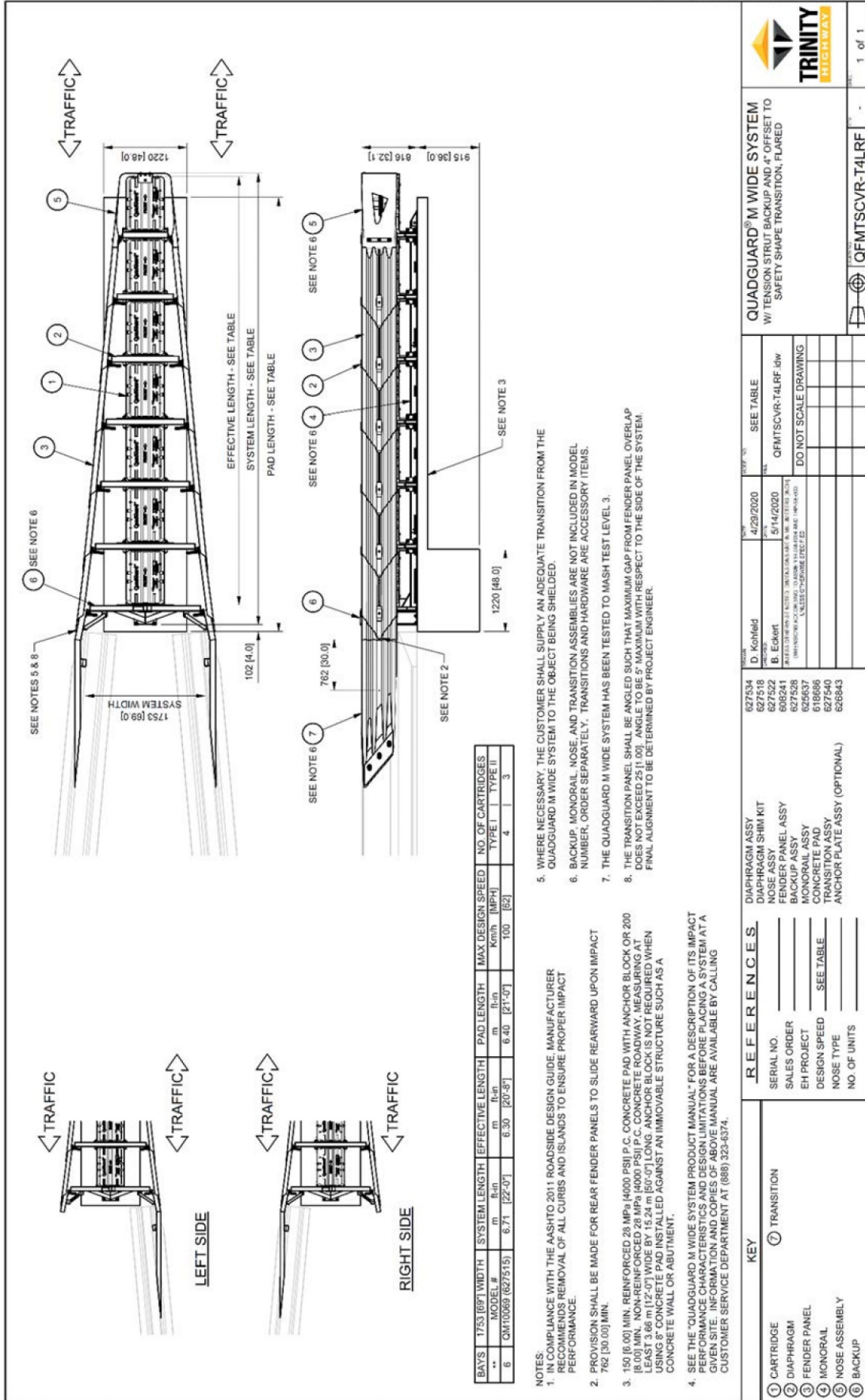
TABLE	
ASSEMBLY	COLOR
627516	BLACK
627517	GALVANIZED
627521	YELLOW

D. Kohfeld PROJECT MANAGER B. Eckert SUPERVISOR	DATE: 2/17/2020 DATE: 2/25/2020	MODEL NO.: 627522.dwg	QUADGUARD® OG M WIDE SYSTEM NOSE ASSEMBLY
DO NOT SCALE DRAWING			
PARTS LIST			
			1 of 1

© 2020 Trinity Highway Products, LLC. All rights reserved.



Nose Assembly 627522



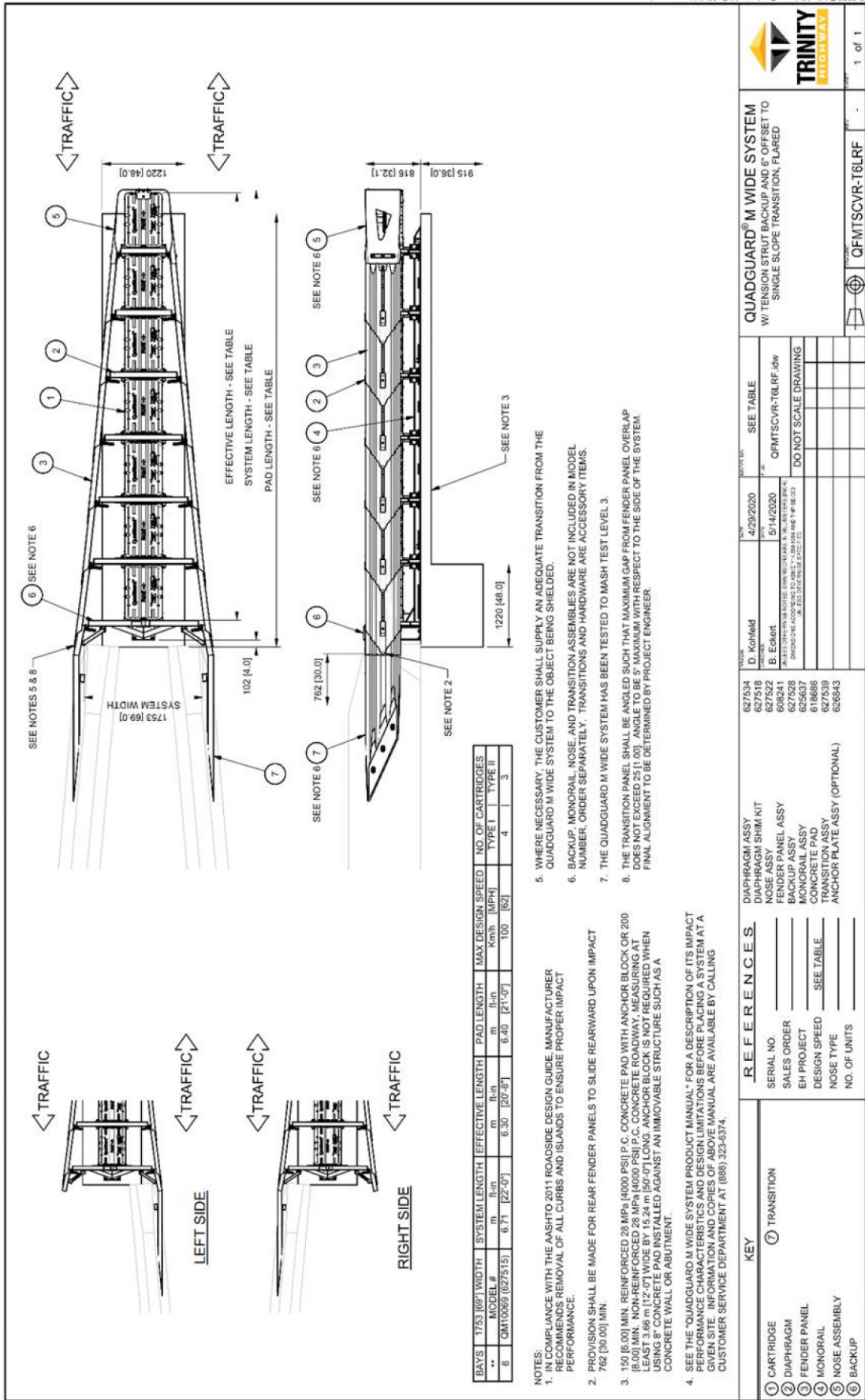
Transition to Safety Shape Barrier QFMTSCVR-T4

TRINITY HIGHWAY

QUADGUARD® M WIDE SYSTEM
W/ TENSION STRUT BACKUP AND 4" OFFSET TO
SAFETY SHAPE TRANSITION, FLARED

QFMTSCVR-T4LRF

1 of 1



Transition to Single Slope QFMTSCVR-T6

LEFT SIDE

RIGHT SIDE

TRAFFIC

TRAFFIC

TRAFFIC

TRAFFIC

SEE NOTES 5 & 6

SEE NOTE 6

1753 [69.0] SYSTEM WIDTH

102 [4.0]

EFFECTIVE LENGTH - SEE TABLE

SYSTEM LENGTH - SEE TABLE

PAD LENGTH - SEE TABLE

1220 [48.0]

762 [30.0]

SEE NOTE 2

762 [30.0]

SEE NOTE 6 (4)

SEE NOTE 6 (5)

SEE NOTE 6 (3)

SEE NOTE 6 (2)

SEE NOTE 6 (1)

SEE NOTE 6 (5)

1220 [48.0]

915 [36.0]

816 [32.1]

SEE NOTE 3

BAYS	1753 [69.0] WIDTH	SYSTEM LENGTH	EFFECTIVE LENGTH	PAD LENGTH	MAX DESIGN SPEED	NO. OF CARTRIDGES	
--	MODEL #	m	ft-in	m	Kmph [MPH]	TYPE I	TYPE II
6	QM10089 [627515]	6.71 [22'-0"]	6.30 [20'-8"]	6.40 [21'-0"]	100 [62]	4	3

NOTES:

- IN COMPLIANCE WITH THE AASHTO 2011 ROADSIDE DESIGN GUIDE, MANUFACTURER RECOMMENDS REMOVAL OF ALL CURBS AND ISLANDS TO ENSURE PROPER IMPACT PERFORMANCE.
- PROVISION SHALL BE MADE FOR REAR FENDER PANELS TO SLIDE REARWARD UPON IMPACT 762 [30.0] MIN.
- 150 [6.00] MIN. REINFORCED 28 MPa [4000 PSI] P.C. CONCRETE PAD WITH ANCHOR BLOCK OR 200 [8.00] MIN. NON-REINFORCED 28 MPa [4000 PSI] P.C. CONCRETE ROADWAY. MEASURING AT LEAST 3.66 m [12'-0"] WIDE BY 15.24 m [50'-0"] LONG. ANCHOR BLOCK IS NOT REQUIRED WHEN USING 8" CONCRETE PAD INSTALLED AGAINST AN IMMOVABLE STRUCTURE SUCH AS A CONCRETE WALL OR ABUTMENT.
- SEE THE "QUADGUARD M WIDE SYSTEM PRODUCT MANUAL" FOR A DESCRIPTION OF ITS IMPACT PERFORMANCE CHARACTERISTICS AND DESIGN LIMITATIONS BEFORE PLACING A SYSTEM AT A GIVEN SITE. INFORMATION AND COPIES OF ABOVE MANUAL ARE AVAILABLE BY CALLING CUSTOMER SERVICE DEPARTMENT AT (888) 323-6374.
- WHERE NECESSARY, THE CUSTOMER SHALL SUPPLY AN ADEQUATE TRANSITION FROM THE QUADGUARD M WIDE SYSTEM TO THE OBJECT BEING SHIELDED.
- BACKUP, MONORAIL, NOSE, AND TRANSITION ASSEMBLIES ARE NOT INCLUDED IN MODEL NUMBER, ORDER SEPARATELY. TRANSITIONS AND HARDWARE ARE ACCESSORY ITEMS.
- THE QUADGUARD M WIDE SYSTEM HAS BEEN TESTED TO MASH TEST LEVEL 3.
- THE TRANSITION PANEL SHALL BE ANGLED SUCH THAT MAXIMUM GAP FROM FENDER PANEL OVERLAP DOES NOT EXCEED 25 [1.00]. ANGLE TO BE 5° MAXIMUM WITH RESPECT TO THE SIDE OF THE SYSTEM. FINAL ALIGNMENT TO BE DETERMINED BY PROJECT ENGINEER.

REFERENCES:

SERIAL NO. _____

SALES ORDER _____

EH PROJECT _____

DESIGN SPEED _____ SEE TABLE

NOSE TYPE _____

NO. OF UNITS _____

KEY:

① CARTRIDGE

② DIAPHRAGM

③ FENDER PANEL

④ MONORAIL

⑤ NOSE ASSEMBLY

⑥ BACKUP

⑦ END SHOE

QUADGUARD® M WIDE SYSTEM
W/ TENSION STRUT BACKUP AND END SHOES

DATE: 4/29/2020

BY: D. Kohfeld

CHECKED BY: B. Eckert

DATE: 5/14/2020

PROJECT: QFMTSCVR-ESLR.dwg

SCALE: DO NOT SCALE DRAWING

DATE: 4/29/2020

BY: D. Kohfeld

CHECKED BY: B. Eckert

DATE: 5/14/2020

PROJECT: QFMTSCVR-ESLR.dwg

SCALE: DO NOT SCALE DRAWING

1 of 1

QFMTSCVR-ESLR

NOTES:

NOTES:



www.ingalcivil.com.au
sales@ingalcivil.com.au
1300 446 425



TRINITY
HIGHWAY
Ahead of the Curve[®]

For more complete information on Trinity Highway products and services, visit us on the web at www.trinityhighway.com. Materials and specifications are subject to change without notice. Please contact Trinity Highway to confirm that you are referring to the most current instructions.

www.trinityhighway.com

888.323.6374 (USA) +1 214.589.8140 (International)