

Origination Form
Proposed Revisions to a Standard Plans Index

Originator:	Gibbs, Shae	Index Number:	646-001
Date:	9/4/2025	Sheet Number(s):	1
E-mail:	shae.gibbs@dot.state.fl.us	Index Title:	Aluminum Post and Pedestal Mounted Pedestrian Detectors and Signals

Summary of the changes:

Sheet 1: Added Note 7 "For pedestal mounted signals, route and terminate the grounding electrode conductor to a ground lug within the transformer base."

Commentary/Background:

This note was added to correspond with Standard Plans Index 653-001 in coordination with the TERL.

Other Affected Documents/Offices	Person Contacted	Affected (Yes/No)
Other Standard Plans		No
FDOT Design Manual		No
Standard Specifications		No
Basis of Estimates Manual		No
Approved Product List		No
Construction Office		No
Maintenance Office		No

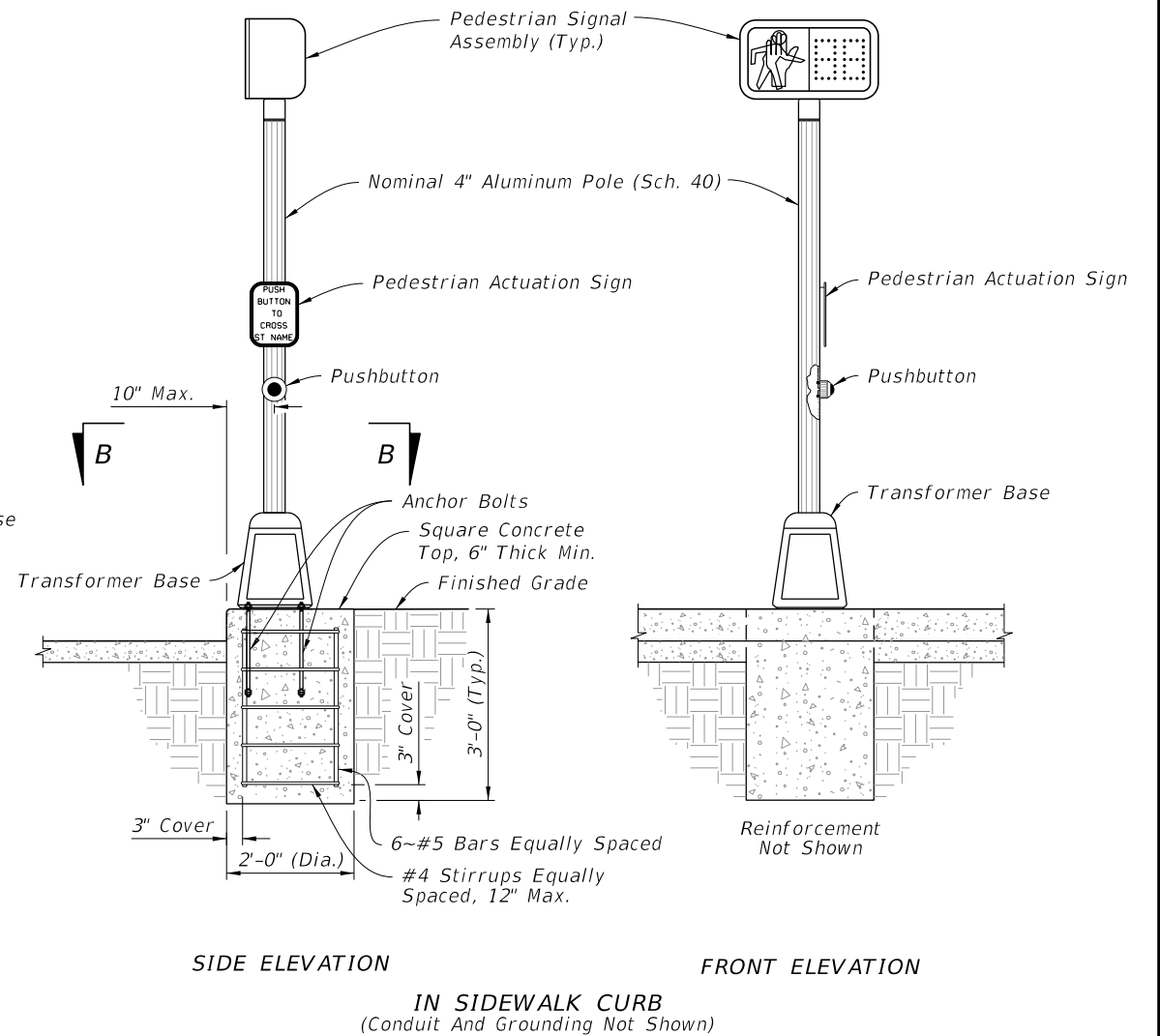
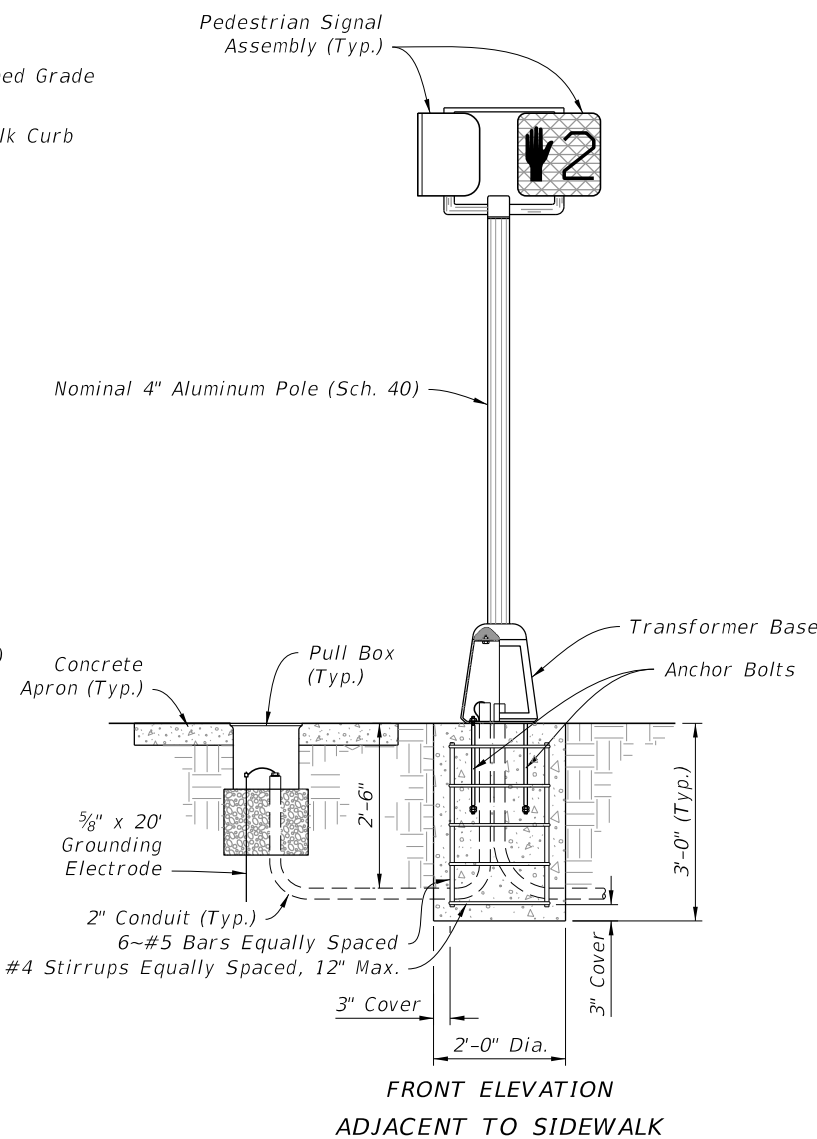
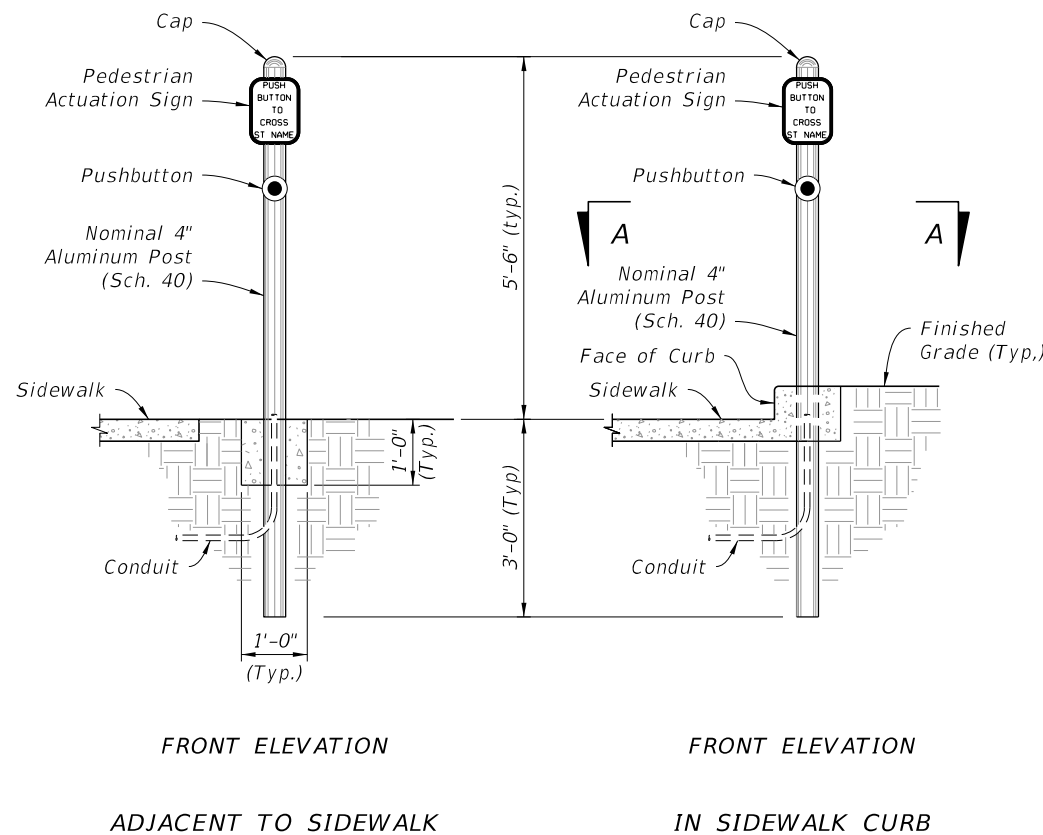
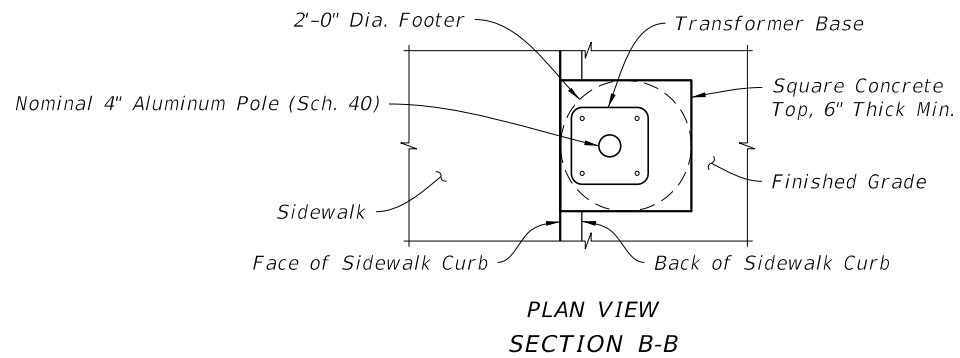
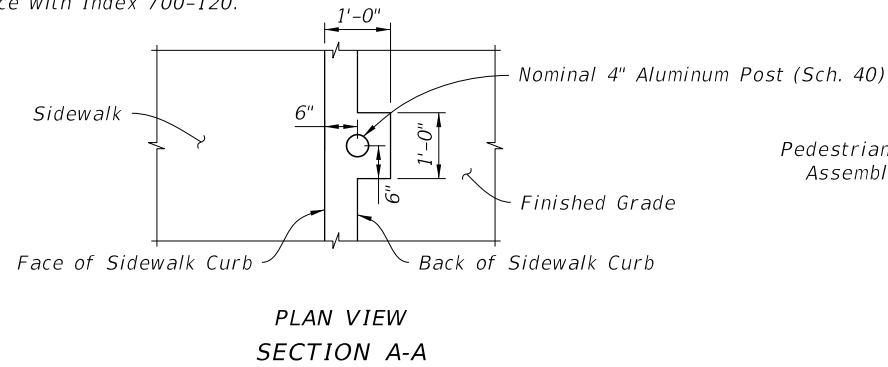
Implementation

FY 2027-28

NOTES:

1. Work this Index with Specification 646.
2. For Pedestrian Signals see Index 653-001.
3. For Pedestrian Detector Assembly (i.e., Pushbutton and Sign) details see Index 665-001.
4. Footing may be Cast-In-Place (C-I-P) or Precast.
5. As an alternative to the direct buried "Post Mounted" Pedestrian Detector Assembly shown below, the post may be installed on a transformer base. Use a transformer base included on the APL approved as an alternative to a "Post Mounted" assembly.
6. In lieu of footing design shown, a Spread Footing may be used in accordance with Index 700-120.

7. For pedestal mounted signals, route and terminate the grounding electrode conductor to a ground lug within the transformer base.



POST MOUNTED

PEDESTAL MOUNTED

2027-28

FY ~~2026-27~~
STANDARD PLANS



ALUMINUM POST AND PEDESTAL MOUNTED
PEDESTRIAN DETECTORS AND SIGNALS

INDEX
646-001

SHEET
1 of 1

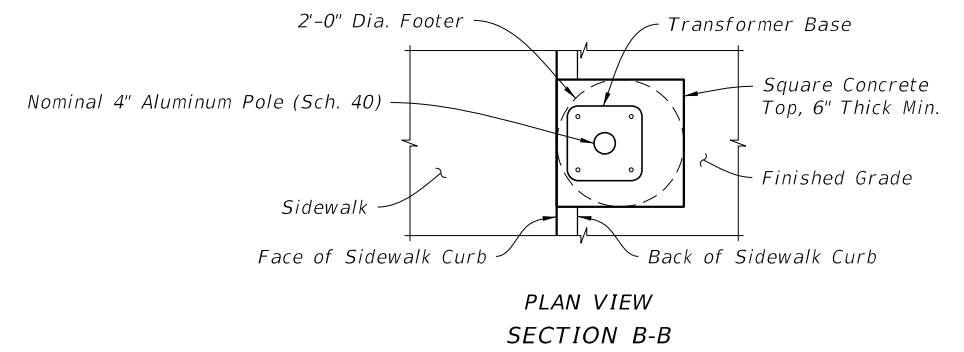
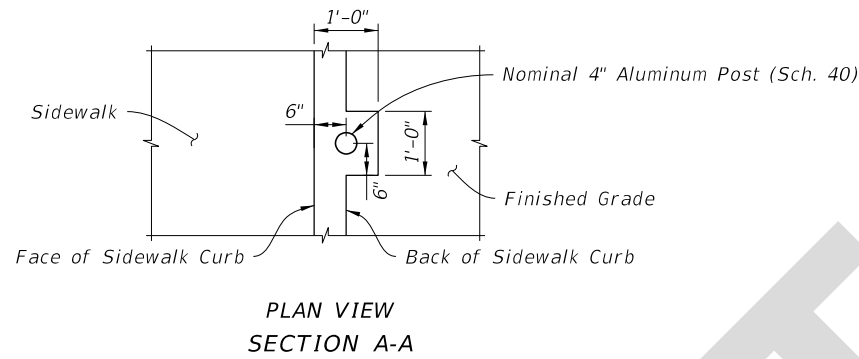
9/26/2025 3:12:13 PM

LAST REVISION
~~11/01/23~~

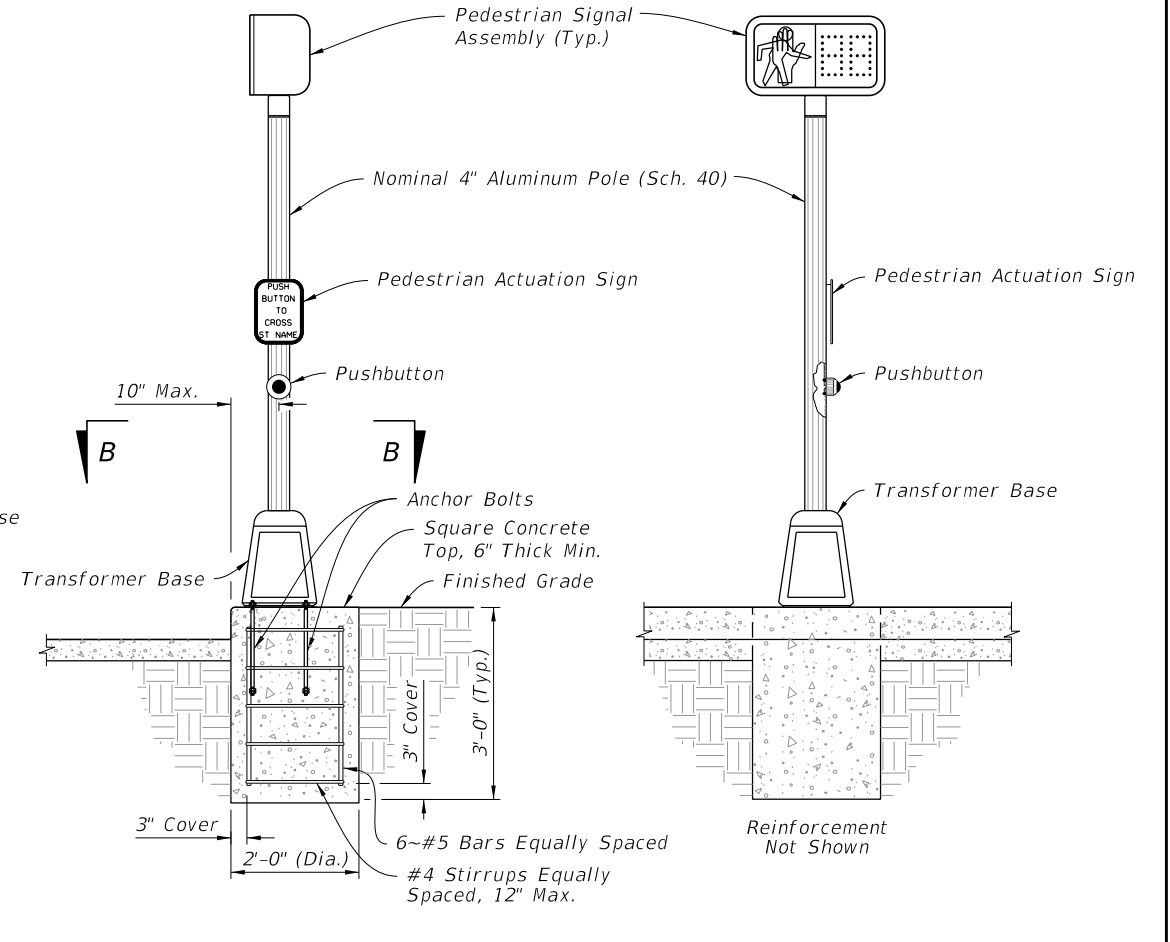
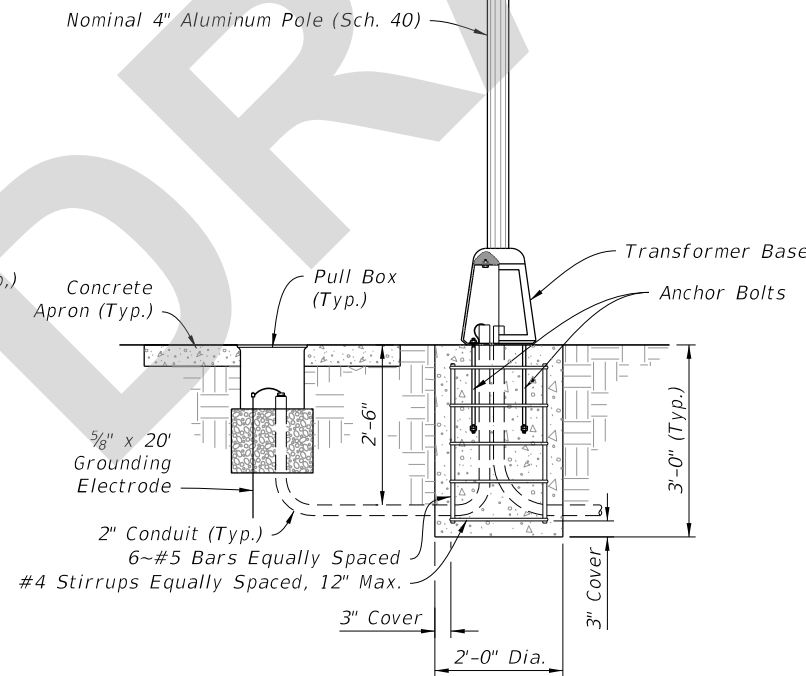
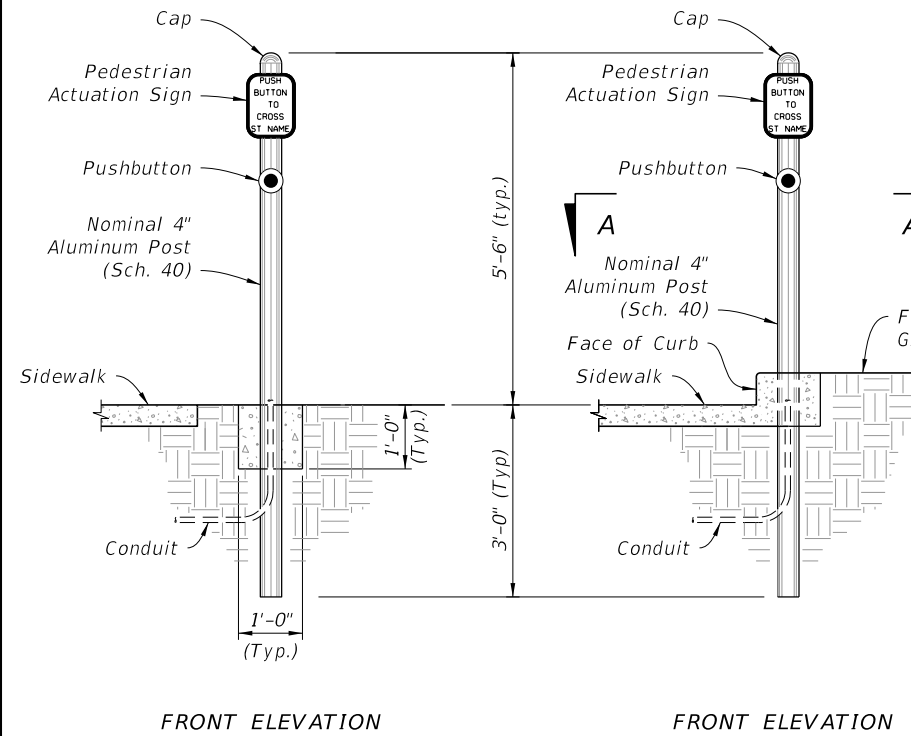
DESCRIPTION:
11/01/26

NOTES:

1. Work this Index with Specification 646.
2. For Pedestrian Signals see Index 653-001.
3. For Pedestrian Detector Assembly (i.e., Pushbutton and Sign) details see Index 665-001.
4. Footing may be Cast-In-Place (C-I-P) or Precast.
5. As an alternative to the direct buried "Post Mounted" Pedestrian Detector Assembly shown below, the post may be installed on a transformer base. Use a transformer base included on the APL approved as an alternative to a "Post Mounted" assembly.
6. In lieu of footing design shown, a Spread Footing may be used in accordance with Index 700-120.
7. For pedestal mounted signals, route and terminate the grounding electrode conductor to a ground lug within the transformer base.




Pedestrian Signal Assembly (Typ.)



POST MOUNTED

PEDESTAL MOUNTED

5/4/2026 1:21:23 PM

LAST REVISION 11/01/26	REVISION	DESCRIPTION:		FY 2027-28 STANDARD PLANS	ALUMINUM POST AND PEDESTAL MOUNTED PEDESTRIAN DETECTORS AND SIGNALS	INDEX 646-001	SHEET 1 of 1
---------------------------	----------	--------------	---	------------------------------	--	------------------	-----------------