

**Origination Form**  
 Proposed Revisions to a Standard Plans Index

<b>Originator:</b>	Gibbs, Shae	<b>Index Number:</b>	646-001
<b>Date:</b>	9/4/2025	<b>Sheet Number(s):</b>	1
<b>E-mail:</b>	shae.gibbs@dot.state.fl.us	<b>Index Title:</b>	Aluminum Post and Pedestal Mounted Pedestrian Detectors and Signals

**Summary of the changes:**

Sheet 1: Added Note 7 "For pedestal mounted signals, route and terminate the grounding electrode conductor to a ground lug within the transformer base."

**Commentary/Background:**

This note was added to correspond with Standard Plans Index 653-001 in coordination with the TERL.

Other Affected Documents/Offices	Person Contacted	Affected (Yes/No)
Other Standard Plans		No
FDOT Design Manual		No
Standard Specifications		No
Basis of Estimates Manual		No
Approved Product List		No
Construction Office		No
Maintenance Office		No

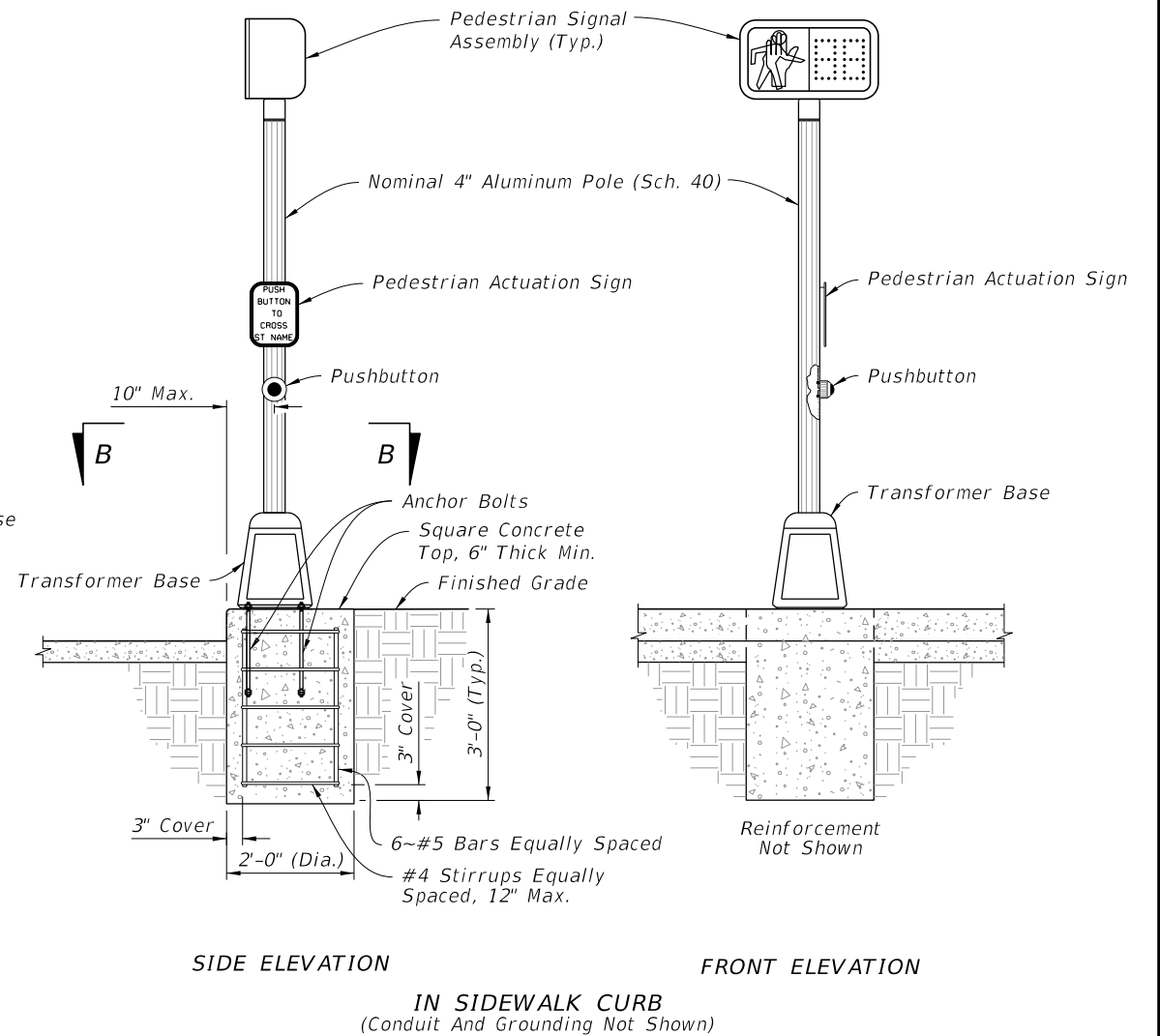
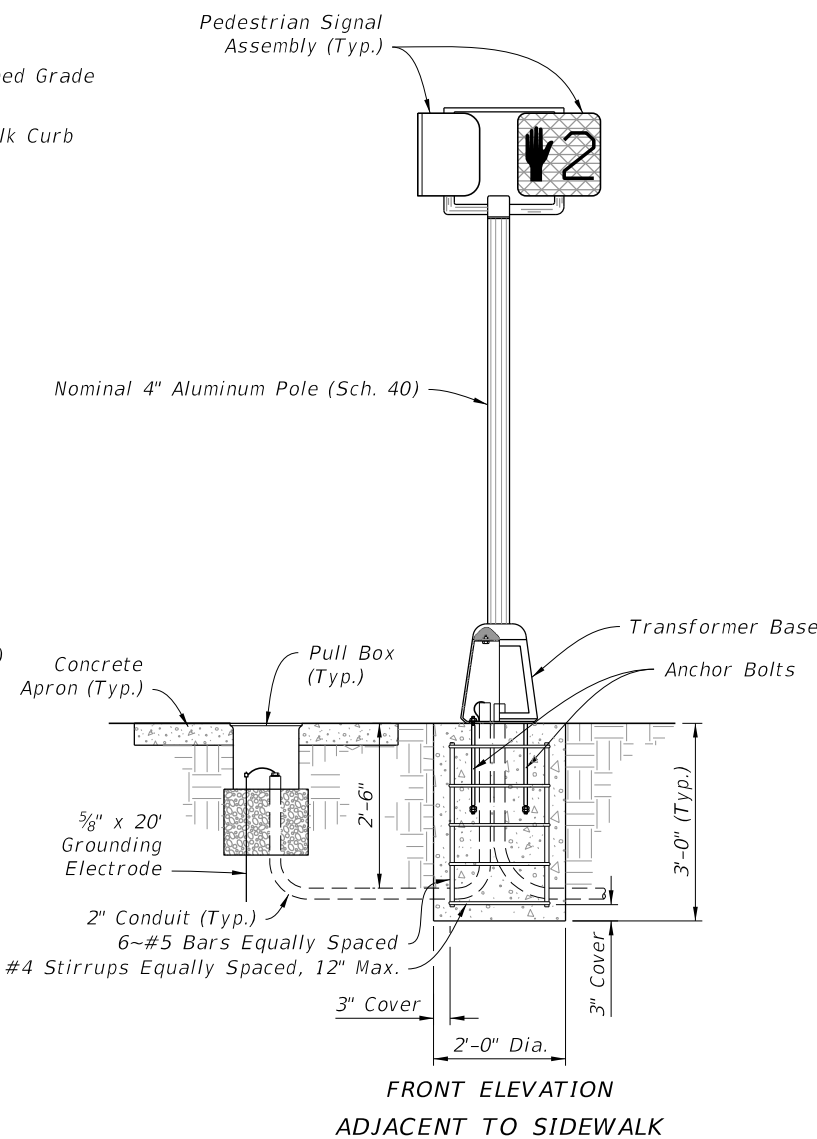
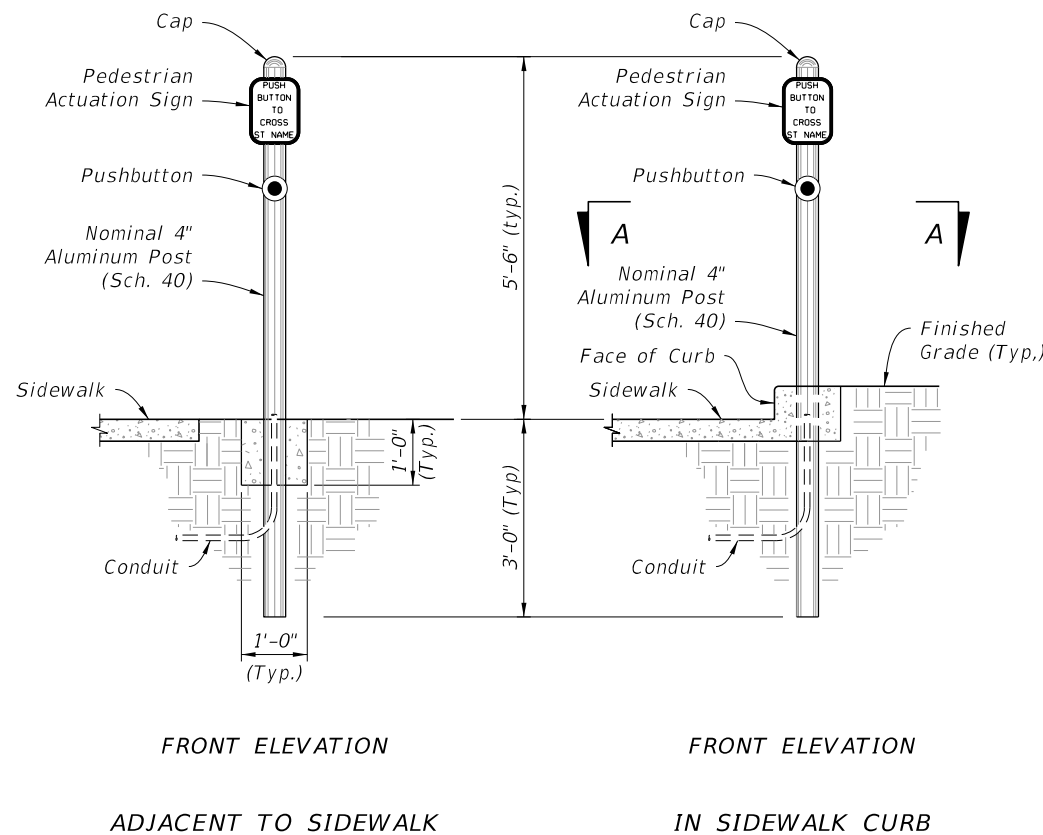
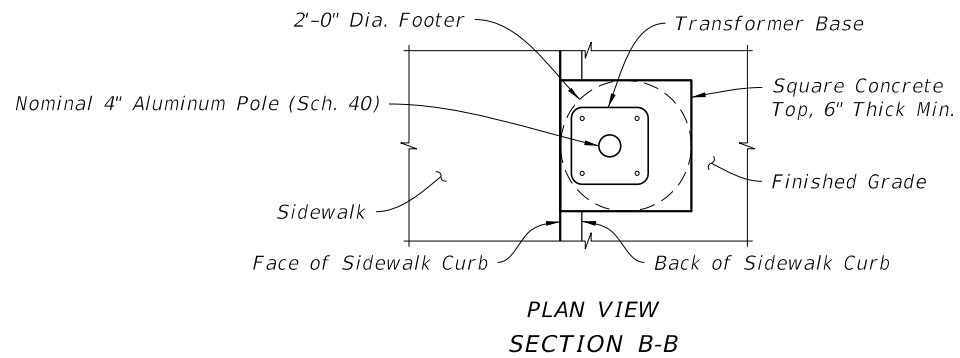
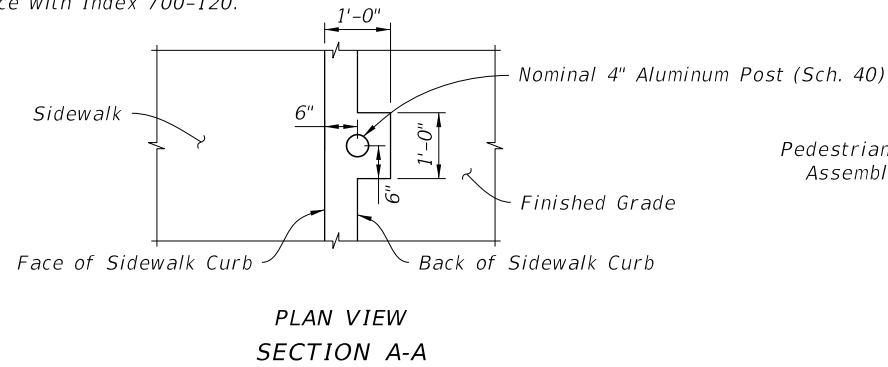
**Implementation**

FY 2027-28

**NOTES:**

1. Work this Index with Specification 646.
2. For Pedestrian Signals see Index 653-001.
3. For Pedestrian Detector Assembly (i.e., Pushbutton and Sign) details see Index 665-001.
4. Footing may be Cast-In-Place (C-I-P) or Precast.
5. As an alternative to the direct buried "Post Mounted" Pedestrian Detector Assembly shown below, the post may be installed on a transformer base. Use a transformer base included on the APL approved as an alternative to a "Post Mounted" assembly.
6. In lieu of footing design shown, a Spread Footing may be used in accordance with Index 700-120.

**7. For pedestal mounted signals, route and terminate the grounding electrode conductor to a ground lug within the transformer base.**



POST MOUNTED

PEDESTAL MOUNTED

**2027-28**

FY ~~2026-27~~  
STANDARD PLANS



ALUMINUM POST AND PEDESTAL MOUNTED  
PEDESTRIAN DETECTORS AND SIGNALS

INDEX  
646-001

SHEET  
1 of 1

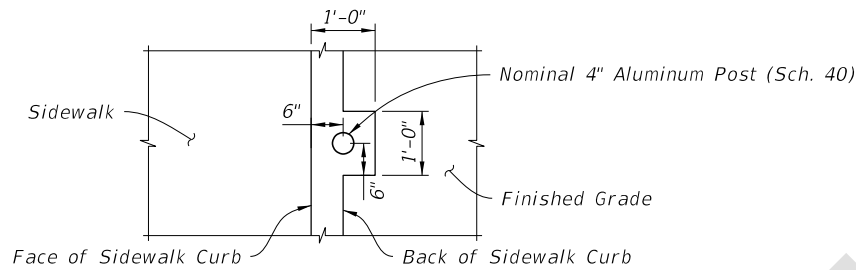
9/26/2025 3:12:13 PM

LAST REVISION  
~~11/01/23~~

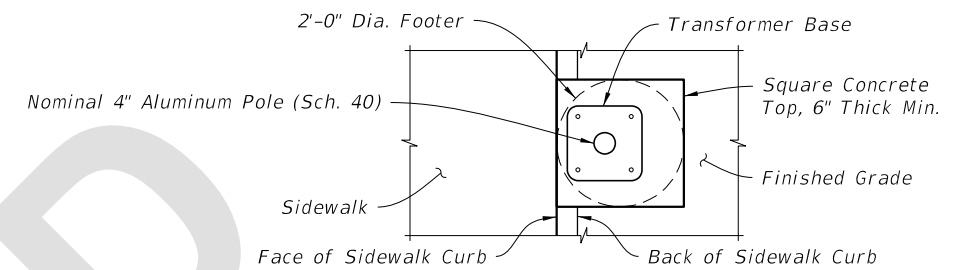
DESCRIPTION:  
REVISION  
**11/01/26**

**NOTES:**

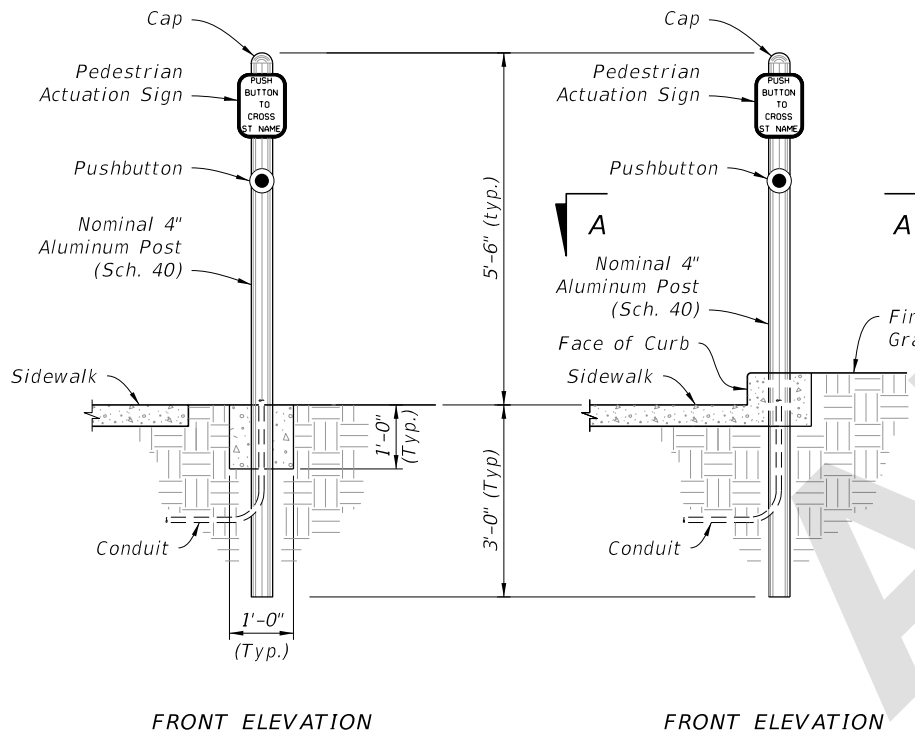
1. Work this Index with Specification 646.
2. For Pedestrian Signals see Index 653-001.
3. For Pedestrian Detector Assembly (i.e., Pushbutton and Sign) details see Index 665-001.
4. Footing may be Cast-In-Place (C-I-P) or Precast.
5. As an alternative to the direct buried "Post Mounted" Pedestrian Detector Assembly shown below, the post may be installed on a transformer base. Use a transformer base included on the APL approved as an alternative to a "Post Mounted" assembly,
6. In lieu of footing design shown, a Spread Footing may be used in accordance with Index 700-120.
7. For pedestal mounted signals, route and terminate the grounding electrode conductor to a ground lug within the transformer base.



PLAN VIEW SECTION A-A



PLAN VIEW SECTION B-B

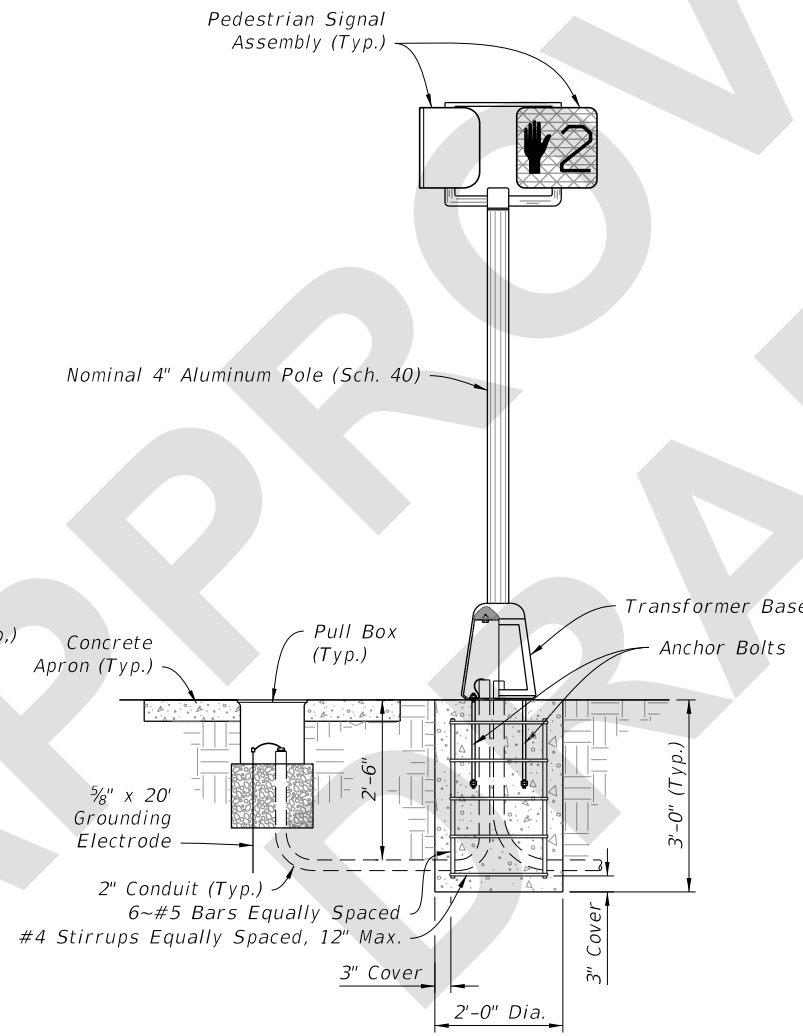


FRONT ELEVATION

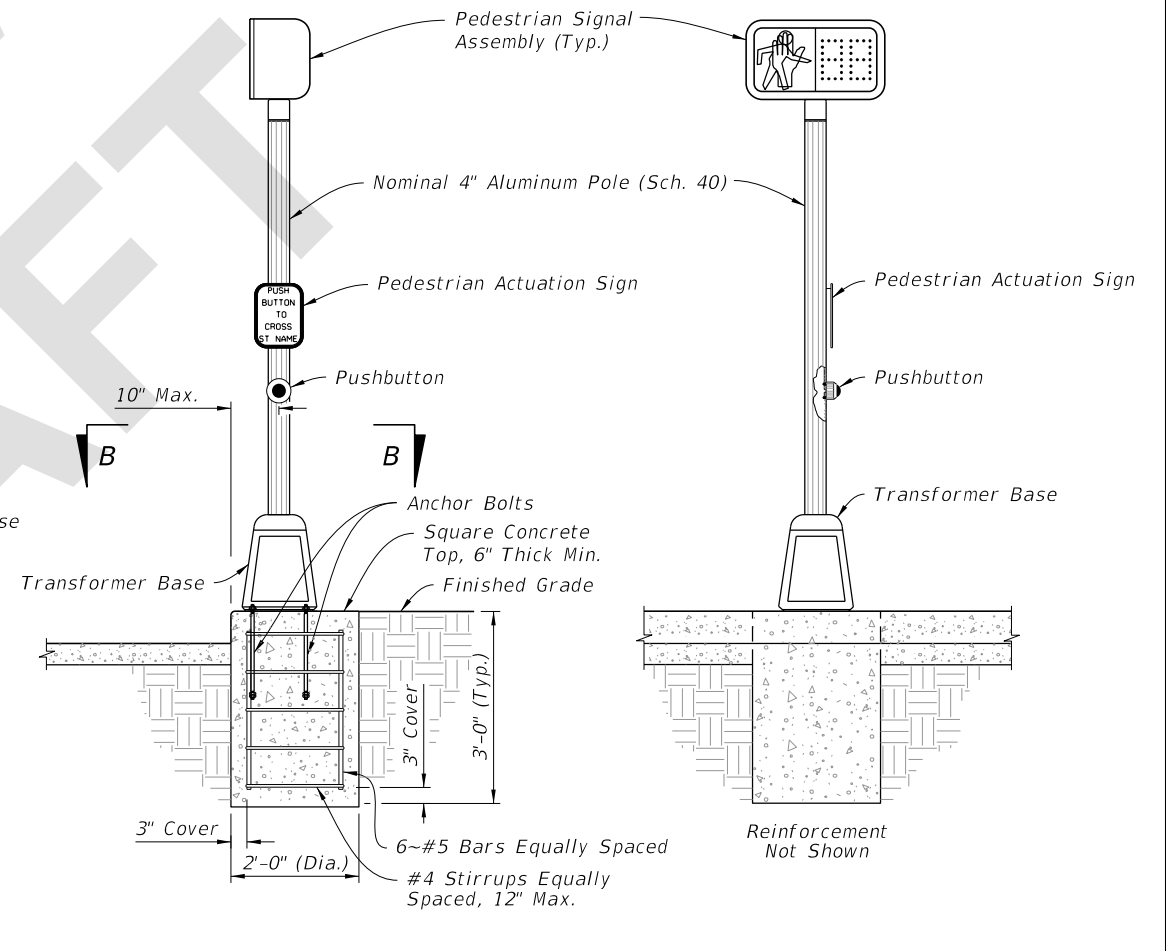
ADJACENT TO SIDEWALK

FRONT ELEVATION

IN SIDEWALK CURB



FRONT ELEVATION ADJACENT TO SIDEWALK



SIDE ELEVATION

FRONT ELEVATION

IN SIDEWALK CURB  
(Conduit And Grounding Not Shown)

POST MOUNTED

PEDESTAL MOUNTED

1:21:23 PM  
5/4/2026

LAST REVISION	DESCRIPTION:
11/01/26	



FY 2027-28  
STANDARD PLANS

ALUMINUM POST AND PEDESTAL MOUNTED  
PEDESTRIAN DETECTORS AND SIGNALS

INDEX  
646-001

SHEET  
1 of 1