

Origination Form
Proposed Revisions to a Standard Plans Index

Originator:	Turley, Joshua	Index Number:	700-091
Date:	4/23/2025	Sheet Number(s):	Sheet 2
E-mail:	Joshua.Turley@dot.state.fl.us	Index Title:	CATWALK DETAILS

Summary of the changes:

Sheet 2: Changed the weld size for the tube to tube connections of the guardrail.

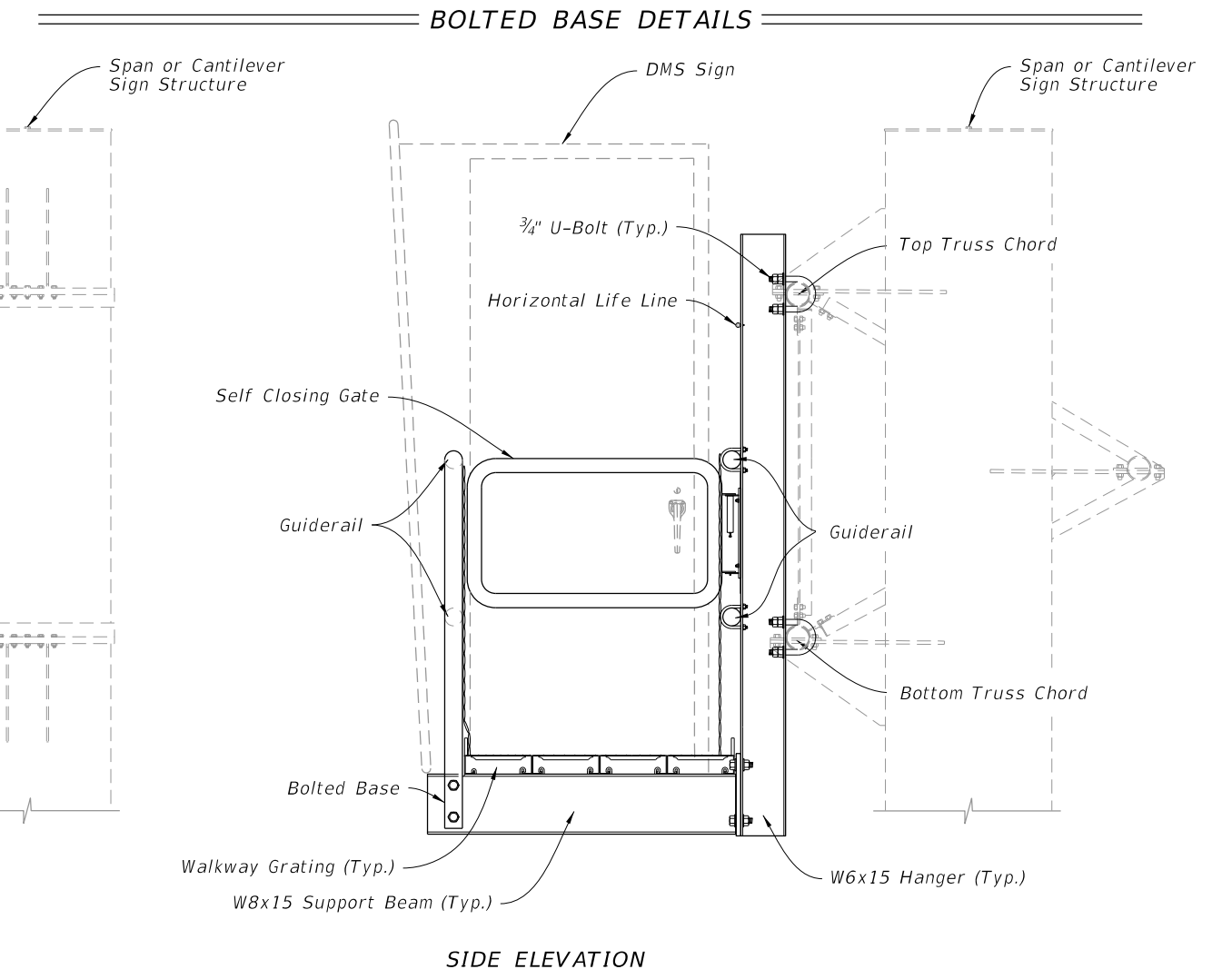
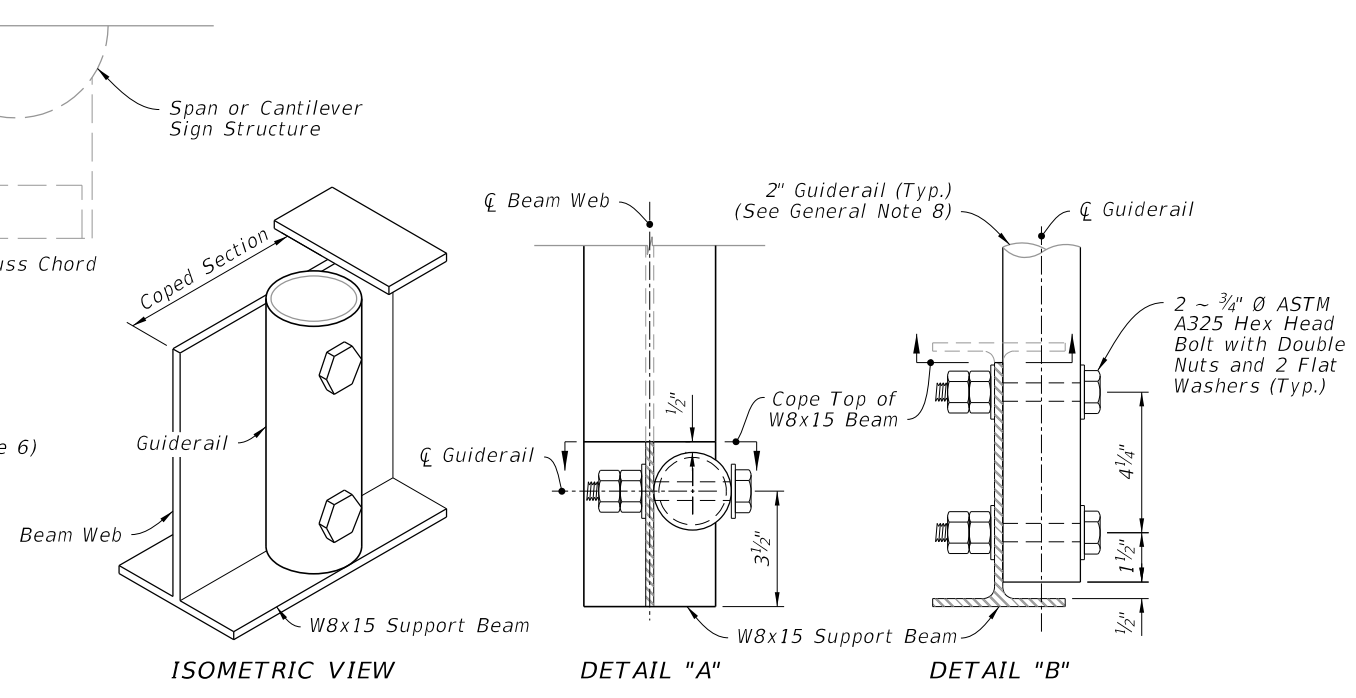
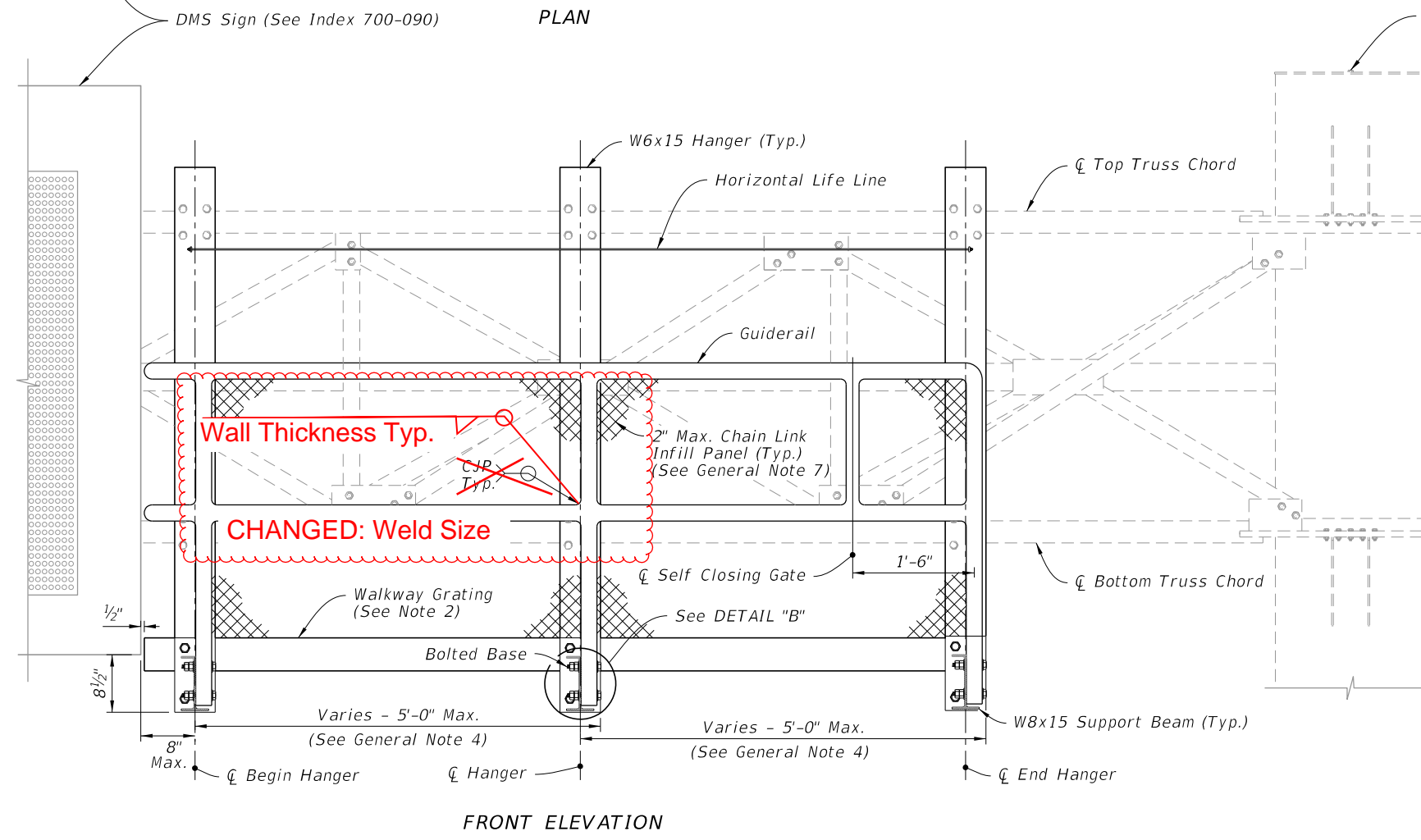
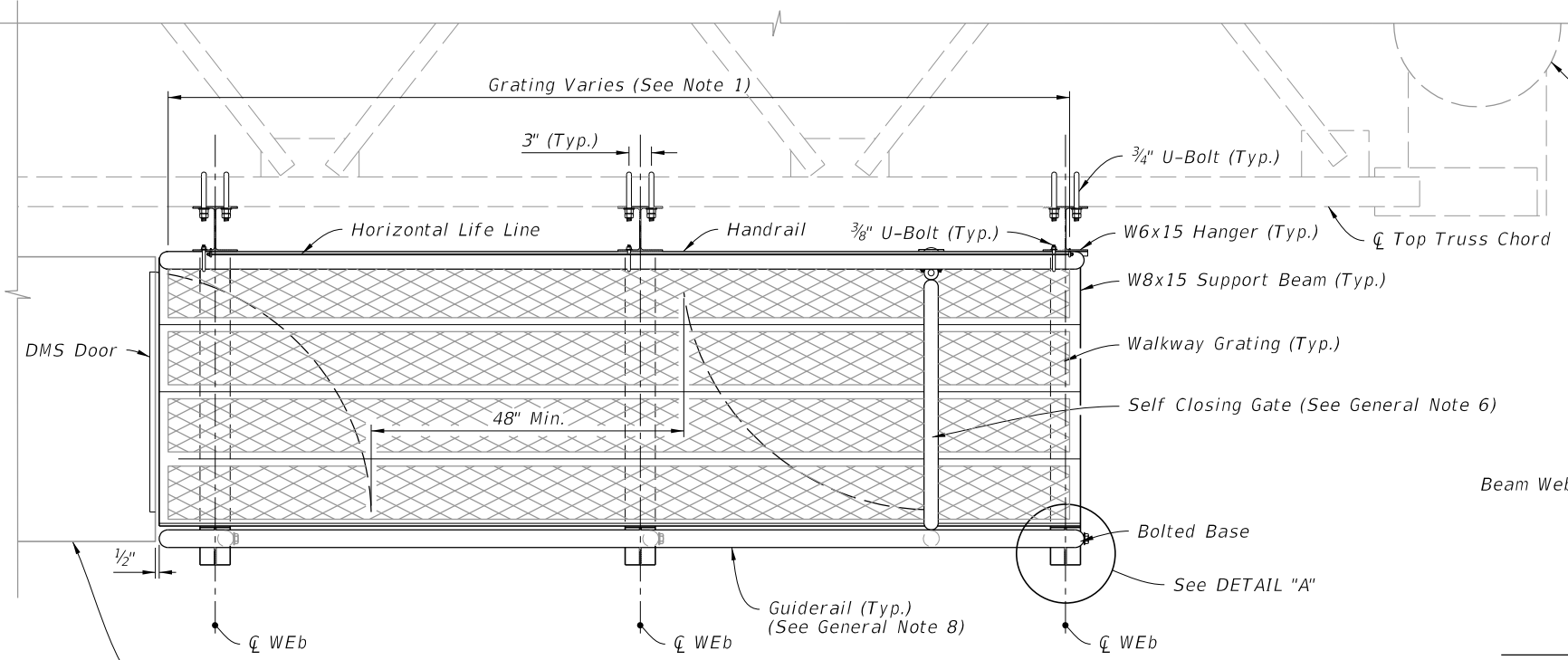
Commentary/Background:

The original weld size was overly conservative and not cost-effective. After analysis, the Structures Office specified a more appropriate weld for this index.

Other Affected Documents/Offices	Person Contacted	Affected (Yes/No)
Other Standard Plans		No
FDOT Design Manual		No
Standard Specifications		No
Basis of Estimates Manual		No
Approved Product List		No
Construction Office		No
Maintenance Office		No

Implementation

["FY-Standard Plans (Next Release)"]



GENERAL ASSEMBLY

GENERAL ASSEMBLY AND FIXED BASE DETAILS

- NOTES:**
 1. See manufacturer details for walkway planks and bolting criteria.
 2. Fasten securely. See grating manufactures details.

2026-27

FY ~~2025-26~~
 STANDARD PLANS

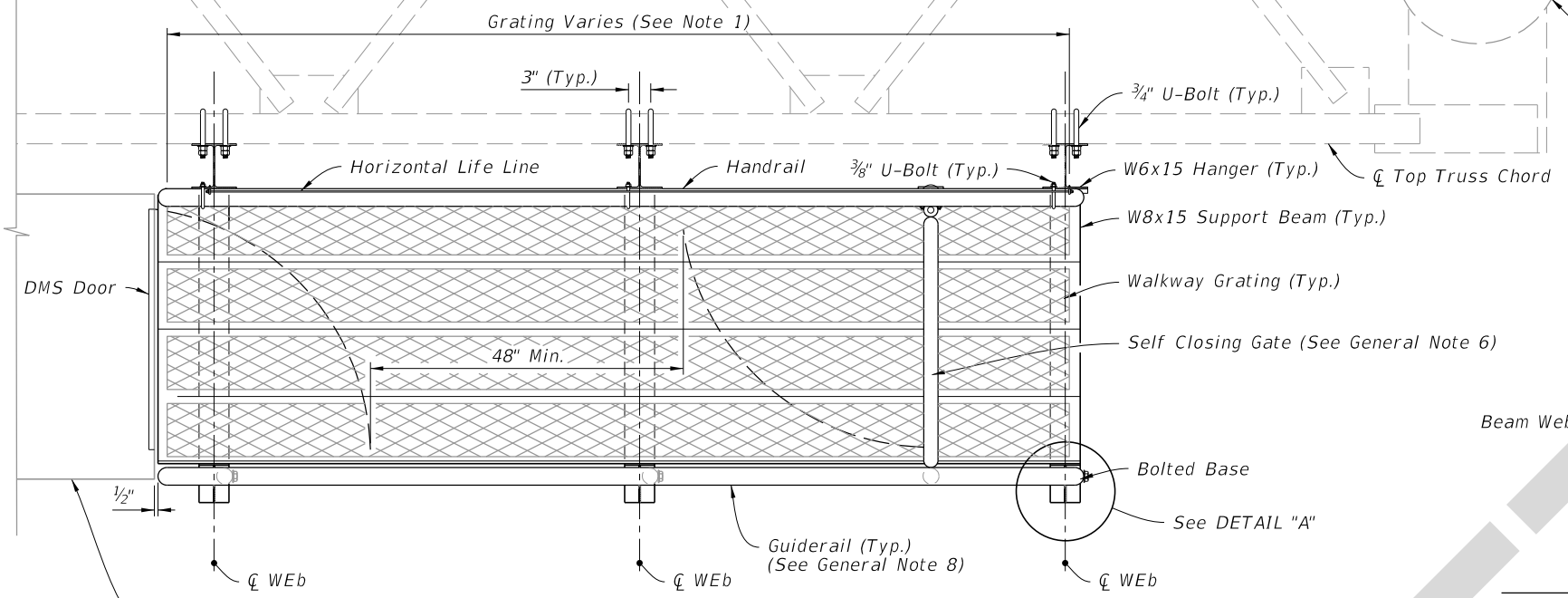


CATWALK DETAILS

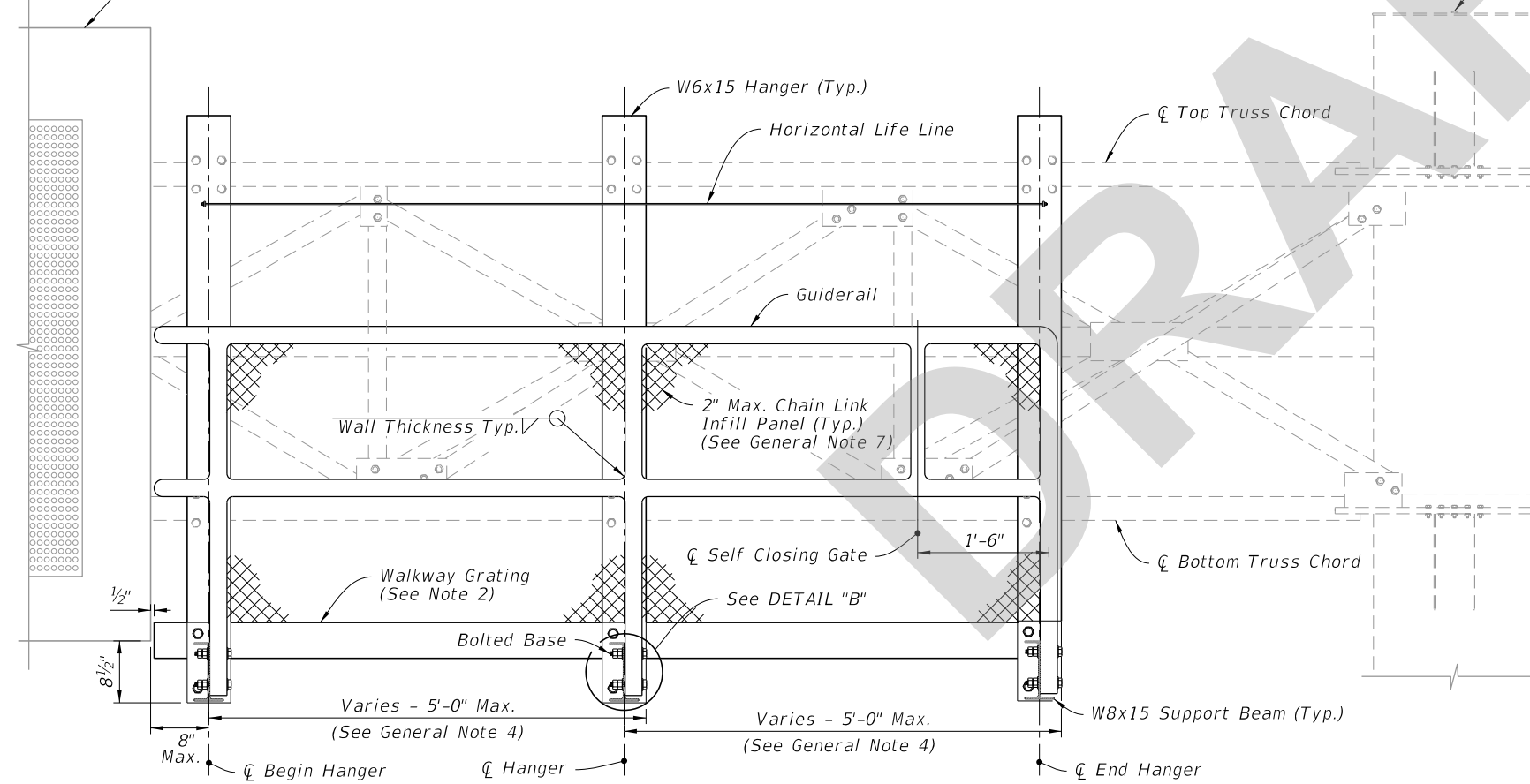
INDEX SHEET
 700-091 2 of 3

9/10/2024 2:48:34 PM

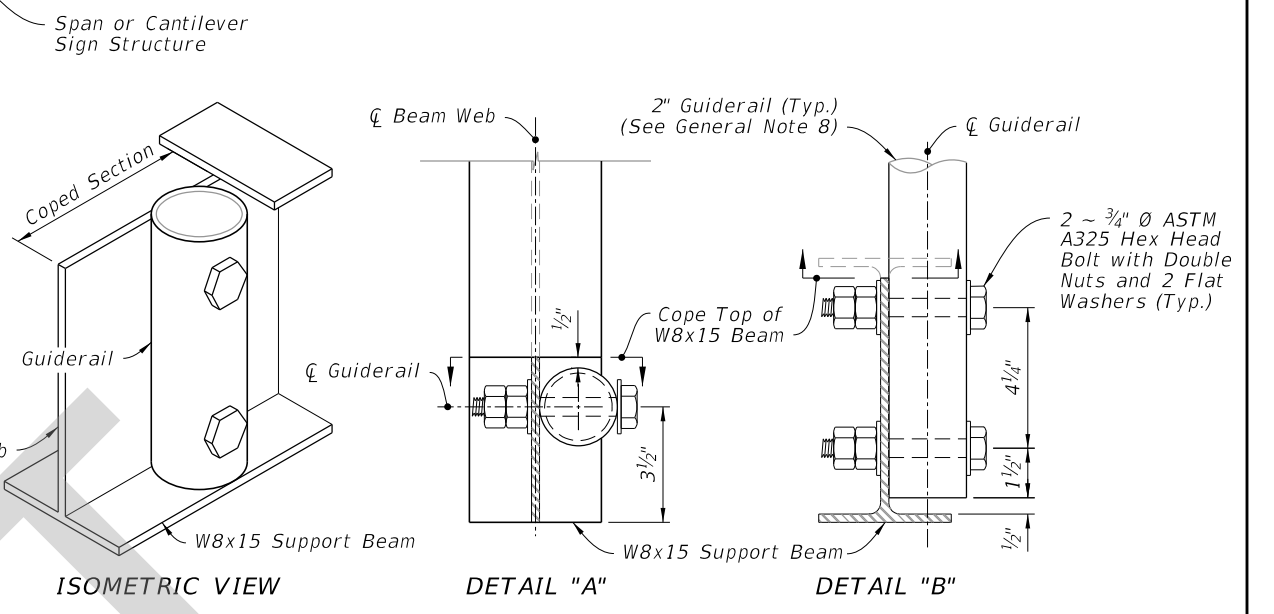
LAST REVISION	DESCRIPTION:
11/01/19	11/01/19
11/01/25	



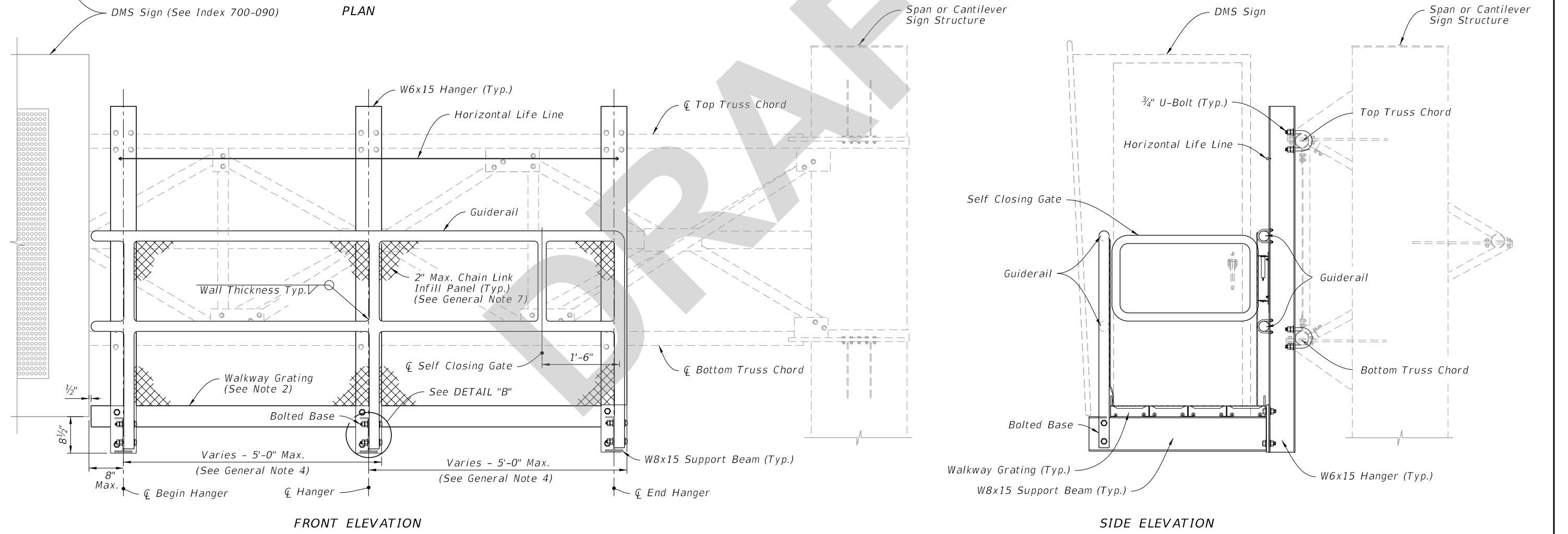
PLAN



FRONT ELEVATION



BOLTED BASE DETAILS



SIDE ELEVATION

GENERAL ASSEMBLY

- NOTES:**
1. See manufacturer details for walkway planks and bolting criteria.
 2. Fasten securely. See grating manufactures details.

GENERAL ASSEMBLY AND FIXED BASE DETAILS

5/11/2025 2:30:58 PM

LAST REVISION 11/01/25	REVISION	DESCRIPTION:		FY 2026-27 STANDARD PLANS	CATWALK DETAILS	INDEX 700-091	SHEET 2 of 3
---------------------------	----------	--------------	--	------------------------------	-----------------	------------------	-----------------