

**Origination Form**  
Proposed Revisions to a Standard Plans Index

<b>Originator:</b>	Turley, Joshua	<b>Index Number:</b>	700-091
<b>Date:</b>	4/23/2025	<b>Sheet Number(s):</b>	Sheet 2
<b>E-mail:</b>	Joshua.Turley@dot.state.fl.us	<b>Index Title:</b>	CATWALK DETAILS

**Summary of the changes:**

Sheet 2: Changed the weld size for the tube to tube connections of the guardrail.

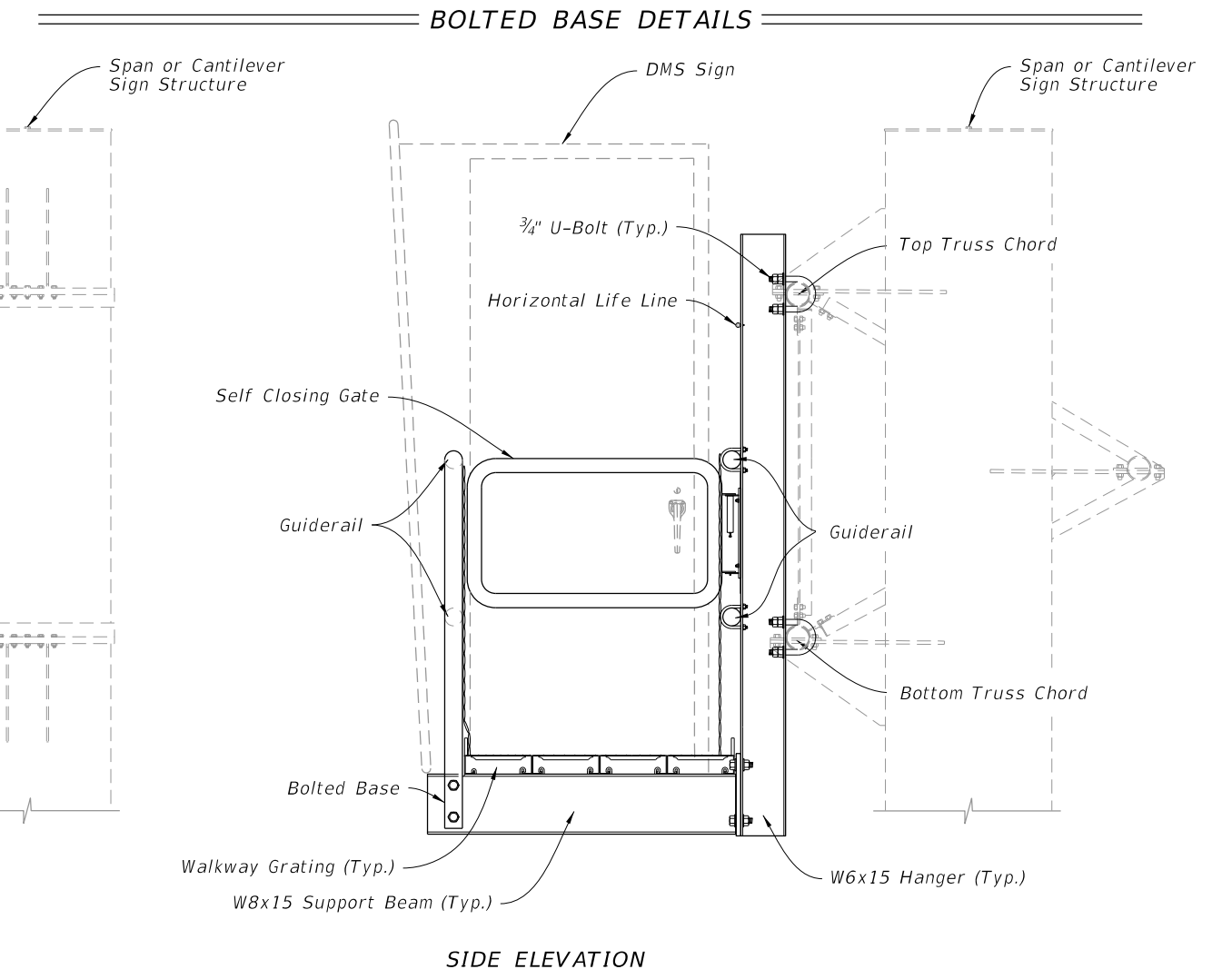
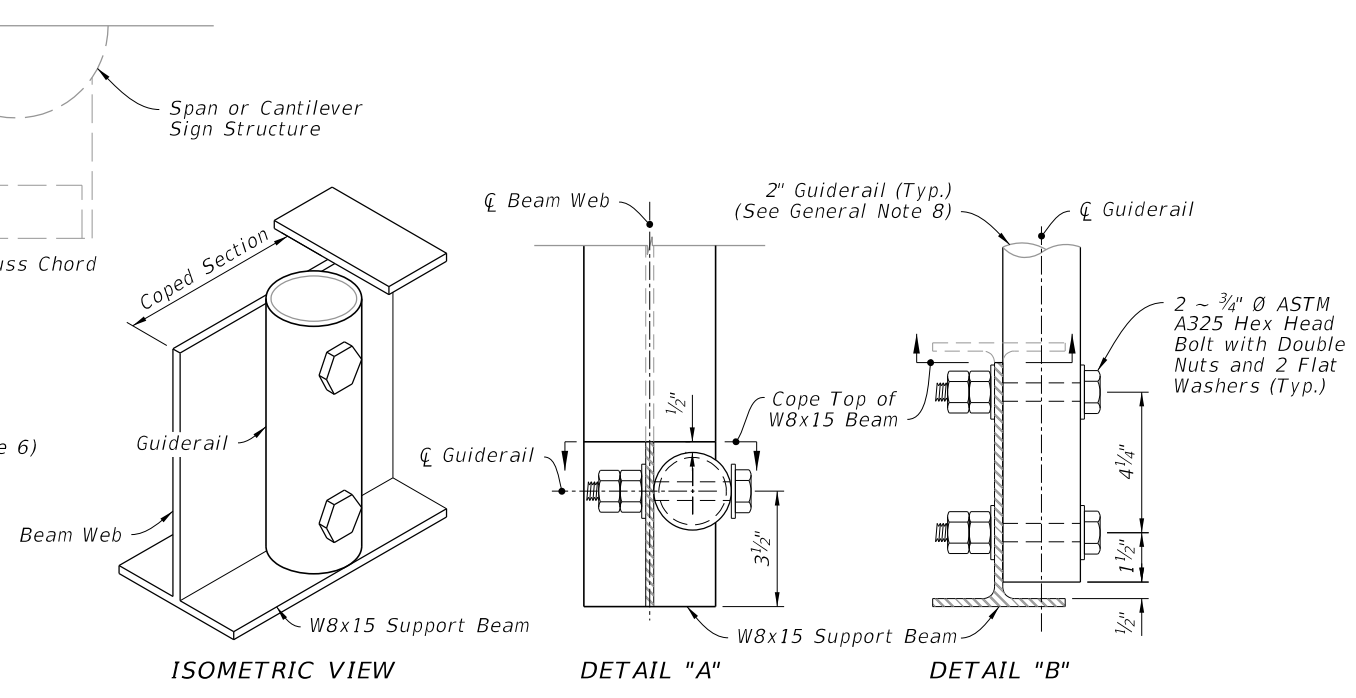
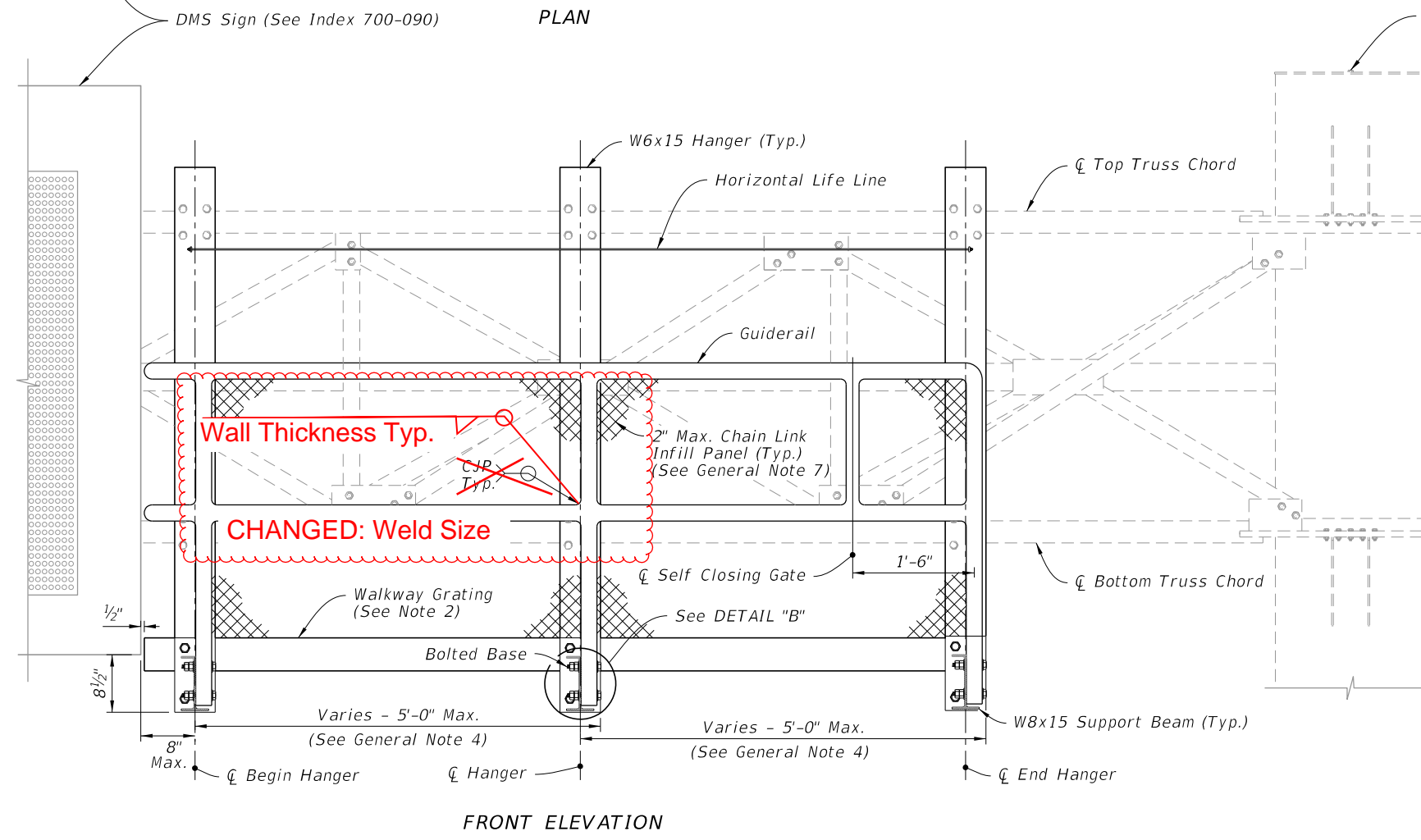
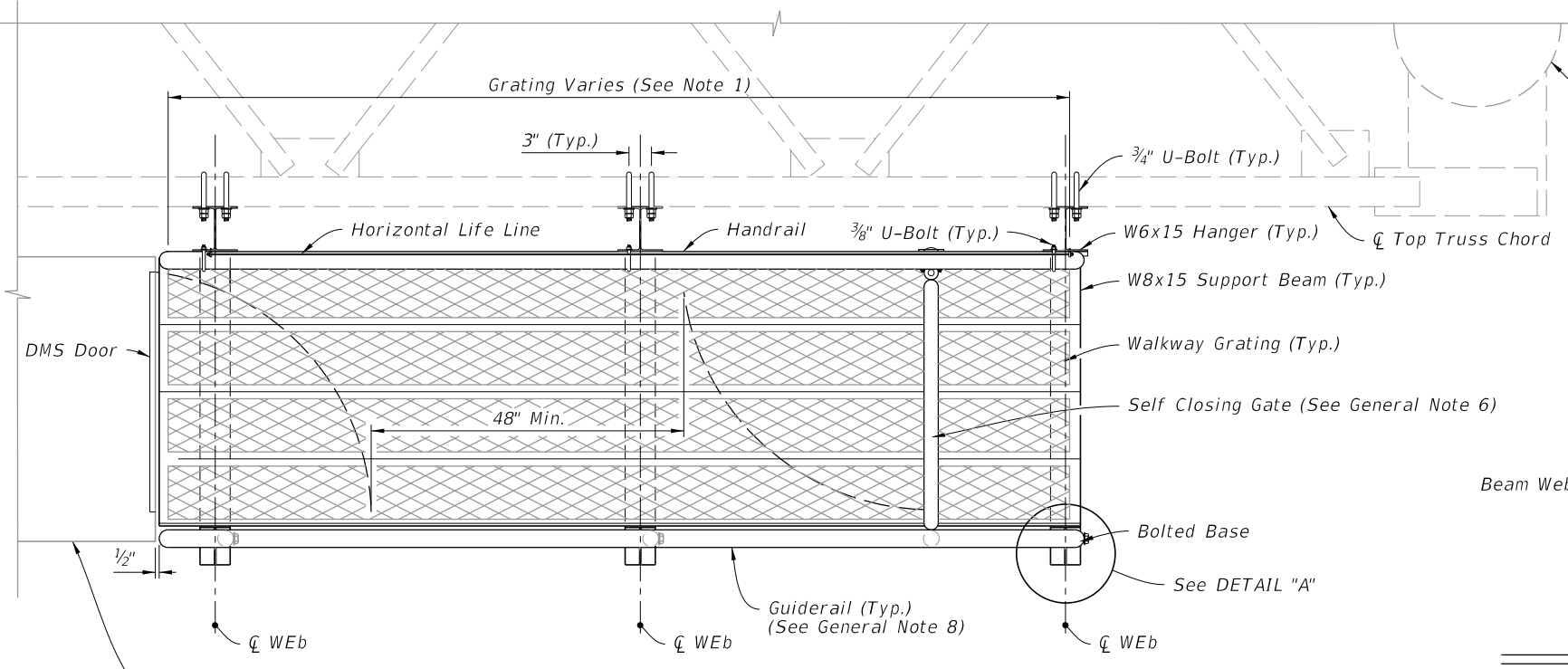
**Commentary/Background:**

The original weld size was overly conservative and not cost-effective. After analysis, the Structures Office specified a more appropriate weld for this index.

Other Affected Documents/Offices	Person Contacted	Affected (Yes/No)
Other Standard Plans		No
FDOT Design Manual		No
Standard Specifications		No
Basis of Estimates Manual		No
Approved Product List		No
Construction Office		No
Maintenance Office		No

**Implementation**

["FY-Standard Plans (Next Release)"]



GENERAL ASSEMBLY

GENERAL ASSEMBLY AND FIXED BASE DETAILS

- NOTES:**  
 1. See manufacturer details for walkway planks and bolting criteria.  
 2. Fasten securely. See grating manufactures details.

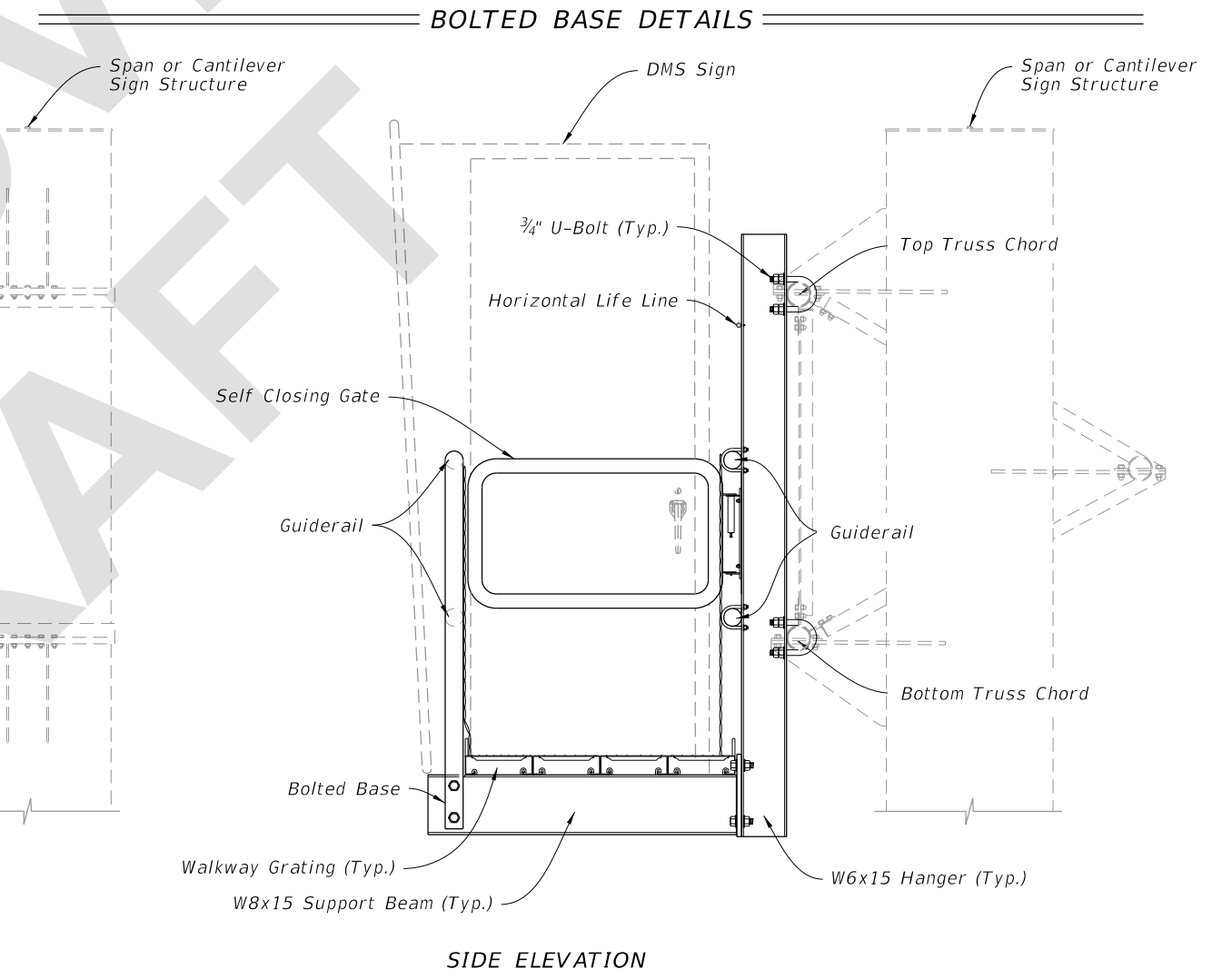
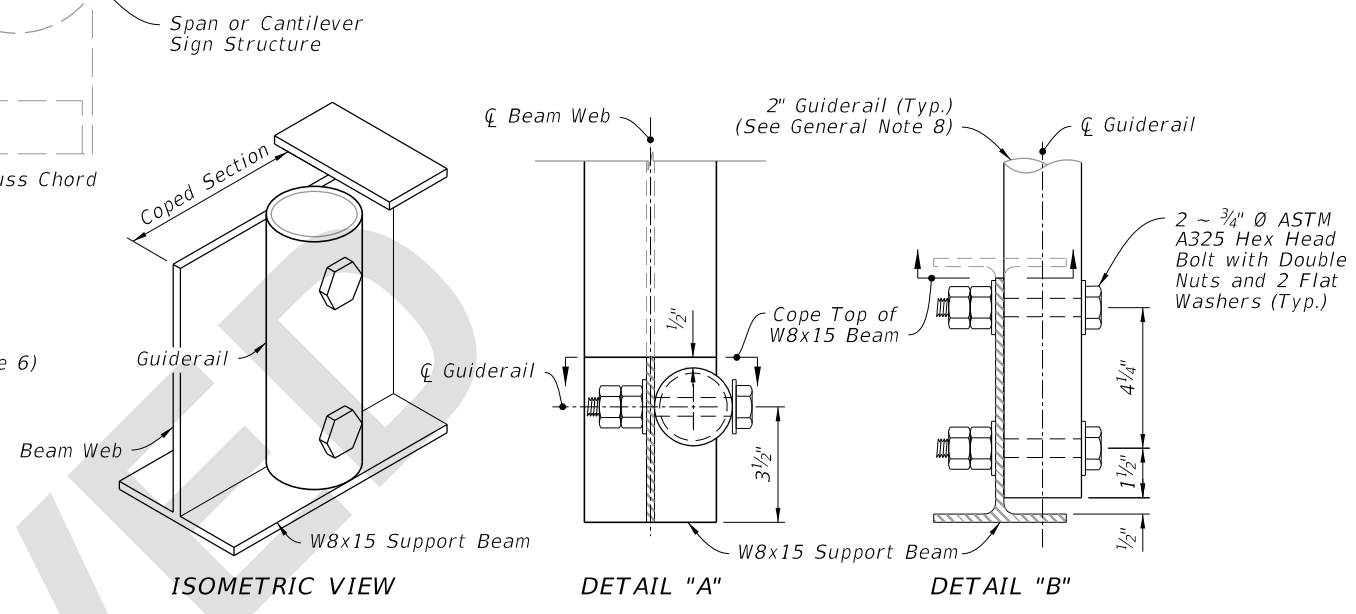
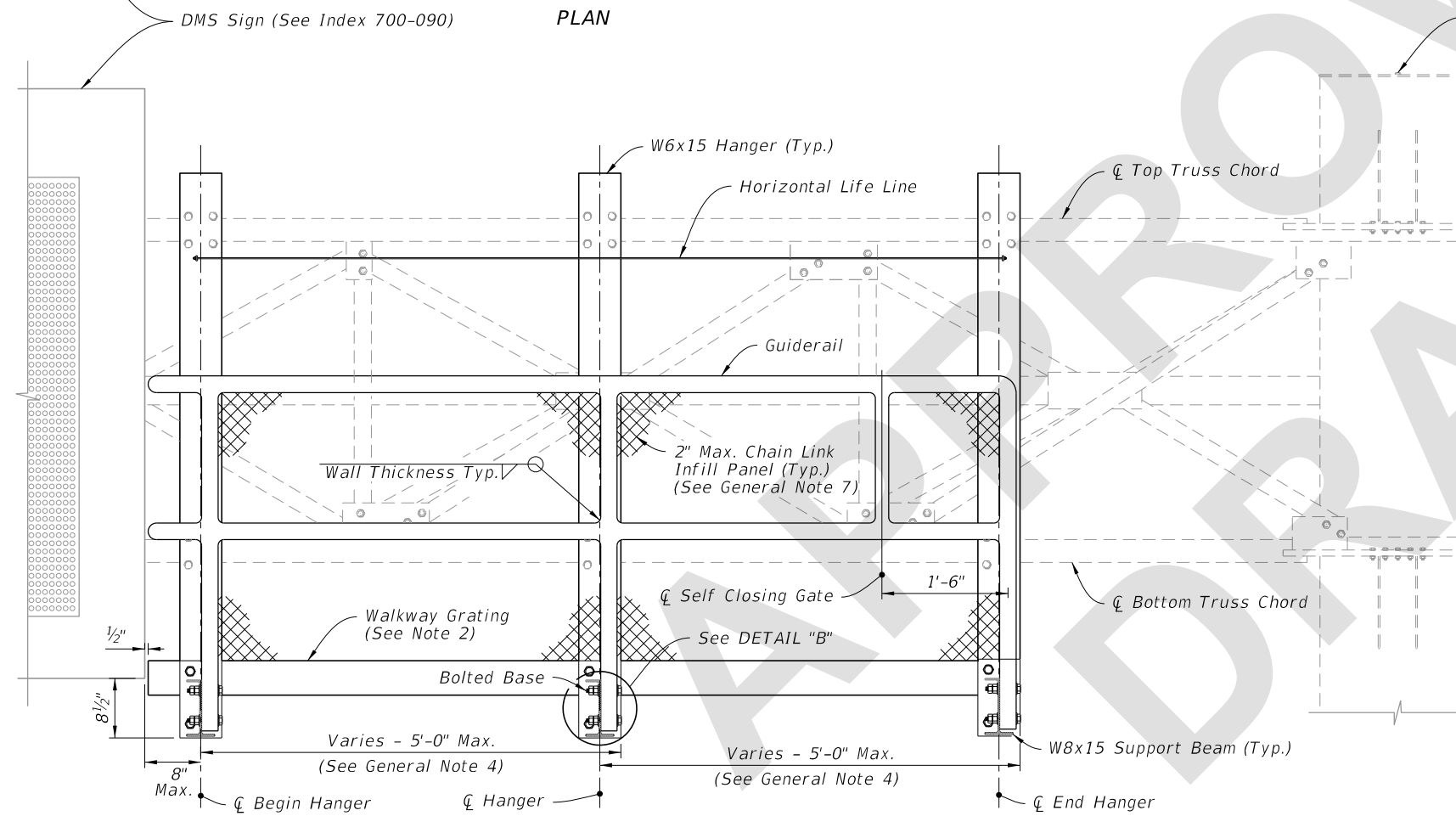
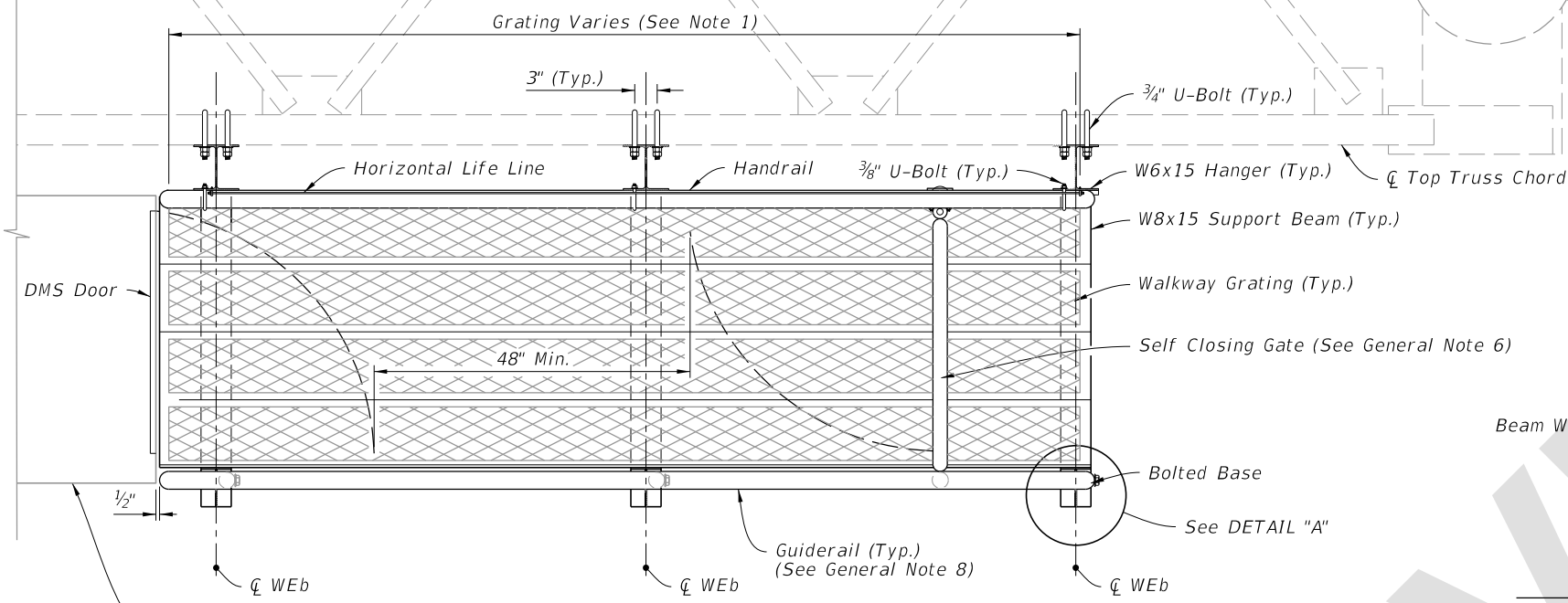
9/10/2024 2:48:34 PM

LAST REVISION	DESCRIPTION:
11/01/19	
11/01/25	

**2026-27**  
 FY ~~2025-26~~  
 STANDARD PLANS

CATWALK DETAILS

INDEX	SHEET
700-091	2 of 3



GENERAL ASSEMBLY

- NOTES:**
1. See manufacturer details for walkway planks and bolting criteria.
  2. Fasten securely. See grating manufactures details.

GENERAL ASSEMBLY AND FIXED BASE DETAILS

5/11/2025 2:30:58 PM

LAST REVISION 11/01/25	REVISION	DESCRIPTION:		FY 2026-27 STANDARD PLANS	CATWALK DETAILS	INDEX 700-091	SHEET 2 of 3
---------------------------	----------	--------------	--	------------------------------	-----------------	------------------	-----------------