

Origination Form
Proposed Revisions to a Standard Plans Index

Originator:	Turley, Joshua	Index Number:	700-012
Date:	4/25/2025	Sheet Number(s):	2
E-mail:	Joshua.Turley@dot.state.fl.us	Index Title:	SINGLE POST SIGN SUPPORT BARRIER SIDE-MOUNTED

Summary of the changes:

Sheet 2: Moved the Sign Support Bracket up to new location for both the ADHESIVE BOND AN THE THROUGH BOLTING details; Added Note 1.D "Shift assembly up or down a maximum of 1" as required to avoid horizontal bars in the barrier." ; Updated Note 2 "For new Traffic Railings, couplers are show for slipforming, keep anchor bolts coupler threads free from concrete."; ADDED Note 3 "Install 2 heavy hex nuts. Add a washer if required to account for concrete dimension tolerance.": Deleted Variable callout and added callout "Hex Nuts (See Note 3)." in both the ADHESIVE BOND AN THE THROUGH BOLTING details; .

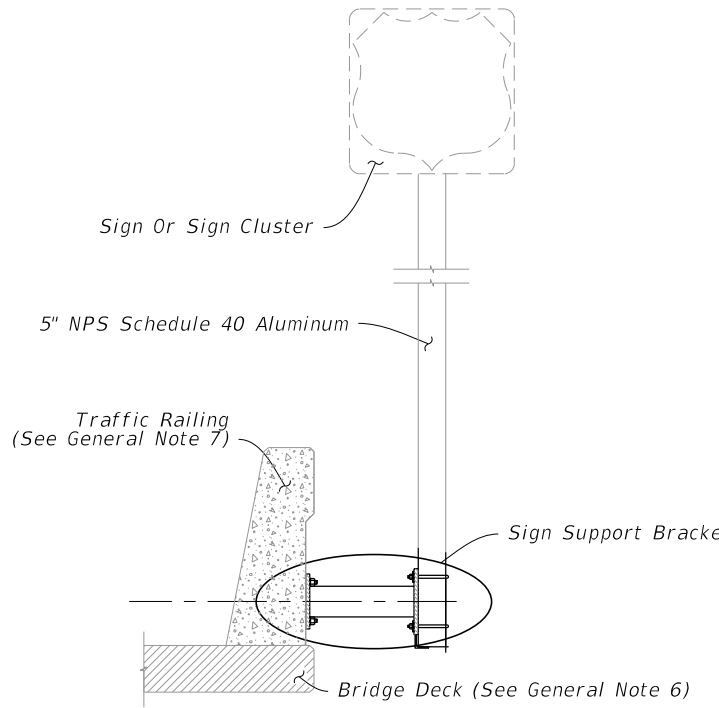
Commentary/Background:

The current sign post through existing railing installation details are difficult to construct due to the conduit location in the traffic barrier. These revised details move the anchors to avoid the most likely locations of the conduit.

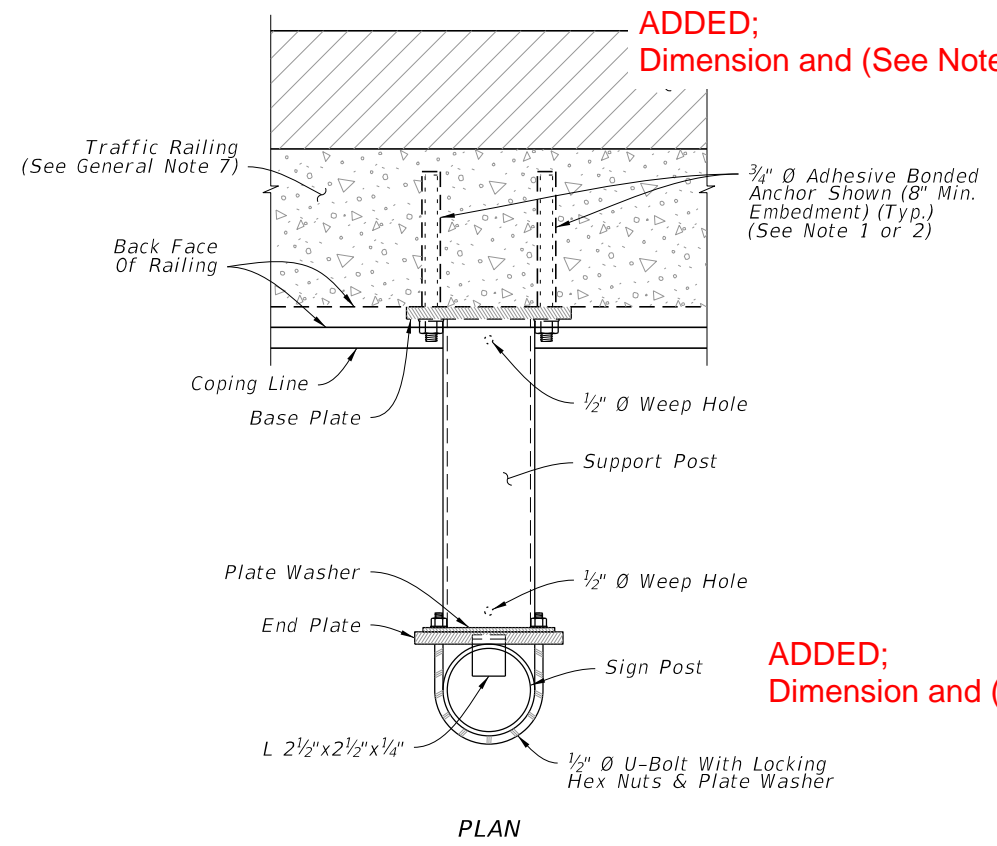
Other Affected Documents/Offices	Person Contacted	Affected (Yes/No)
Other Standard Plans		No
FDOT Design Manual		No
Standard Specifications		No
Basis of Estimates Manual		No
Approved Product List		No
Construction Office		No
Maintenance Office		No

Implementation

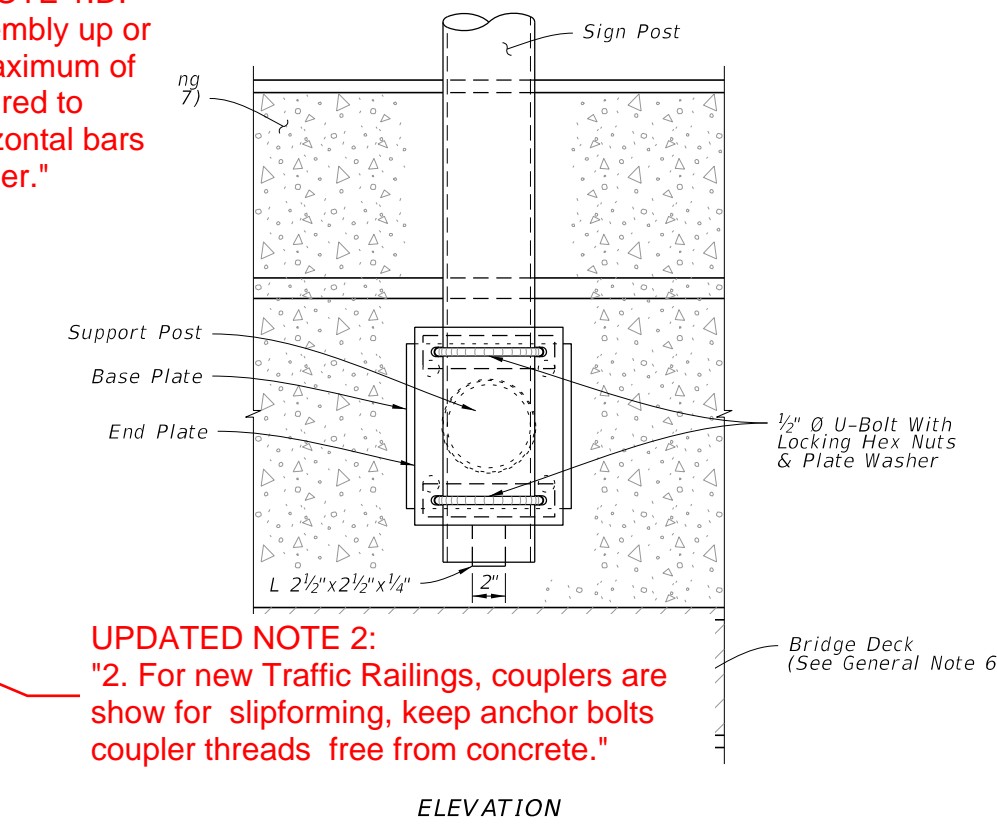
["FY-Standard Plans (Next Release)"]



SIGN SUPPORT ASSEMBLY

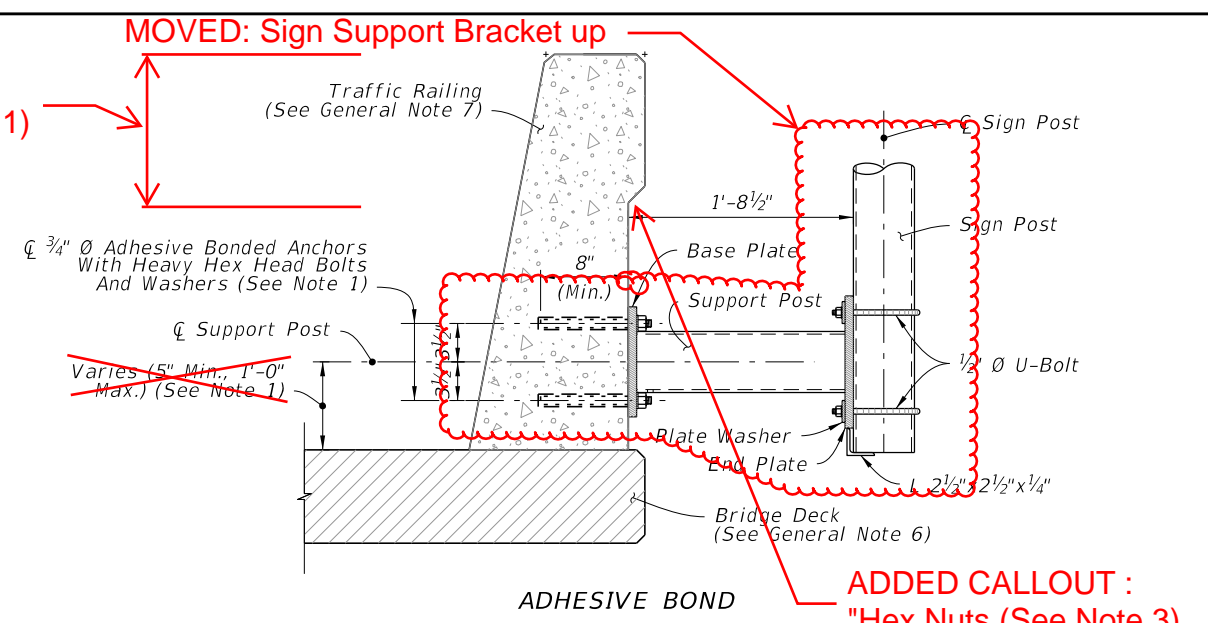


PLAN

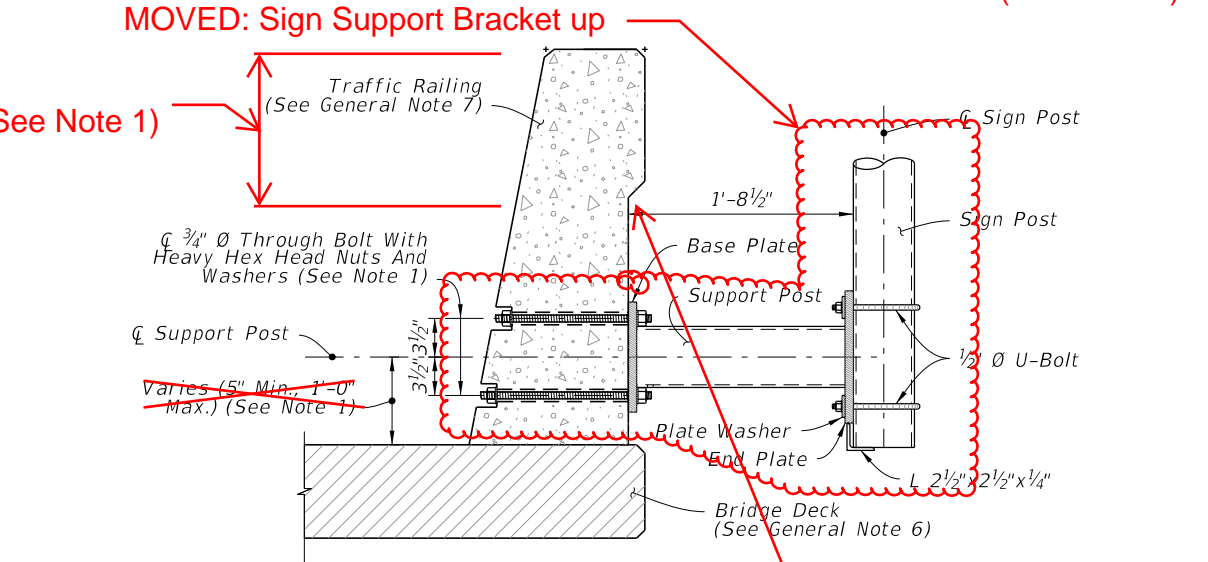


ELEVATION

SIGN SUPPORT BRACKET

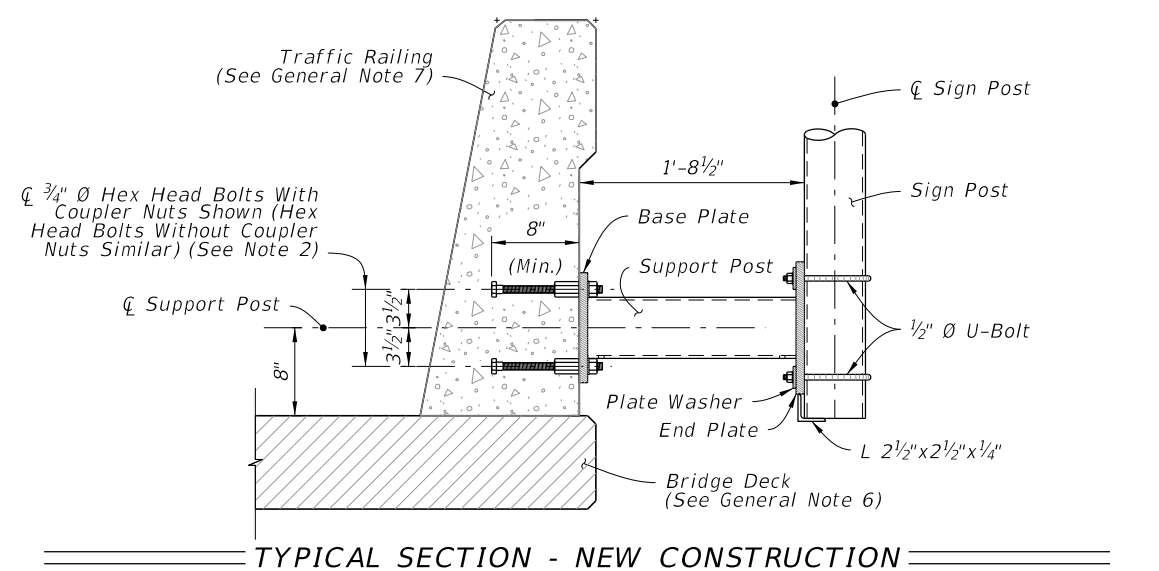


ADHESIVE BOND



THROUGH BOLTING

TYPICAL SECTION - EXISTING RAILING



TYPICAL SECTION - NEW CONSTRUCTION

NOTES:

1. Existing Traffic Railings:
 - A. Locate existing conduit prior to drilling and adjust of base plate as necessary to avoid damaging existing conduit. Base plate must be flush with back of traffic railing. Maintain a minimum cover 2" from face of traffic railing to tip of Adhesive Anchor.
 - B. For concrete parapets less than 10" thick, through bolt 3/4" Ø Heavy Hex Head Bolts with Nuts and Washers in lieu of Adhesive Bonded Anchors. Bolt heads shall not protrude more than 1 1/2" beyond traffic face of railing.
 - C. For through bolting, countersink the nut and washer so that the bolt and nut does not extend beyond the face of the traffic railing. Do not exceed a countersink depth and diameter of 2 1/2".

2. New Traffic Railings:
 - A. Optional Couplers are shown for slipforming; keep Anchor Bolt coupler threads free of concrete.

3. Install 2 heavy hex nuts. Add a washer if required to account for concrete dimension tolerance.

ADDED NOTE 1.D:
"Shift assembly up or down a maximum of 1" as required to avoid horizontal bars in the barrier."

UPDATED NOTE 2:
"2. For new Traffic Railings, couplers are show for slipforming, keep anchor bolts coupler threads free from concrete."

ADDED;
Dimension and (See Note 1)

ADDED;
Dimension and (See Note 1)

MOVED: Sign Support Bracket up

MOVED: Sign Support Bracket up

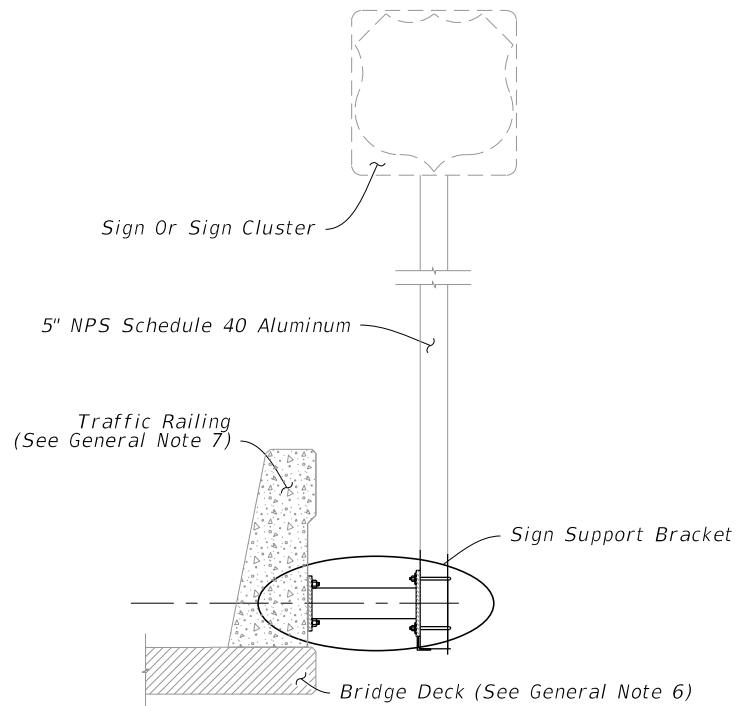
ADDED CALLOUT:
"Hex Nuts (See Note 3)"

ADDED CALLOUT:
"Hex Nuts (See Note 3)"

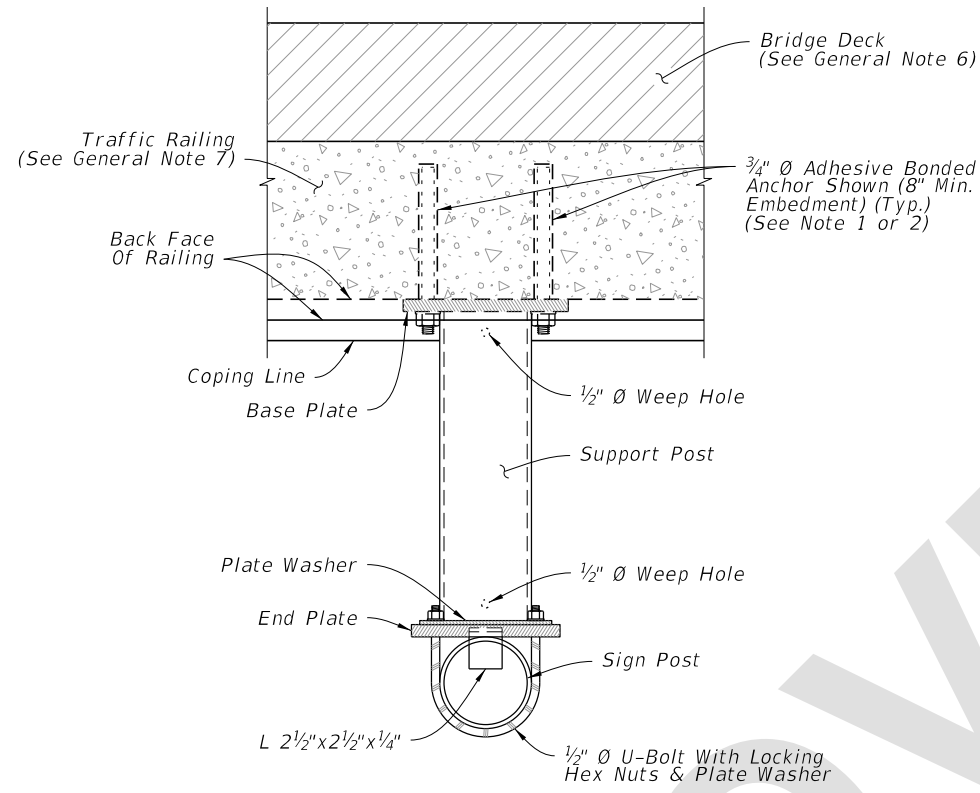
9/10/2024 2:41:15 PM

11/01/25

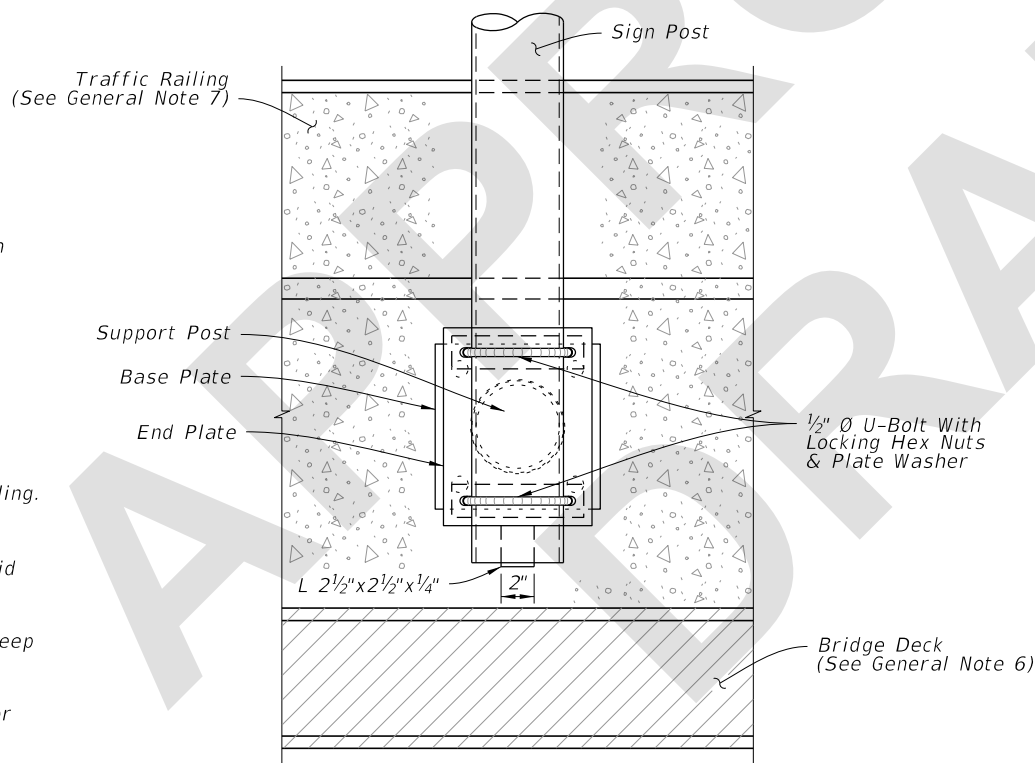
LAST REVISION	DESCRIPTION:
11/01/22	



SIGN SUPPORT ASSEMBLY

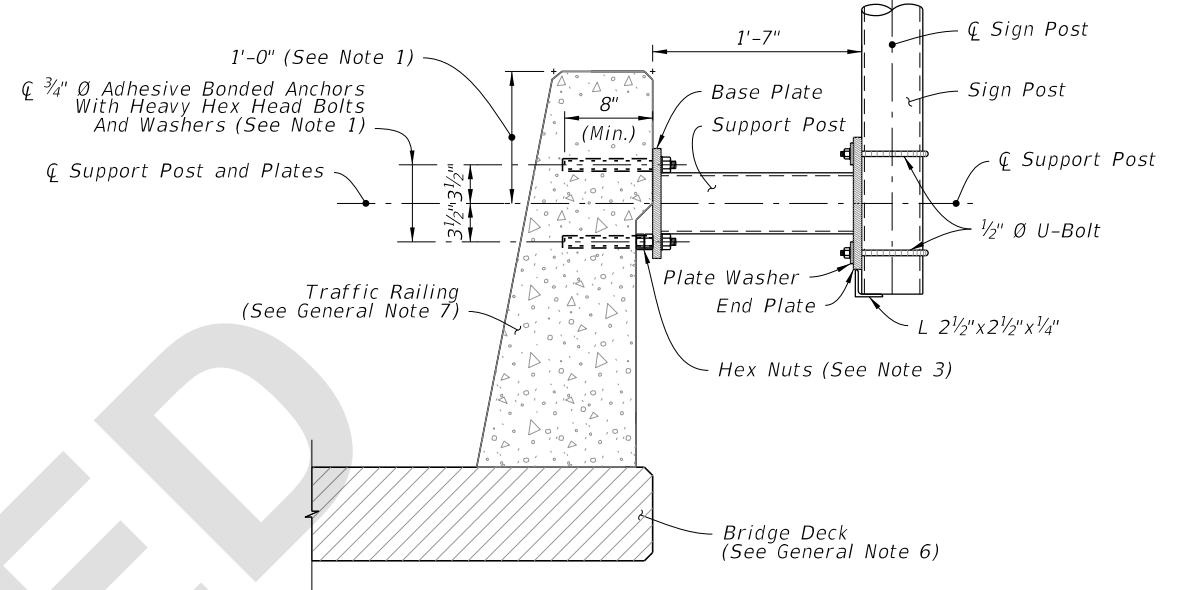


PLAN

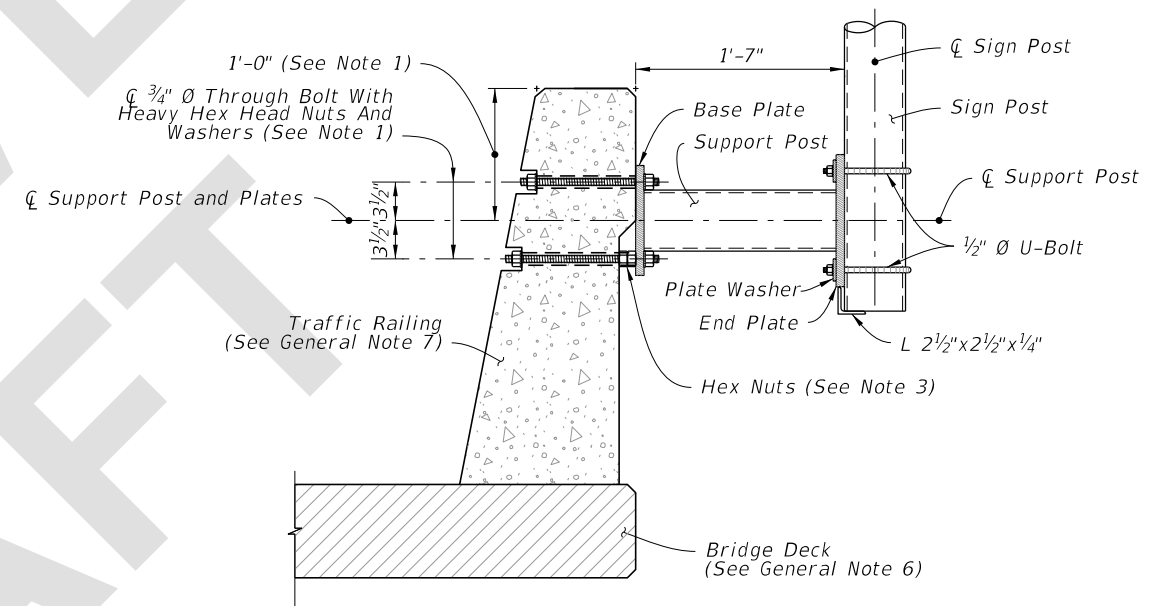


ELEVATION

SIGN SUPPORT BRACKET

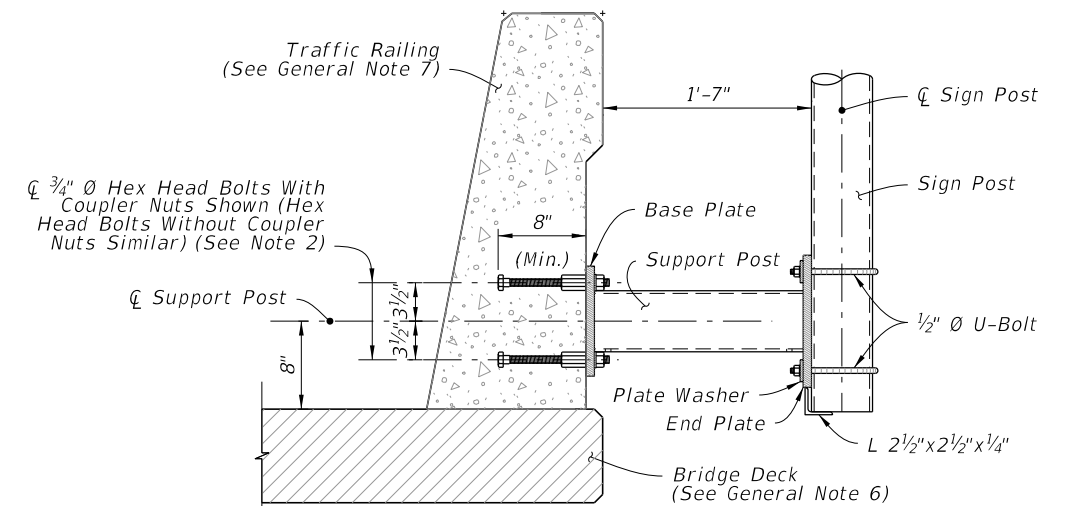


ADHESIVE BOND



THROUGH BOLTING

TYPICAL SECTION - EXISTING RAILING




TYPICAL SECTION - NEW CONSTRUCTION

NOTES:

1. Existing Traffic Railings:
 - A. Locate existing conduit prior to drilling and adjust placement of base plate as necessary to avoid damaging existing conduit. Base plate must be flush with back of traffic railing. Maintain a minimum cover 2" from face of traffic railing to tip of Adhesive Anchor.
 - B. For concrete parapets less than 10" thick, through bolt 3/4" Ø Heavy Hex Head Bolts with Nuts and Washers in lieu of Adhesive Bonded Anchors. Bolt heads shall not protrude more than 1 1/2" beyond traffic face of railing.
 - C. For through bolting, countersink the nut and washer so that the bolt and nut does not extend beyond the face of the traffic railing. Do not exceed a countersink depth and diameter of 2 1/2".
 - D. Shift assembly up or down a maximum of 1" as required to avoid horizontal bars in the barrier.
2. For new Traffic Railings, couplers are shown for slipforming, keep Anchor Bolt coupler threads free of concrete.
3. Install 2 heavy hex nuts. Add a washer if required to account for concrete dimension tolerance.

5/28/2025 8:34:48 AM

LAST REVISION 11/01/25	DESCRIPTION:		FY 2026-27 STANDARD PLANS	SINGLE POST SIGN SUPPORT BARRIER SIDE-MOUNTED	INDEX 700-012	SHEET 2 of 3
---------------------------	--------------	---	-------------------------------------	--	-------------------------	------------------------