

Origination Form
Proposed Revisions to a Standard Plans Index

Originator:	Pinkham, Andrew	Index Number:	430-030
Date:	6/3/2025	Sheet Number(s):	2
E-mail:	andrew.pinkham@dot.state.fl.us	Index Title:	Straight Concrete Endwalls Single and Multiple Pipe

Summary of the changes:

Sheet 2: Added SECTION A-A to show Option I or II.

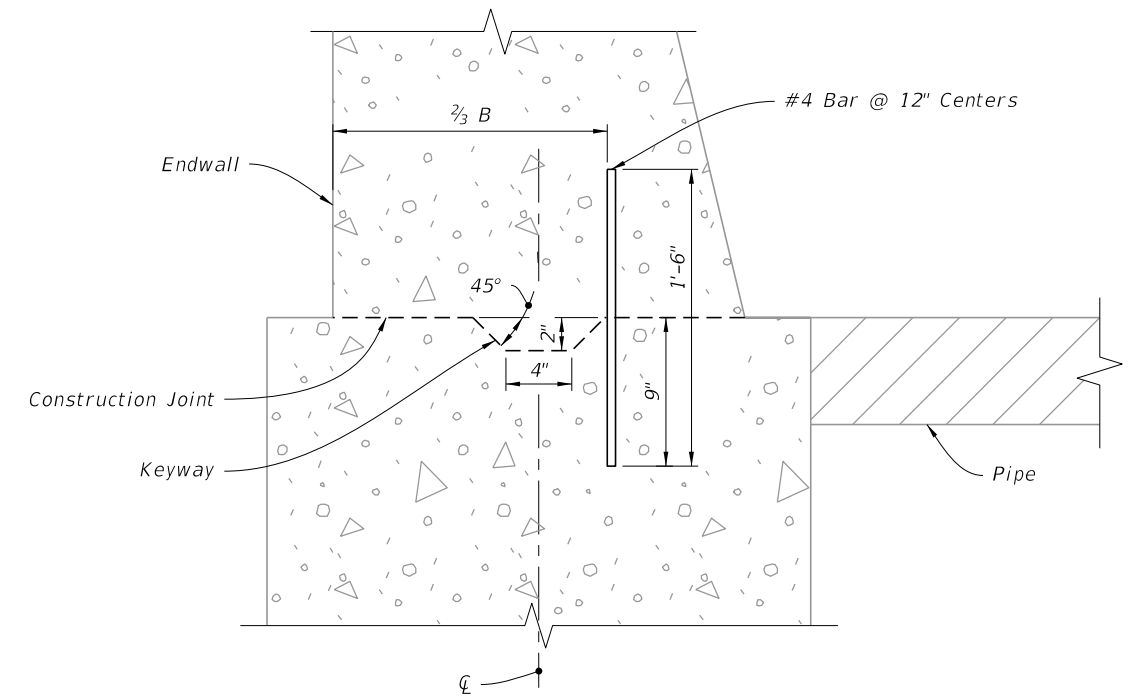
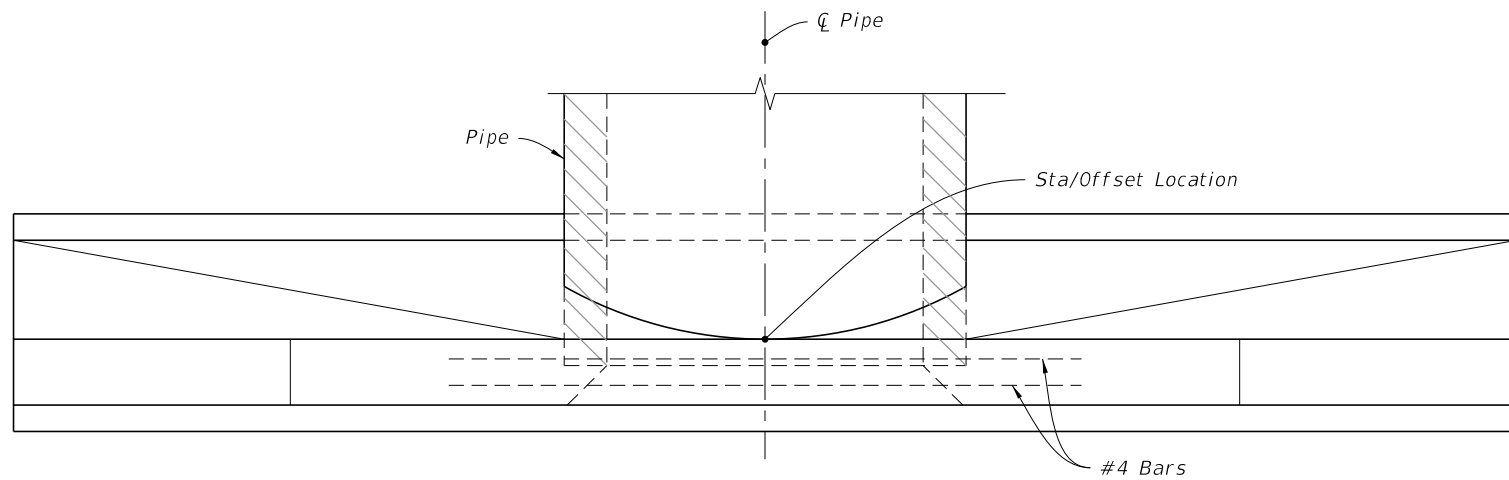
Commentary/Background:

Addition of alternate to hole forming details and minimum beam height above the opening. Issues with delivered product and at request of Industry. Request came through the Precast Concrete Structures Association to Andrew Pinkham at SMO, through Drainage Design and was signed as an Approved Shop Drawing by State Drainage Engineer.

Other Affected Documents/Offices	Person Contacted	Affected (Yes/No)
Other Standard Plans		No
FDOT Design Manual		No
Standard Specifications		No
Basis of Estimates Manual		No
Approved Product List		No
Construction Office		No
Maintenance Office		No

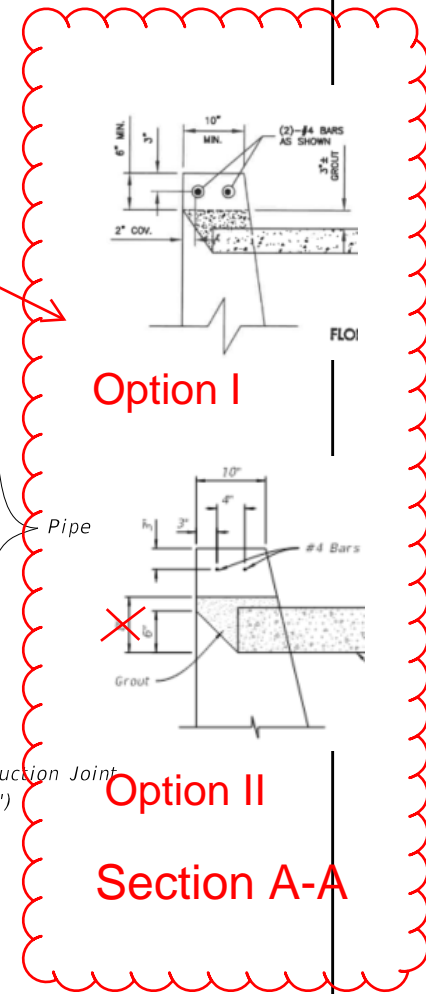
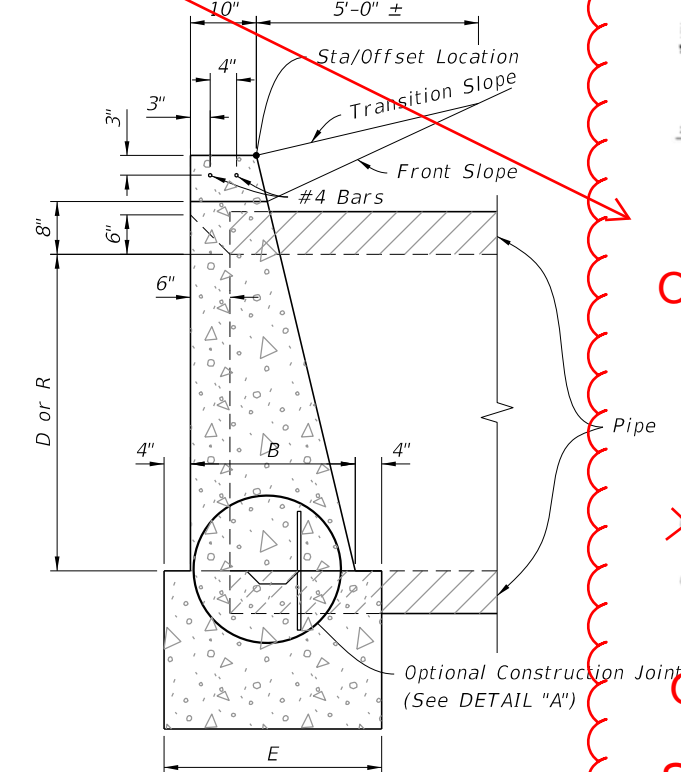
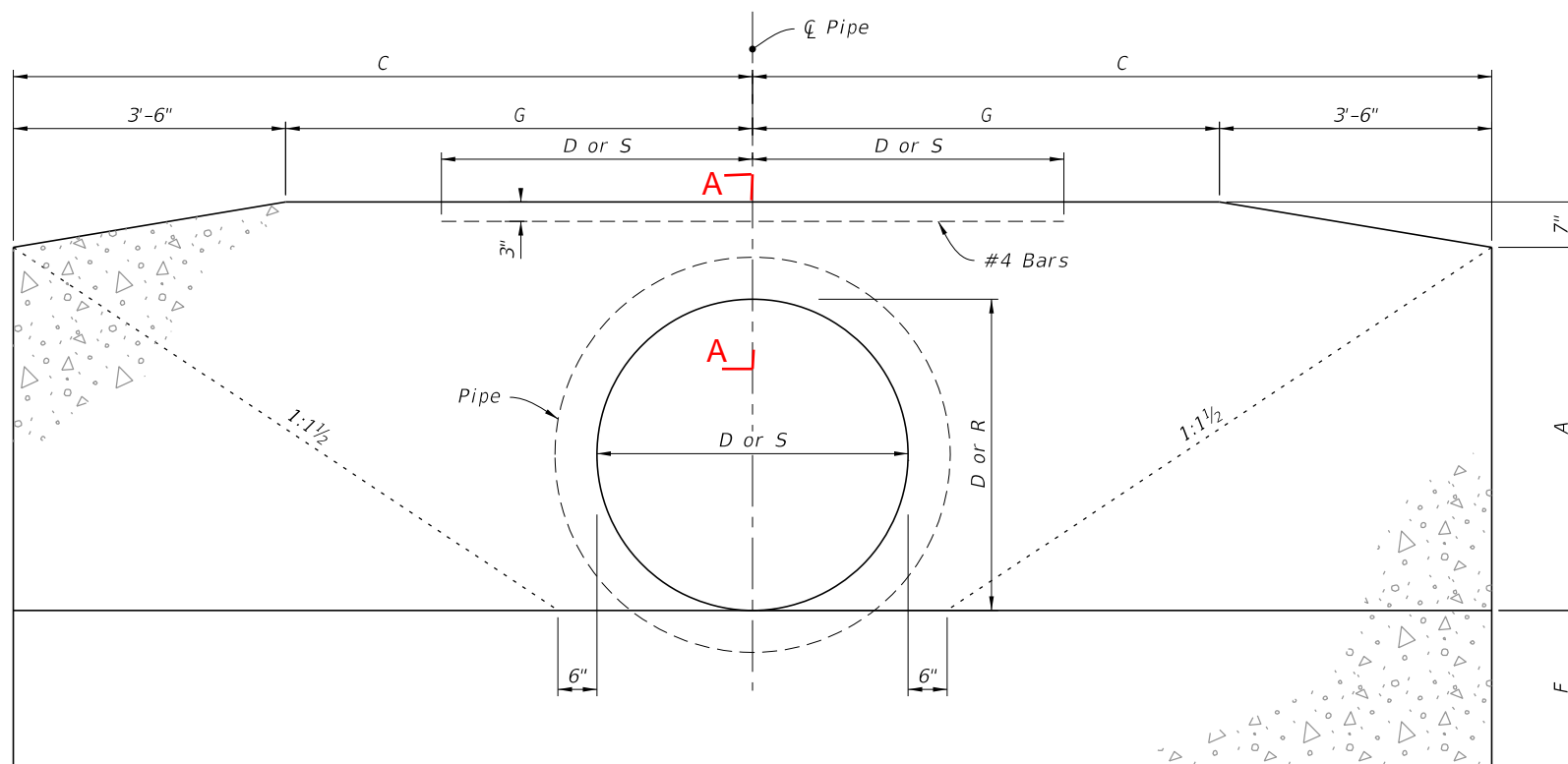
Implementation

["FY-Standard Plans (Next Release)"]



ADDED:
Section A-A to show
Option I or II

NOTE: Keyway and Dowels are required for optional construction joint.



9/10/2024 12:43:04 PM

2026-27

CONCRETE ENDWALL DETAILS

LAST REVISION	DESCRIPTION:
11/01/19	
11/01/25	

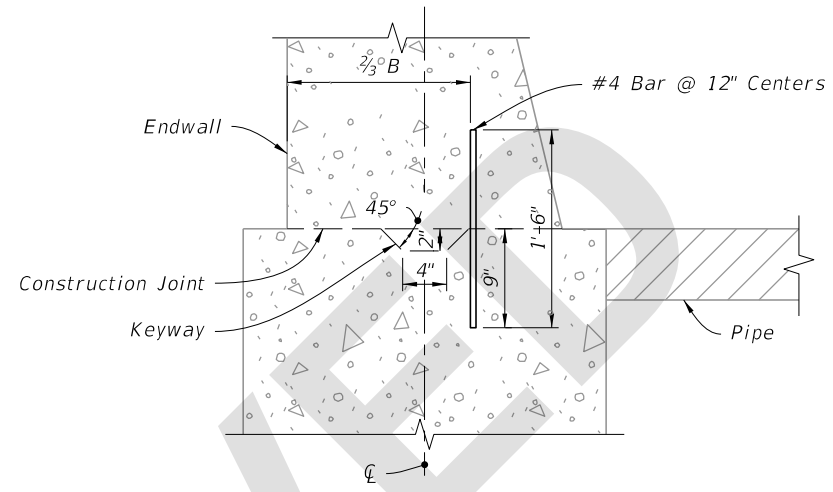
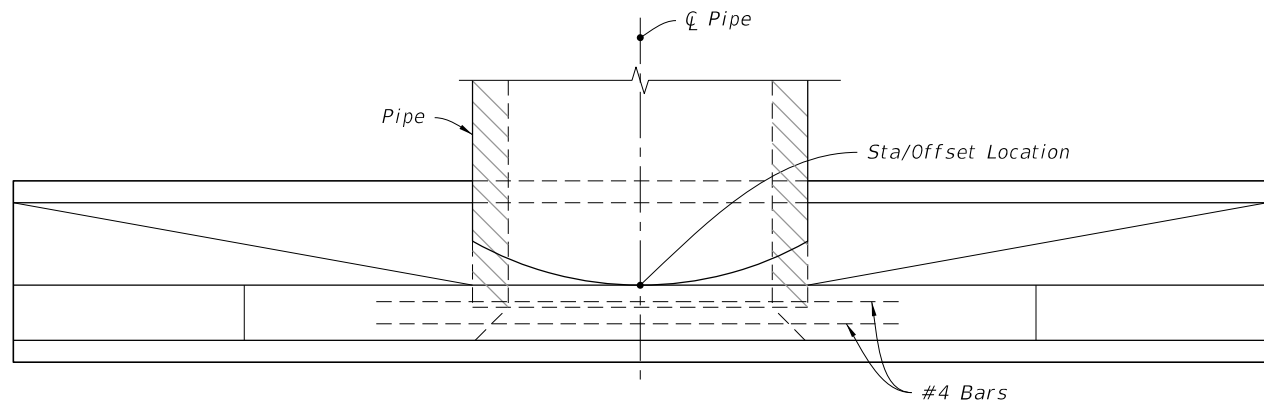


FY ~~2025-26~~
STANDARD PLANS

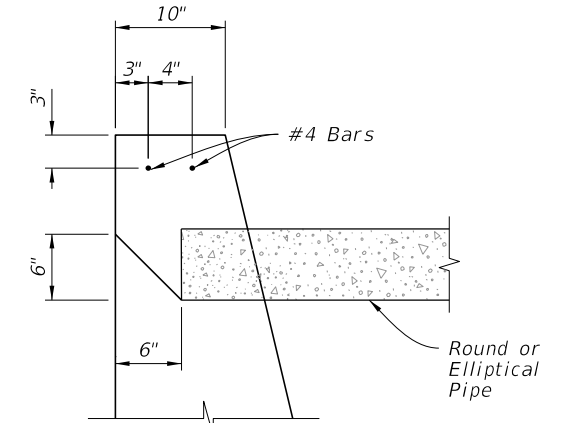
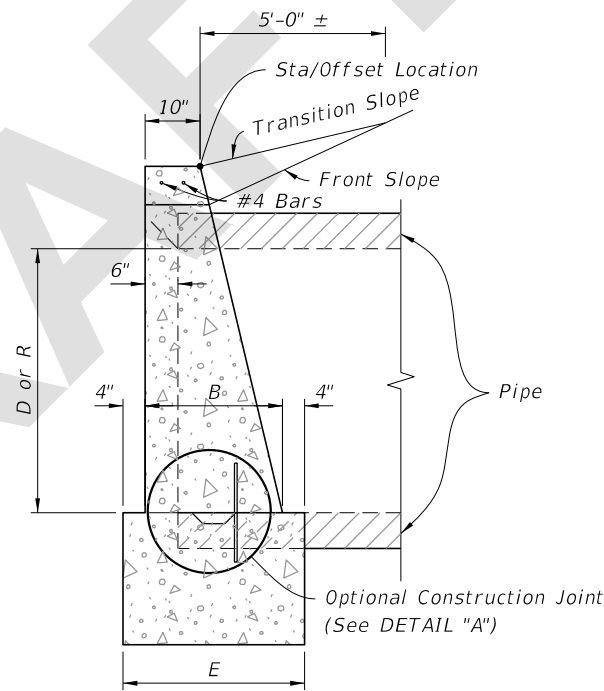
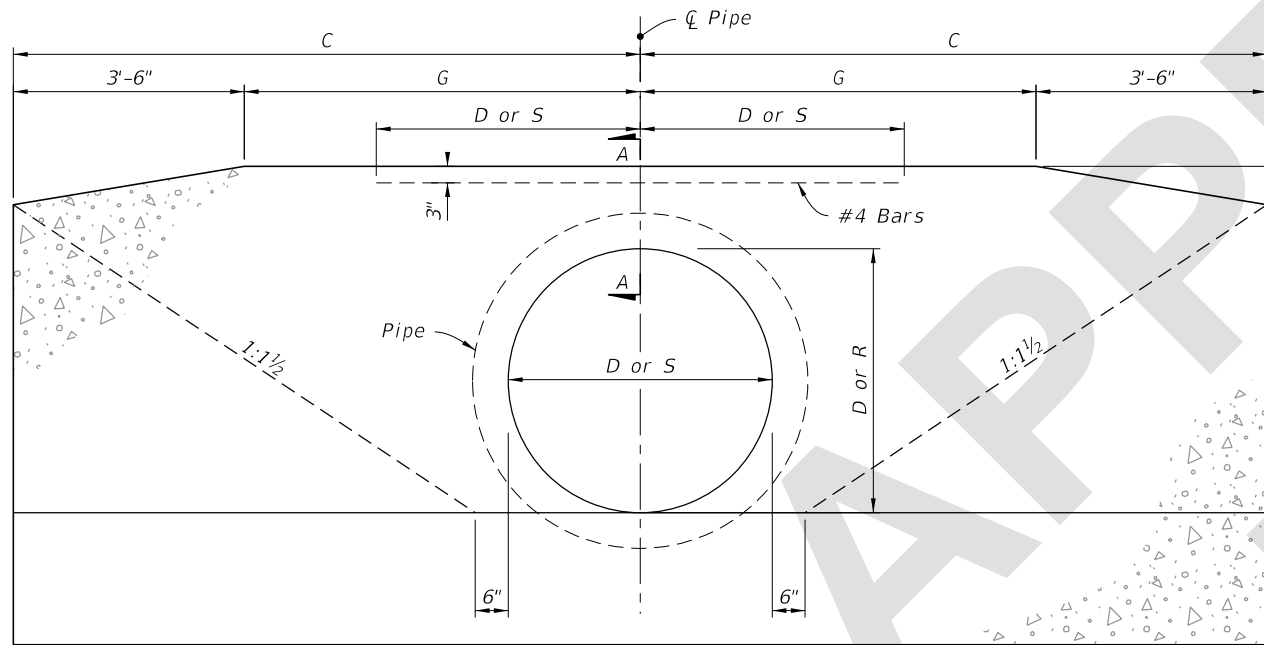
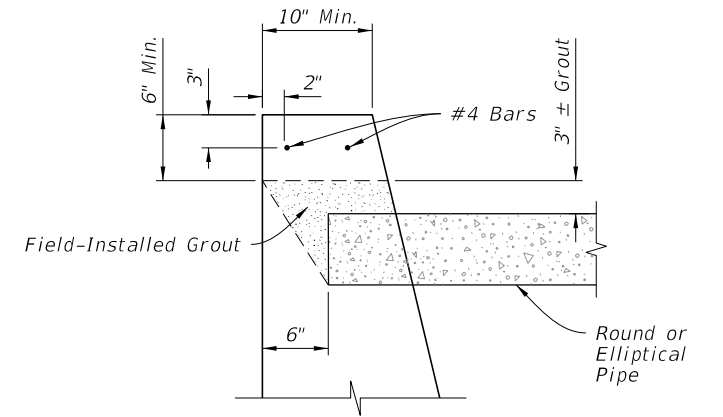
STRAIGHT CONCRETE ENDWALLS
SINGLE AND MULTIPLE PIPE

INDEX
430-030

SHEET
2 of 4



NOTE: Keyway and Dowels are required for optional construction joint.



SECTION A-A

9/9/2025 11:04:14 AM

LAST REVISION 11/01/25	DESCRIPTION:
---------------------------	--------------



FY 2026-27
STANDARD PLANS

STRAIGHT CONCRETE ENDWALLS
SINGLE AND MULTIPLE PIPE

INDEX
430-030

SHEET
2 of 4