
Index 430-030

Straight Concrete Endwalls Single and Multiple Pipe

ORIGINATION

Date: 6/3/25

Name: Andrew Pinkham

Phone: (352)955-6684

Email: Andrew.pinkham@dot.state.fl.us

COMMENTARY

Addition of alternate to hole forming details and minimum beam height above the opening. Issues with delivered product and at request of Industry. Request came through the Precast Concrete Structures Association to Andrew Pinkham at SMO, through Drainage Design and was signed as an Approved Shop Drawing by State Drainage Engineer.

COMMENTS AND RESPONSES

BLACK = Industry Review Comments **BLUE** = Standard Plans Response **GREEN** = Change Made to Index

Name: Ryan Levesque

Date: 8/11/25

COMMENT: Good morning, we need to add the following to option #1 in reference to the fillet that joins the headwall and the pipe - "Pipe fillet installed in field by others".

RESPONSE: Agreed. This callout will be updated to reflect that the grout is field installed.

CHANGE MADE TO INDEX: Yes. Changed "Grout" to "Field Installed Grout"

Response Date: 8/21/25

Name: Jason Brewster

Date: 8/12/25

COMMENT: The new option does not address the 6" of pipestop that should be included as grouted in the field in most precast endwalls. It is included in the QCP submissions that have accepted by FDOT already.

RESPONSE: Thank you for your comment. The 3" +/- callout is reflecting the OD+6" assuming a relatively centered pipe.

CHANGE MADE TO INDEX: Yes. Changed “Grout” to “Field Installed Grout”

Response Date: 8/21/25

Name: Anonymous

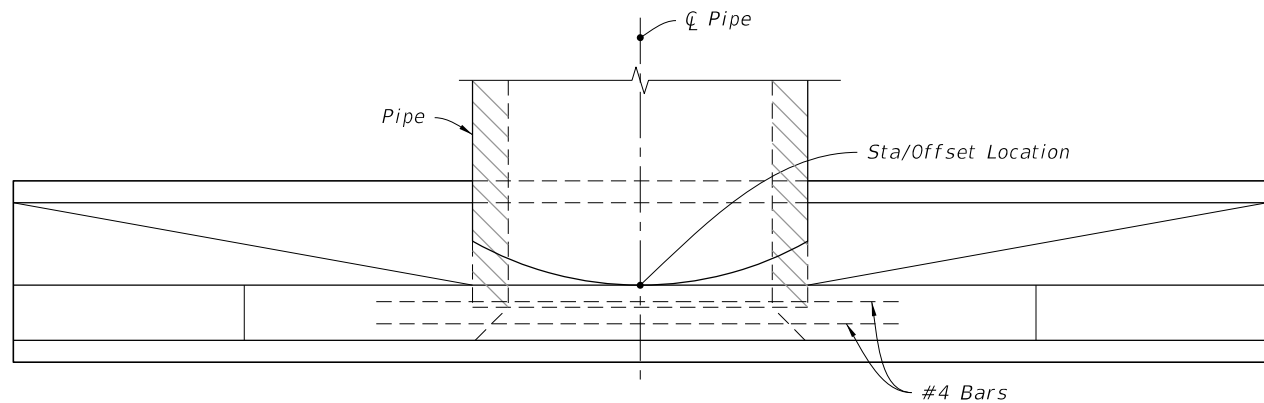
Date: 8/12/25

COMMENT: Please consider adding a cut section callout to the “Front Elevation” and label the new details “Section A-A” instead of Detail B for clarity of what the detail represent.

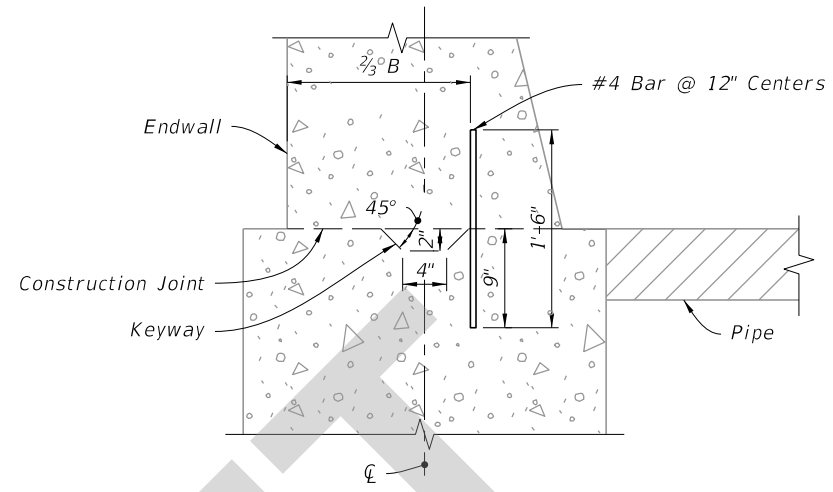
RESPONSE: Thank you for the comment. The Index will be updated to reflect the suggested changes.

CHANGE MADE TO INDEX: Yes.

Response Date: 8/21/25

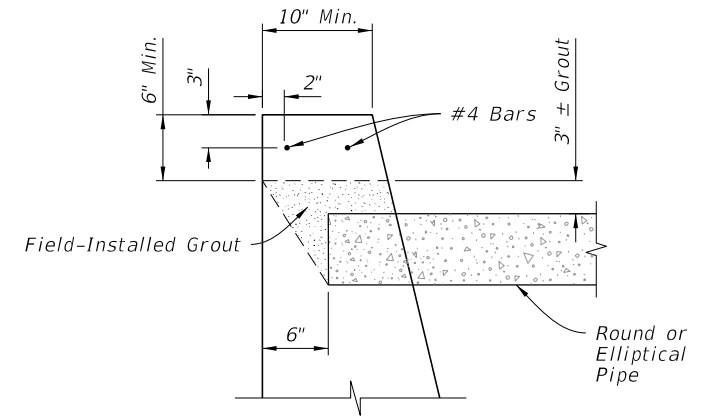


PLAN

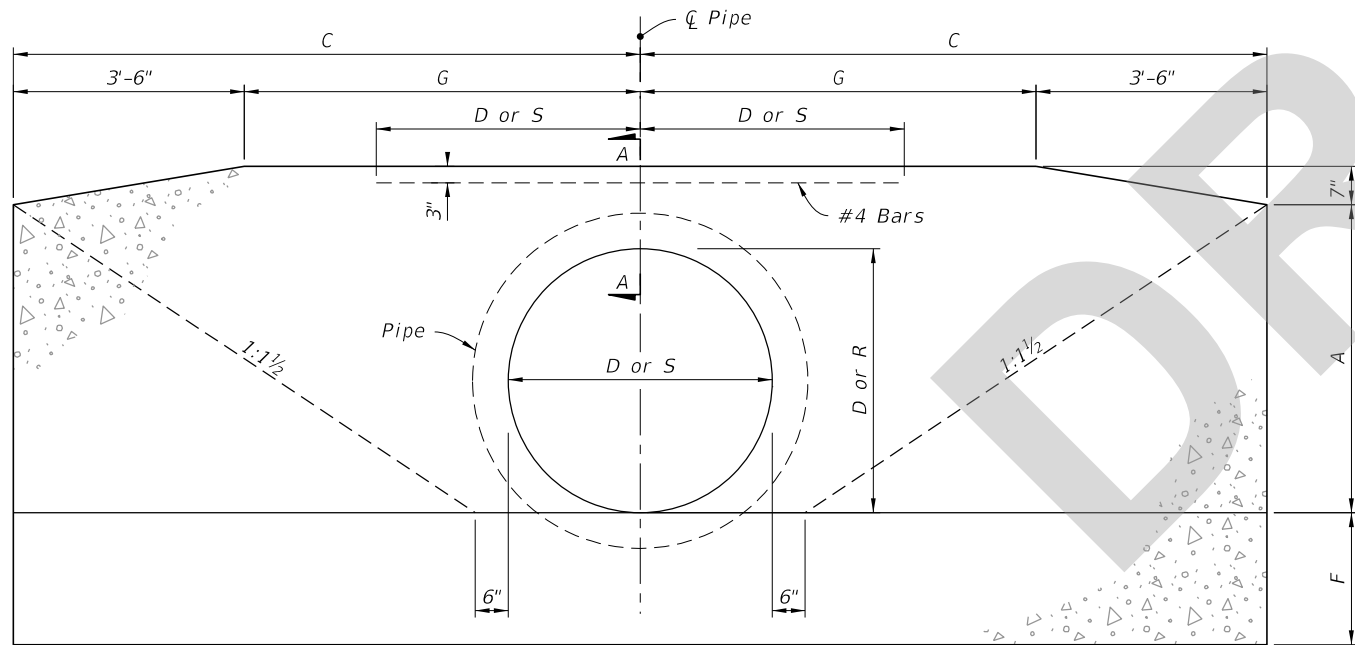


NOTE: Keyway and Dowels are required for optional construction joint.

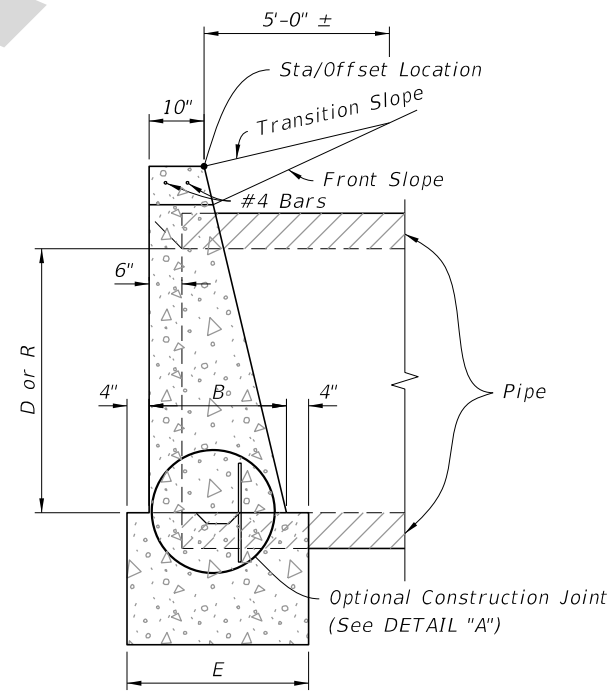
DETAIL "A"



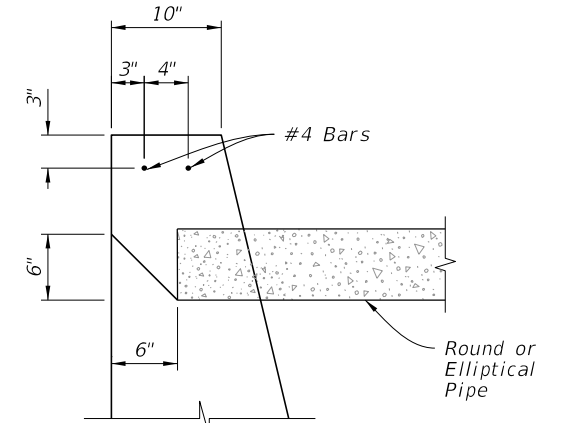
Option I



FRONT ELEVATION



SIDE ELEVATION



Option II

SECTION A-A

9/9/2025 11:04:14 AM

| | |
|---------------------------|--------------|
| LAST REVISION 11/01/25 | DESCRIPTION: |
|---------------------------|--------------|



FY 2026-27
STANDARD PLANS

STRAIGHT CONCRETE ENDWALLS
SINGLE AND MULTIPLE PIPE

INDEX
430-030

SHEET
2 of 4

CONCRETE ENDWALL DETAILS