

Origination Form
Proposed Revisions to a Standard Plans Index

Originator:	Turley, Joshua	Index Number:	102-230
Date:	5/15/2025	Sheet Number(s):	All Sheets
E-mail:	Joshua.Turley@dot.state.fl.us	Index Title:	TEMPORARY DETOUR BRIDGE STEEL PIPE PILE FOUNDATIONS

Summary of the changes:

Changed the Title of the index from "Foundations" to "Backwall Bent"

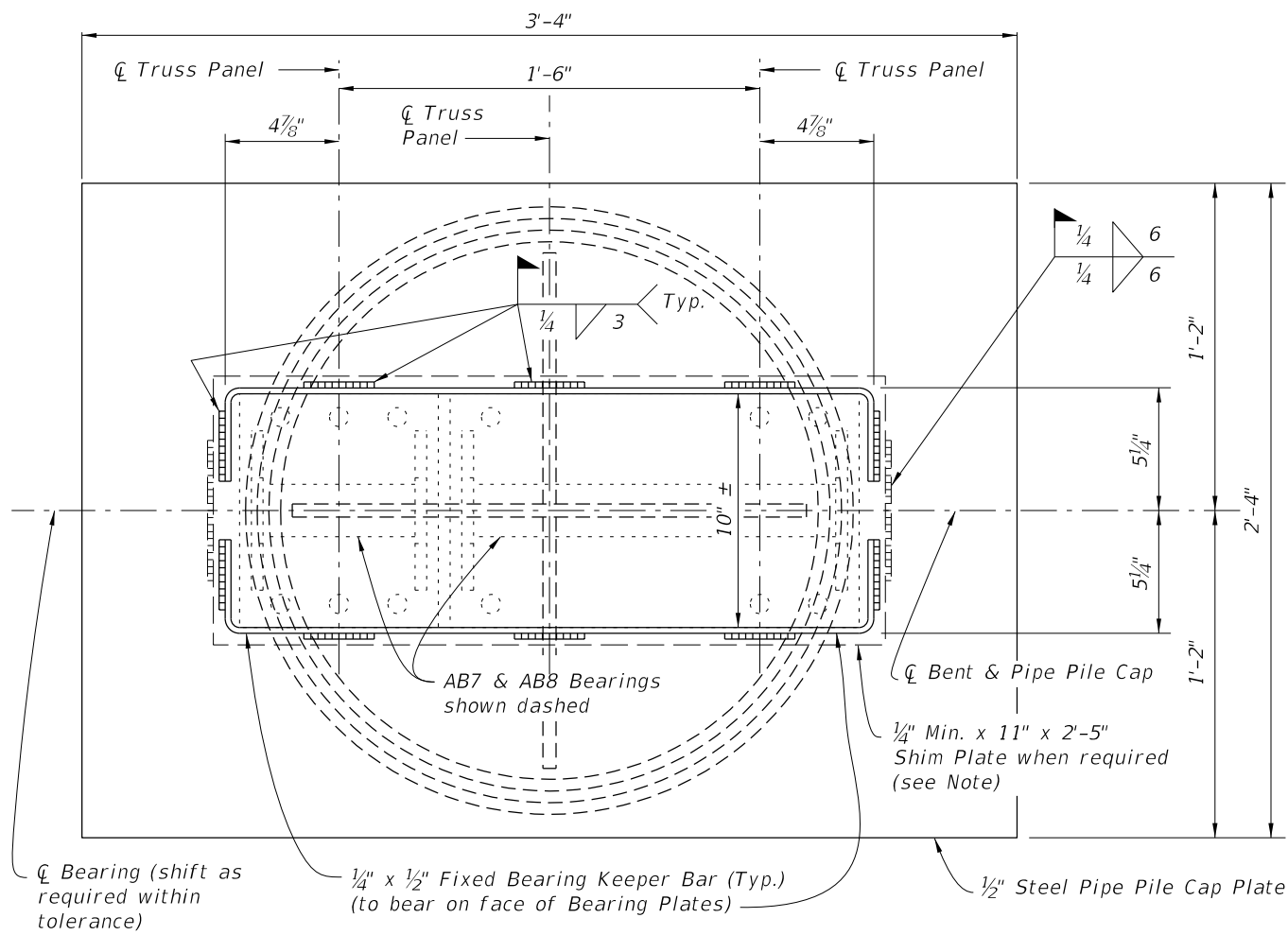
Commentary/Background:

All: Updating sheet title to reflect the more precise terminology

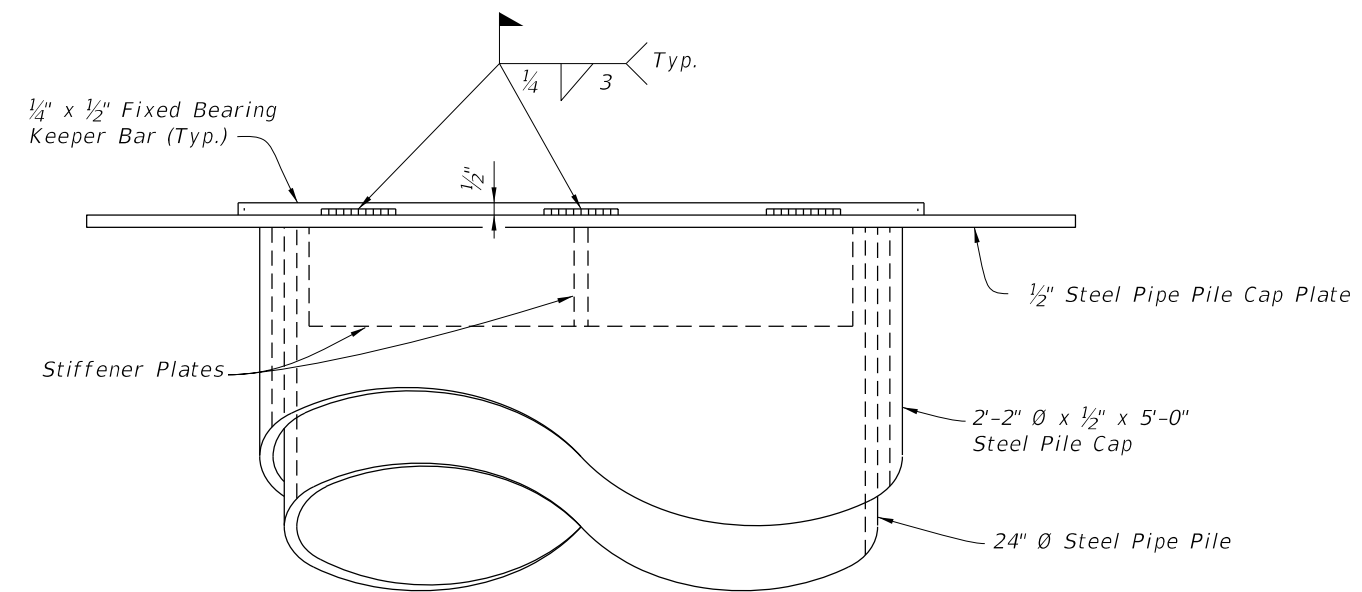
Other Affected Documents/Offices	Person Contacted	Affected (Yes/No)
Other Standard Plans		No
FDOT Design Manual		No
Standard Specifications		No
Basis of Estimates Manual		No
Approved Product List		No
Construction Office		No
Maintenance Office		No

Implementation

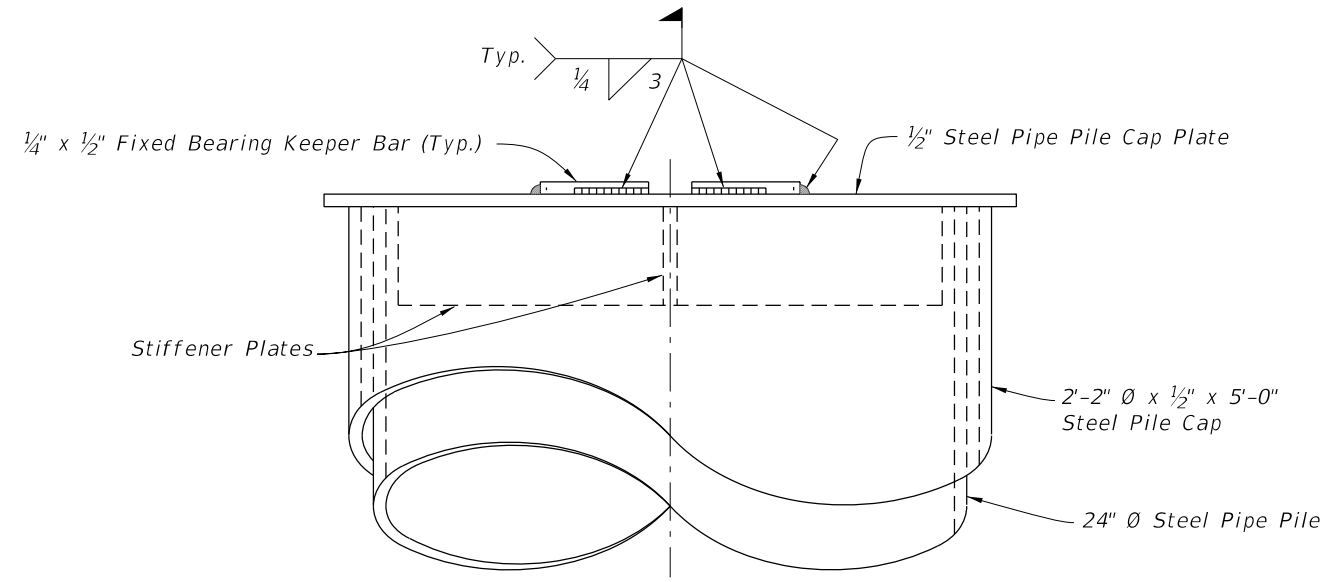
["FY-Standard Plans (Next Release)"]



PARTIAL PLAN VIEW

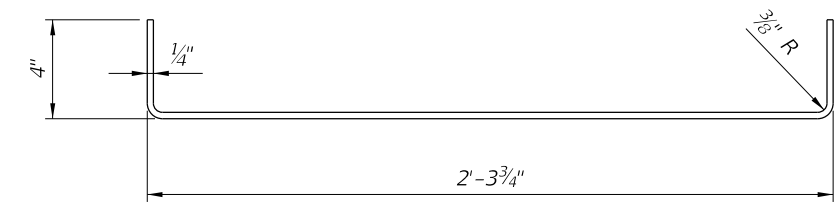


PARTIAL ELEVATION VIEW

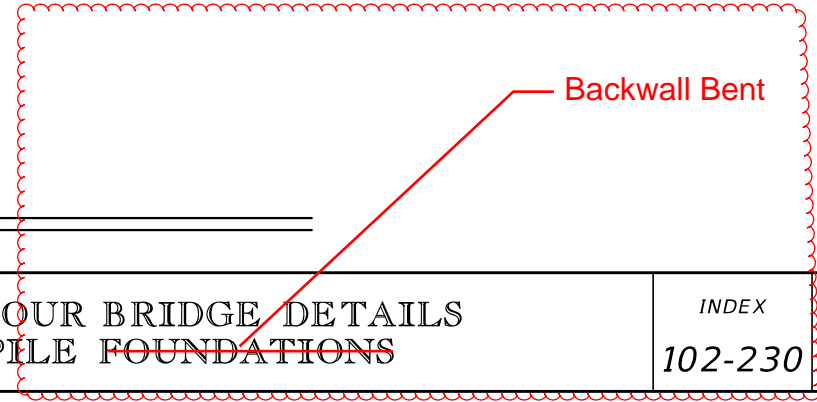


END VIEW

Note:
Use Shim Plates as required to provide equal bearing seat elevations across the bent. Vary thickness of Shim Plate across the pile cap plate to provide a level bearing area in the transverse direction.



FIXED BEARING KEEPER BAR DETAIL

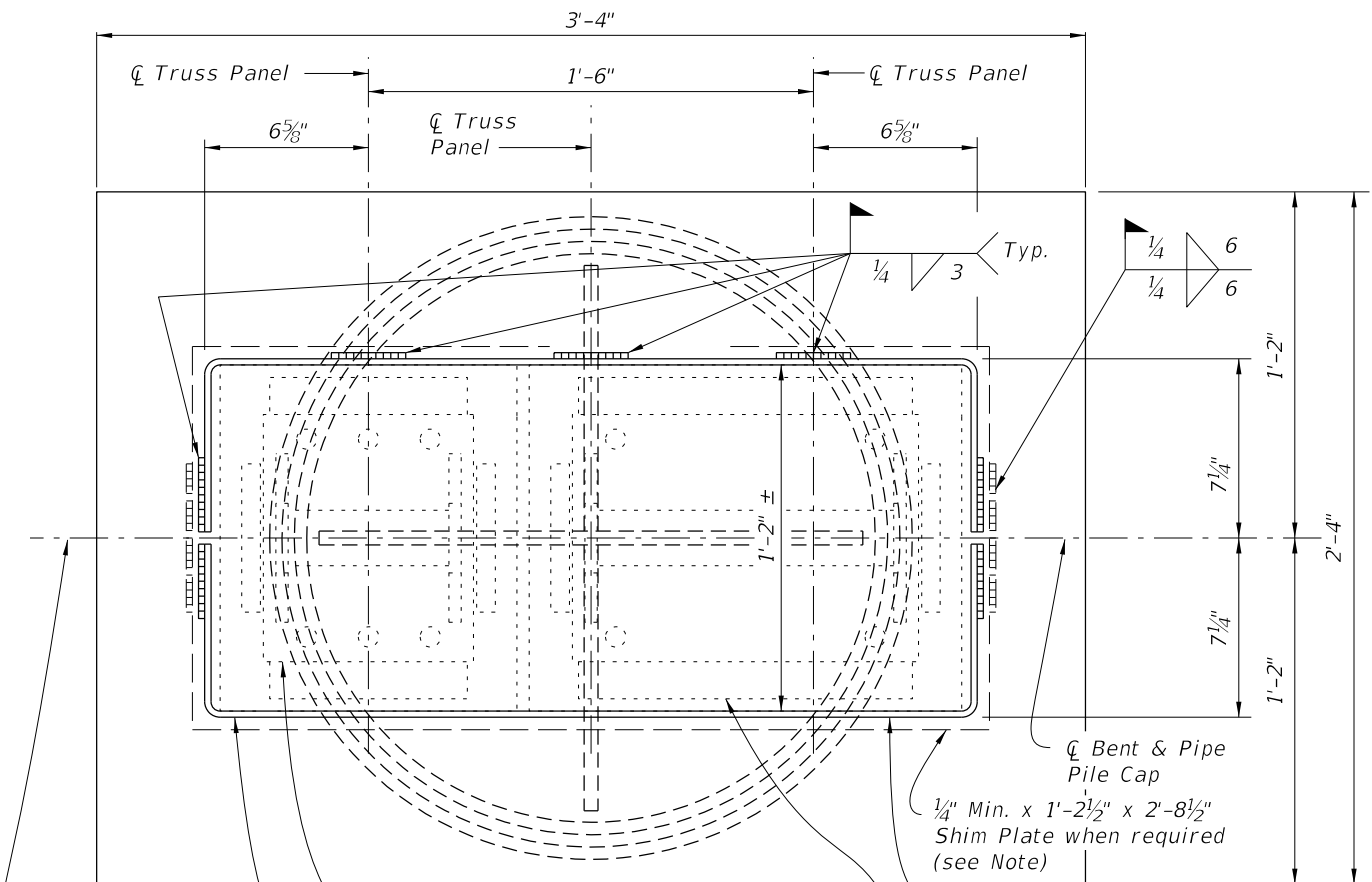


Backwall Bent

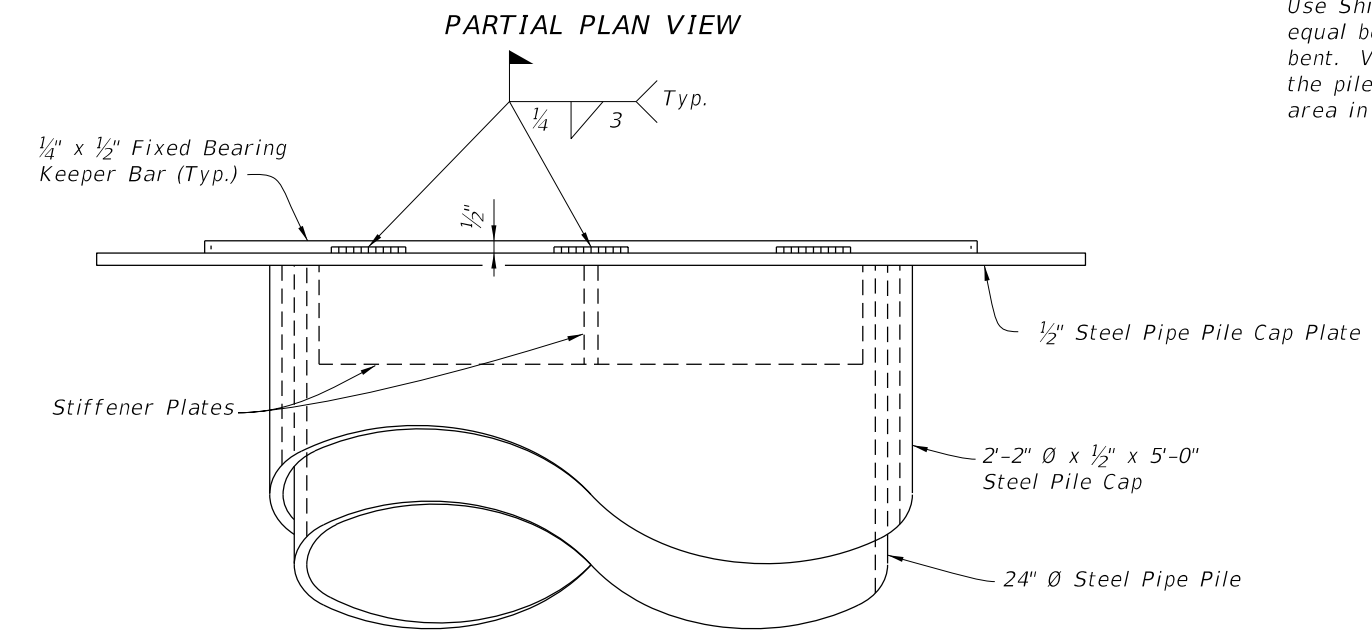
FIXED BEARING DETAILS
2026-27

10/17/2024 8:03:05 AM

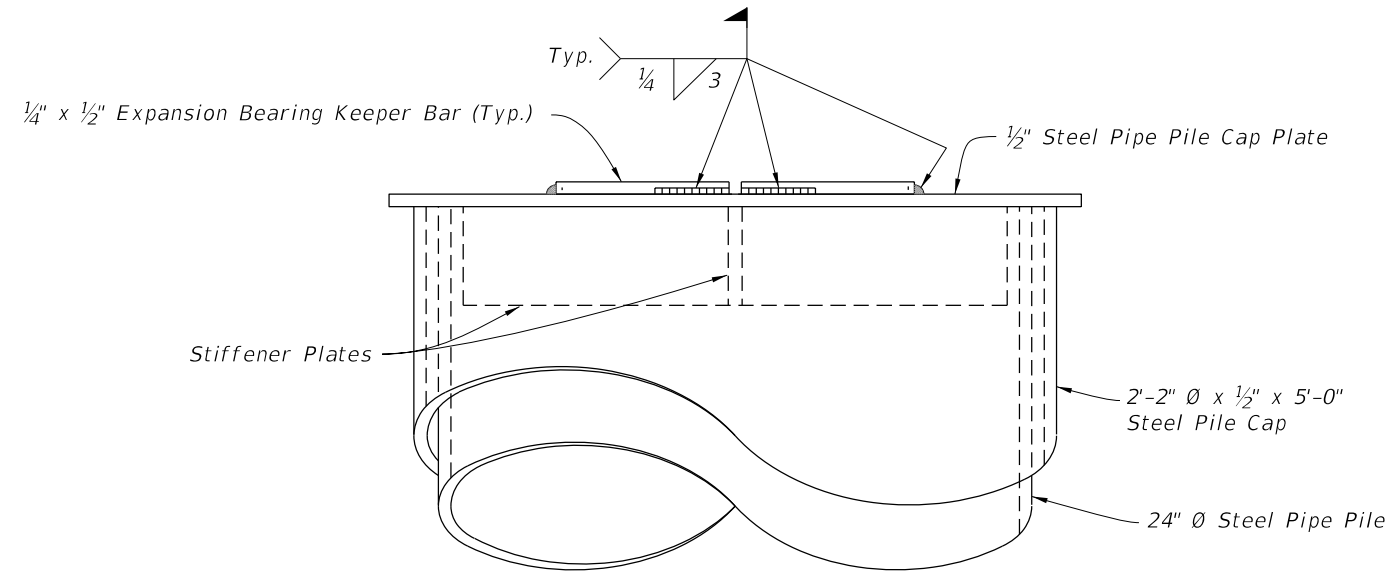
LAST REVISION 01/01/16 11/01/25	REVISION	DESCRIPTION:	 FY 2025-26 STANDARD PLANS	TEMPORARY DETOUR BRIDGE DETAILS STEEL PIPE PILE FOUNDATIONS	INDEX 102-230	SHEET 2 of 3
---------------------------------------	----------	--------------	--	--	------------------	-----------------



ϕ Bearing (shift as required within tolerance)
 Expansion Bearing Assemblies shown dashed
 $\frac{1}{4}$ " x $\frac{1}{2}$ " Expansion Bearing Keeper Bar (Typ.) (to bear on face of Bearing Plates)
 $\frac{1}{2}$ " Steel Pipe Pile Cap Plate
 $\frac{1}{4}$ " Min. x 1'-2 $\frac{1}{2}$ " x 2'-8 $\frac{1}{2}$ " Shim Plate when required (see Note)
 ϕ Bent & Pipe Pile Cap

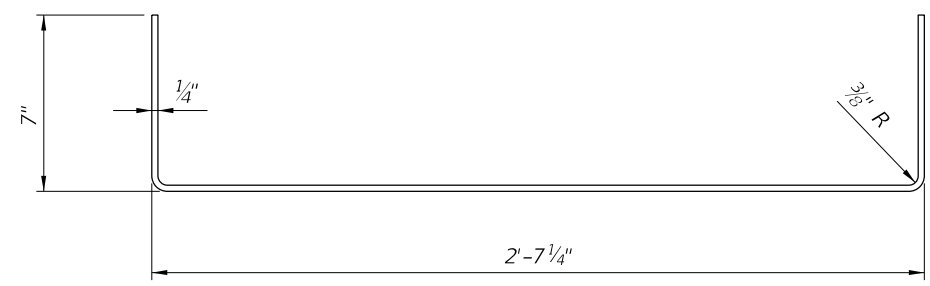


$\frac{1}{4}$ " x $\frac{1}{2}$ " Fixed Bearing Keeper Bar (Typ.)
 Stiffener Plates
 $\frac{1}{2}$ " Steel Pipe Pile Cap Plate
 2'-2" ϕ x $\frac{1}{2}$ " x 5'-0" Steel Pile Cap
 24" ϕ Steel Pipe Pile

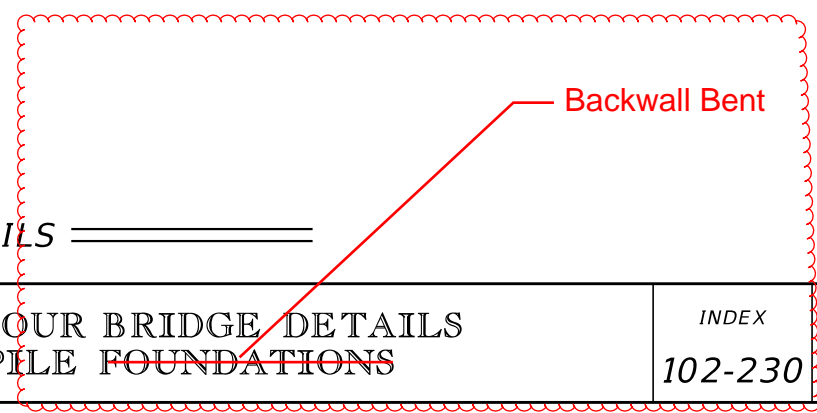


END VIEW
 $\frac{1}{4}$ " x $\frac{1}{2}$ " Expansion Bearing Keeper Bar (Typ.)
 Stiffener Plates
 2'-2" ϕ x $\frac{1}{2}$ " x 5'-0" Steel Pile Cap
 24" ϕ Steel Pipe Pile

Note:
 Use Shim Plates as required to provide equal bearing seat elevations across the bent. Vary thickness of Shim Plate across the pile cap plate to provide a level bearing area in the transverse direction.



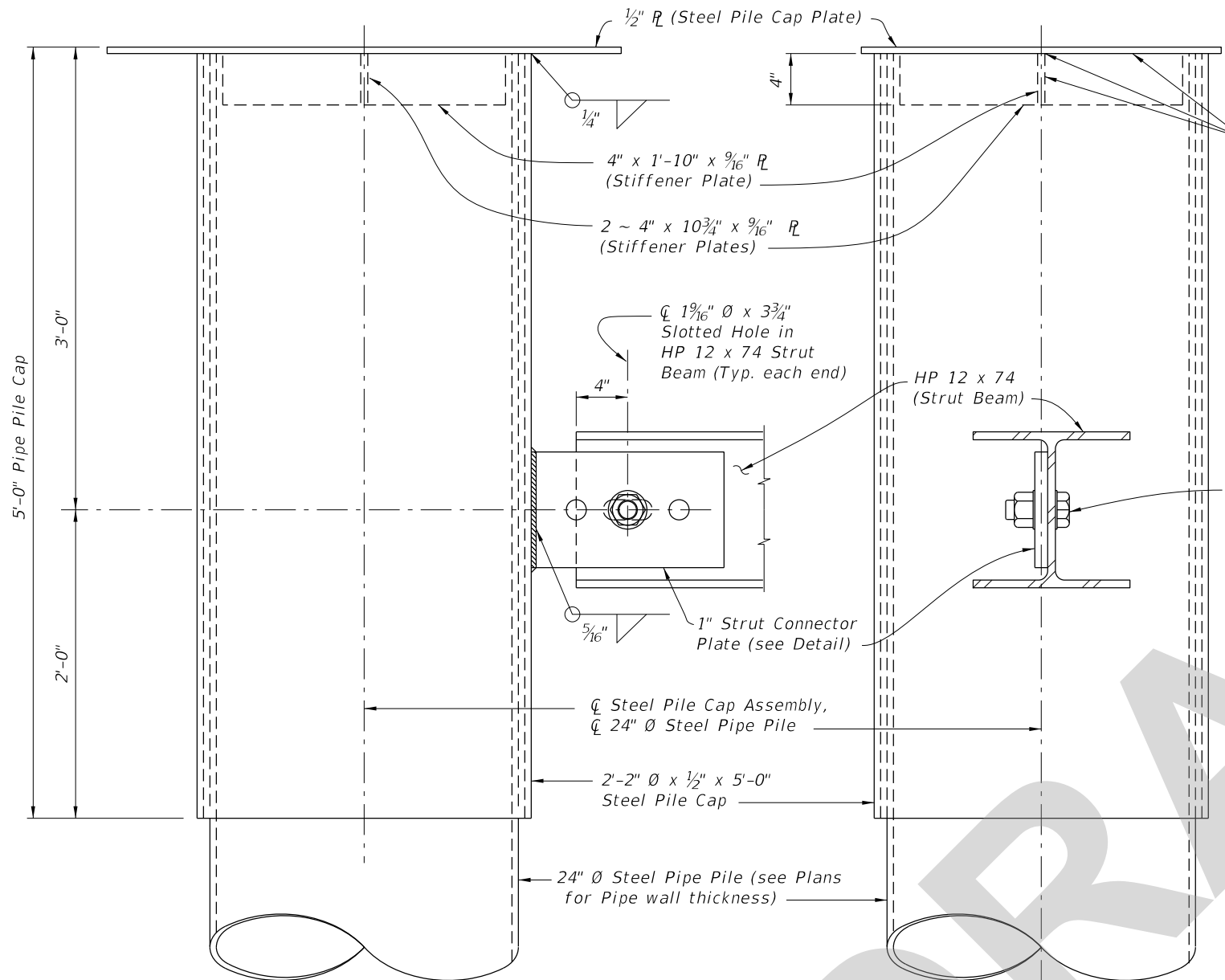
EXPANSION BEARING KEEPER BAR DETAIL



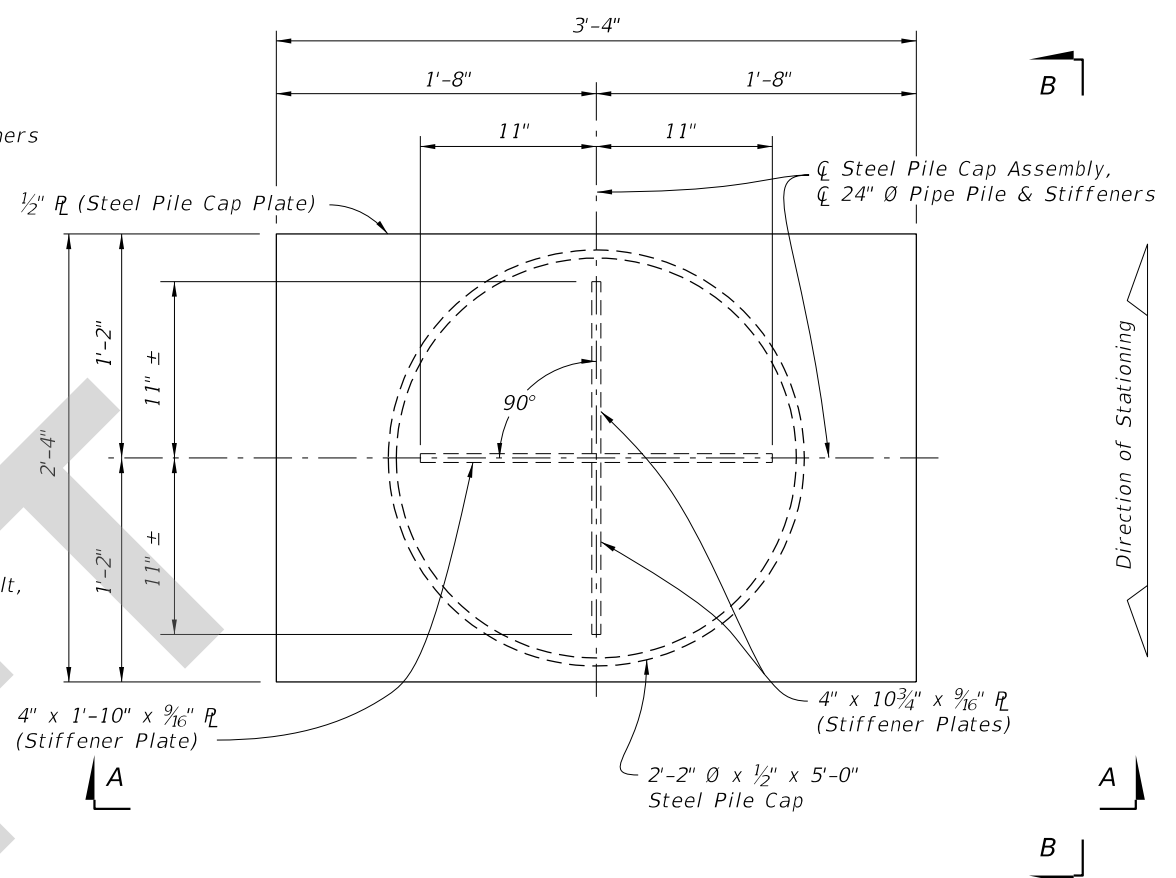
ABUTMENT AND INTERMEDIATE EXPANSION BEARING DETAILS
 2026-27

10/17/2024 8:03:11 AM

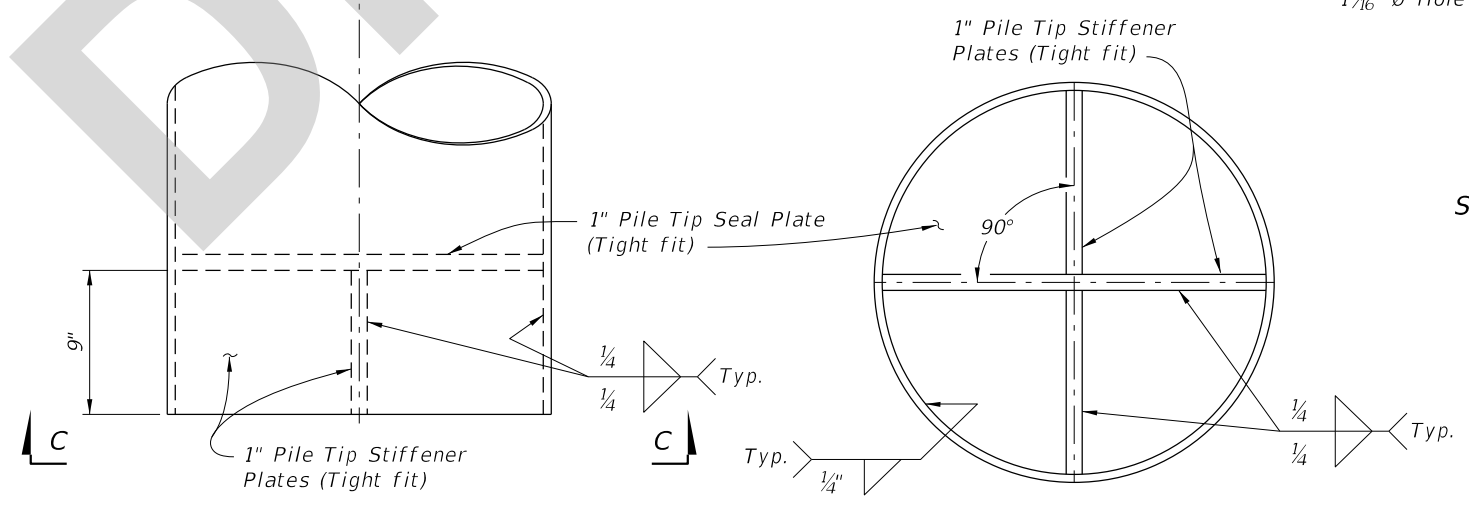
LAST REVISION 01/01/16 11/01/25	REVISION DESCRIPTION:		FY 2025-26 STANDARD PLANS	TEMPORARY DETOUR BRIDGE DETAILS STEEL PIPE PILE FOUNDATIONS	INDEX 102-230	SHEET 3 of 3
---------------------------------------	--------------------------	--	---	--	------------------	-----------------



PARTIAL VIEW A-A

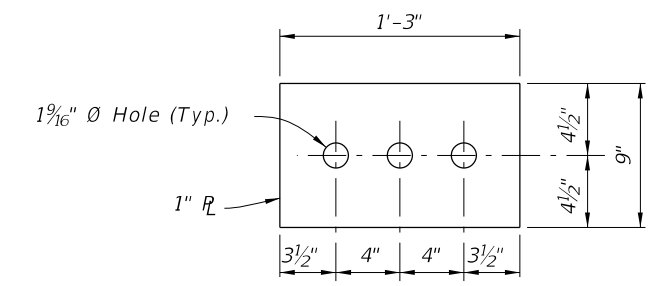


PLAN VIEW STEEL PILE CAP ASSEMBLY
(Bearing Plates and Bearing Keeper Bars not show for clarity)




VIEW B-B

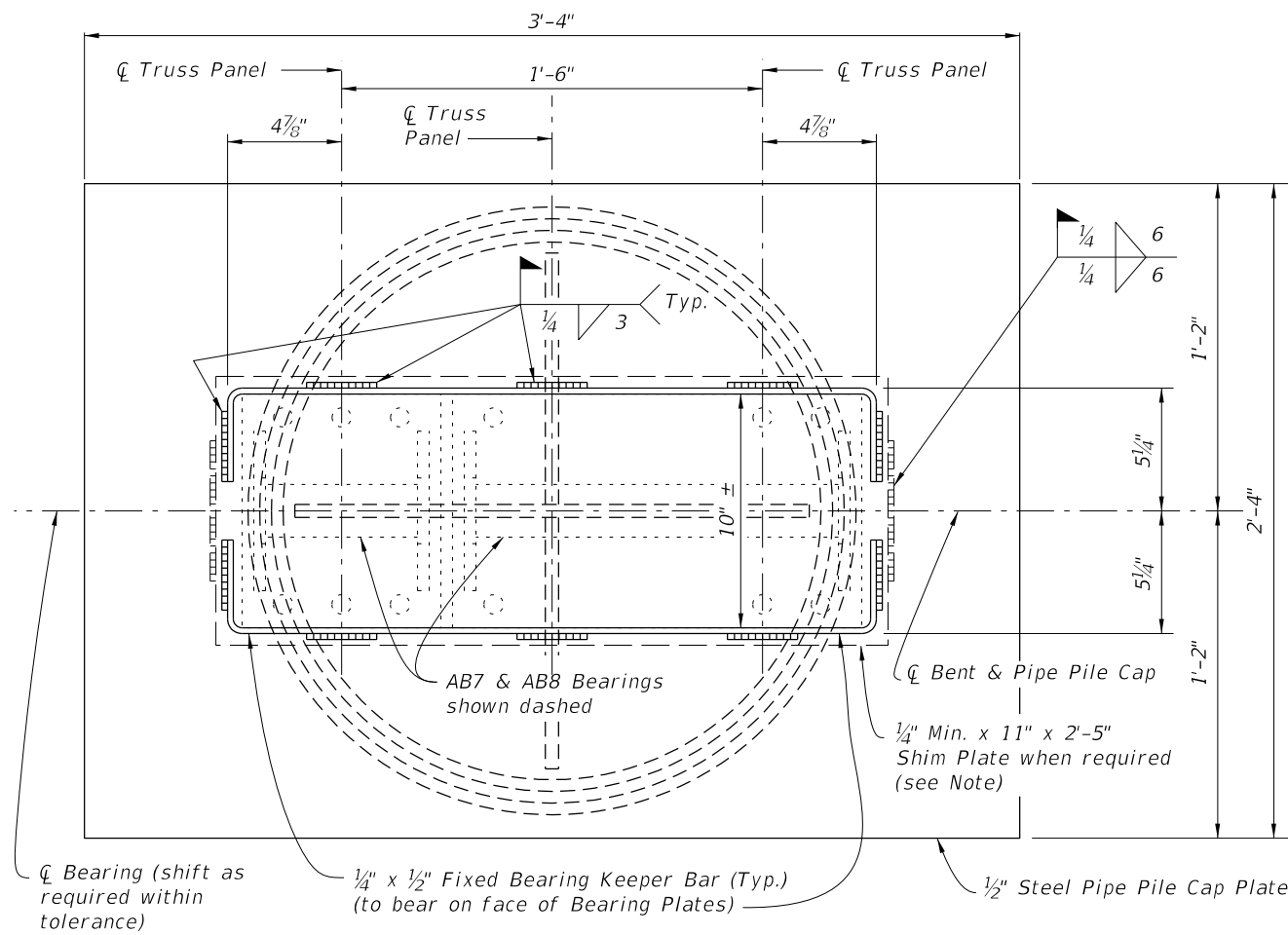
VIEW C-C
PILE TIP DETAIL



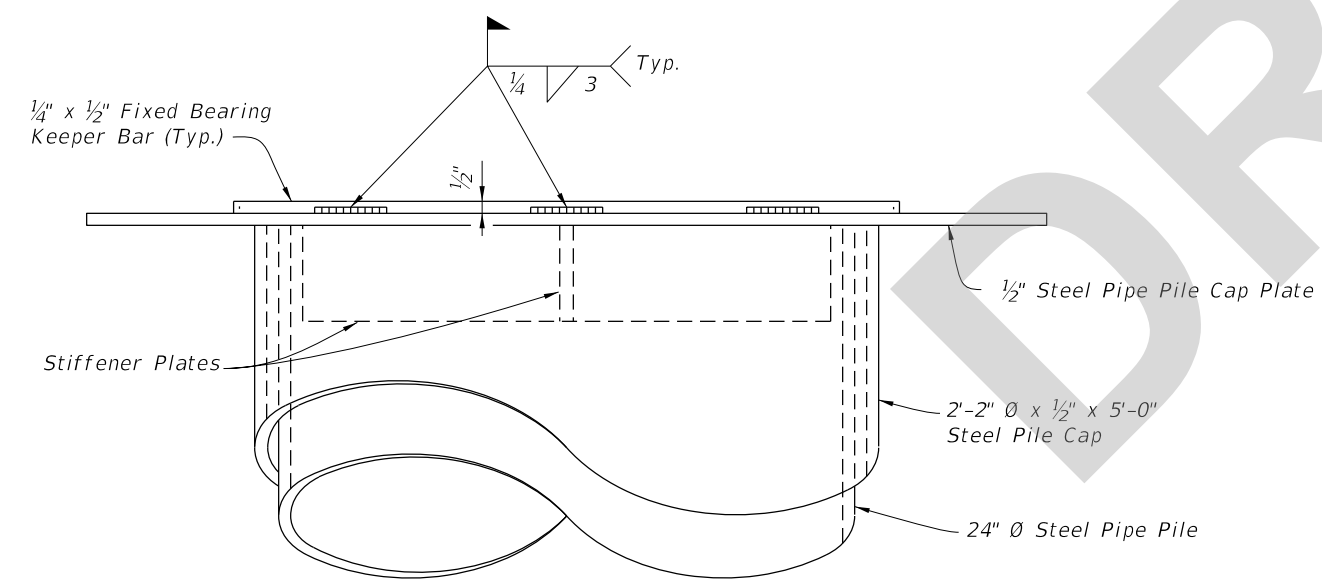
STRUT CONNECTOR PLATE DETAIL

5/23/2025 12:15:47 PM

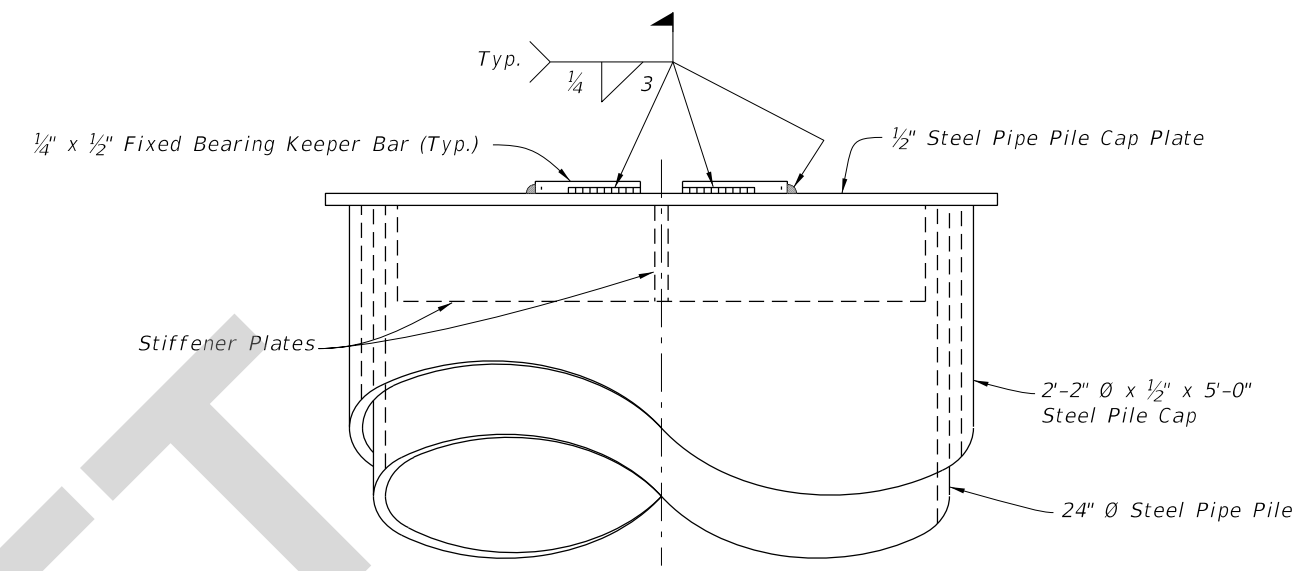
LAST REVISION 11/01/25	REVISION	DESCRIPTION:	 FY 2026-27 STANDARD PLANS	TEMPORARY DETOUR BRIDGE DETAILS STEEL PIPE PILE BACKWALL BENT	INDEX 102-230	SHEET 1 of 3
---------------------------	----------	--------------	---	--	------------------	-----------------



PARTIAL PLAN VIEW

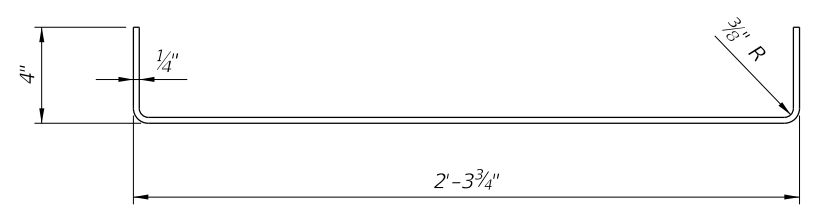


PARTIAL ELEVATION VIEW



END VIEW

Note:
Use Shim Plates as required to provide equal bearing seat elevations across the bent. Vary thickness of Shim Plate across the pile cap plate to provide a level bearing area in the transverse direction.

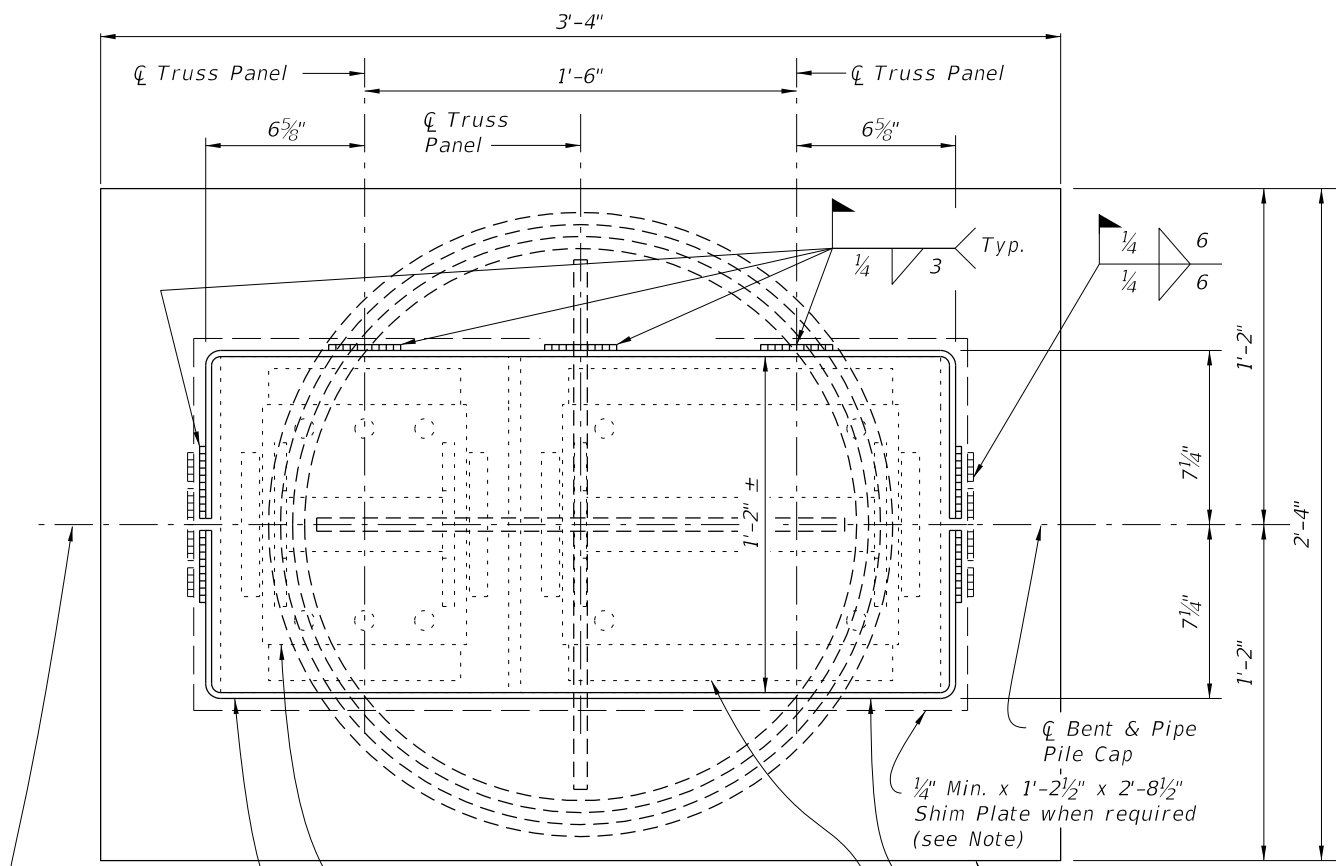


FIXED BEARING KEEPER BAR DETAIL

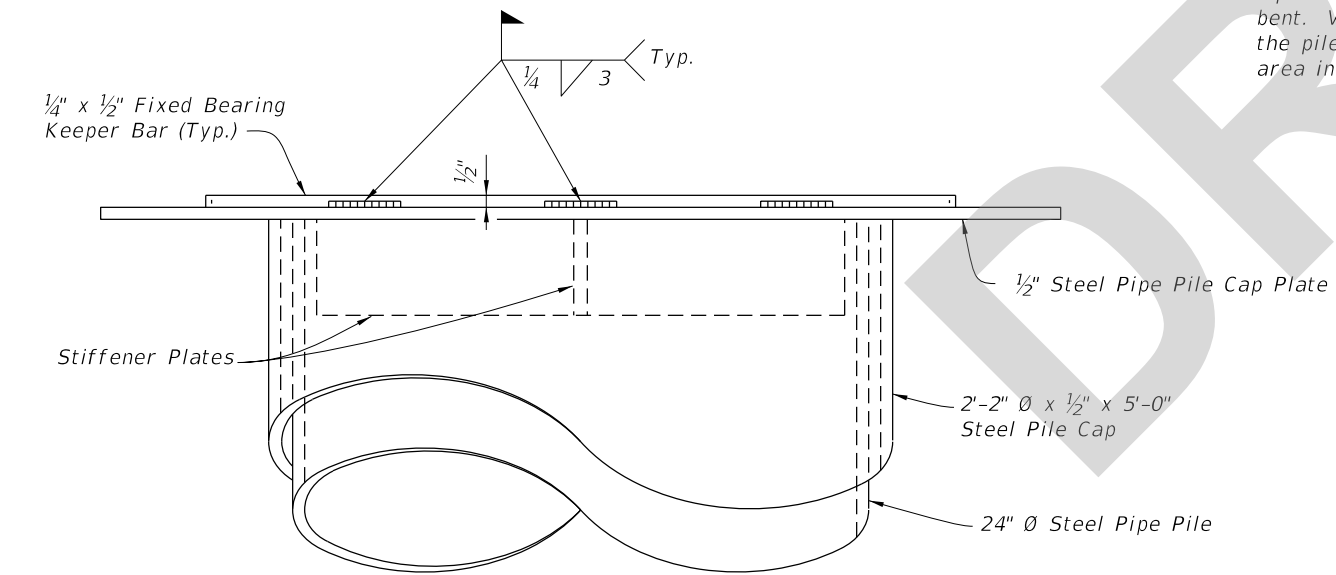
FIXED BEARING DETAILS

5/23/2025 12:16:12 PM

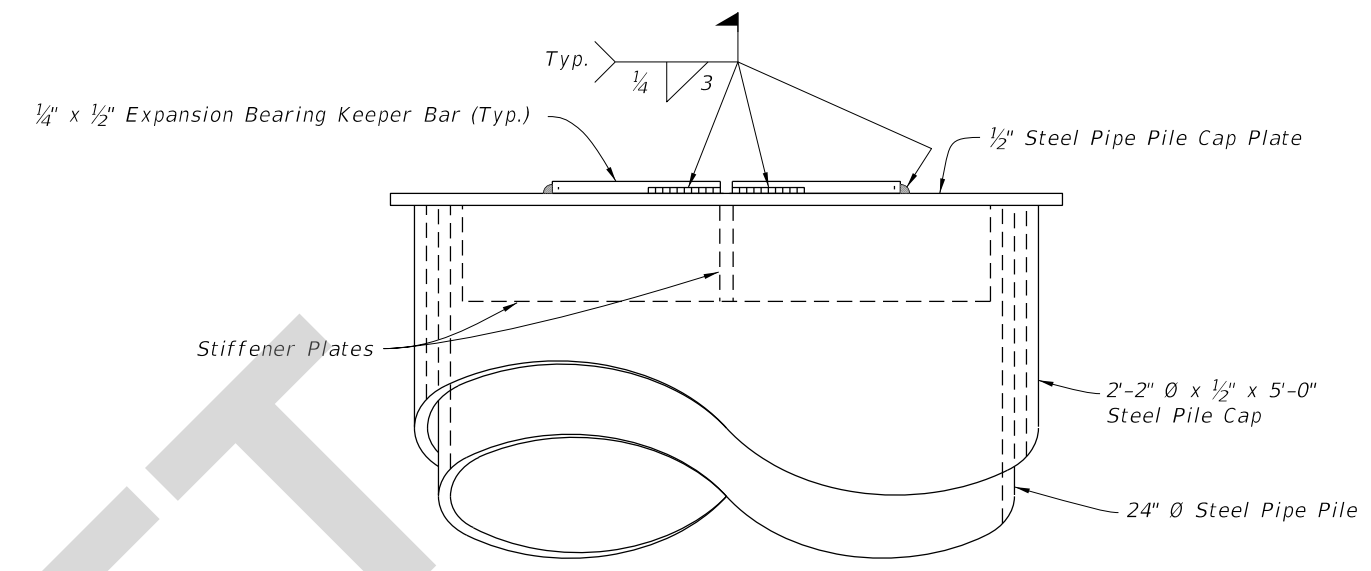
LAST REVISION 11/01/25	DESCRIPTION:	FDOT	FY 2026-27 STANDARD PLANS	TEMPORARY DETOUR BRIDGE DETAILS STEEL PIPE PILE BACKWALL BENT	INDEX 102-230	SHEET 2 of 3
---------------------------	--------------	------	------------------------------	--	------------------	-----------------



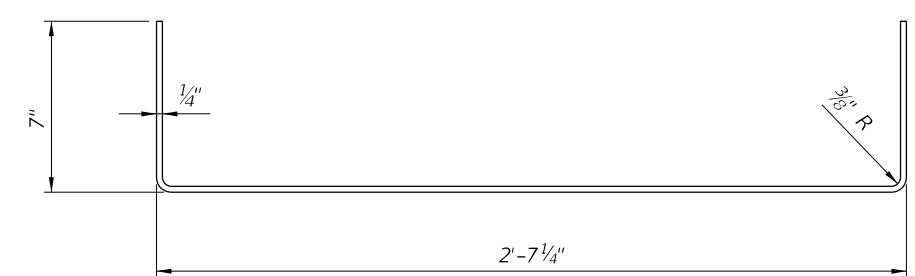
PARTIAL PLAN VIEW



PARTIAL ELEVATION VIEW



END VIEW



EXPANSION BEARING KEEPER BAR DETAIL

Note:
Use Shim Plates as required to provide equal bearing seat elevations across the bent. Vary thickness of Shim Plate across the pile cap plate to provide a level bearing area in the transverse direction.

ABUTMENT AND INTERMEDIATE EXPANSION BEARING DETAILS

5/23/2025 12:16:48 PM

LAST REVISION 11/01/25	DESCRIPTION:	FDOT	FY 2026-27 STANDARD PLANS	TEMPORARY DETOUR BRIDGE DETAILS STEEL PIPE PILE BACKWALL BENT	INDEX 102-230	SHEET 3 of 3
---------------------------	--------------	------	------------------------------	--	------------------	-----------------