

Origination Form
Proposed Revisions to a Standard Plans Index

Originator:	Turley, Joshua	Index Number:	102-220
Date:	5/15/2025	Sheet Number(s):	All Sheets
E-mail:	Joshua.Turley@dot.state.fl.us	Index Title:	TEMPORARY DETOUR BRIDGE STEEL H PILE FOUNDATIONS

Summary of the changes:

All: Changed the Title of the index from "Foundations" to "Backwall Bent"
Sheet 2: Updated references of "Filter Fabric" to "Geotextile"

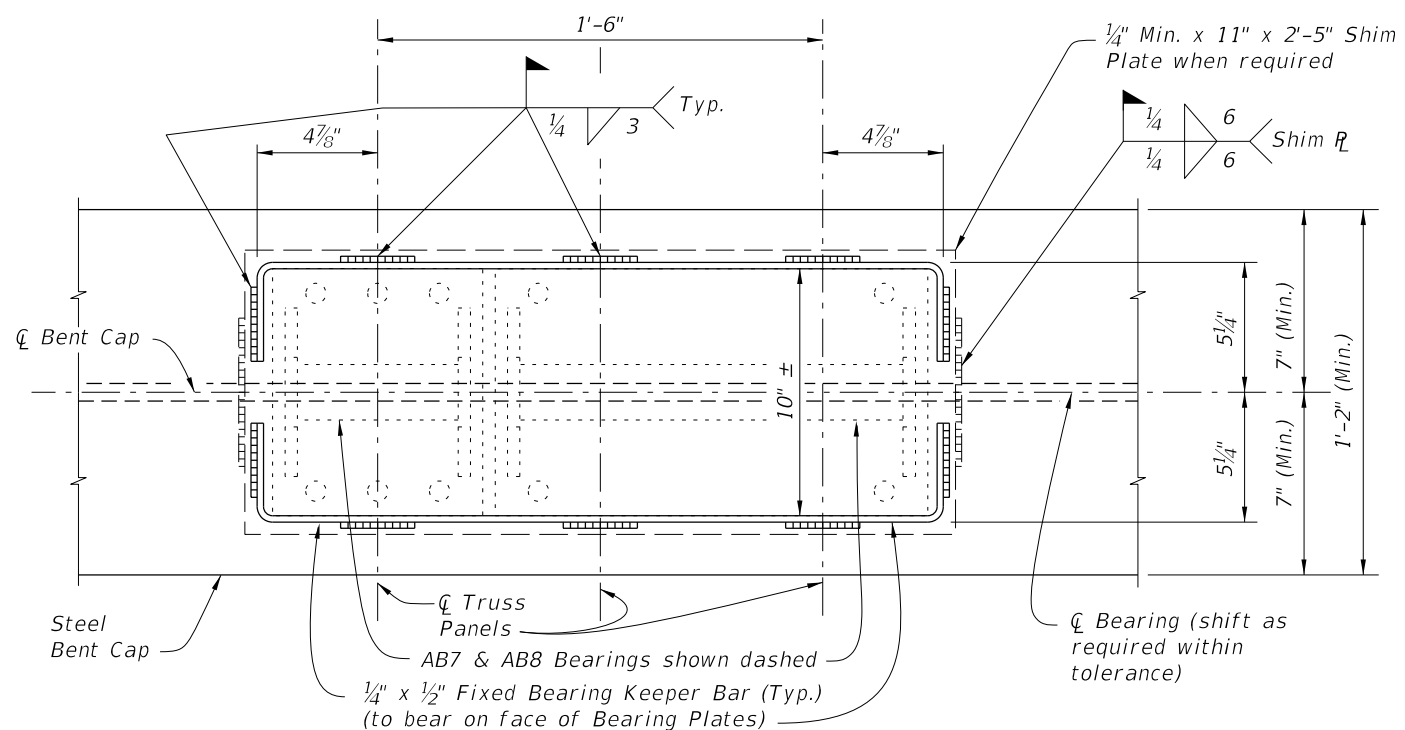
Commentary/Background:

All: Updating sheet title to reflect the more precise terminology
Sheet 2: Missed these callouts when clarifying these references in the past

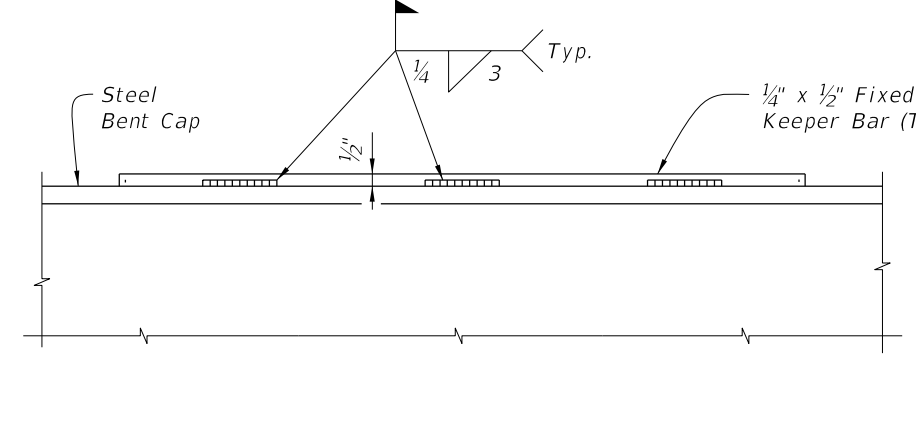
Other Affected Documents/Offices	Person Contacted	Affected (Yes/No)
Other Standard Plans		No
FDOT Design Manual		No
Standard Specifications		No
Basis of Estimates Manual		No
Approved Product List		No
Construction Office		No
Maintenance Office		No

Implementation

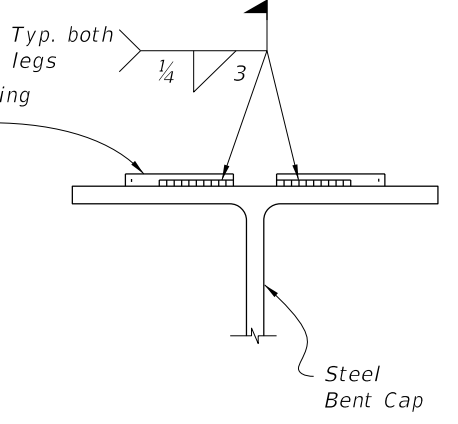
["FY-Standard Plans (Next Release)"]



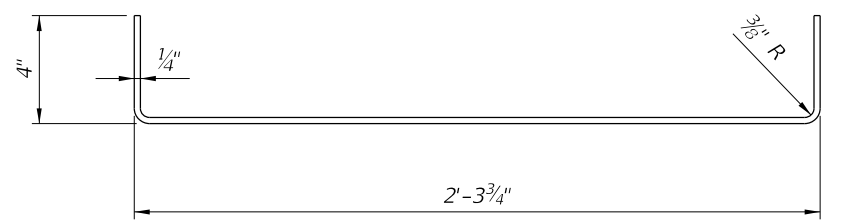
PARTIAL PLAN VIEW



PARTIAL ELEVATION VIEW

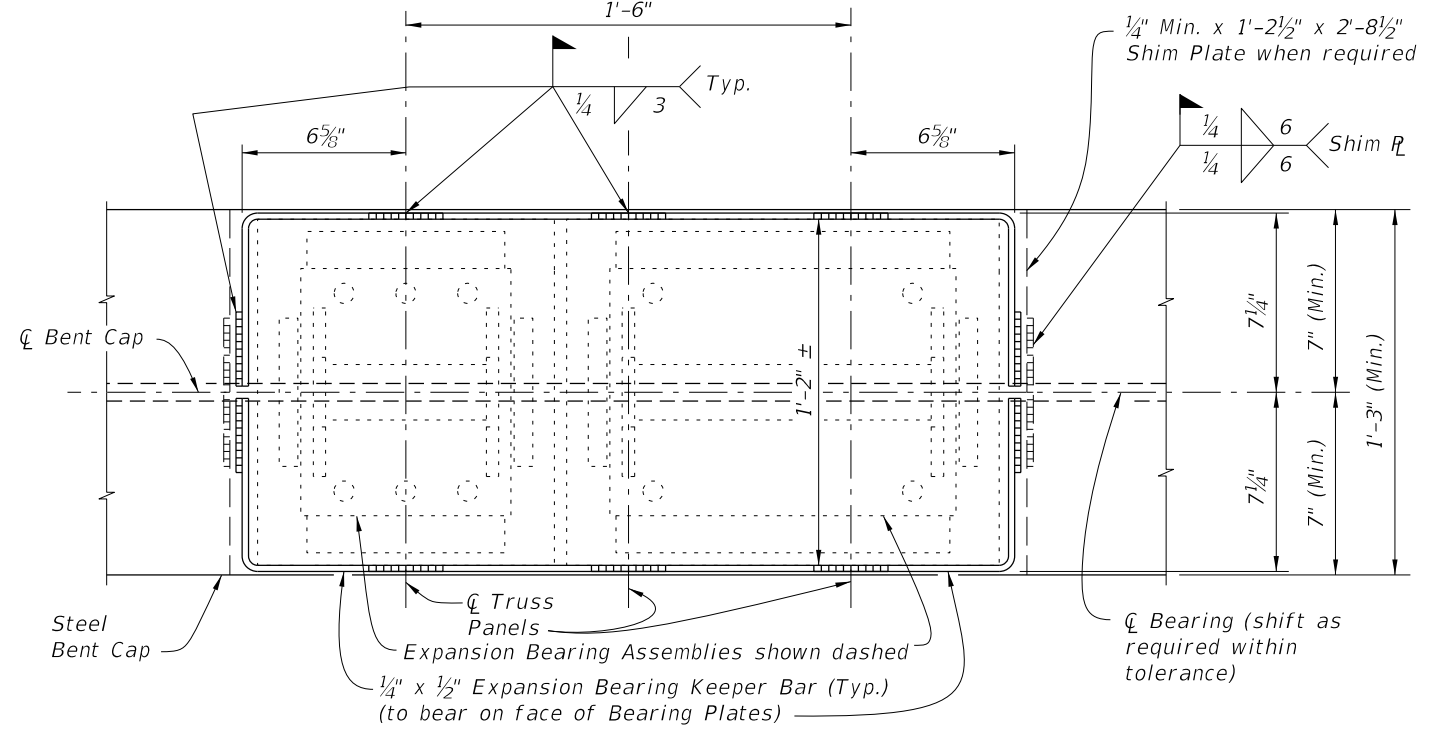


END VIEW

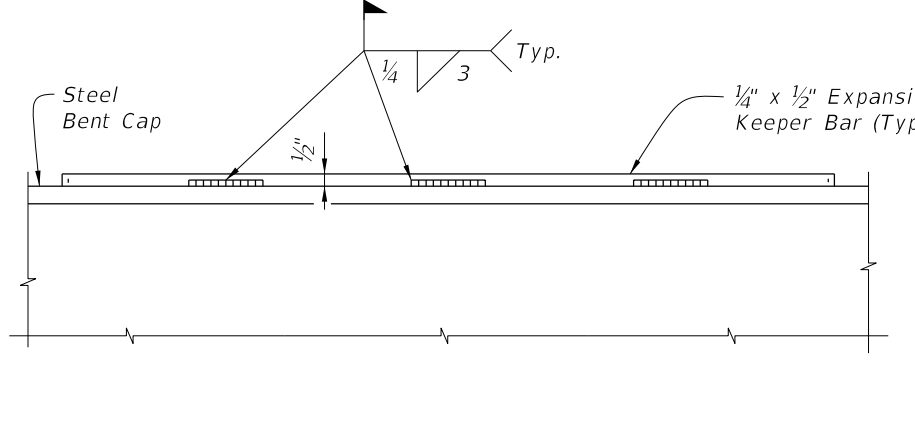


FIXED BEARING KEEPER BAR DETAIL

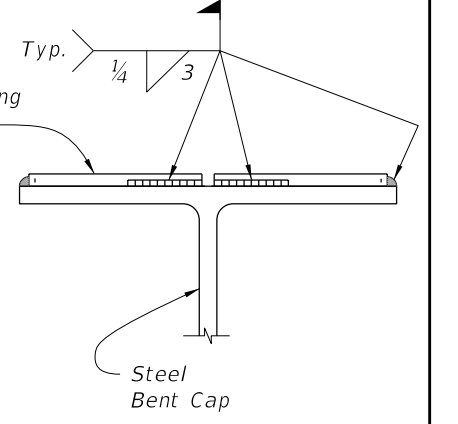
==== FIXED BEARING DETAILS ====



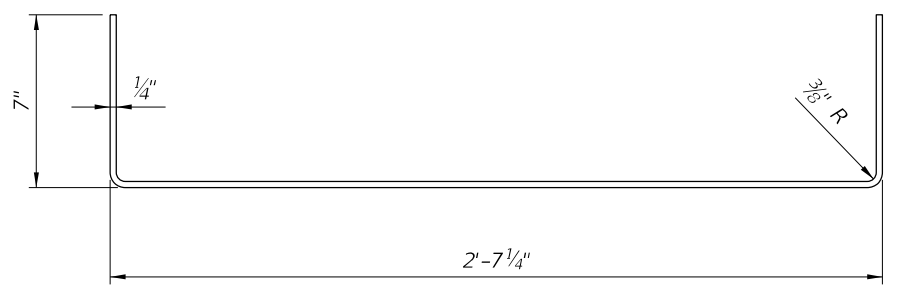
PARTIAL PLAN VIEW



PARTIAL ELEVATION VIEW

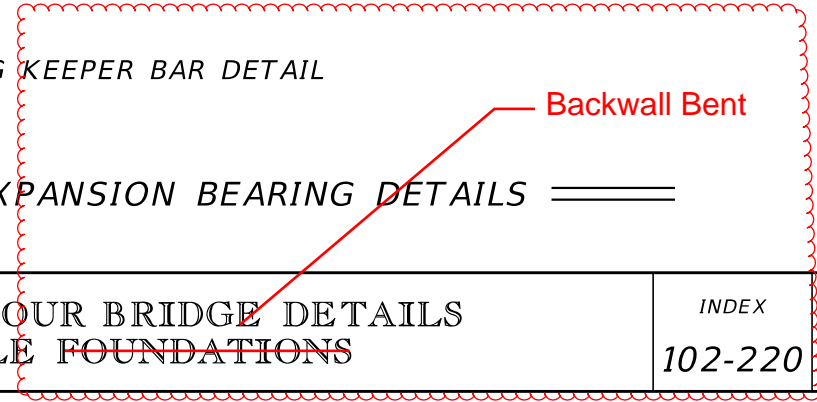


END VIEW



EXPANSION BEARING KEEPER BAR DETAIL

==== EXPANSION BEARING DETAILS ====



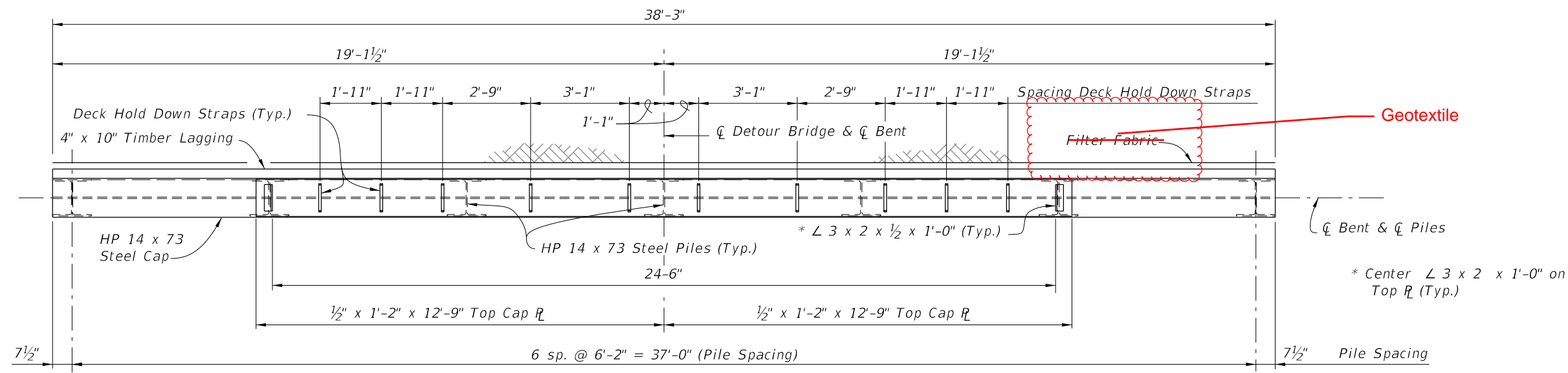
10/17/2024 8:02:11 AM

LAST REVISION	DESCRIPTION:
01/01/16 11/01/25	

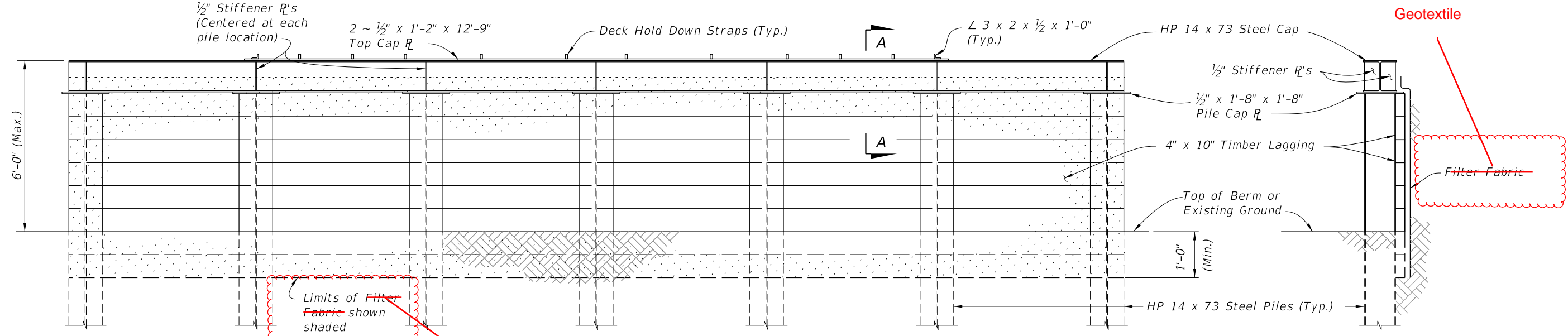
2026-27
FY ~~2025-26~~
STANDARD PLANS

TEMPORARY DETOUR BRIDGE DETAILS
STEEL H PILE FOUNDATIONS

INDEX	SHEET
102-220	1 of 2

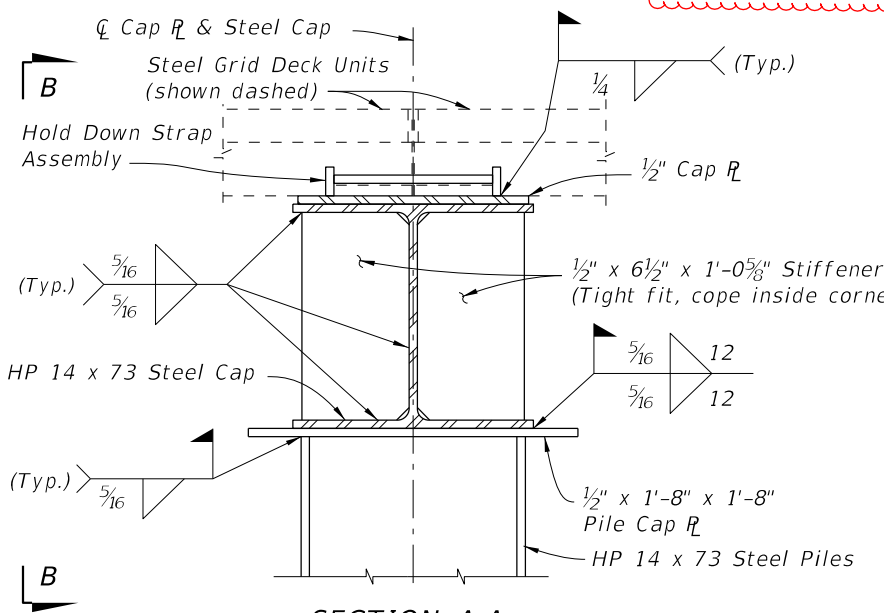


PLAN VIEW

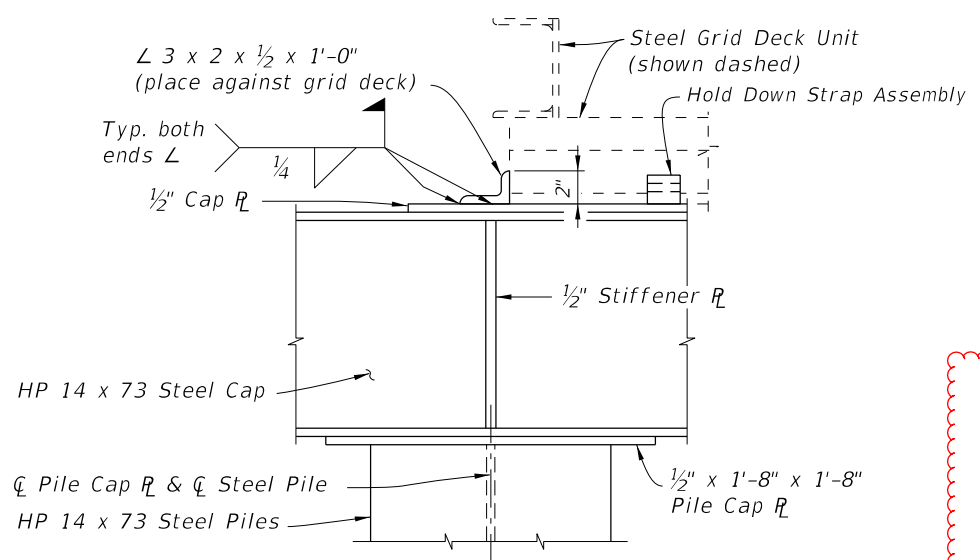


ELEVATION VIEW

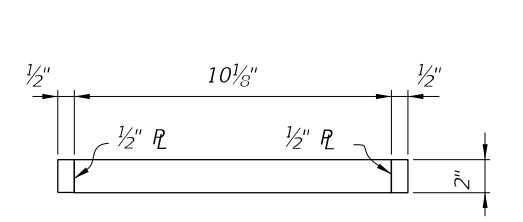
END VIEW



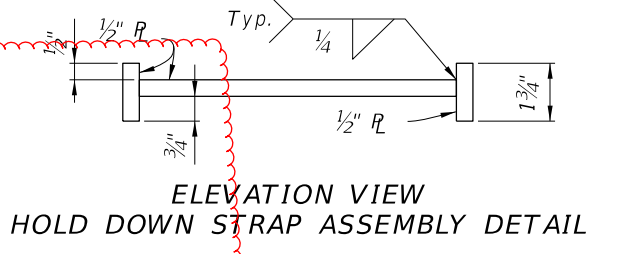
SECTION A-A
(LAGGING NOT SHOWN FOR CLARITY)



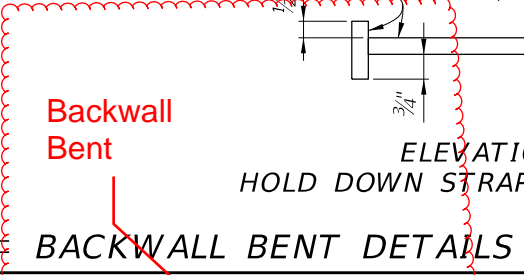
VIEW B-B



PLAN VIEW



ELEVATION VIEW
HOLD DOWN STRAP ASSEMBLY DETAIL



BACKWALL BENT DETAILS

10/17/2024 8:02:17 AM

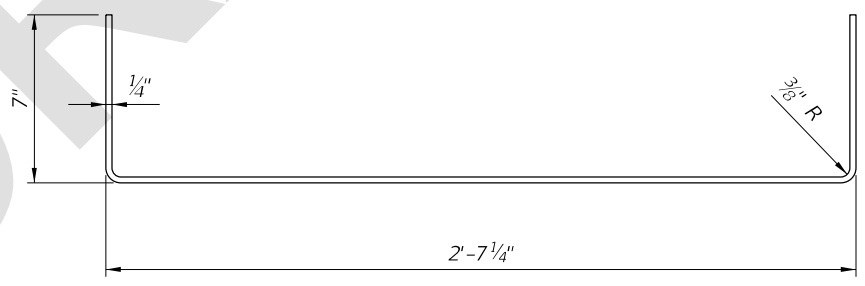
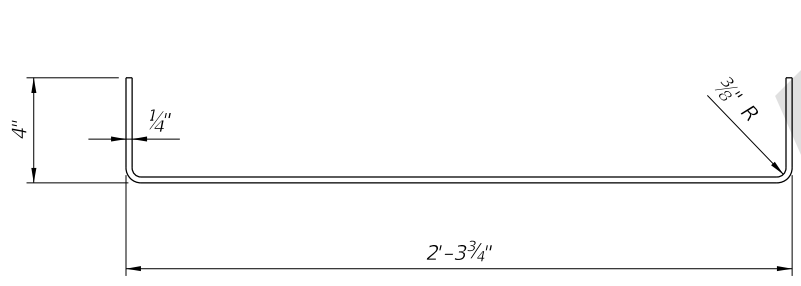
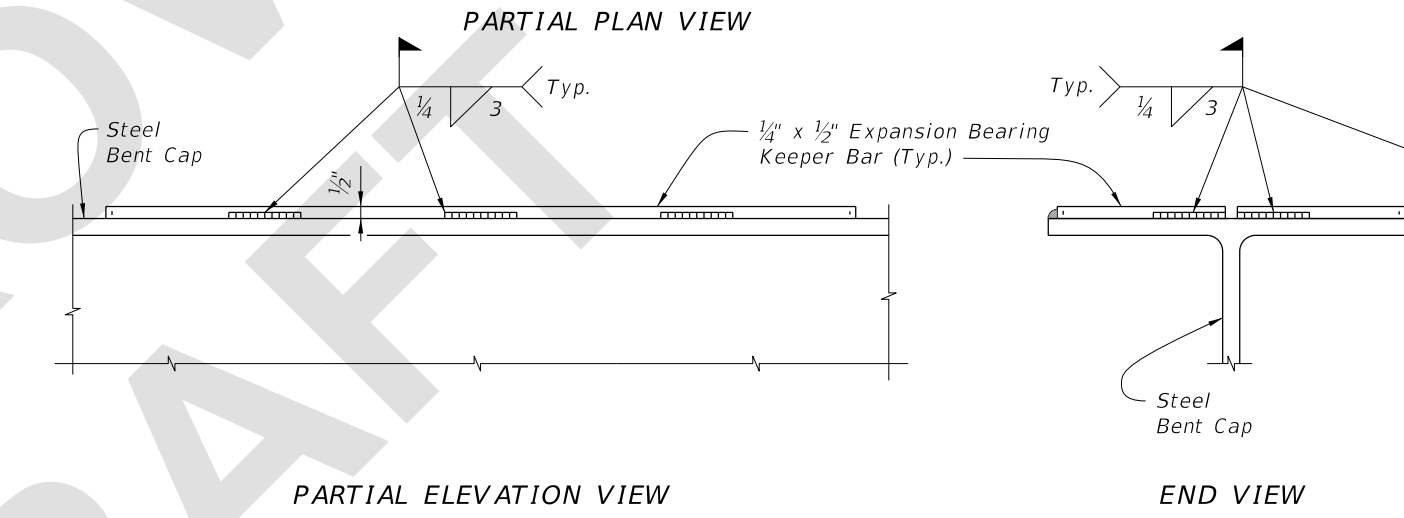
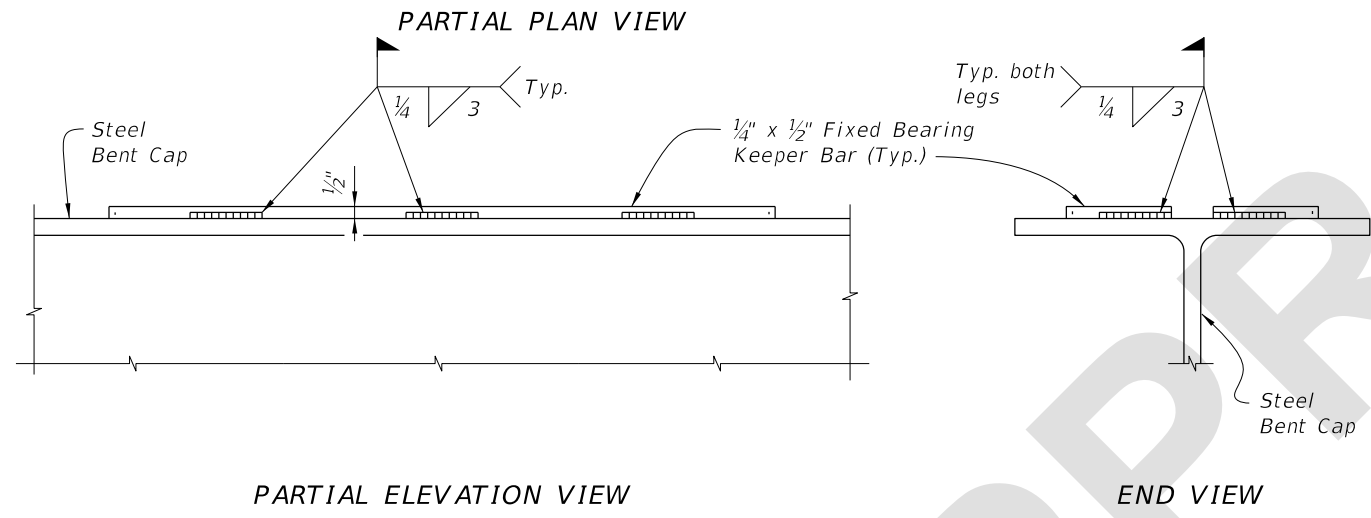
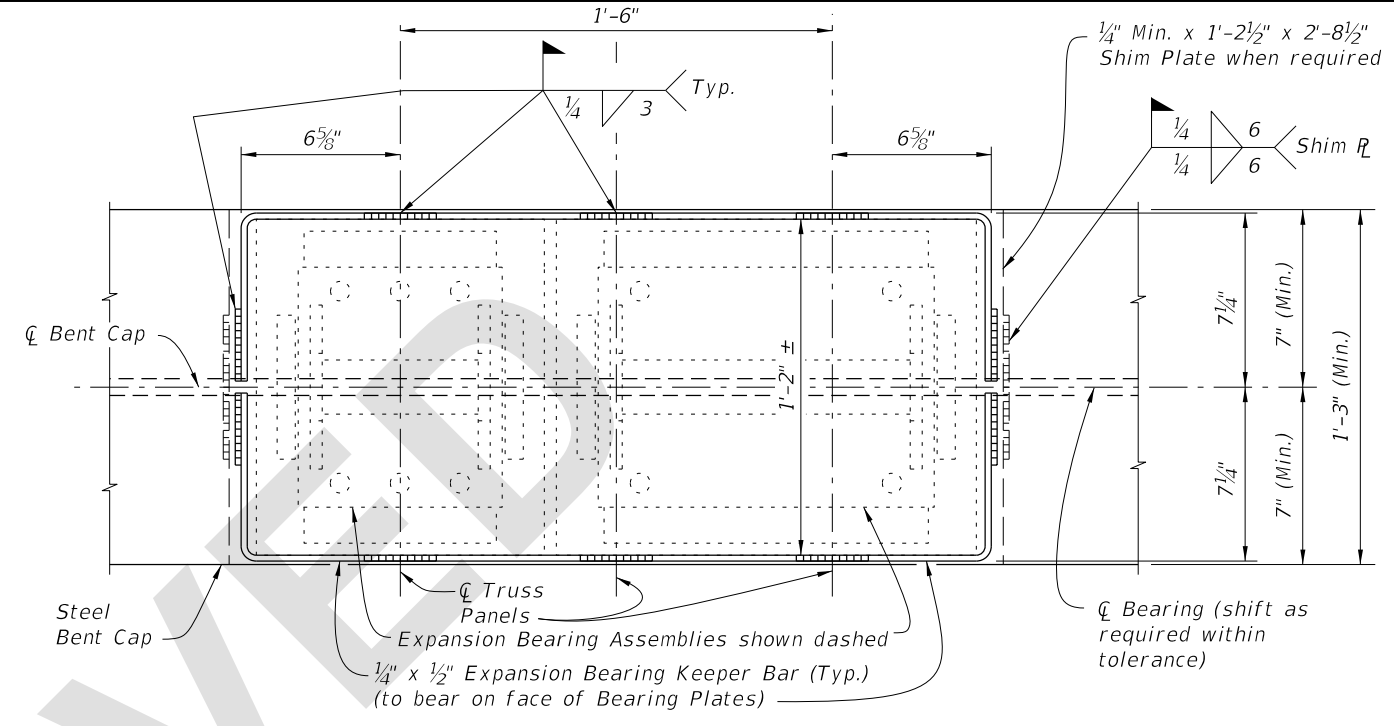
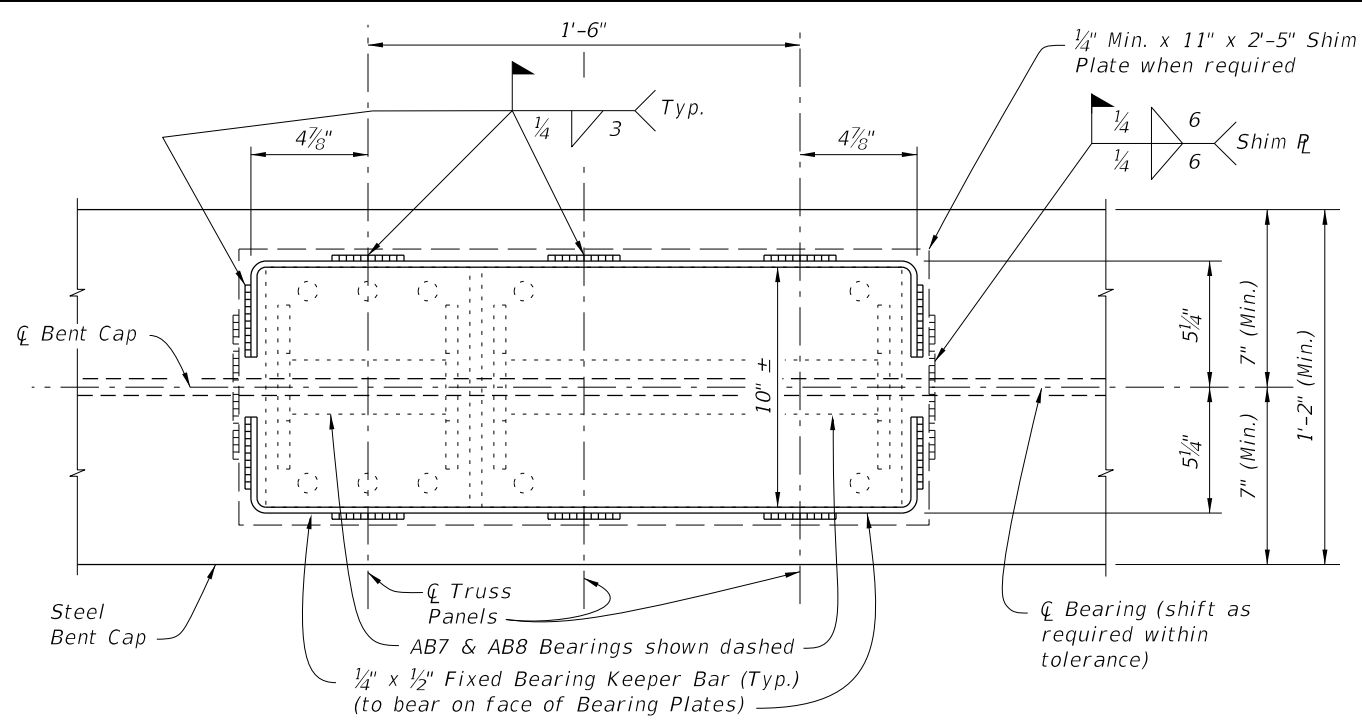
LAST REVISION	DESCRIPTION:
07/01/06	
11/01/25	

2026-27

FY ~~2025-26~~
STANDARD PLANS

TEMPORARY DETOUR BRIDGE DETAILS
STEEL H PILE FOUNDATIONS

INDEX	SHEET
102-220	2 of 2




FIXED BEARING KEEPER BAR DETAIL

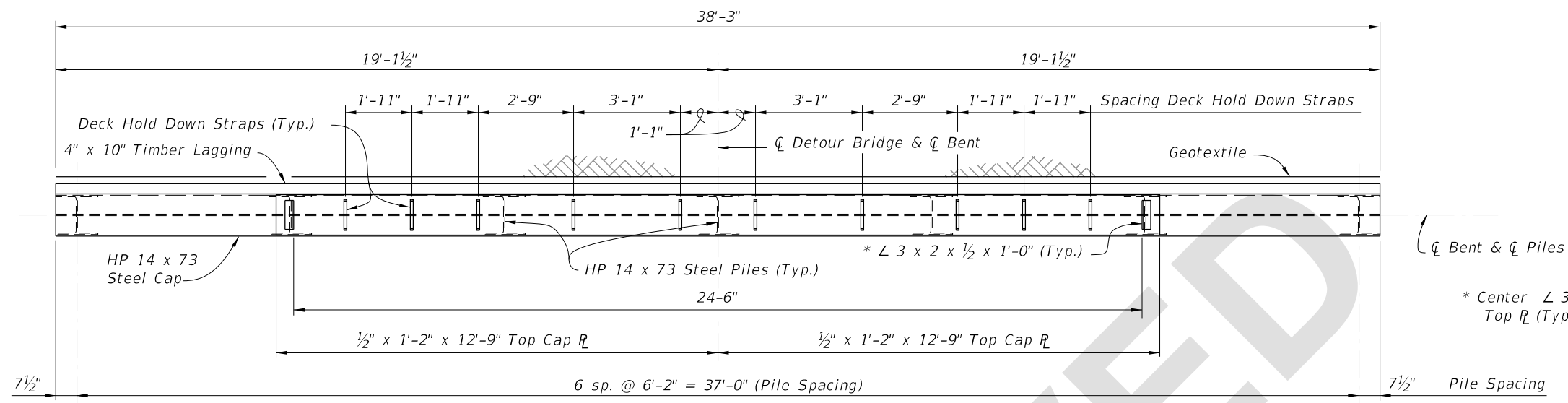
EXPANSION BEARING KEEPER BAR DETAIL

FIXED BEARING DETAILS

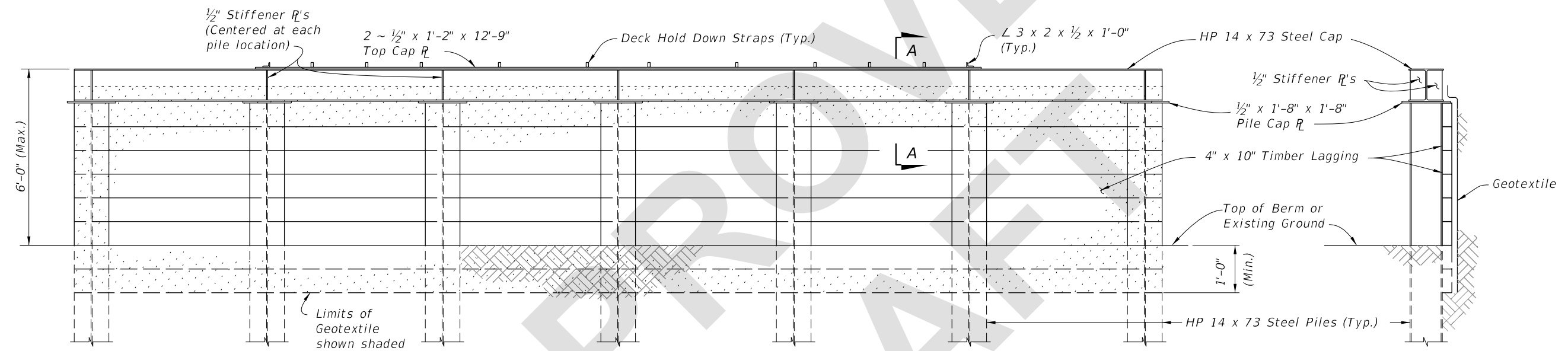
EXPANSION BEARING DETAILS

5/23/2025 12:14:57 PM

LAST REVISION	11/01/25	DESCRIPTION:	 FY 2026-27 STANDARD PLANS	TEMPORARY DETOUR BRIDGE DETAILS STEEL H PILE BACKWALL BENT	INDEX	SHEET
					102-220	1 of 2

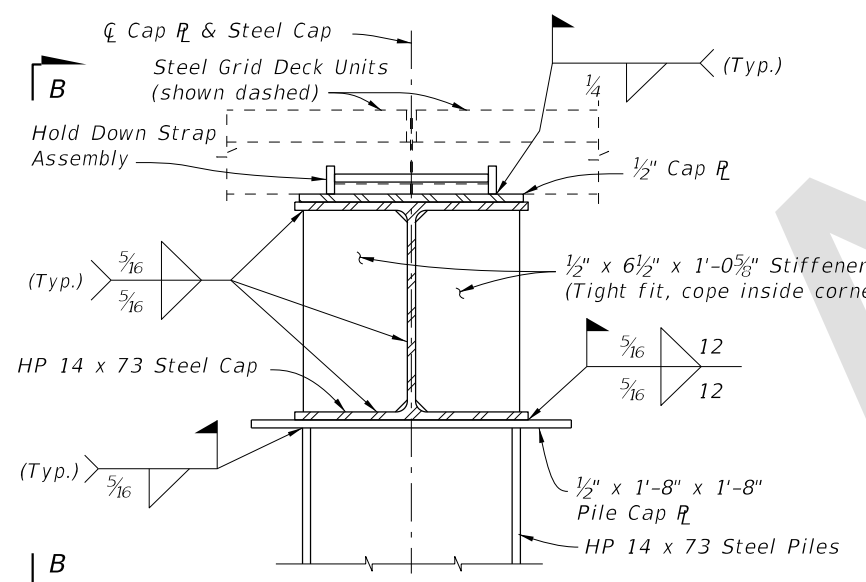


PLAN VIEW

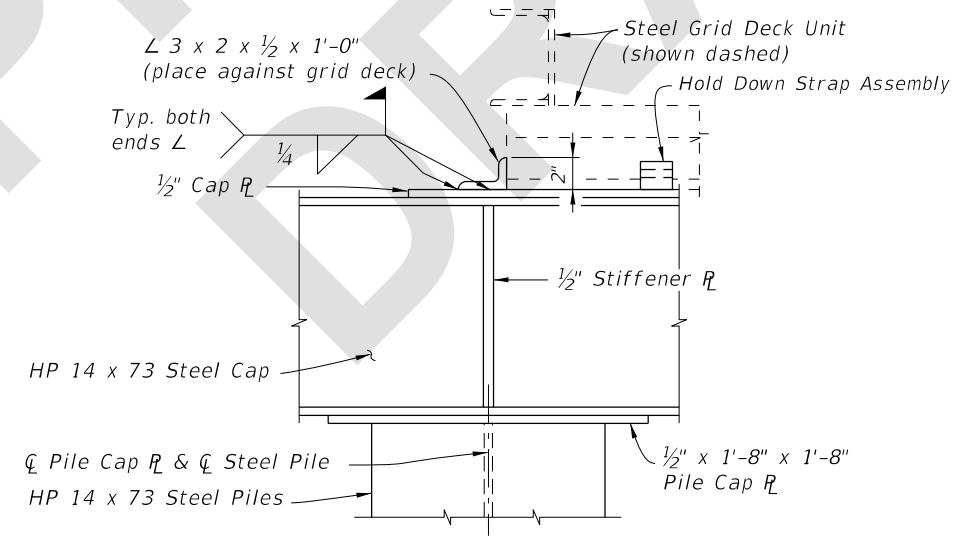


ELEVATION VIEW

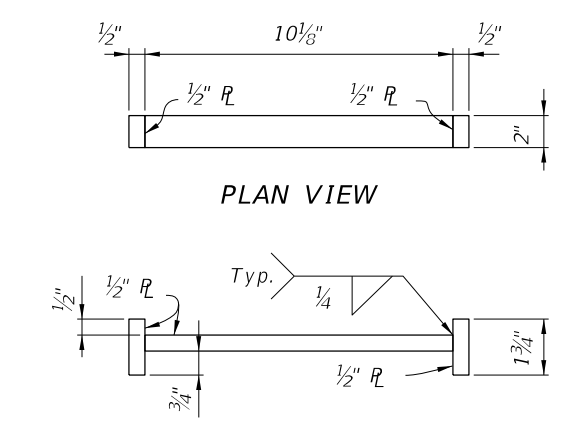
END VIEW



SECTION A-A
(LAGGING NOT SHOWN FOR CLARITY)



VIEW B-B




PLAN VIEW

ELEVATION VIEW
HOLD DOWN STRAP ASSEMBLY DETAIL

BACKWALL BENT DETAILS

5/23/2025 12:15:22 PM

LAST REVISION 11/01/25	REVISION	DESCRIPTION:		FY 2026-27 STANDARD PLANS	TEMPORARY DETOUR BRIDGE DETAILS STEEL H PILE BACKWALL BENT	INDEX 102-220	SHEET 2 of 2
---------------------------	----------	--------------	---	------------------------------	---	------------------	-----------------