

# Origination Form

## Proposed Revisions to a Standard Plans Index

<b>Originator:</b>	Stepp, Richard	<b>Index Number:</b>	715-003
<b>Date:</b>	6/14/24	<b>Sheet Number(s):</b>	All Sheets
<b>E-mail:</b>	richard.stepp@dot.state.fl.us	<b>Index Title:</b>	Utility Conflict Pole

### Summary of the changes:

Sheet 1: In the Light Pole Elevation, updated labeling to account for both options of foundation (Shaft and Spread Footing); Replaced High Pressure Sodium light fixture graphic with an LED light fixture  
 Sheet 2: Replaced High Pressure Sodium light fixture graphic with an LED light fixture  
 Sheet 3: Updated sheet title to "SHAFT FOUNDATION OPTION AND BASE DETAILS"; Update Elevation view title to "SHAFT FOUNDATION ELEVATION".  
 Sheet 4 (New): Added new sheet for "SPREAD FOOTING FOUNDATION OPTION"

### Commentary/Background:

Sheet 4: As requested by Districts, this new sheet adds another foundation option for Utility Conflict Poles placed in a sidewalk location. This spread footing foundation is similar to the option offered in 715-002. Note that this option is already covered as a "Standard Foundation" and is already included with the existing BOE Pay Item Structure.

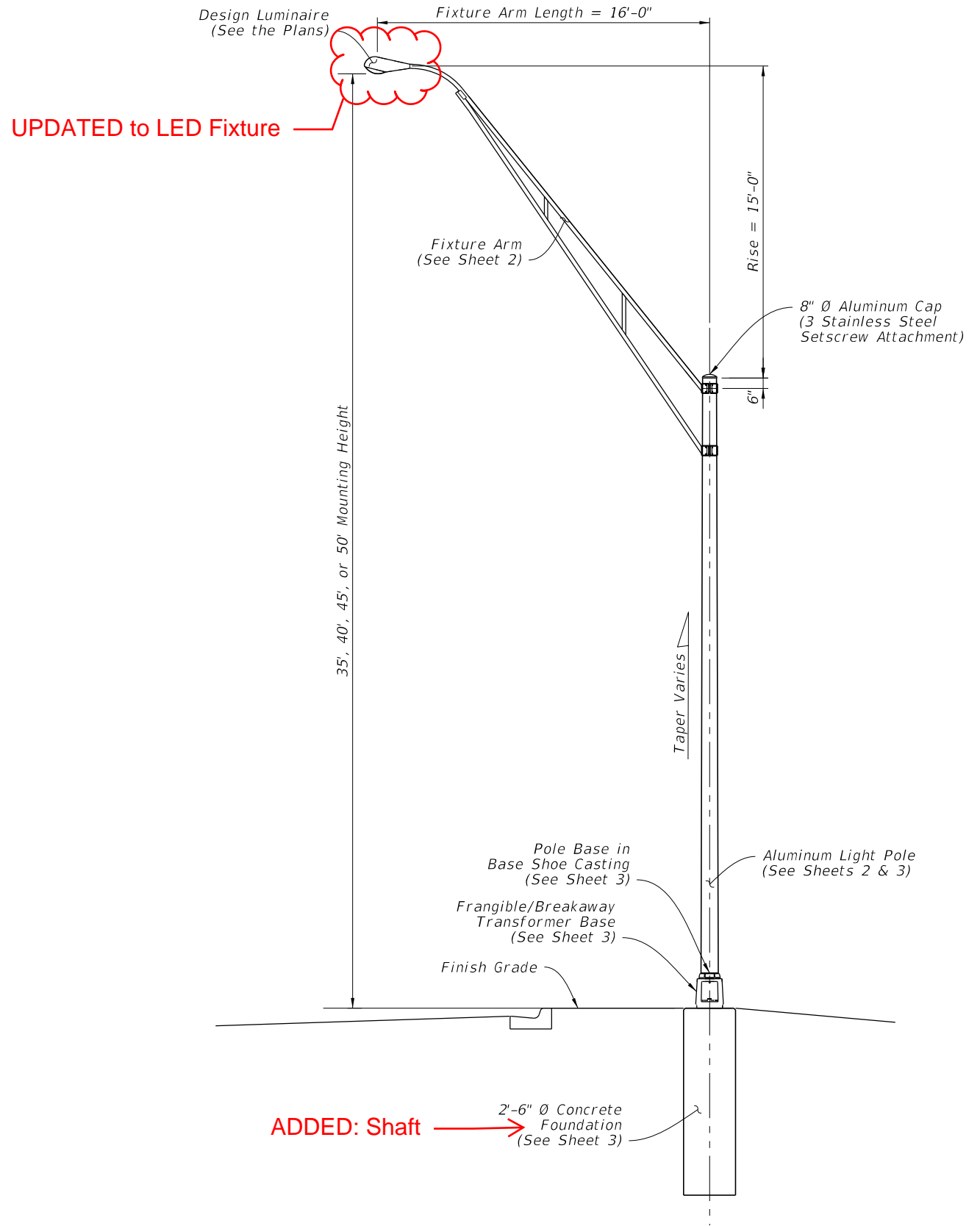
Other Affected Documents/Offices	Person Contacted	Affected (Yes/No)
Other Standard Plans		No
FDOT Design Manual		No
Standard Specifications		No
Basis of Estimates Manual		No
Approved Product List		No
Construction Office		No
Maintenance Office		No

### Implementation

--

**GENERAL NOTES:**

1. LUMINAIRE LOAD: Poles are designed to support the following:
  - A. Luminaire Effective Projected Area (EPA): 1.55 SF
  - B. Luminaire Weight: 75 lb.
2. SHOP DRAWINGS: This Index is considered fully detailed; only submit shop drawings for minor modifications not included in the Plans.
3. MATERIALS:
  - A. Pole, Arm Tubes, Strut Tubes, Bars, Plates, Stiffeners: ASTM B221, Alloy 6063-T6 or Alloy 6061-T6
  - B. Pole Connection Extrusion Clamp: ASTM B221, Alloy 6061-T6
  - C. Caps and Covers: ASTM B-26, Alloy 319-F
  - D. Aluminum Weld Material: ER 4043
  - E. Transformer and Frangible Base Materials: ASTM B26 or ASTM B108, Alloy 356-T6
  - F. Base Bolts, Nuts and Washers:
    - a. Shoe Base Bolts: ASTM F3125, Grade A325, Type 1
    - b. Nuts: ASTM A563 Grade DH Heavy-Hex
    - c. Washer: ASTM F436 Type 1
  - G. Anchor Bolts, Nuts, and Washers:
    - a. Anchor Bolts: ASTM F1554 Grade 55
    - b. Nuts: ASTM A563 Grade A Heavy-Hex
  - H. Clamp Hardware: See Sheet 2
  - I. Stainless Steel Cap Fasteners: ASTM F593 Alloy Group 2, Condition A, CW1 or SH1
  - J. Nut Covers: ASTM B26 (319-F)
  - K. Concrete: Class II
  - L. Reinforcing Steel: Specification 415
4. FABRICATION:
  - A. Weld Arm and Pole Alloy in the T4 temper using 4043 filler. Age the Arm and Pole artificially to the T6 temper after welding.
  - B. Transverse welds are only allowed at the base.
  - C. Light Pole Properties: Taper as required to provide a round top O.D. of 8" and a base O.D. of 10" for all pole heights. Portions of the pole near the base shoe and at the arm connections may be held constant to simplify fabrication. Maintain pole wall thickness of 0.313" Min.
  - D. Fixture Arm Tube Properties: See Sheet 2.
  - E. Provide 'J', 'S' or 'C' hook at top of pole for electrical wires.
  - F. Perform all welding in accordance with AWS D1.2.
  - G. Identification Tag: (Submit details for approval.)
    - a. 2" x 4" (Max.) aluminum identification tag.
    - b. Locate on the inside of the transformer base and visible from the door opening.
    - c. Secure to transformer base with 1/8" diameter stainless steel rivets or screws.
    - d. Include the following information on the ID Tag:
      1. Financial Project ID
      2. Pole Height
      3. Manufacturer's Name
5. COATINGS/FINISH:
  - A. Pole and Arm Finish: 50 grit satin rubbed.
  - B. Galvanize Steel Bolts, Screws, Nuts and Washers: ASTM F2329
  - C. Hot Dip Galvanize miscellaneous steel items: ASTM A123
6. CONSTRUCTION:
  - A. Foundation: Specification 455, except payment for the foundation is included in the cost of the pole.
  - B. Frangible Base, Base Shoe, and Pole Connection Extrusion Clamp:
    - a. Certify that the Pole Connection Extrusion Clamp, Frangible Transformer Base, and Base Shoe Design are capable of providing the required capacity, assuming a design wind speed of 160 MPH.
    - b. Certify the Base conforms to the FHWA required AASHTO Frangibility Requirements, tested under NCHRP Report 350 Guidelines (e.g. Akron Foundry TB1-17).
    - c. Do not erect pole without Luminaire attached.



**LIGHT POLE - ELEVATION**  
 (Shaft Foundation Shown,  
 Spread Footing Foundation Similar)

10/4/2023 6:56:29 AM

2025-2026



FY ~~2024-25~~  
 STANDARD PLANS

UTILITY CONFLICT POLE

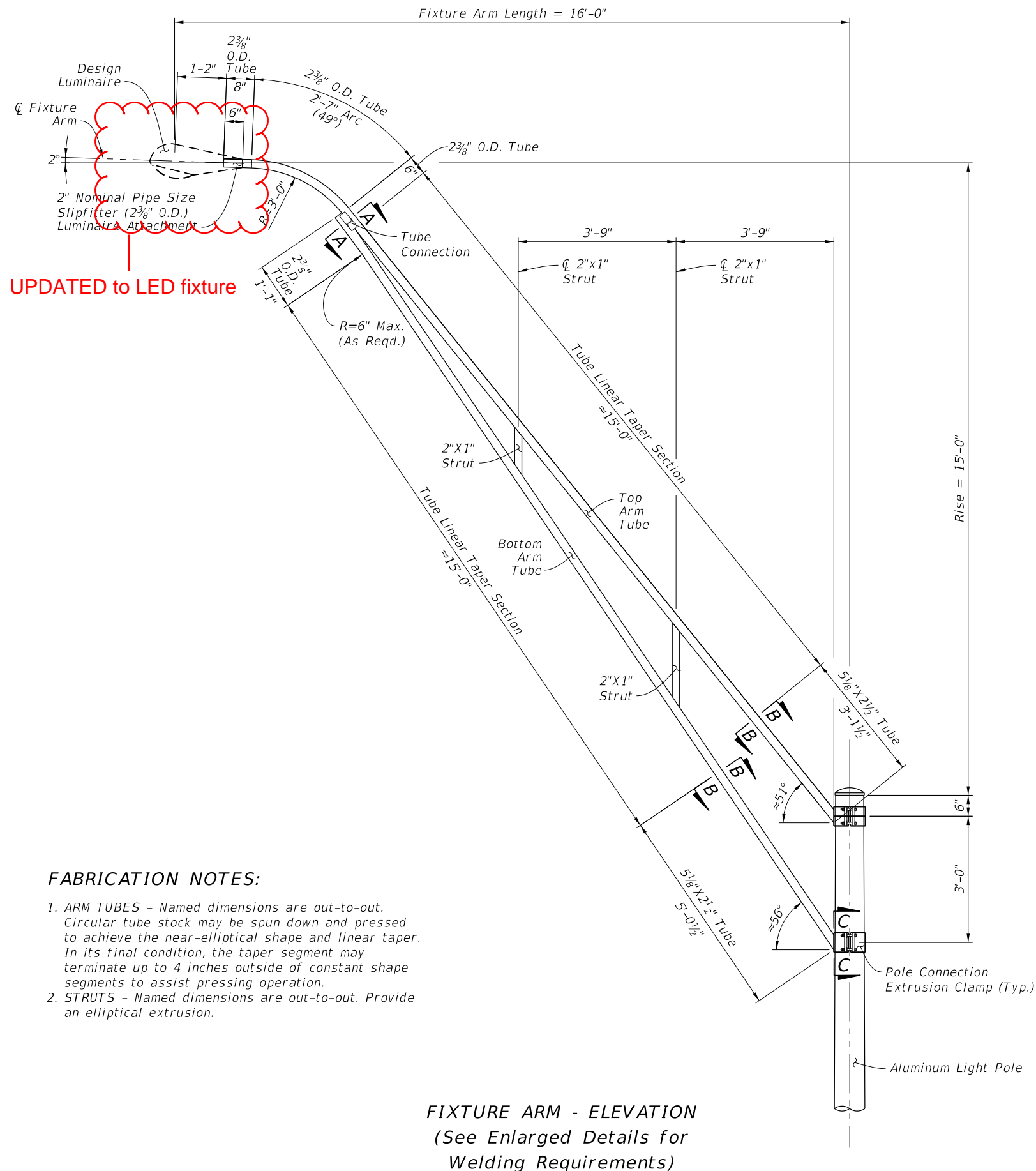
INDEX  
 715-003

SHEET  
 1 of 4

LAST REVISION  
~~11/01/21~~  
 11/01/24

REVISION DESCRIPTION:

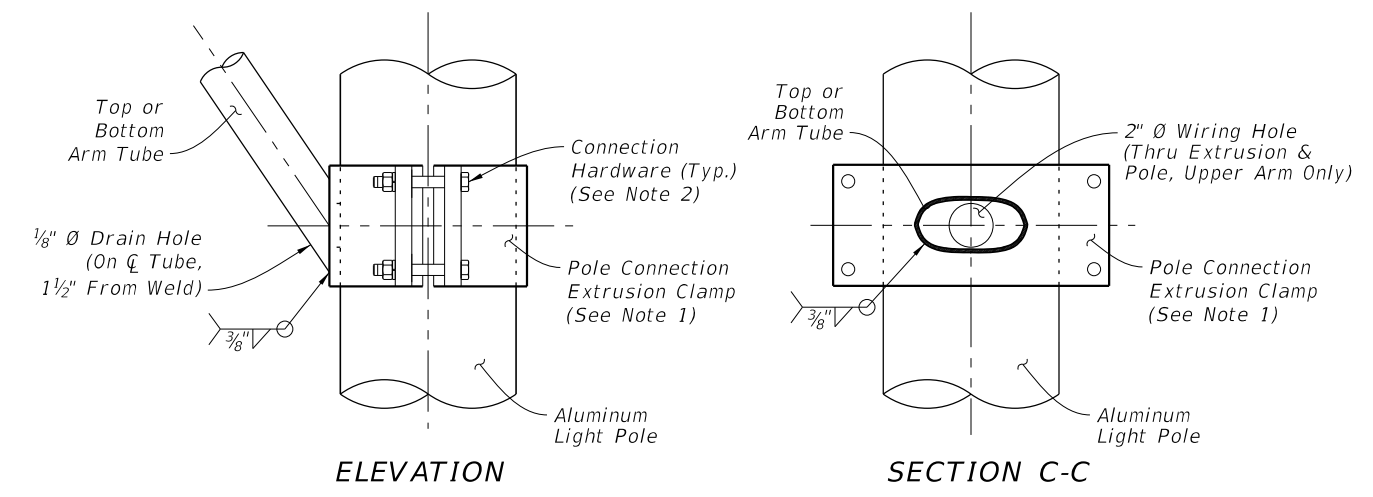
10/4/2023 6:56:36 AM



**FIXTURE ARM - ELEVATION**  
(See Enlarged Details for Welding Requirements)

**FABRICATION NOTES:**

1. **ARM TUBES** - Named dimensions are out-to-out. Circular tube stock may be spun down and pressed to achieve the near-elliptical shape and linear taper. In its final condition, the taper segment may terminate up to 4 inches outside of constant shape segments to assist pressing operation.
2. **STRUTS** - Named dimensions are out-to-out. Provide an elliptical extrusion.

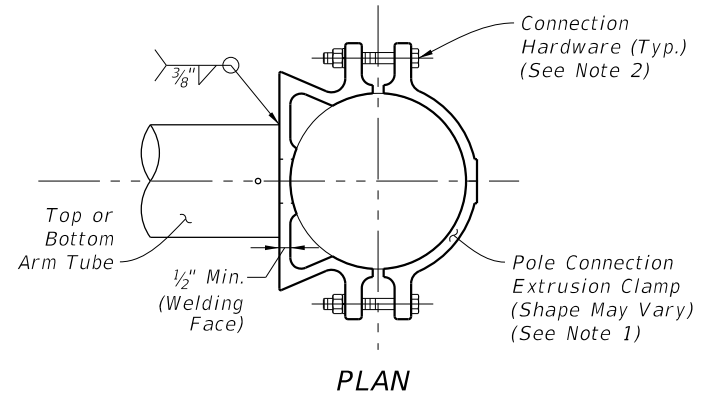


**ELEVATION**

**SECTION C-C**

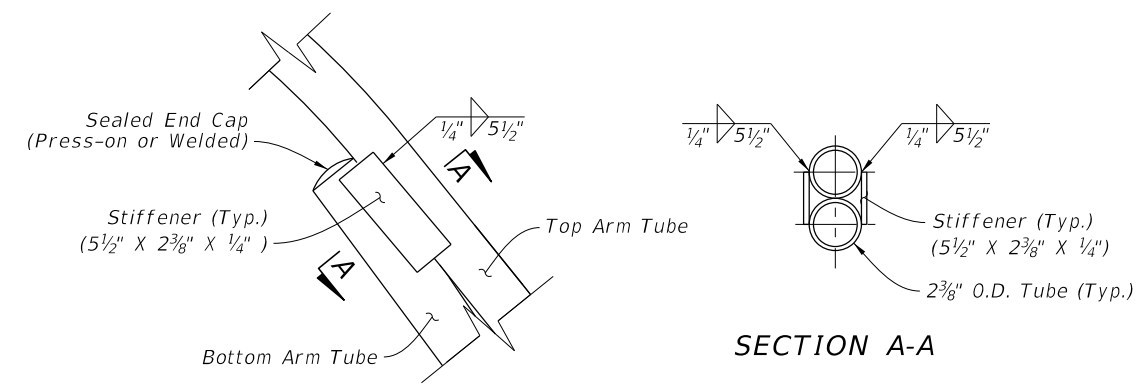
**POLE CONNECTION NOTES:**

1. The Pole Connection Extrusion Clamp shown may vary by manufacturer. Provide a design that meets the requirements of General Note 6.B.a., including the connection hardware sizing.
2. Provide connection hardware with 13NC AISI Grade 316 stainless steel 1/2" min. bolts, nuts, and spring lock washers. Use flat washers per ASTM F593G & F594G, Alloy Group 2, Condition CW1.



**PLAN**

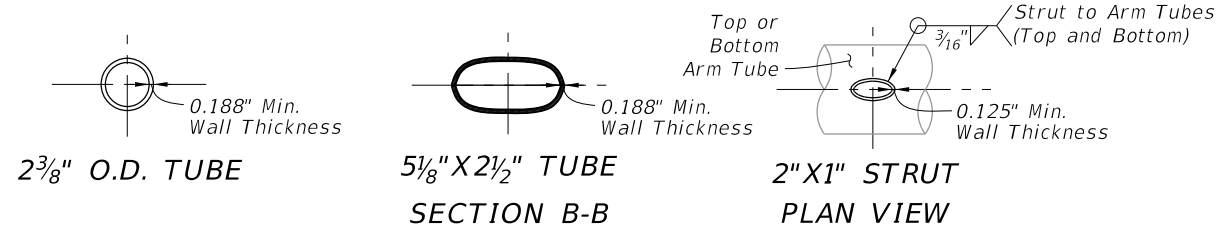
**POLE CONNECTION DETAILS**



**ELEVATION**

**SECTION A-A**

**TUBE CONNECTION DETAILS**



**2 3/8" O.D. TUBE**

**5 1/8" X 2 1/2" TUBE**

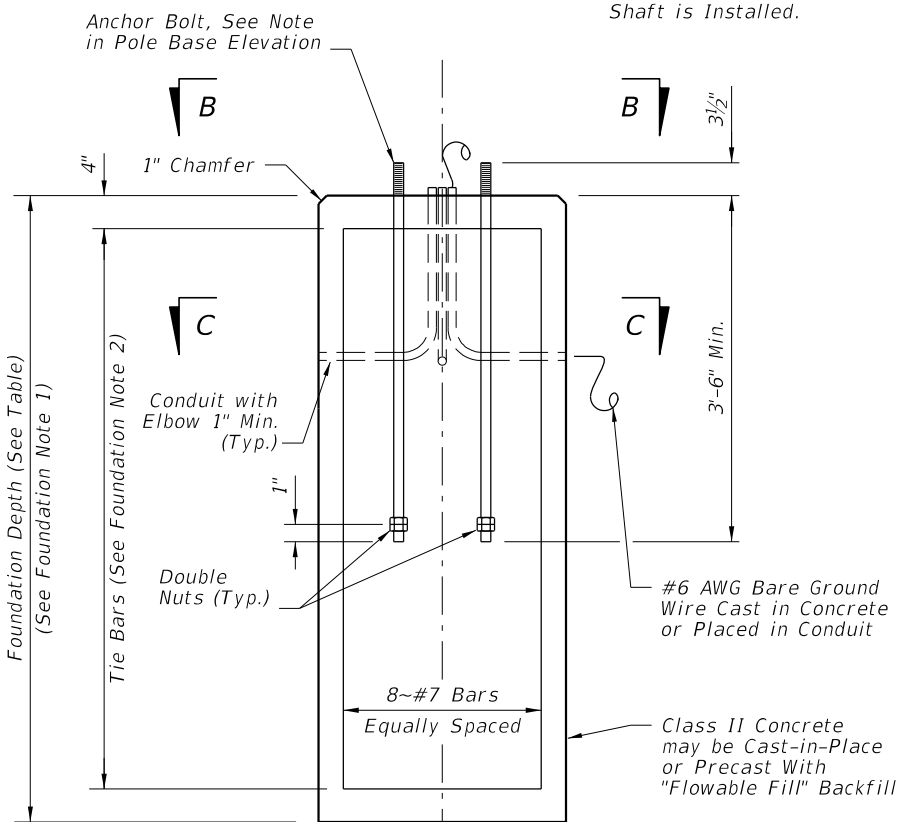
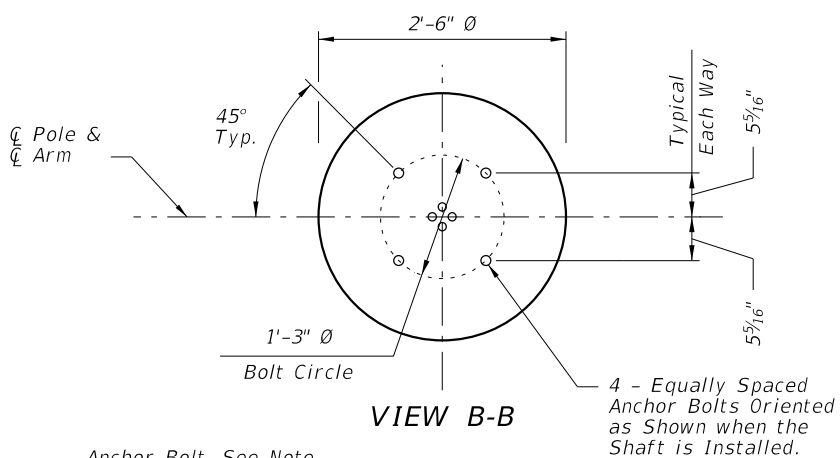
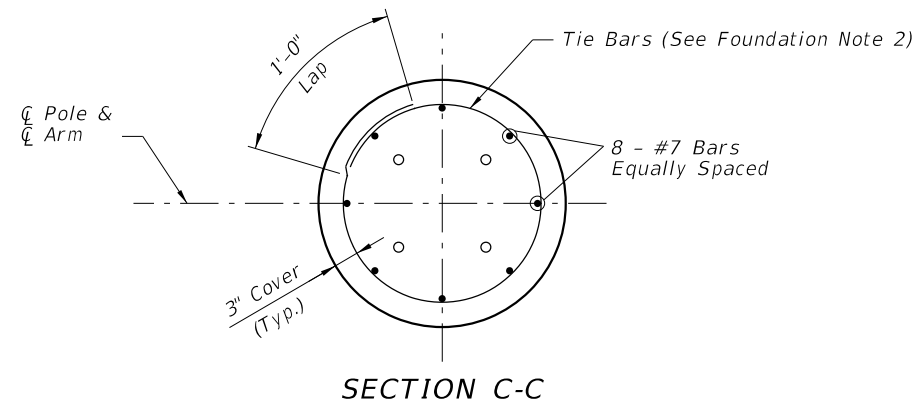
**2" X 1" STRUT**

**TUBE SECTION DETAILS**

**FIXTURE ARM ASSEMBLY**

<p style="text-align: center;"><b>2025-26</b></p> <p style="text-align: center;"><del>FY 2024-25</del> <b>STANDARD PLANS</b></p>		<p><b>UTILITY CONFLICT POLE</b></p>		<p>INDEX <b>715-003</b></p>	<p>SHEET <b>4</b> 2 of 3</p>
<p>LAST REVISION <del>11/01/21</del> <b>11/01/24</b></p>	<p>REVISION</p>	<p>DESCRIPTION:</p>			





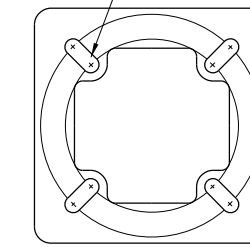
FOUNDATION DEPTHS		
Luminaire Mounting Height	≤ 40 Ft.	45-50 Ft.
Depth	8'-0"	9'-0"

**FOUNDATION NOTES:**

1. Depths shown are for slopes equal to or flatter than 1:4. For slopes steeper than 1:4 and equal to or flatter than 1:2 add 2'-6" to foundation depths shown.
2. Foundation Tie Bars: #4 Tie Bars @ 12" centers (max.) or D10 (or W10) spiral @ 6" pitch, 3 flat turns top and 1 flat turn bottom.
3. For precast foundations, the circular cross section shown may be substituted with an octagon shape. The out-to-out distance between parallel edges of the octagon must be ≥ 2'-6". Use the same reinforcing diameter and centered placement with a minimum 3" cover.

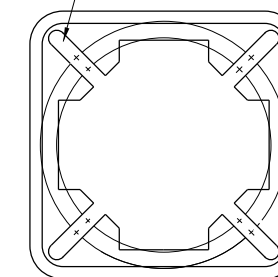
**SHAFT FOUNDATION ELEVATION**

Slots for Cast Aluminum Base Shoe 13 1/2" Bolt Circle

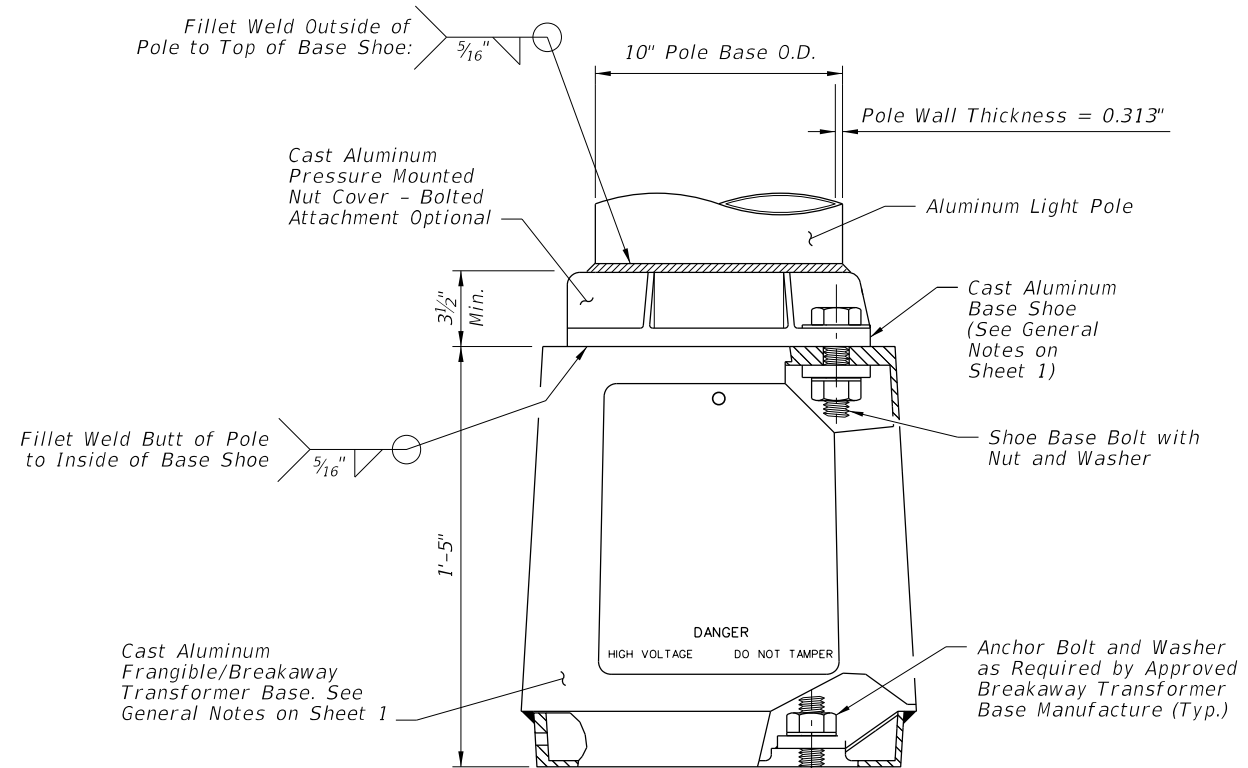


**TOP VIEW TRANSFORMER BASE**

Slots for 15" Bolt Circle



**BOTTOM VIEW TRANSFORMER BASE**



**POLE BASE ELEVATION**

**SHAFT FOUNDATION OPTION**  
~~FOUNDATION~~ AND BASE DETAILS

10/4/2023 6:56:42 AM

LAST REVISION	DESCRIPTION:
11/01/23	
11/01/24	



2025-26

FY ~~2024-25~~  
STANDARD PLANS

UTILITY CONFLICT POLE

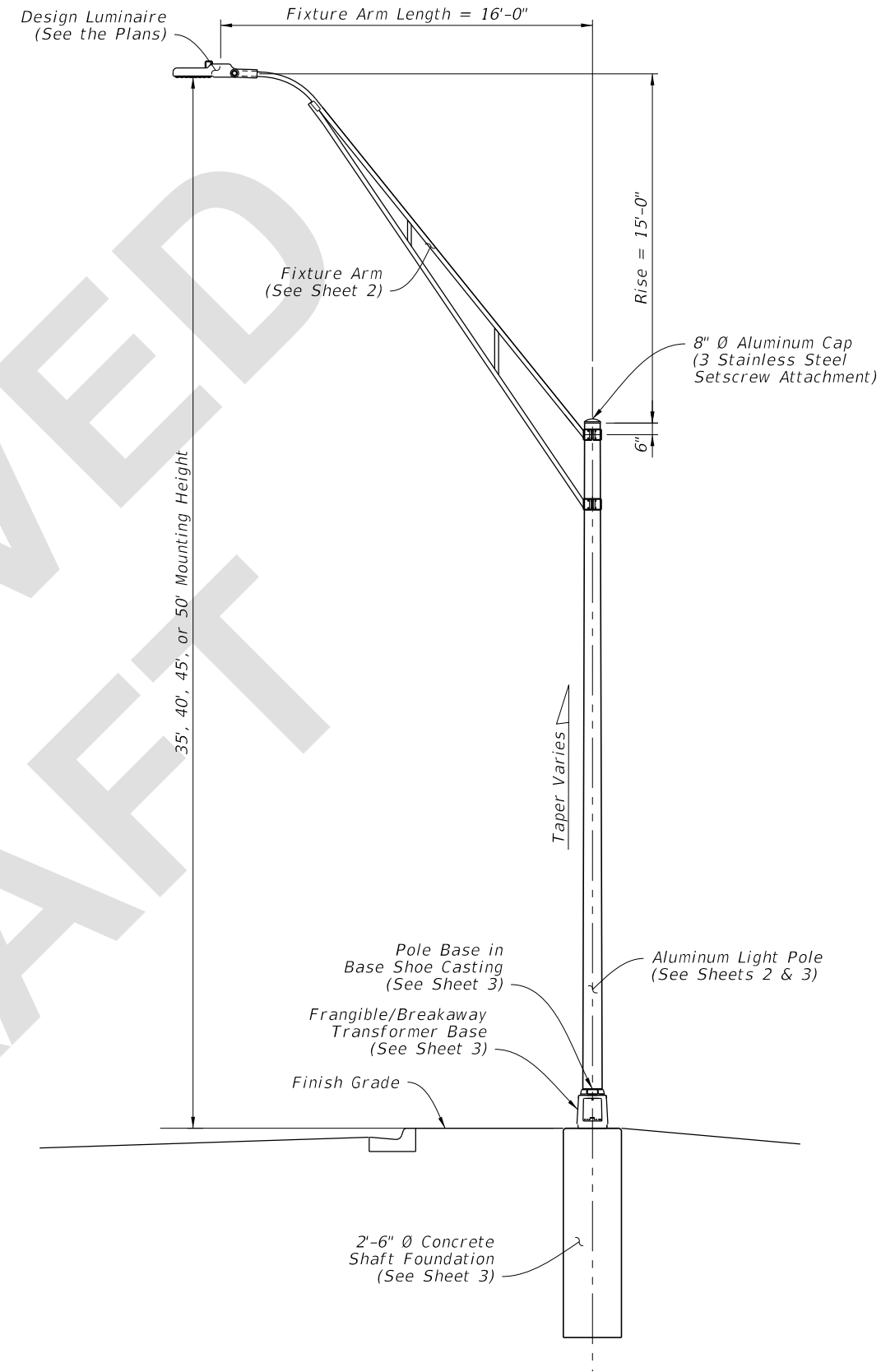
INDEX  
715-003

SHEET **4**  
3 of 3

NEW SHEET 4  
SPREAD FOOTING FOUNDATION OPTION


**GENERAL NOTES:**

1. LUMINAIRE LOAD: Poles are designed to support the following:
  - A. Luminaire Effective Projected Area (EPA): 1.55 SF
  - B. Luminaire Weight: 75 lb.
2. SHOP DRAWINGS: This Index is considered fully detailed; only submit shop drawings for minor modifications not included in the Plans.
3. MATERIALS:
  - A. Pole, Arm Tubes, Strut Tubes, Bars, Plates, Stiffeners: ASTM B221, Alloy 6063-T6 or Alloy 6061-T6
  - B. Pole Connection Extrusion Clamp: ASTM B221, Alloy 6061-T6
  - C. Caps and Covers: ASTM B-26, Alloy 319-F
  - D. Aluminum Weld Material: ER 4043
  - E. Transformer and Frangible Base Materials: ASTM B26 or ASTM B108, Alloy 356-T6
  - F. Base Bolts, Nuts and Washers:
    - a. Shoe Base Bolts: ASTM F3125, Grade A325, Type 1
    - b. Nuts: ASTM A563 Grade DH Heavy-Hex
    - c. Washer: ASTM F436 Type 1
  - G. Anchor Bolts, Nuts, and Washers:
    - a. Anchor Bolts: ASTM F1554 Grade 55
    - b. Nuts: ASTM A563 Grade A Heavy-Hex
  - H. Clamp Hardware: See Sheet 2
  - I. Stainless Steel Cap Fasteners: ASTM F593 Alloy Group 2, Condition A, CW1 or SH1
  - J. Nut Covers: ASTM B26 (319-F)
  - K. Concrete: Class II
  - L. Reinforcing Steel: Specification 415
4. FABRICATION:
  - A. Weld Arm and Pole Alloy in the T4 temper using 4043 filler. Age the Arm and Pole artificially to the T6 temper after welding.
  - B. Transverse welds are only allowed at the base.
  - C. Light Pole Properties: Taper as required to provide a round top O.D. of 8" and a base O.D. of 10" for all pole heights. Portions of the pole near the base shoe and at the arm connections may be held constant to simplify fabrication. Maintain pole wall thickness of 0.313" Min.
  - D. Fixture Arm Tube Properties: See Sheet 2.
  - E. Provide 'J', 'S' or 'C' hook at top of pole for electrical wires.
  - F. Perform all welding in accordance with AWS D1.2.
  - G. Identification Tag: (Submit details for approval.)
    - a. 2" x 4" (Max.) aluminum identification tag.
    - b. Locate on the inside of the transformer base and visible from the door opening.
    - c. Secure to transformer base with 1/8" diameter stainless steel rivets or screws.
    - d. Include the following information on the ID Tag:
      1. Financial Project ID
      2. Pole Height
      3. Manufacturer's Name
5. COATINGS/FINISH:
  - A. Pole and Arm Finish: 50 grit satin rubbed.
  - B. Galvanize Steel Bolts, Screws, Nuts and Washers: ASTM F2329
  - C. Hot Dip Galvanize miscellaneous steel items: ASTM A123
6. CONSTRUCTION:
  - A. Foundation: Specification 455, except payment for the foundation is included in the cost of the pole.
  - B. Frangible Base, Base Shoe, and Pole Connection Extrusion Clamp:
    - a. Certify that the Pole Connection Extrusion Clamp, Frangible Transformer Base, and Base Shoe Design are capable of providing the required capacity, assuming a design wind speed of 160 MPH.
    - b. Certify the Base conforms to the FHWA required AASHTO Frangibility Requirements, tested under NCHRP Report 350 Guidelines (e.g. Akron Foundry TB1-17).
    - c. Do not erect pole without Luminaire attached.



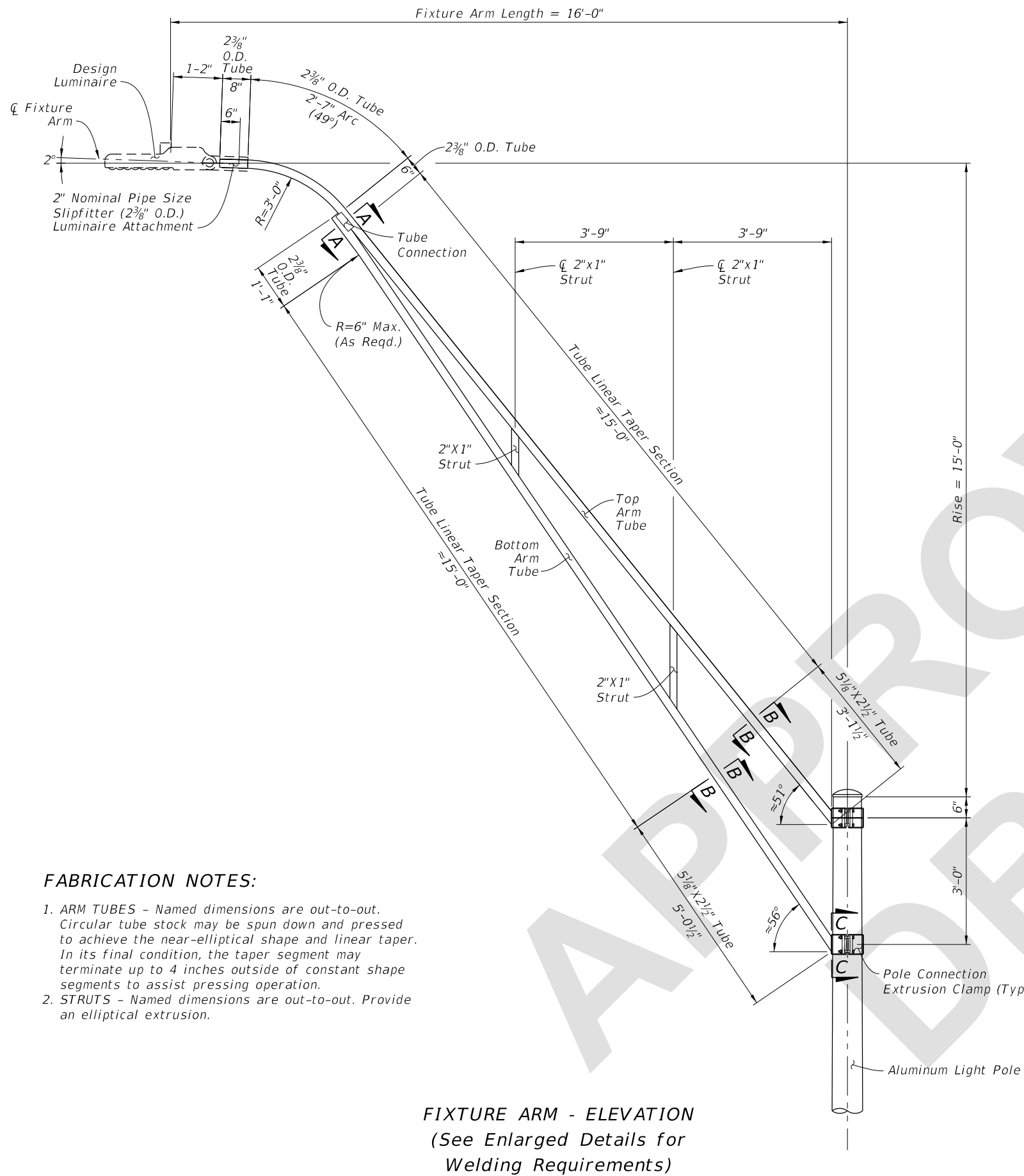
**LIGHT POLE - ELEVATION**  
 (Shaft Foundation Shown,  
 Spread Footing Foundation Similar)

6/20/2024 1:54:28 PM

LAST REVISION 11/01/24	REVISION	DESCRIPTION:	 <b>FY 2025-26          STANDARD PLANS</b>	<b>UTILITY CONFLICT POLE</b>	INDEX <b>715-003</b>	SHEET <b>1 of 4</b>
---------------------------	----------	--------------	--	------------------------------	-------------------------	------------------------



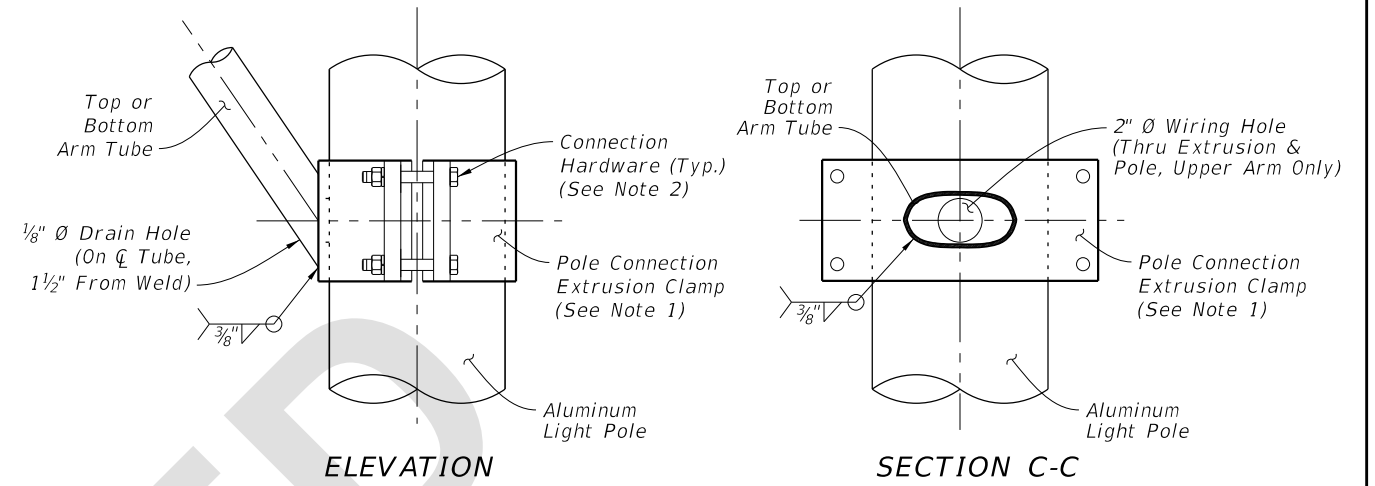
6/20/2024 1:54:33 PM



**FIXTURE ARM - ELEVATION**  
(See Enlarged Details for Welding Requirements)

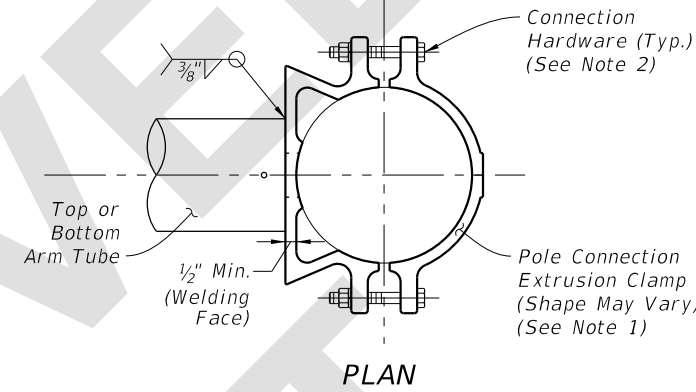
**FABRICATION NOTES:**

1. **ARM TUBES** - Named dimensions are out-to-out. Circular tube stock may be spun down and pressed to achieve the near-elliptical shape and linear taper. In its final condition, the taper segment may terminate up to 4 inches outside of constant shape segments to assist pressing operation.
2. **STRUTS** - Named dimensions are out-to-out. Provide an elliptical extrusion.

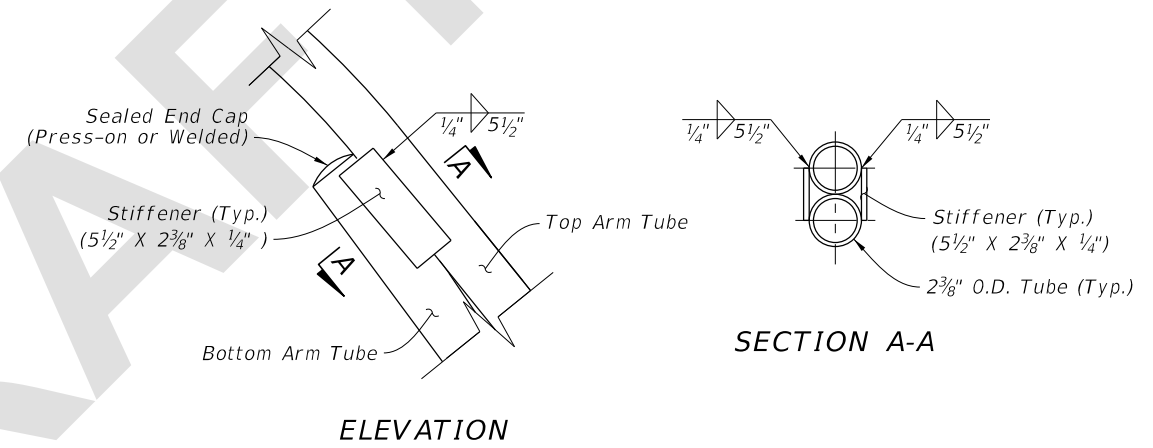


**POLE CONNECTION NOTES:**

1. The Pole Connection Extrusion Clamp shown may vary by manufacturer. Provide a design that meets the requirements of General Note 6.B.a., including the connection hardware sizing.
2. Provide connection hardware with 13NC AISI Grade 316 stainless steel 1/2" min. bolts, nuts, and spring lock washers. Use flat washers per ASTM F593G & F594G, Alloy Group 2, Condition CW1.



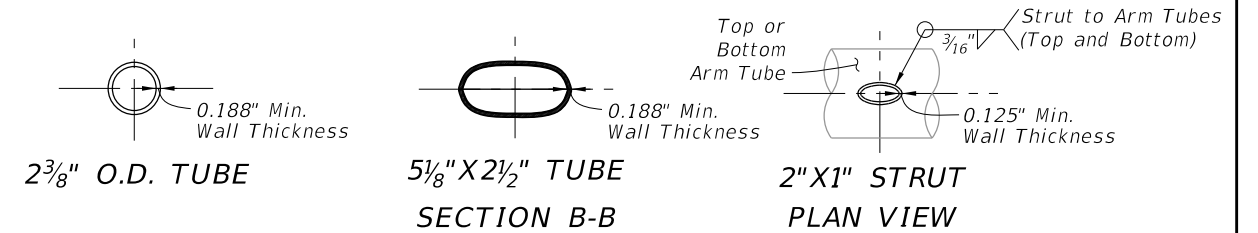
**POLE CONNECTION DETAILS**



**ELEVATION**

**SECTION A-A**

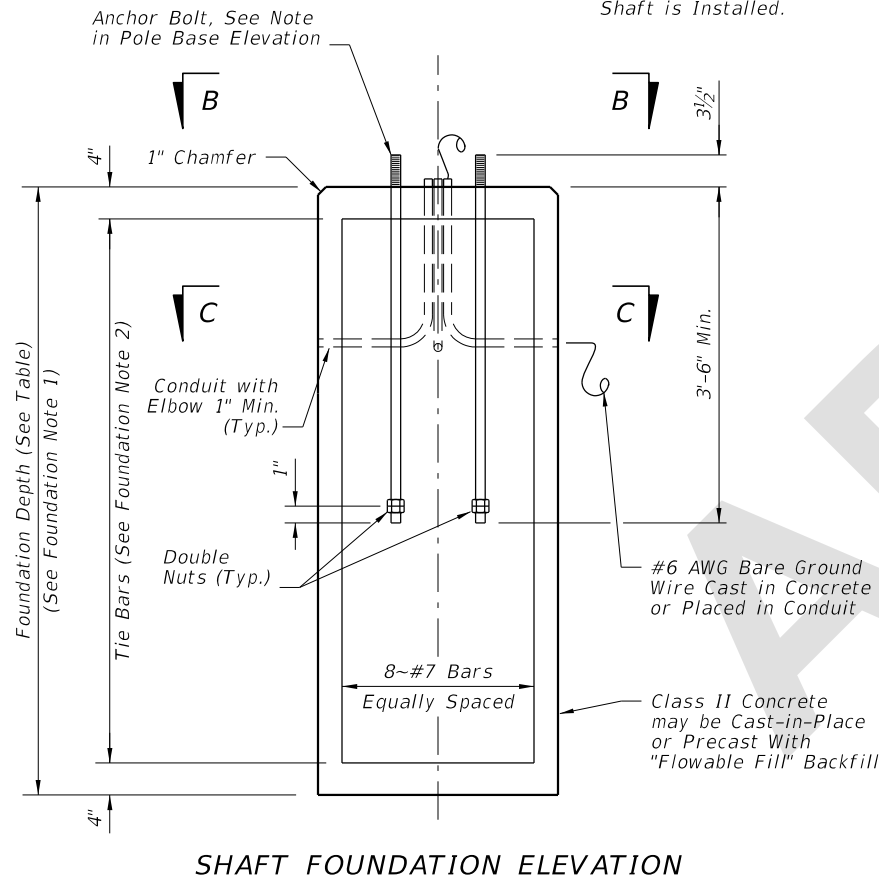
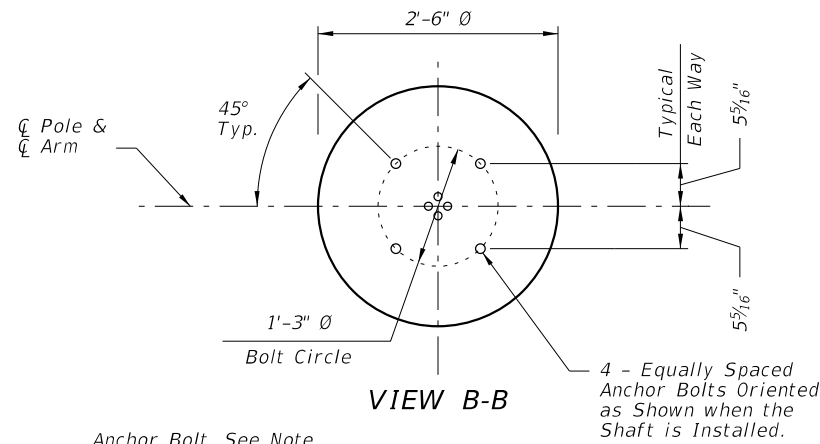
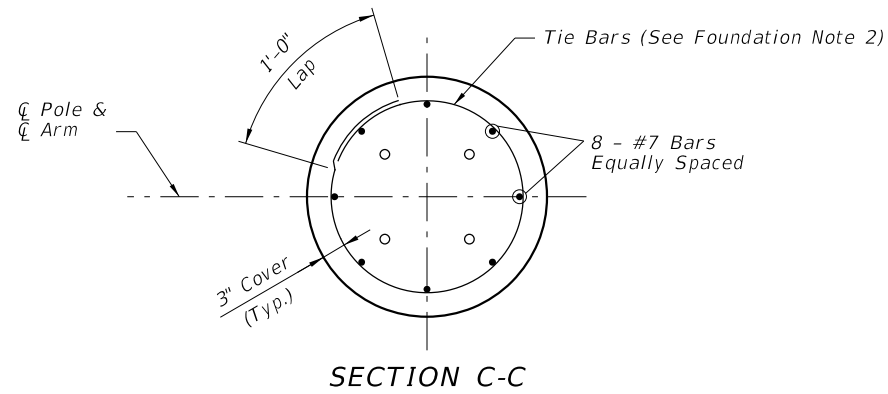
**TUBE CONNECTION DETAILS**



**TUBE SECTION DETAILS**

**FIXTURE ARM ASSEMBLY**

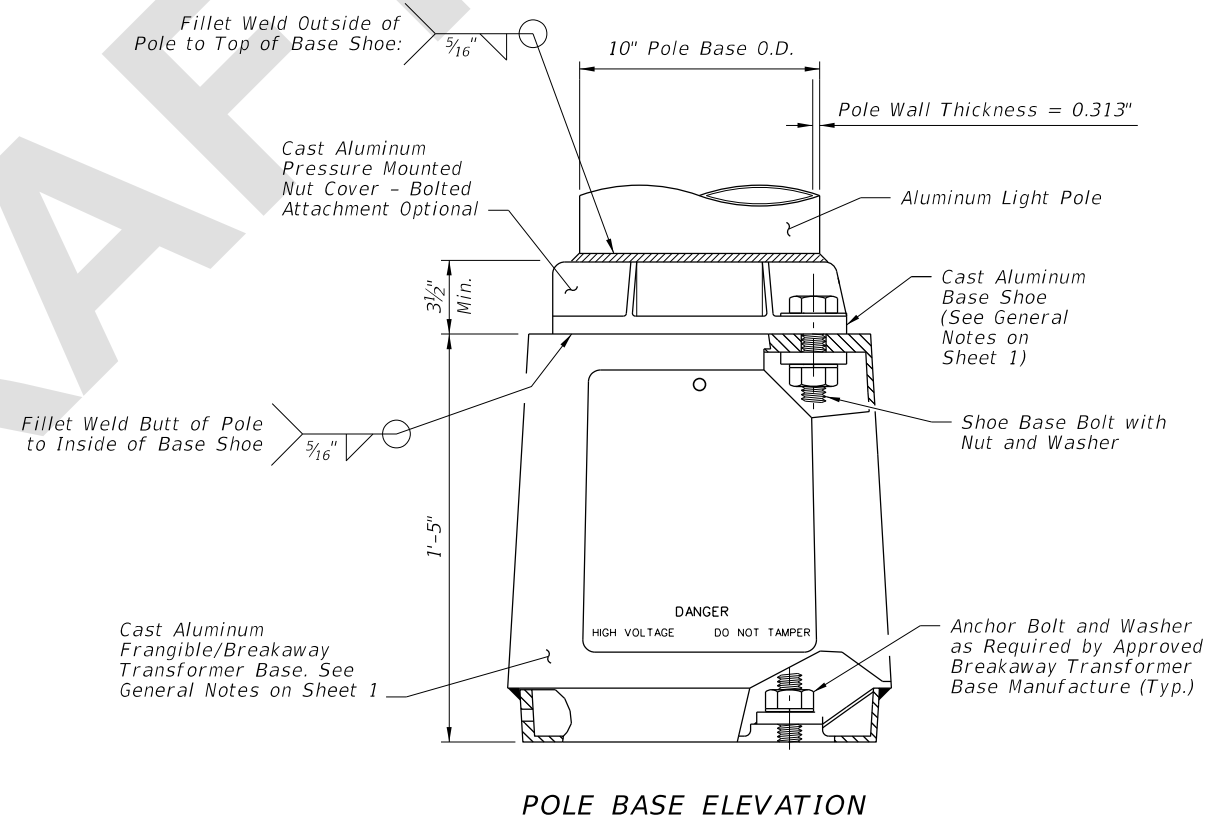
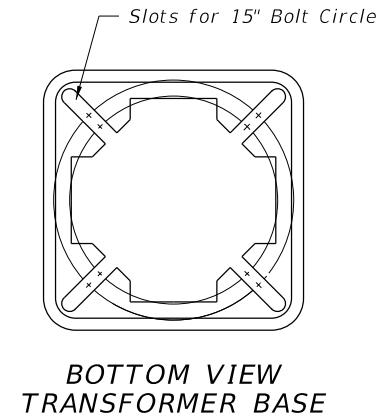
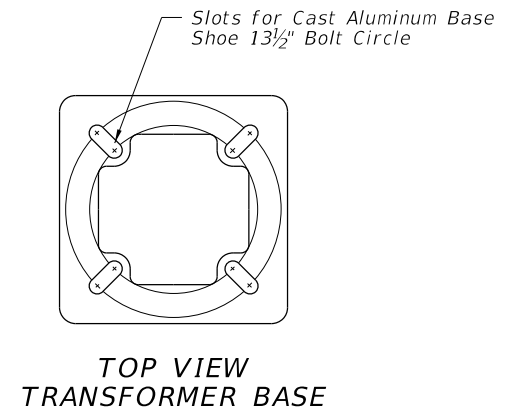
LAST REVISION 11/01/24	DESCRIPTION:
---------------------------	--------------



FOUNDATION DEPTHS		
Luminaire Mounting Height	≤ 40 Ft.	45-50 Ft.
Depth	8'-0"	9'-0"

**FOUNDATION NOTES:**

1. Depths shown are for slopes equal to or flatter than 1:4. For slopes steeper than 1:4 and equal to or flatter than 1:2 add 2'-6" to foundation depths shown.
2. Foundation Tie Bars: #4 Tie Bars @ 12" centers (max.) or D10 (or W10) spiral @ 6" pitch, 3 flat turns top and 1 flat turn bottom.
3. For precast foundations, the circular cross section shown may be substituted with an octagon shape. The out-to-out distance between parallel edges of the octagon must be ≥ 2'-6". Use the same reinforcing diameter and centered placement with a minimum 3" cover.

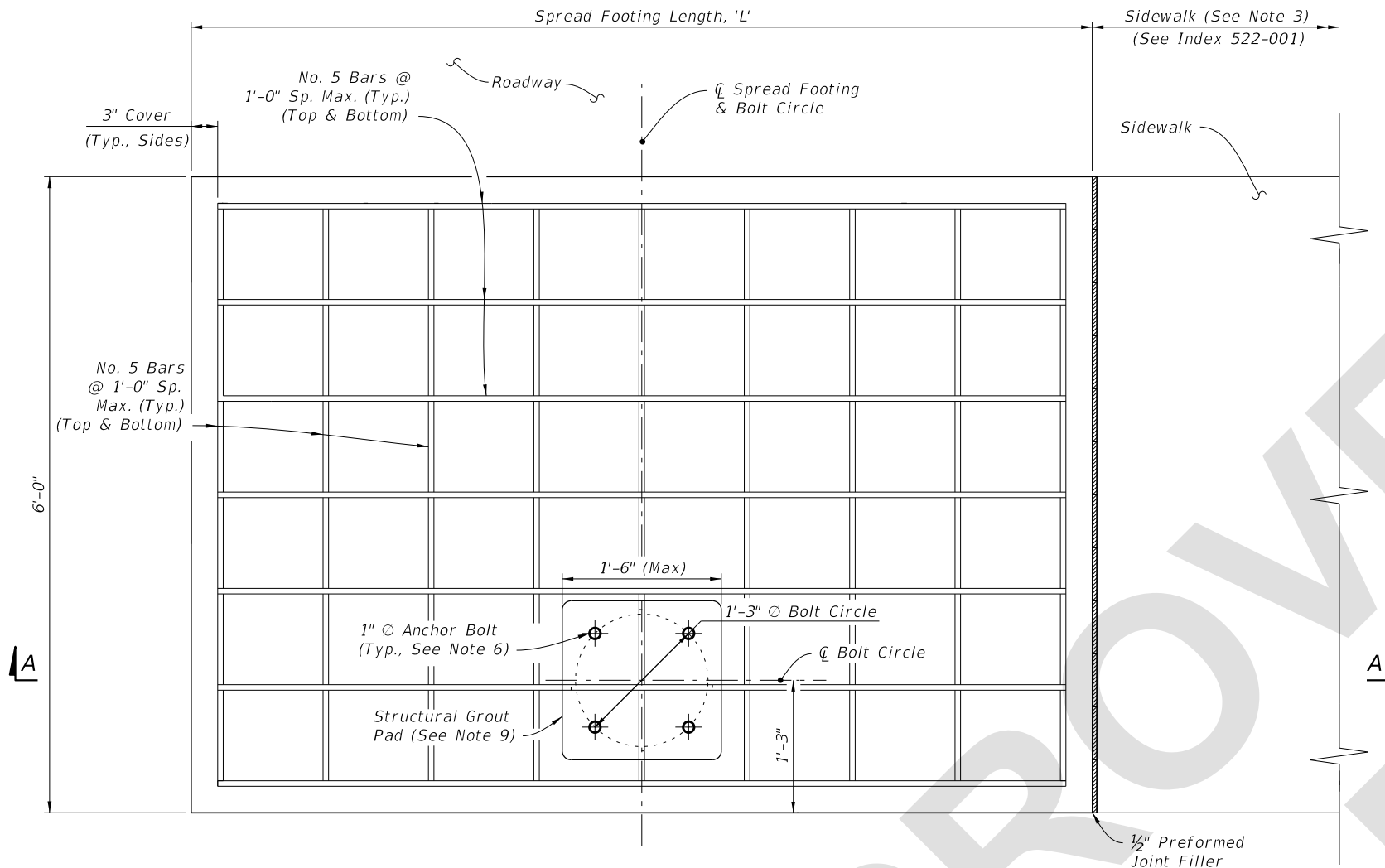


**SHAFT FOUNDATION OPTION AND BASE DETAILS**

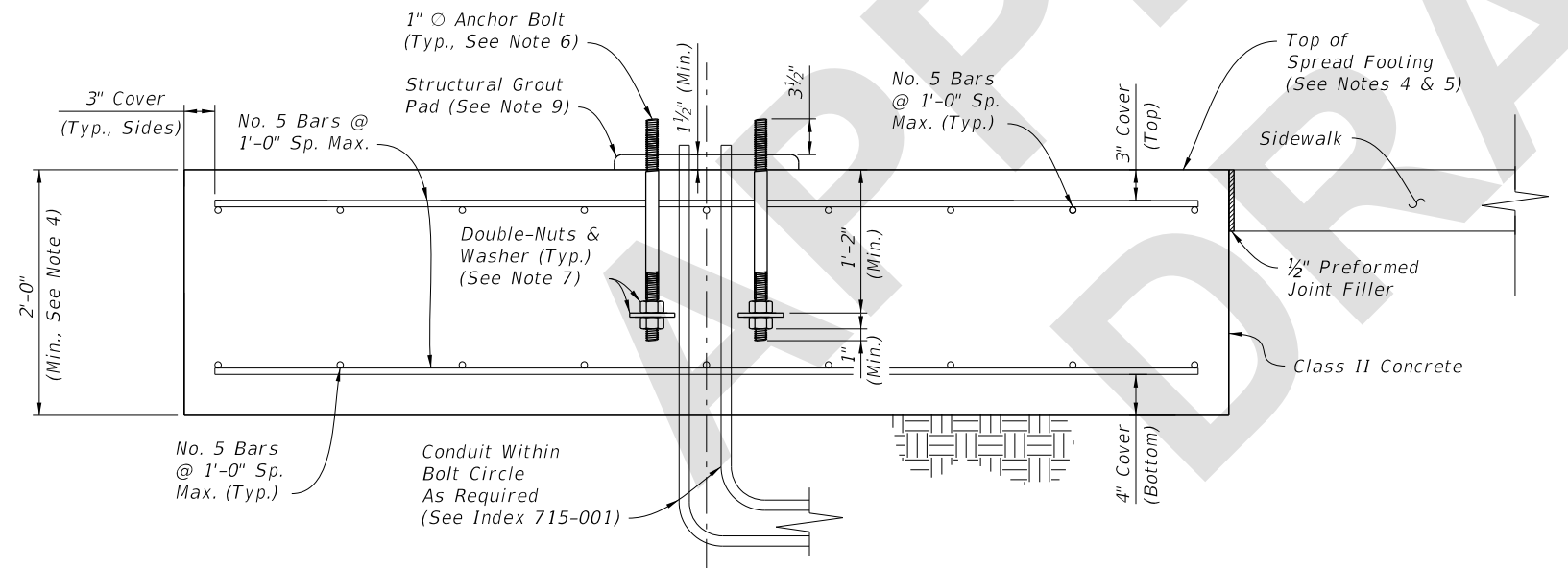
6/20/2024 2:43:22 PM

LAST REVISION 11/01/24	DESCRIPTION:	FDOT FY 2025-26 STANDARD PLANS	UTILITY CONFLICT POLE	INDEX 715-003	SHEET 3 of 4
---------------------------	--------------	--------------------------------------	-----------------------	------------------	-----------------





PLAN - SPREAD FOOTING FOUNDATION



SECTION A-A - SPREAD FOOTING FOUNDATION ELEVATION

SPREAD FOOTING LENGTH, 'L'			
Mounting Height (Ft.)	Wind Speed (All Arm Lengths)		
	120 mph	140 mph	160 mph
20	4'-6"	5'-0"	6'-0"
25	4'-6"	5'-0"	6'-0"
30	7'-0"	7'-0"	7'-0"
35	7'-0"	7'-0"	7'-0"
40	7'-0"	7'-0"	10'-0"
45	8'-6"	10'-0"	10'-0"
50	8'-6"	10'-0"	11'-6"

NOTES:

1. Install the Spread Footing Foundation Option only where called for in the Plans.
2. The Spread Footing Foundation Option is only permitted for use with single arm light poles. The pole arm must be oriented towards the roadway side of the footing as shown.
3. Sidewalk placed on the other side or both sides of the spread footing is permitted where shown in the Plans. The sidewalk connection to spread footing requires the 1/2" expansion joint shown regardless of the side.
4. The top of the spread footing must match the cross slope of the adjacent sidewalk where applicable per the Plans. The nominal bottom of the spread footing must remain level.
5. Apply concrete surface finish to the top of the spread footing in accordance with Specification 522-7.
6. Mount the anchor bolts plumb. For the corresponding pole base details, see Sheet 3.
7. Place galvanized or zinc-plated steel washers with a minimum thickness of 1/4". Use washers with a minimum size of 3 1/2" O round or 3"x3" square.
8. Where raised curb is called for in the Plans, provide a tooled cold joint with bond breaker between the foundation and back of raised curb. See Sheet 1 and the connection between concrete sidewalk and raised curb per Index 522-001.
9. Place a structural grout pad in accordance with Specification 934. The grout pad is square and centered on the bolt circle centerlines. Level the top of the grout pad and smooth the edges and corners per the approval of the Engineer. Install the transformer base in accordance with Sheet 3 and the manufacturer's specifications.

SPREAD FOOTING FOUNDATION OPTION

8/23/2024 12:05:06 PM